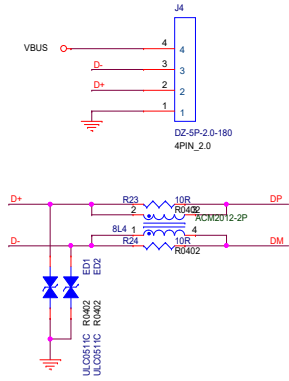
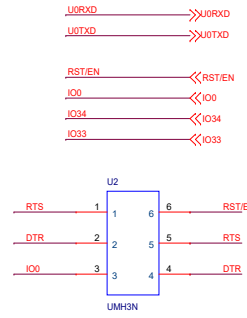
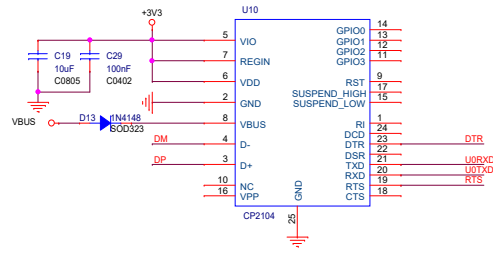


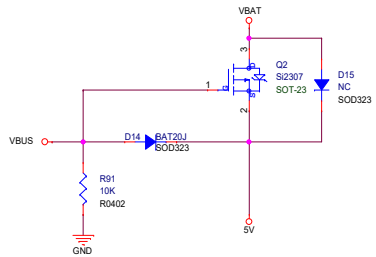
USB



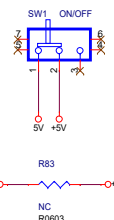
UART



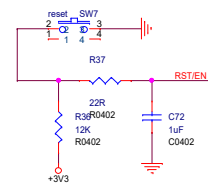
Power switching



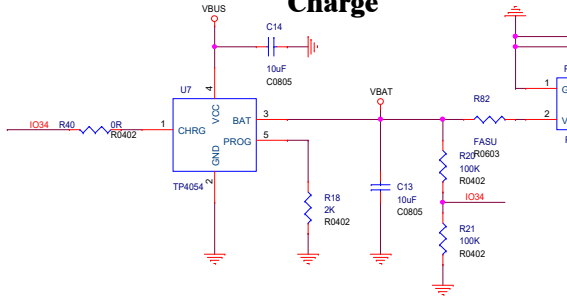
Power switch



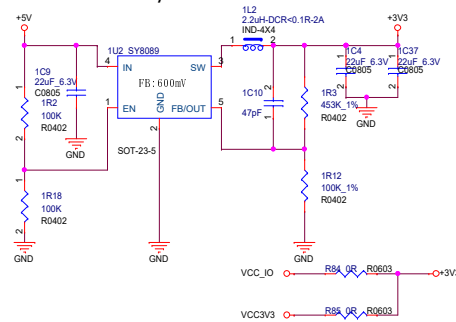
rst

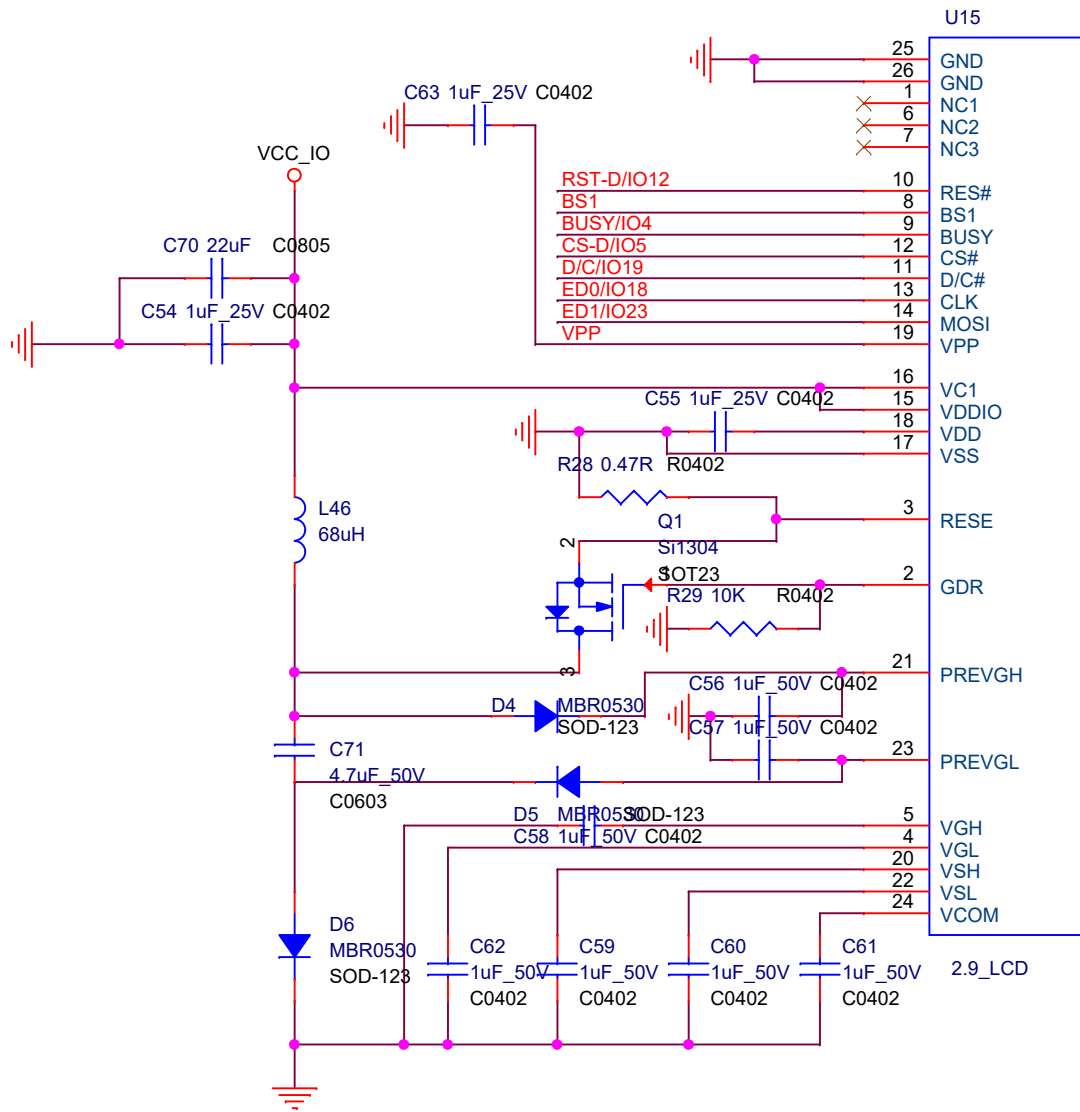


Charge



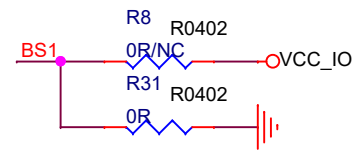
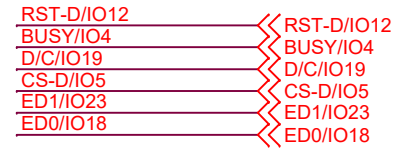
DC/DC



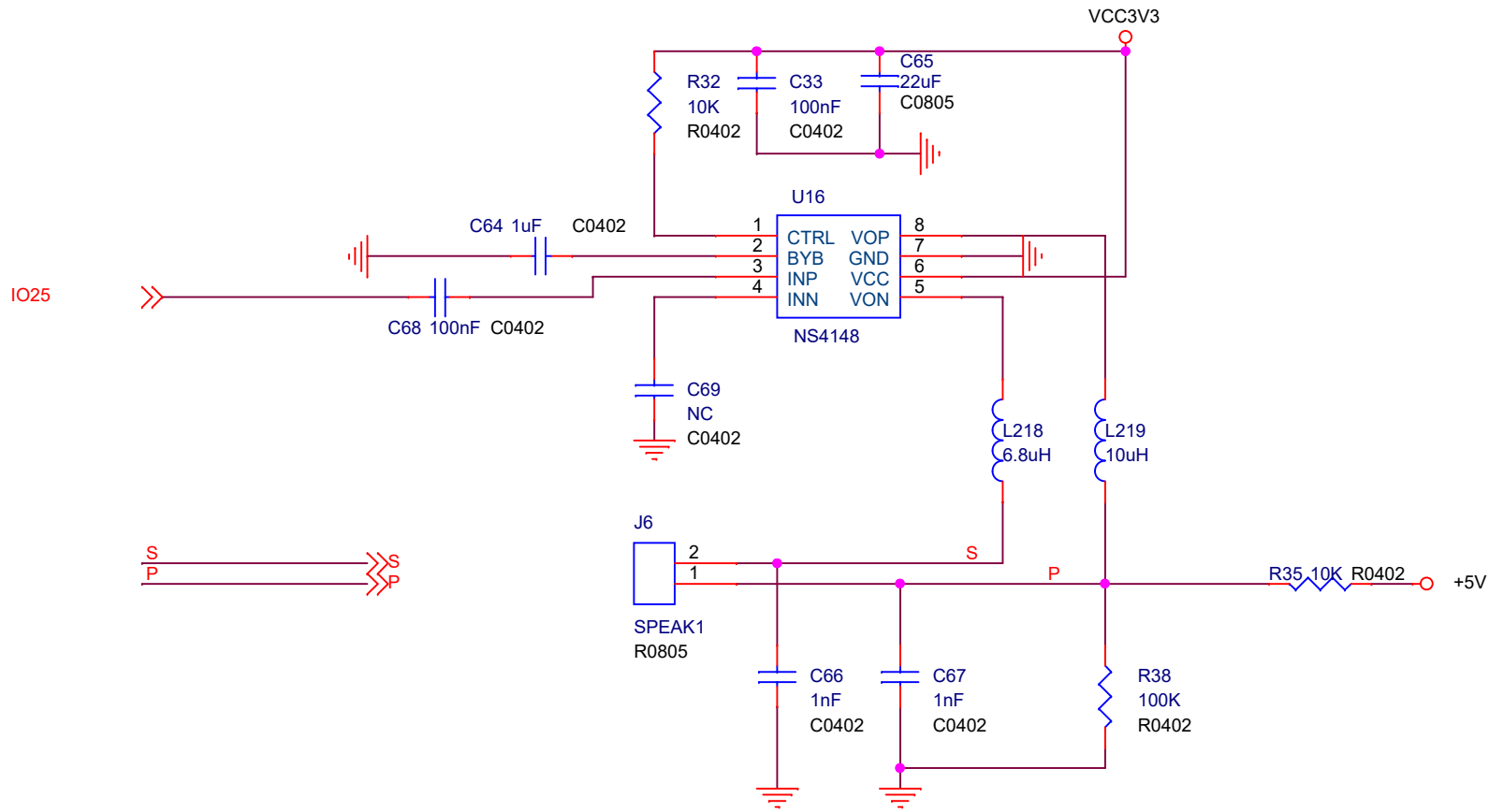


U15	
25	GND
26	GND
1	NC1
6	NC2
7	NC3
10	RES#
8	BS1
9	BUSY
12	CS#
11	D/C#
13	CLK
14	MOSI
19	VPP
16	VC1
15	VDDIO
18	VDD
17	VSS
3	RESE
2	GDR
21	PREVGH
23	PREVGL
5	VGH
4	VGL
20	VSH
22	VSL
24	VCOM

RST-D/IO12	10
BS1	8
BUSY/IO4	9
CS-D/IO5	12
D/C/IO19	11
ED0/IO18	13
ED1/IO23	14
VPP	19

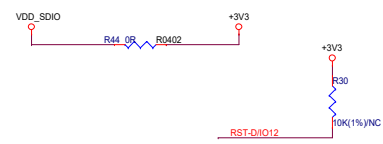
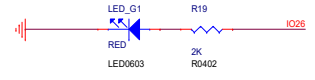
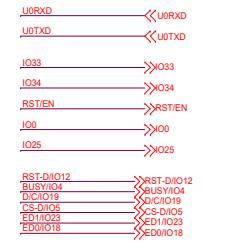
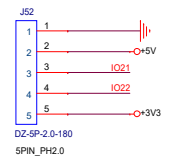
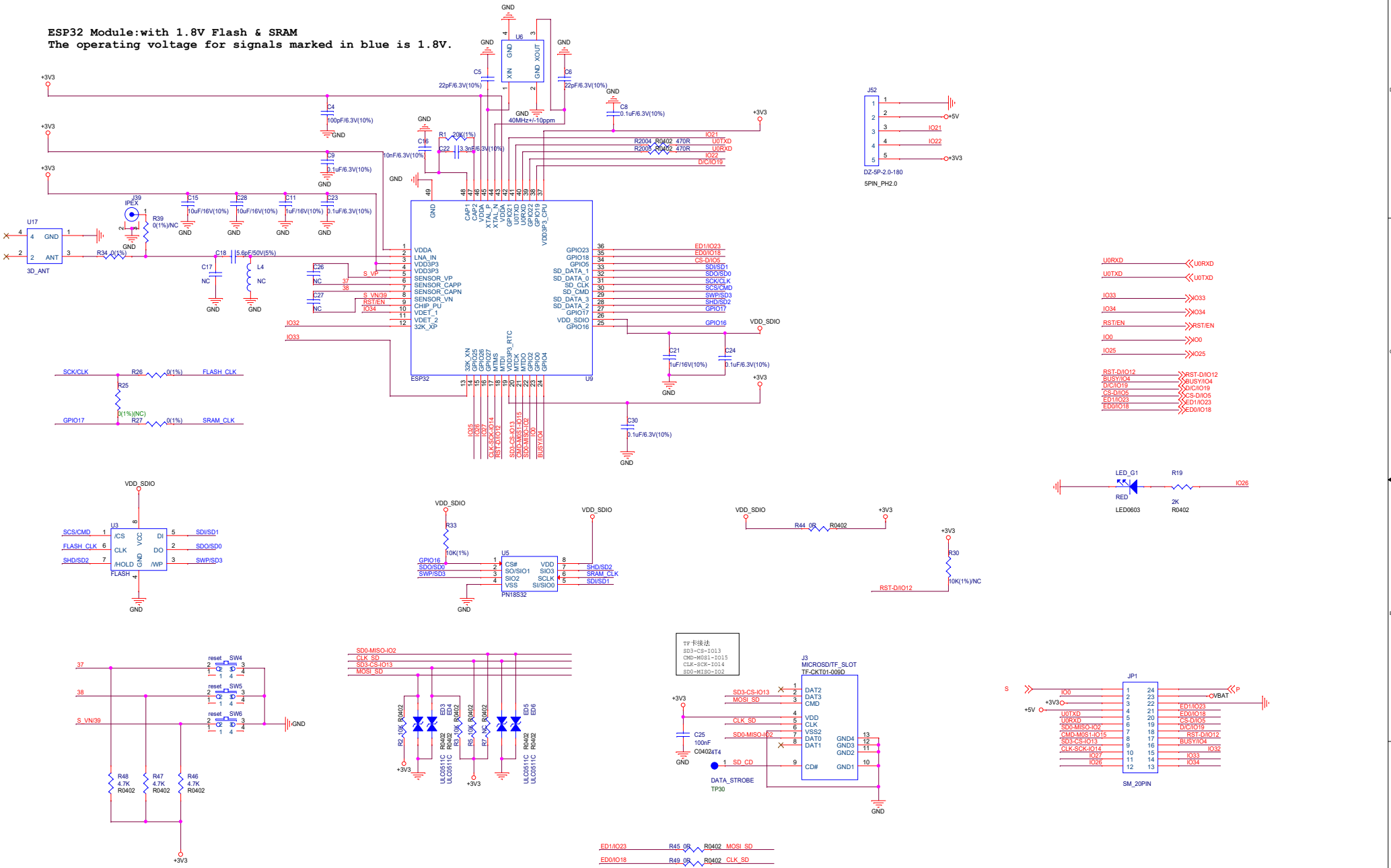


Title		
T5_V2.2_2.9		
Size	Document Number	Rev
A	2.9 Ink screen	V2.2
Date:	Thursday, May 30, 2019	Sheet 2 of 4



Title		
T5_V2.2_2.9		
Size	Document Number	Rev
A	audio codec	V2.2
Date:	Thursday, May 30, 2019	Sheet 3 of 4

ESP32 Module:with 1.8V Flash & SRAM
 The operating voltage for signals marked in blue is 1.8V.



TF卡接法
 SD3-CS-IO13
 CMD-MOSI-IO15
 CLK-SCK-IO14
 SD0-MISO-IO2

