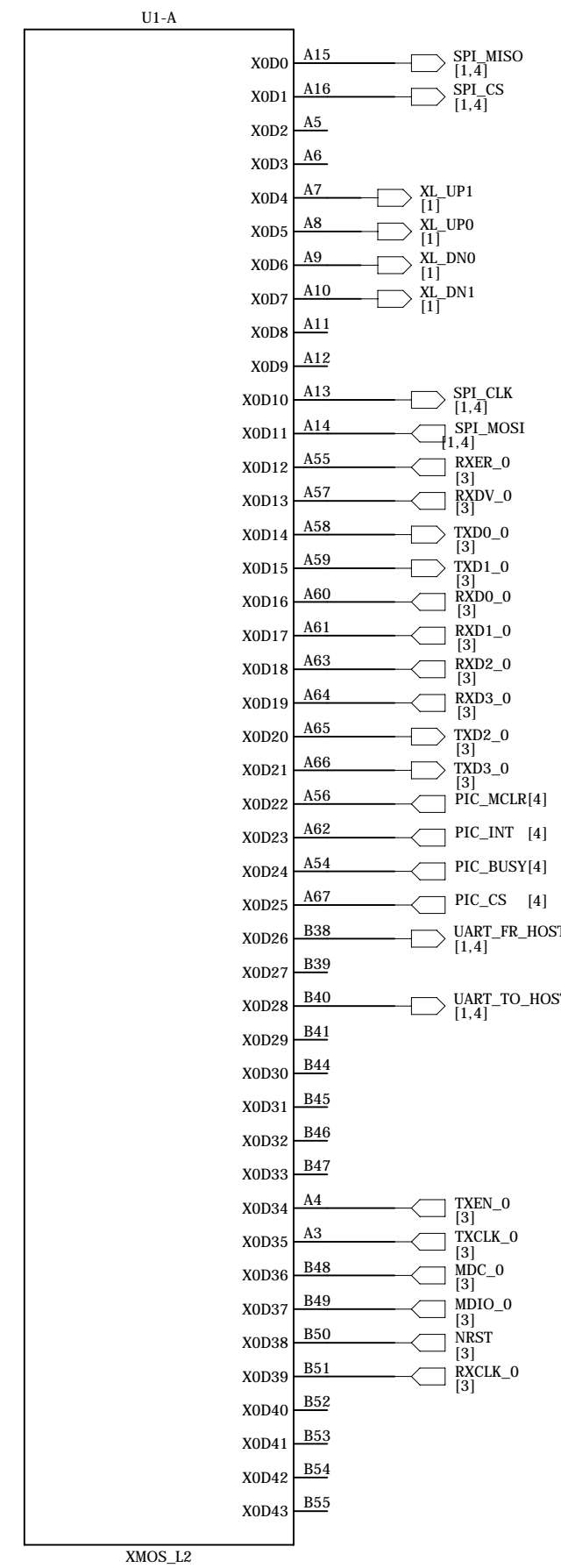
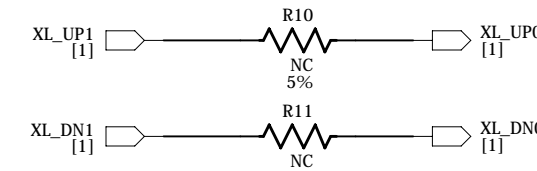


REVISION RECORD			
LTR	ECO NO.	APPROVED:	DATE:

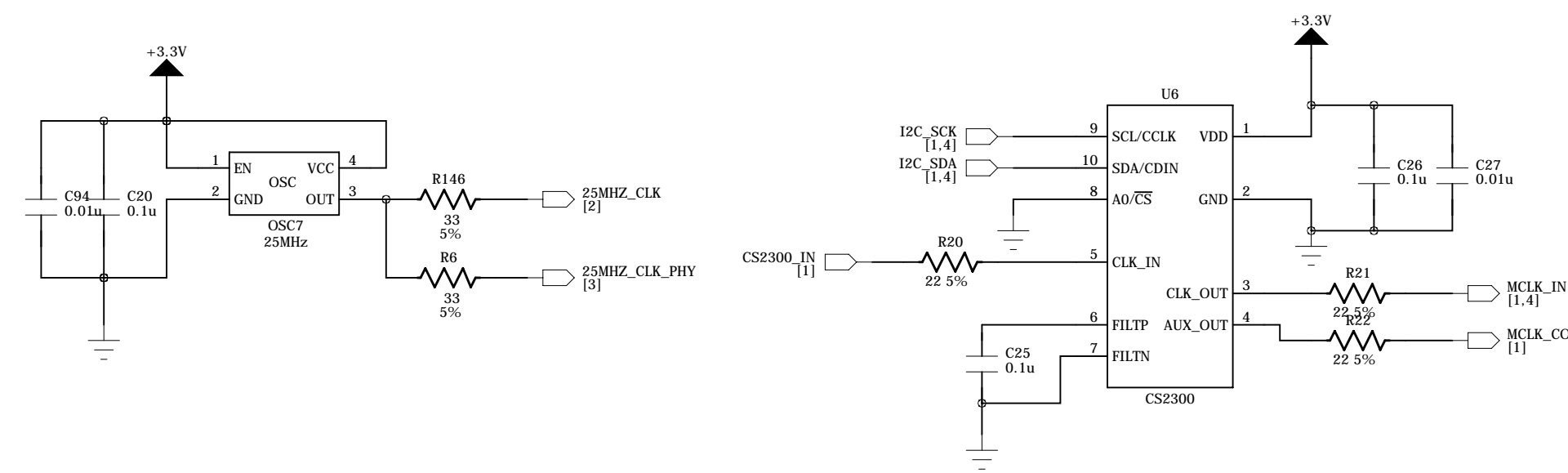
L16 TILE0



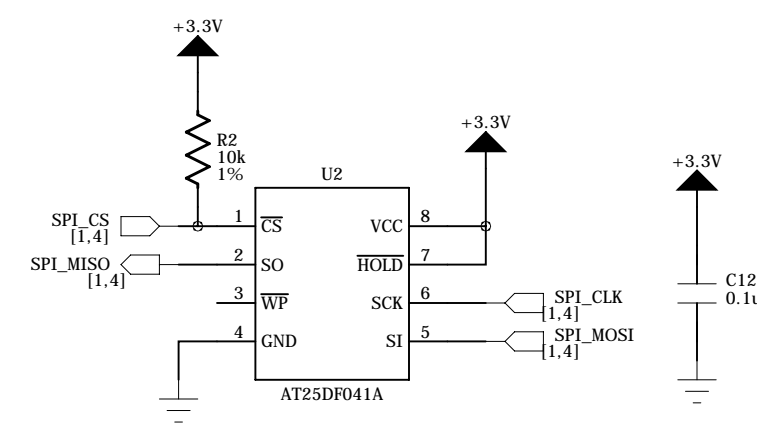
XLINK



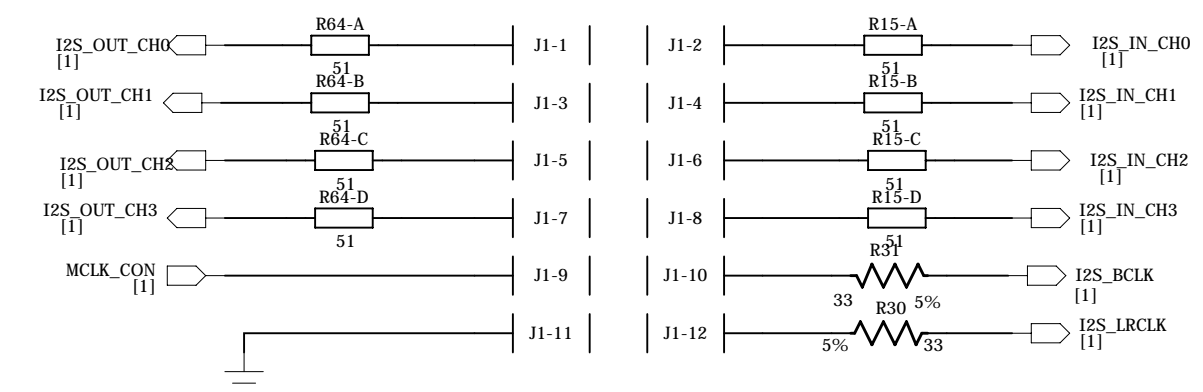
Clocking



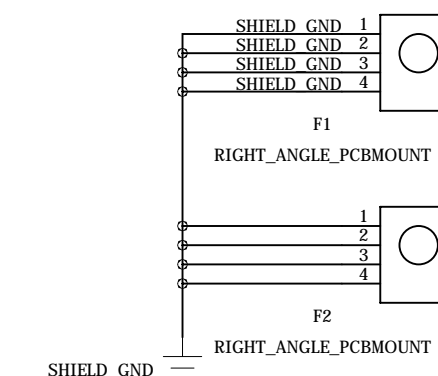
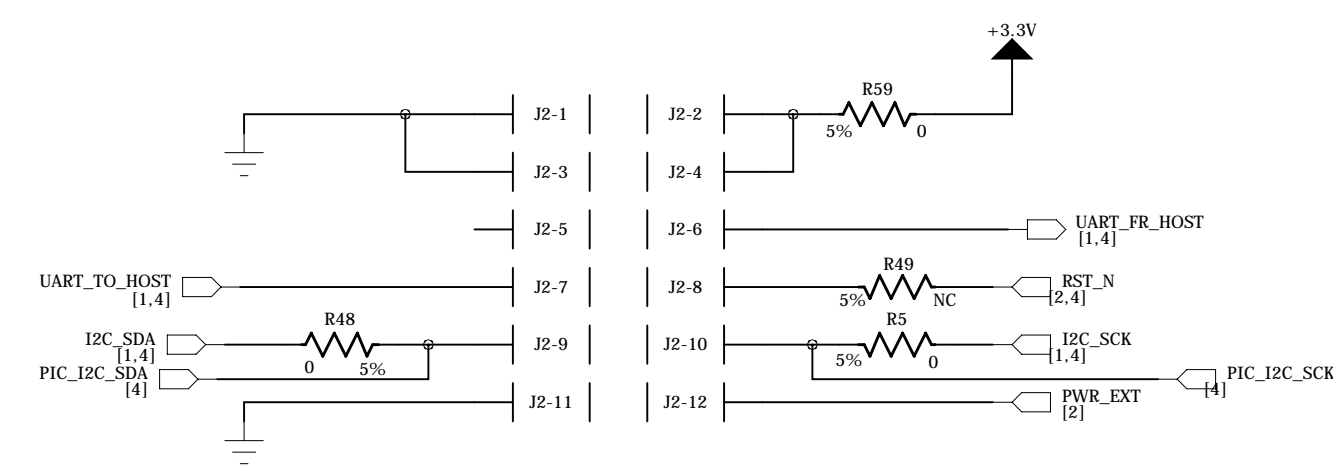
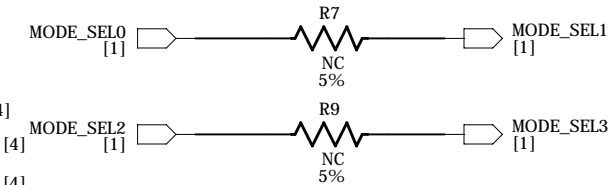
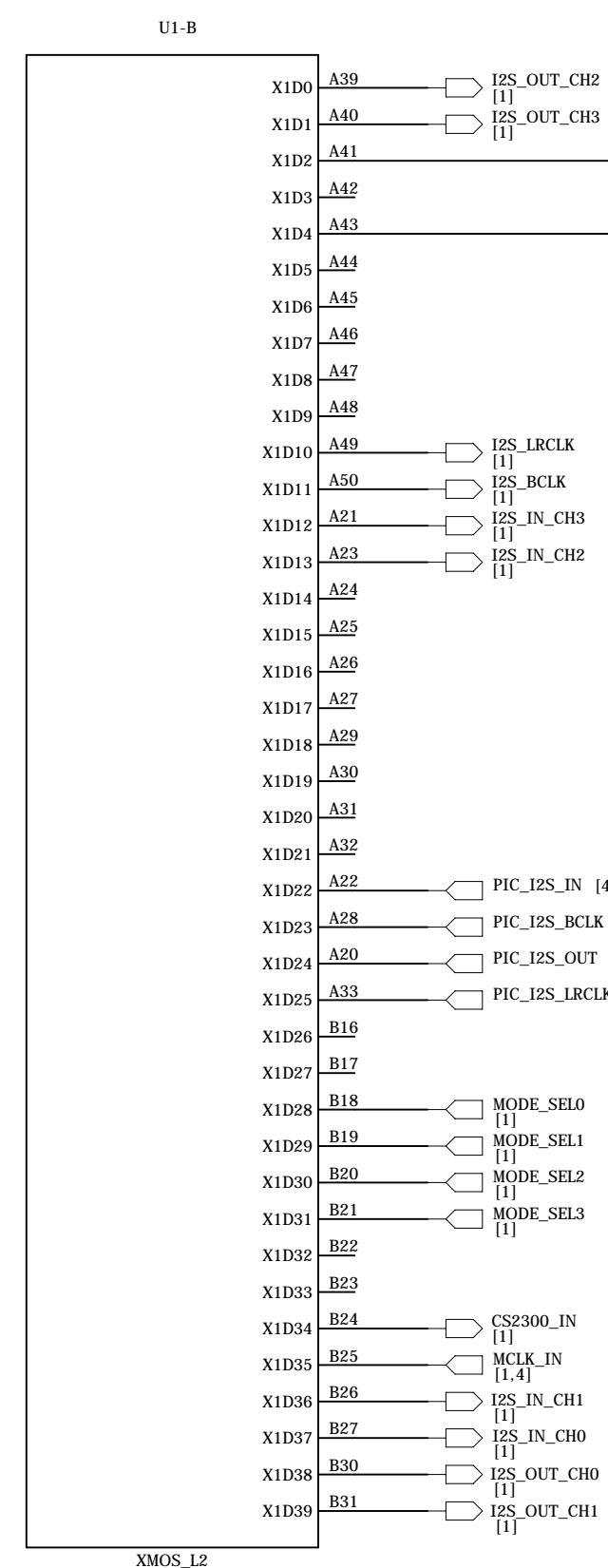
SPI Flash



Header for I2S Signal



L16 TILE1

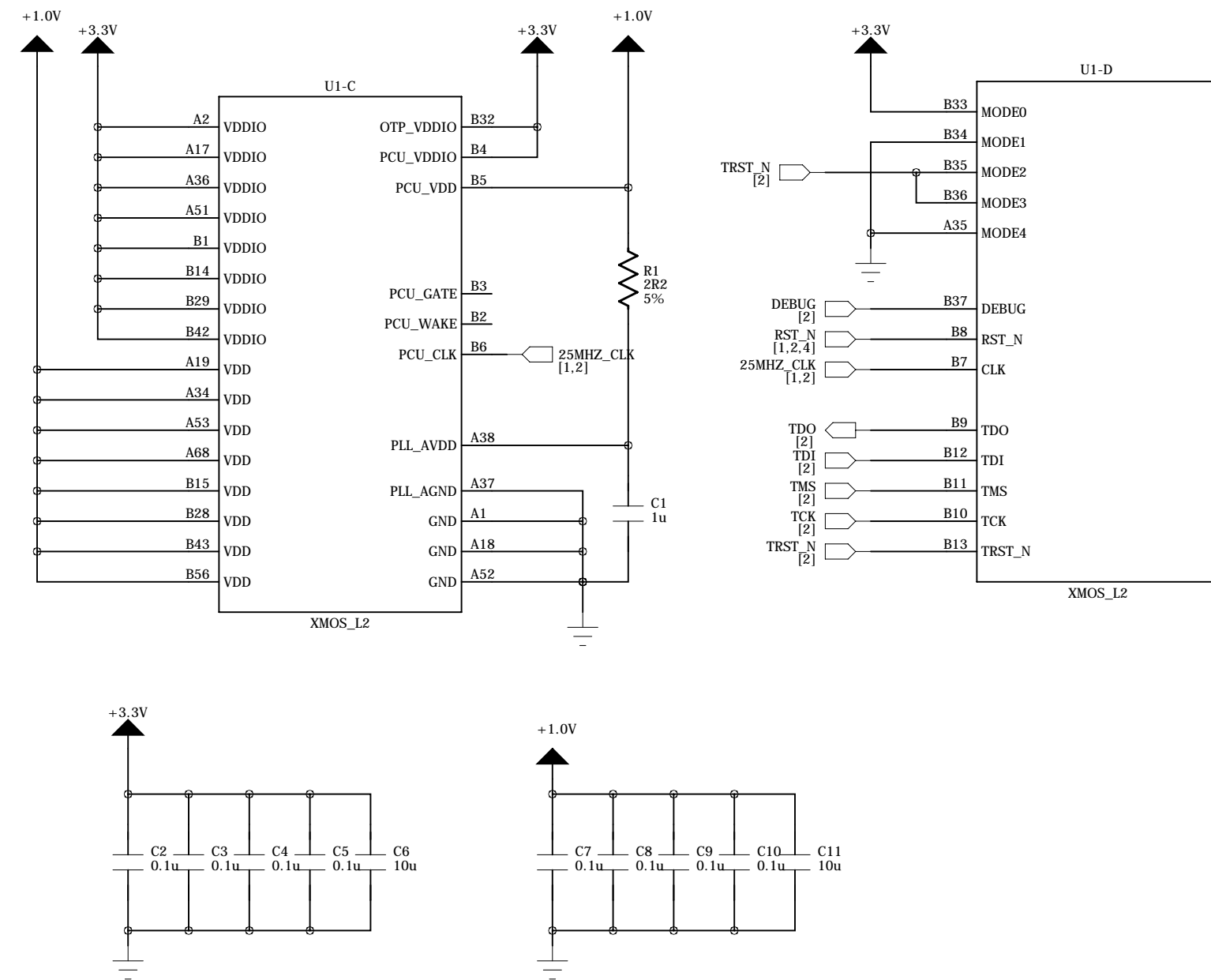


COMPANY: DSP4YOU/miniDSP

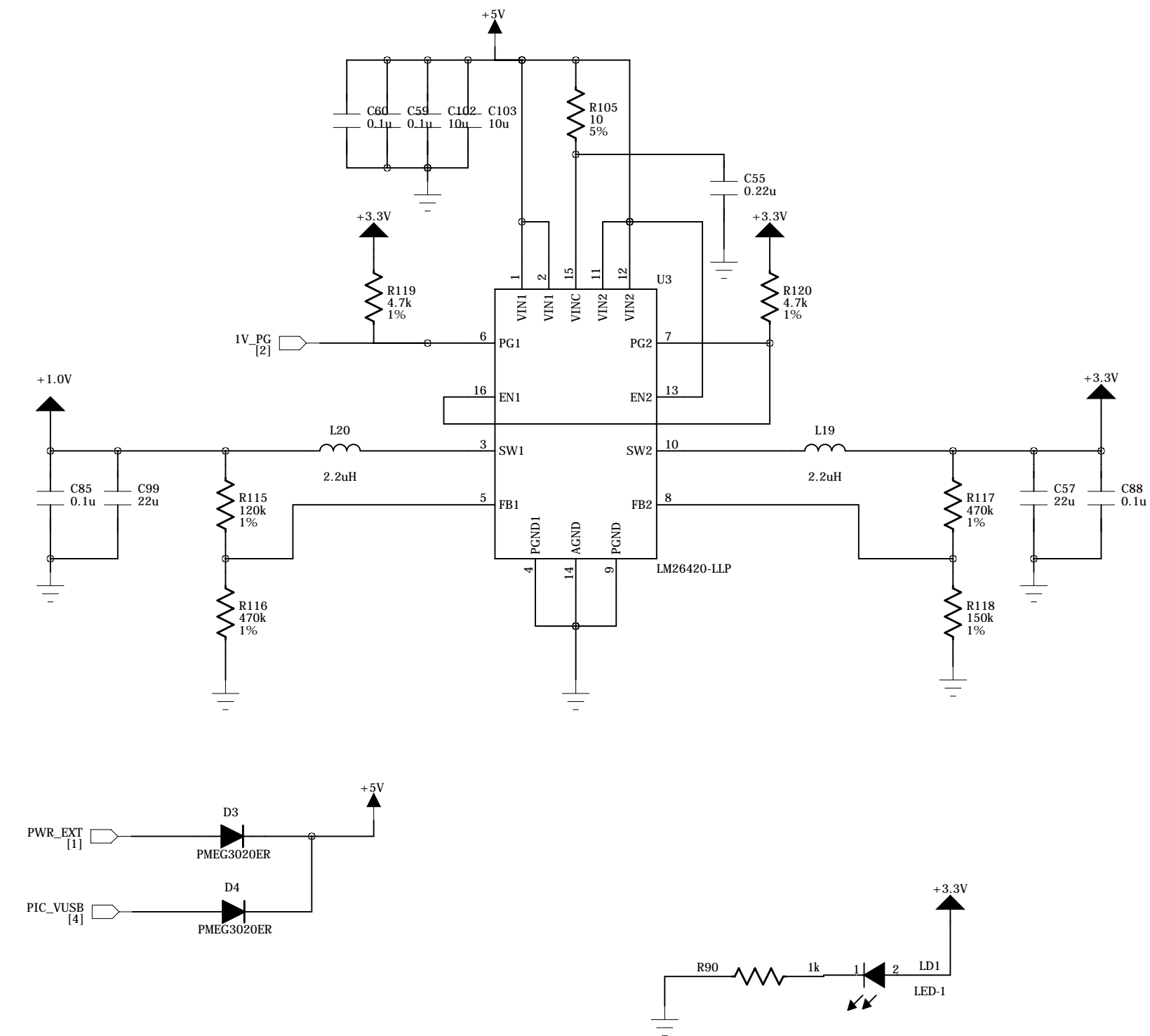
TITLE: AVB Dongle

DRAWN: <Drawn By>	DATED: <Drawn Date>	CODE: <Code>		
CHECKED: <Checked By>	DATED: <Checked Date>	SIZE:	DRAWING NO:	REV:
QUALITY CONTROL: <QC By>	DATED: <QC Date>	D <Drawing Number> Revision <Revision>		
RELEASED: <Released By>	DATED: <Release Date>	SCALE: <Scale>	SHEET: 1 OF 4	

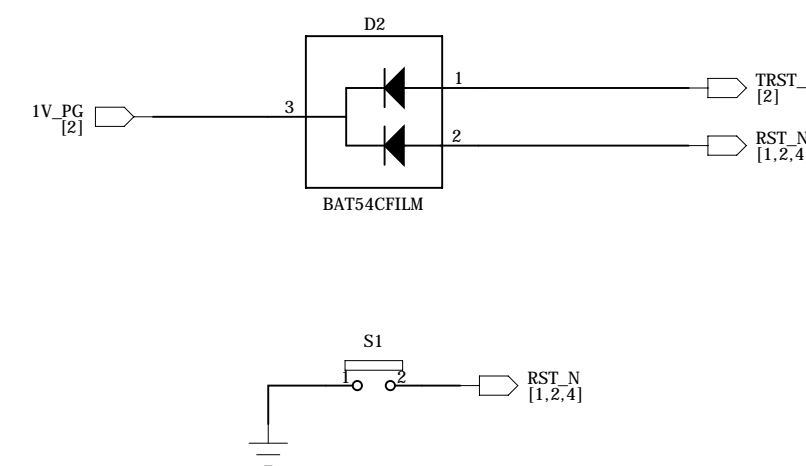
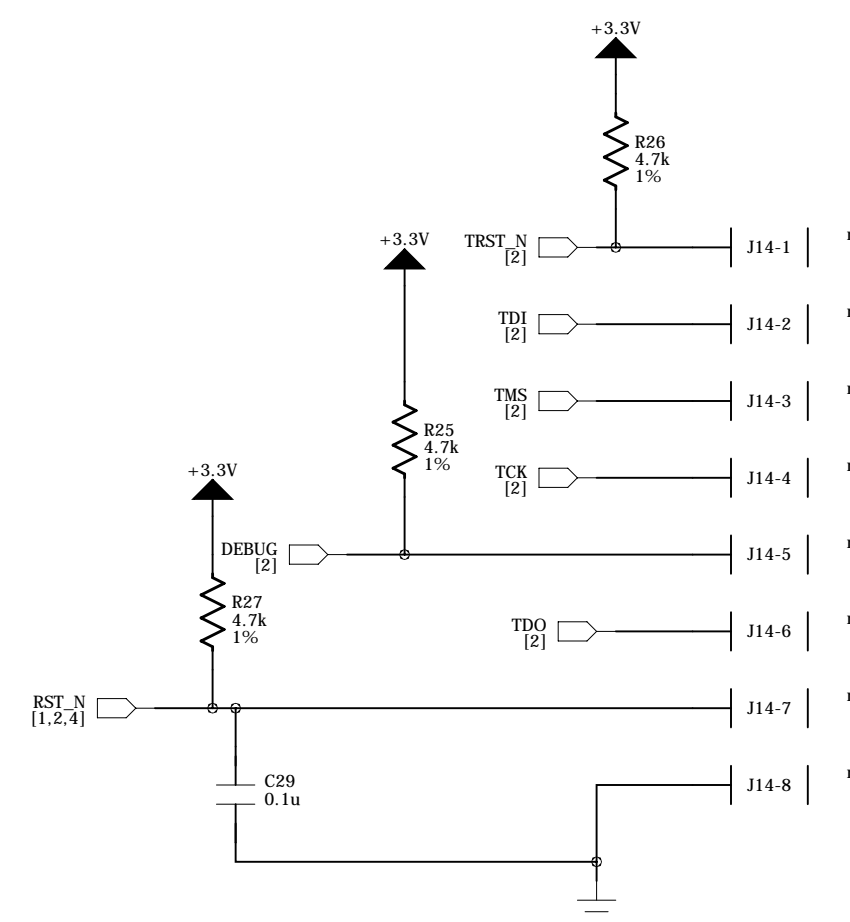
REVISION RECORD			
LTR	ECO NO.	APPROVED:	DATE:



DUAL STEP-DOWN (MAX. Input 5.5V)



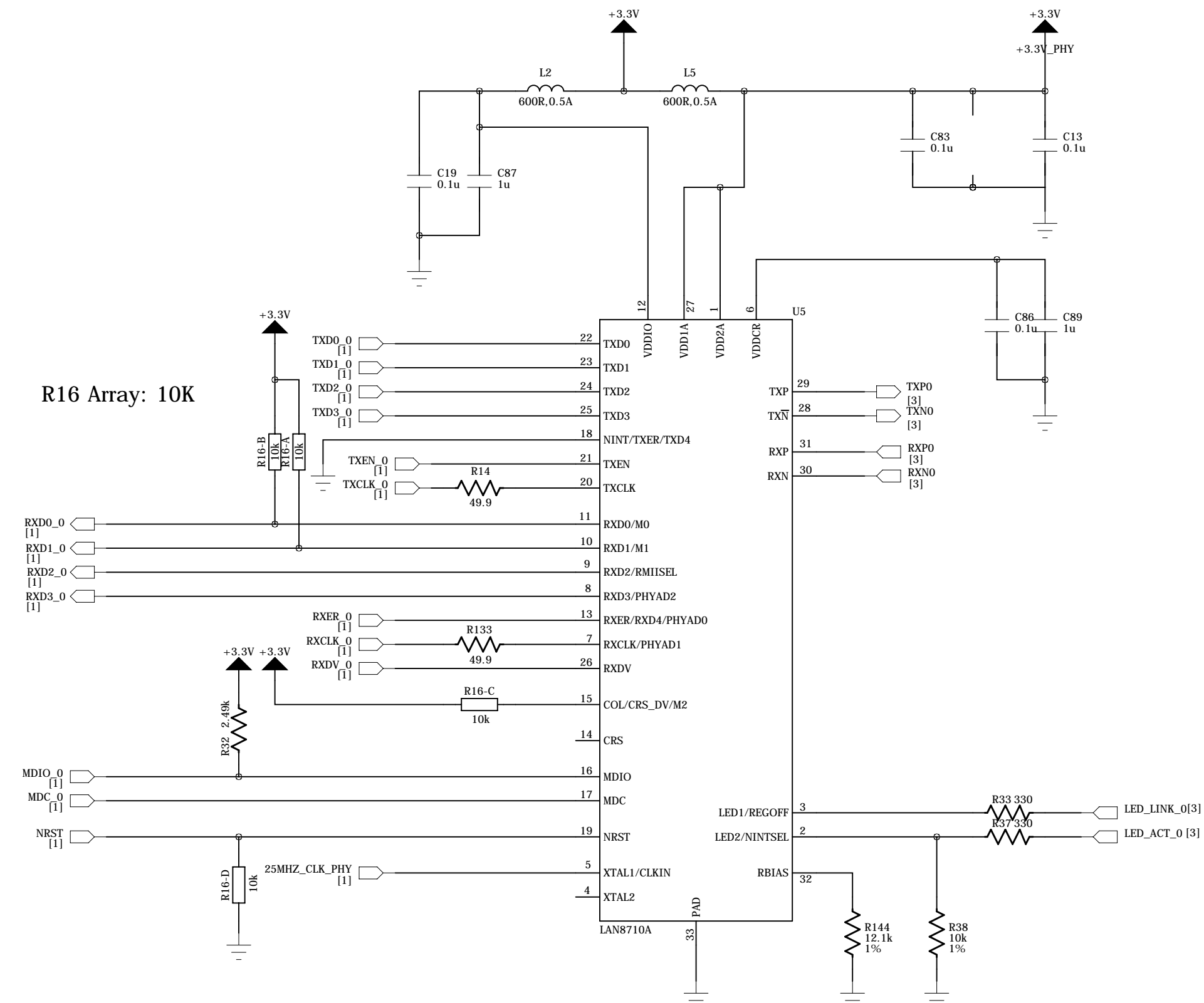
JTAG PORT



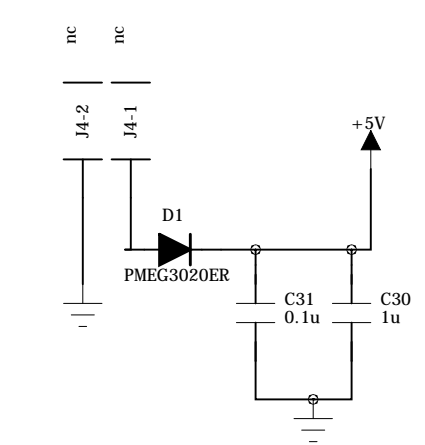
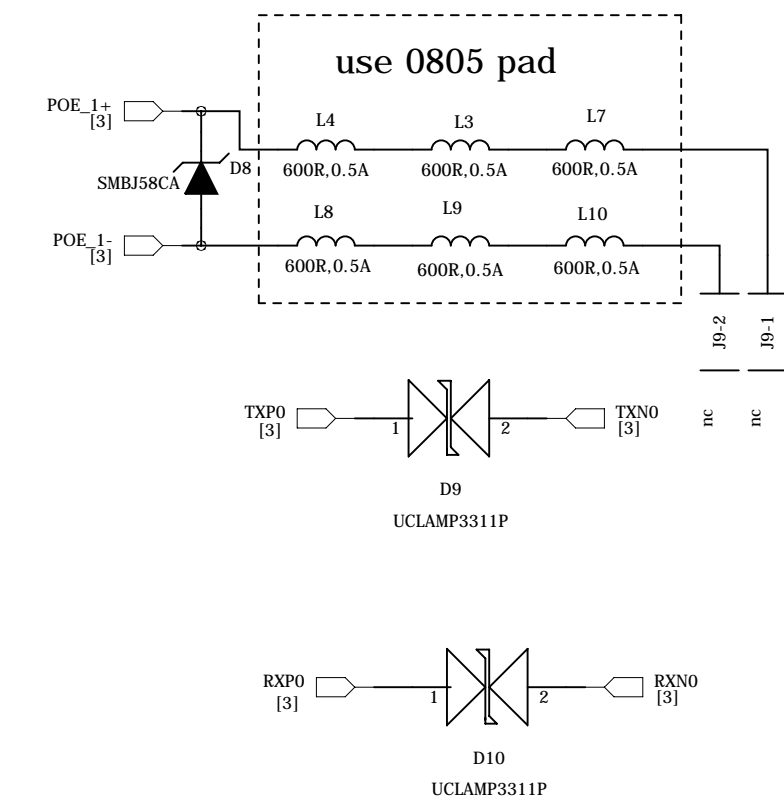
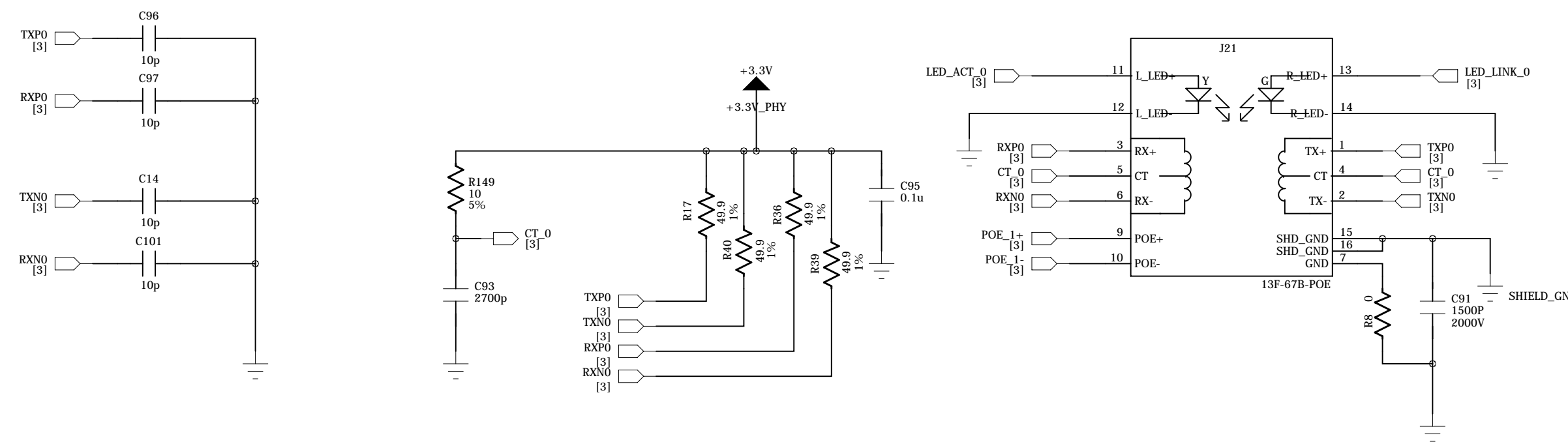
COMPANY: DSP4YOU/miniDSP			
TITLE: AVB Dongle			
DRAWN: <Drawn By>	DATED: <Drawn Date>	CODE: <Code>	SIZE: D
CHECKED: <Checked By>	DATED: <Checked Date>	DRAWING NO: D <Drawing Number>	
QUALITY CONTROL: <QC By>	DATED: <QC Date>	REVISION: <Revision>	
RELEASED: <Released By>	DATED: <Release Date>	SCALE: <Scale>	SHEET: 2 OF 4

REVISION RECORD			
LTR	ECO NO.	APPROVED:	DATE:

ETHERNET



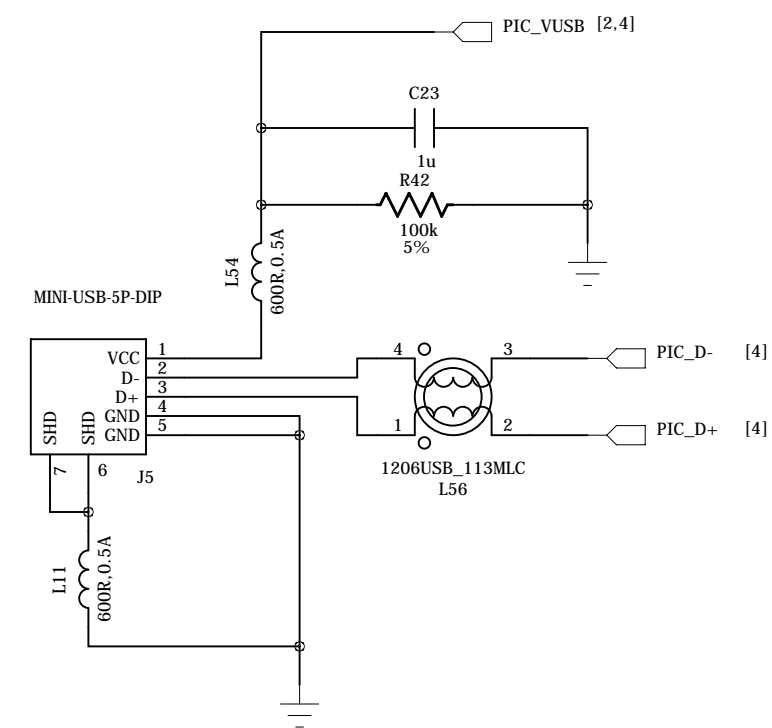
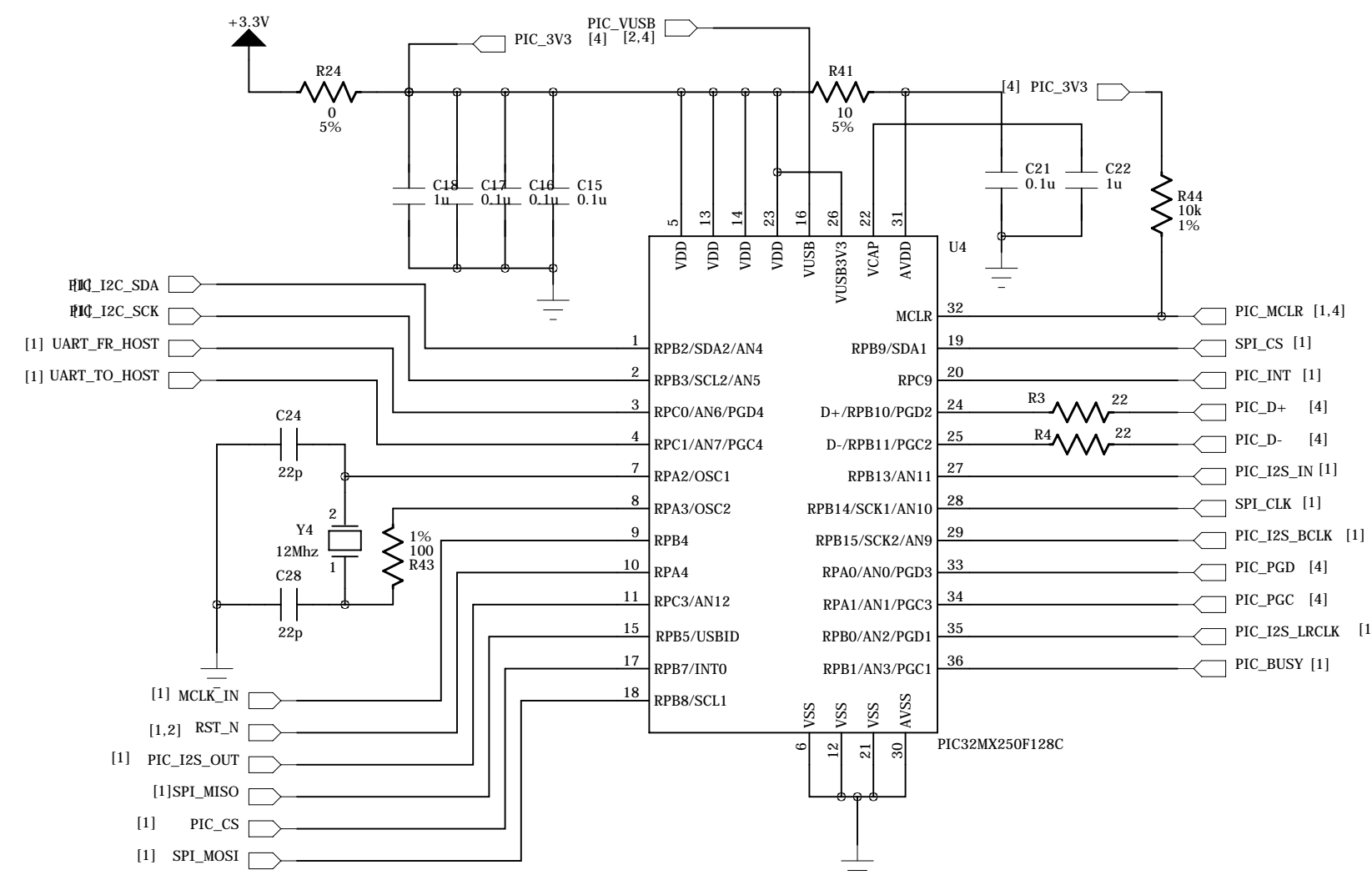
Ethernet Components (Place Close to Connectors)



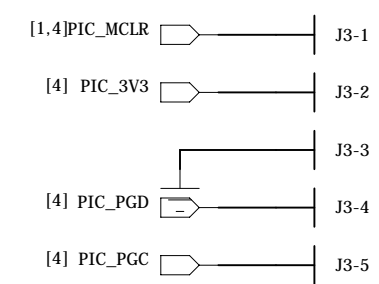
COMPANY: DSP4YOU/miniDSP			
TITLE: AVB Dongle			
DRAWN: <Drawn By>	DATED: <Drawn Date>	CODE: <Code>	
CHECKED: <Checked By>	DATED: <Checked Date>	SIZE: D	DRAWING NO: <Drawing Number>
QUALITY CONTROL: <QC By>	DATED: <QC Date>	REVISION: <Revision>	
RELEASED: <Released By>	DATED: <Release Date>	SCALE: <Scale>	SHEET: 3 of 4

REVISION RECORD			
LTR	ECO NO.	APPROVED:	DATE:

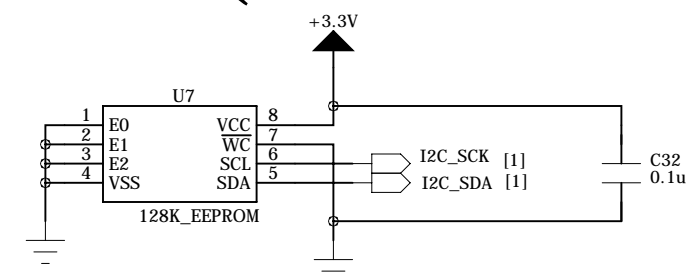
PIC32MX250F128C



ICSP



24LC128 (128k EEPROM)



COMPANY: DSP4YOU/miniDSP

TITLE: AVB Dongle

DRAWN: <Drawn By>	DATED: <Drawn Date>	CODE:		SIZE:	DRAWING NO:	REV:
CHECKED: <Checked By>	DATED: <Checked Date>	D <Drawing Number>		Revision >		
QUALITY CONTROL: <QC By>	DATED: <QC Date>	SCALE: <Scale>		SHEET: 4 OF 4		
RELEASED: <Released By>	DATED: <Release Date>					