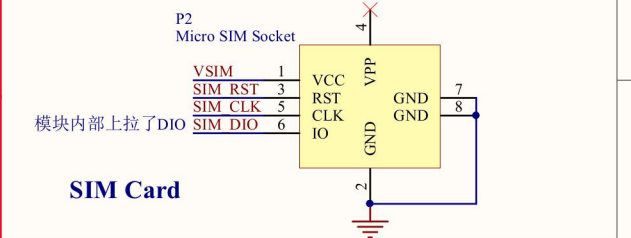
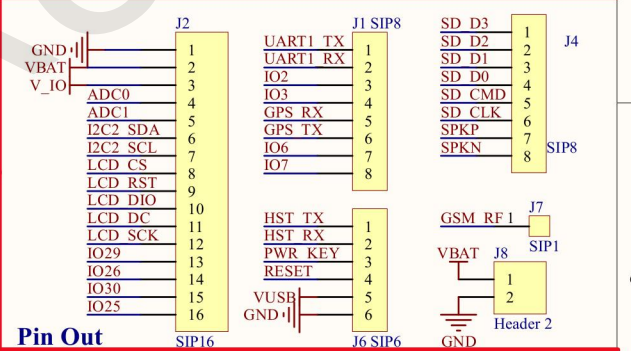
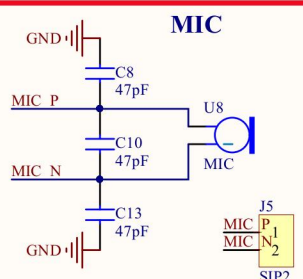
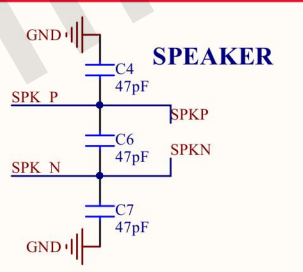
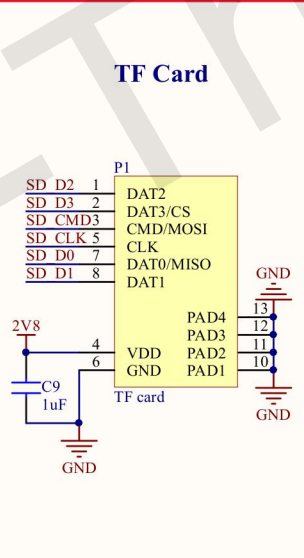
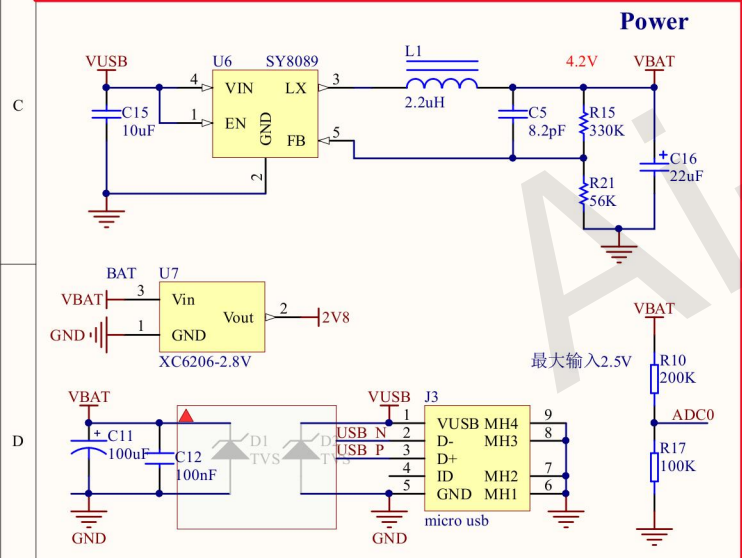
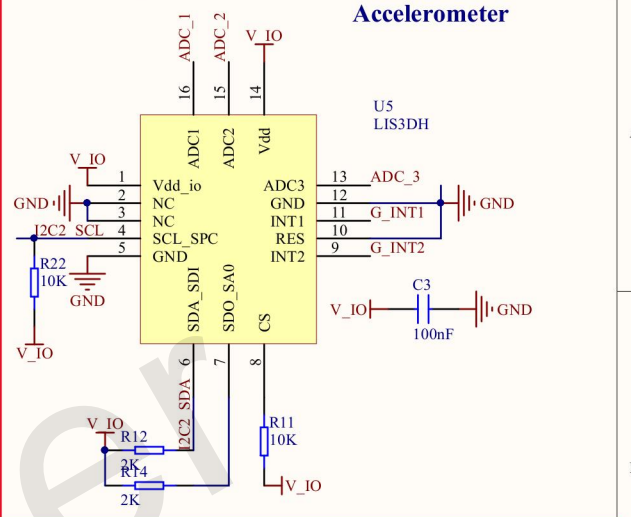
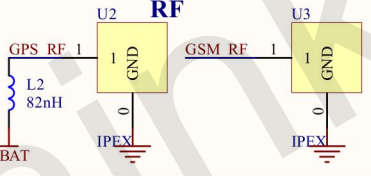
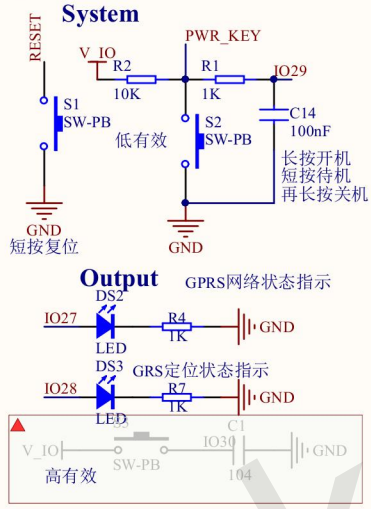


不能在26,27,28上外加上拉电阻
因为复用了启动功能引脚



Title: **A9G-dev**

Size: A4	Number:	Revision: 1.2
Date: 2017/12/20 星期三	Sheet of	Drawn By:
File: C:\Users\...\A9G-dev V1.2-000.SchDoc	Drawn By:	