

MUIR



Recreational Equipment Guide
Anchor Winches and Windlasses



Since 1968. Built to last.

Located deep in the wild Southern Ocean, Tasmania's harsh and challenging marine environment means that anything made here must be made well. And it must be made to last.

It's here that for over 50 years Muir has been designing and manufacturing anchoring systems and mooring equipment that have withstood the test of time, and the test of nature.

With a comprehensive quality assurance system to ensure durability and safety, our anchoring systems, mooring and deck equipment are respected for their quality and performance.

From a 5-metre vessel to the world's largest mega yachts, Muir products are requested around the globe and used exclusively by leading recreational and commercial maritime brands including Riviera, Maritimo and Telwater.

A national network of experienced sales managers, combined with a trusted international distribution network, ensures that Muir is led by knowledge to deliver quality to you, no matter the size of your vessel.



Contents

- 4 Selecting a Windlass
- 8 Vertical Windlasses
- 19 Horizontal Windlasses
- 24 Vertical Powered Capstans
- 27 Drum Winches
- 31 Accessories
- 33 Anchor Chain
- 34 Anchor Rodes and Rope Chains



Selecting a Windlass

Selecting the appropriate windlass and ground tackle for your vessel and application ensures efficient deployment and retrieval of your anchor irrespective of anchoring or weather conditions. An undersized windlass may well compromise the safety of your vessel and crew. Choosing the right one should prevent costly repairs and damage.

When selecting a windlass there are a number of factors that need to be considered: vessel type, length and displacement, anchor and chain size, windage and the anchoring environment. The selection chart on page 6 will assist in determining the ideal windlass options for your vessel. Once the suitable windlasses are identified refer to those particular product specification pages in the catalogue for details or visit the Muir website at www.muir.com.au. The staff at Muir can also assist in windlass selection, please find contact details at the back.

A windlass is often exposed to harsh elements therefore it is important to consider the materials and components it is manufactured from. Muir windlasses incorporate high quality components including chromed bronze and high quality marine grade 316 Stainless Steel running gear, stainless steel drive shafts and marine coated alloy housings, to ensure strength, durability and long term usage.

A powered windlass with some form of manual operation or override is always a wise choice and ensures peace of mind that the anchor can be retrieved if power failed or in an emergency. The type and style of windlass you select will depend on the depth of the chain locker, the fore deck layout, power options and personal preference.

Manual or Power Operation?

There are three main ways a windlass can be powered.

- 1. Manual windlasses:** you do the work of a motor, while internal gearing or a ratchet drive makes it easier. These windlasses are above deck units and very simple to install.
- 2. Electric power windlasses:** windlass motors do all the lifting controlled by remote or deck switches and require little user interaction. One of the easiest methods for weighing anchor, however, requires electrical power sources in 12/24V or 3 Phase AC.
- 3. Hydraulic power windlasses:** another easy method for weighing anchor requires hydraulic pump/powerpack.

Depth of the Chain Locker?

Measuring the vertical distance underside of the deck and the top of the completely stored and heaped anchor rode in the

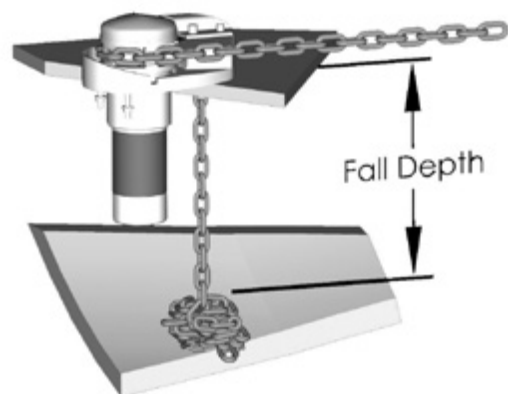
locker will assist in determining the installation to suit your vessel. Refer to the fall depth diagrams to the left, and the options detailed below.

Horizontal or Vertical Configuration?

Windlasses are one of two types - vertical or horizontal. This is based on the orientation of the drive shaft - vertical or horizontal in direction.

Vertical Windlass: The running gear, gypsy and capstan are positioned above the deck with the motor and gear drive below. Vertical windlasses operate at optimum with greater anchor rode fall than the horizontal windlass and a minimum fall of 30cm from top of stacked anchor rode is recommended. This is particularly important if using nylon line which does not fold and stack as well as chain does. Vertical windlasses minimise deck intrusion and the modern sleek lines enhance the look of any vessel. A vertical windlass provides a 180-degree wrap of the anchor rode around the gypsy for maximum feed into the locker and prevention of chain slippage and jumping.

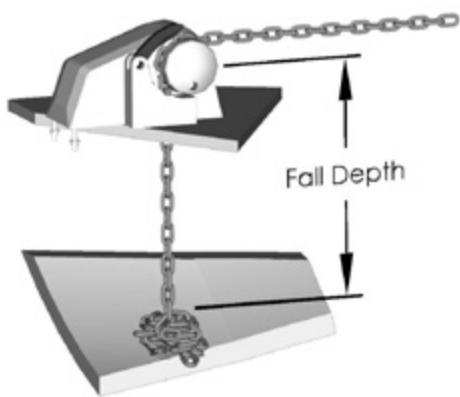
Vertical Windlass



Horizontal Windlass: Fully enclosed, above deck windlasses, this style is usually preferred where locker space is limited or additional fall is required. The motor and gear drive is fully enclosed in the housing with nothing protruding below deck. The horizontal windlass operates with optimum anchor rode fall of at least 30cm from the top of the stacked anchor rode, and due to the horizontal orientation of the gypsy higher above the deck there is additional fall provided. These units are ideally suited for vessels with shallow locker space. Often selected for commercial and charter vessel applications.



Horizontal Windlass



Determining the Capacity of the Windlass to suit my requirements

Once you have identified the windlasses that will suit your vessel based on the length and displacement from the table on page 6, you need to determine the lift capacity required for your application and then refer to the detailed information on the appropriate model.

$$\begin{array}{l}
 \text{Total weight of} \\
 \text{ground tackle (kg)} \\
 \text{(anchor + rope} \\
 \text{/ chain)} \\
 \text{[]} \times 4
 \end{array}
 =
 \begin{array}{l}
 \text{Maximum} \\
 \text{pulling} \\
 \text{power load (kg)} \\
 \text{required by} \\
 \text{the windlass}
 \end{array}$$

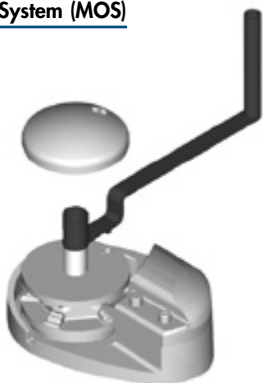
Manual Operation

Consideration should be given to selecting an automatic windlass with the option of Manual Operation. Manual operation is available on various Storm and Compact Models, refer to the model pages for further details.

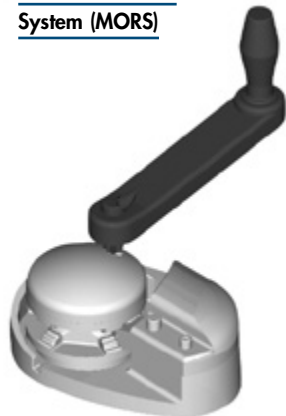
Manual Override System (MORS): allows for manual retrieval of the anchor rode with the application of a standard sheet winch handle to the clutch cap on vertical models, and an extension handle for Compact models.

Manual Operating System (MOS): allows for manual operation featuring a special gypsy attachment that fits to the top of the gypsy after the capstan or clutch top has been removed.

Manual Operating System (MOS)



Manual Override System (MORS)



Work Load (continuous working of the winch)

If a winch works for long periods of time (in contrast to short intervals) then it would typically run at 25% of the maximum workload of the winch.

However, for shorter intervals (typical when weighing anchor) the rating is between 30%-40% of the maximum load of the windlass, and usually involves multiple stages of operation as the vessel is positioned up above the anchor and rode, breaks free from the seabed and is stowed.

At each stage the workload varies. During the breakout of the anchor from the seabed it will be at its maximum load peak. The windlass should not be used to haul the vessel to the anchor, but the vessel should be powered toward the anchor to minimise the load on the windlass.

Circuit Breaker

To protect the motor and wiring of the electric windlass and to qualify for warranty, a circuit breaker must be installed. An appropriate circuit breaker for the AMPs load should be used, to ensure that when the windlass is at its peak the circuit breaker does not trip. Your Muir office or local representative will supply the recommended circuit breaker to suit the windlass requirements for maximum safety.

Security

To minimise unnecessary load on the windlass and drive gear whilst at anchor, the anchor rode should be secured with a chain stopper or snubber line.

Windlass Selection Guide

VESSEL LENGTH

Metres	4	6	8	10	12	14	16	18	20	25	30
Feet (ft)	13	20	26	33	39	46	52	59	66	82	100

MODELS

Storm Vertical Powered		4	6	8	10	12	14	16	18	20	25	30
VR/VRC 600	Page 9		■	■	■	■						
VR/VRC 850	Page 10			■	■	■	■					
VR/VRC 1250	Page 11				■	■	■	■				
VR/VRC 2200	Page 12						■	■	■	■		
VR/VRC 2500	Page 13						■	■	■	■	■	
VR/VRC 3500	Page 14							■	■	■	■	■
VR/VRC 4000	Page 15								■	■	■	■

Storm Automatic Freefalls		4	6	8	10	12	14	16	18	20	25	30
VFF 600	Page 16		■	■	■	■						

Manual Vertical		4	6	8	10	12	14	16	18	20	25	30
VM/VMC 500	Page 17			■	■	■	■					

Compact Automatic Freefalls		4	6	8	10	12	14	16	18	20	25	30
HFF 600S	Page 21		■	■	■	■						

Compact Horizontal Powered		4	6	8	10	12	14	16	18	20	25	30
Easyweigh H900/V900	Page 20		■	■	■	■						
H600S	Page 21		■	■	■	■	■					
HR 1600 Cougar	Page 23			■	■	■	■	■				
HR 2500 Cheetah	Page 23				■	■	■	■	■			
HR 3500 Jaguar	Page 24					■	■	■	■	■		
HR 4000 Thor	Page 24						■	■	■	■	■	
HR 4200 Thor	Page 24							■	■	■	■	■

Vertical Powered Capstans		4	6	8	10	12	14	16	18	20	25	30
VC 500	Page 25		■	■	■	■						
VC 650	Page 25			■	■	■	■					
VC 850	Page 25				■	■	■	■				
VC 2500	Page 25					■	■	■	■	■		
VC 3500	Page 25							■	■	■	■	■

Inline Vertical Powered Capstans		4	6	8	10	12	14	16	18	20	25	30
VC 800	Page 26		■	■	■	■	■					

Drum Winches		4	6	8	10	12	14	16	18	20	25	30
DFF 08	Page 28		■	■	■	■						
DFF 10	Page 28			■	■	■	■					
DW 06	Page 29		■	■	■	■	■					
DW 08	Page 29		■	■	■	■	■					
DW 10	Page 29			■	■	■	■	■				
DW 12	Page 29				■	■	■	■	■			
DW 15	Page 29					■	■	■	■	■		

LEGEND

■	■	■	■	Heavy Displacement Refers to a vessel relatively heavy in weight compared to its overall length
■	■	■	■	Light Displacement Refers to a vessel relatively light in weight compared to its overall length

REFERENCE

- VR – Vertical Reversing with a Gypsy
- VRC – Vertical Reversing with a Gypsy and Capstan
- VFF – Vertical Freefall
- HFF – Horizontal Freefall
- VC – Vertical Capstan
- HR – Horizontal Reversing
- VM – Vertical Manual with Gypsy
- VMC – Vertical Manual with Gypsy and Capstan
- H – Hawse Pipe

The specification in this section applies to vessels operating in safe weather conditions.

This information is to be used as a guide only and it is recommended that you contact your local Muir representative for further information on the appropriate system to meet your requirements.

Muir recommend where vessels are being used for charter or commercial purposes or for extended offshore cruising in rugged conditions or where average displacement puts them at the upper limit of the windlass size a larger model should be selected.

Displacement, windage and anchoring conditions are factors to consider when selecting a Muir system and it is advisable to select a larger windlass and ground tackle if anchoring in exposed conditions.

All systems assume the use of a chain stopper or chain snubber line to prevent load being placed on the windlass when breaking loose the anchor.



Glossary of Terms

- AMPS Workload** – current draw for the motor at full working load.
- Anchor Rode** – the line that secures the anchor to the vessel, consisting of either rope, chain or a combination of rope and chain.
- Automatic Free Fall** – Windlass releases automatic clutch by a means of a remote switch for rapid deployment. No user interaction.
- Bridle** – chain stopper/compressor, devils claw. Located between the winch and bow roller. Secures chain and takes load off the winch/windlass.
- Capstan** – drum, rope drum. The capstan is used for hauling rope.
- Displacement** – The amount of water displaced by a floating vessel, usually measured in tonnes.
- Fixed drive** – Direct couple from transmission to gypsy/capstan.
- Free Fall** – Release of clutch manually releases the chain to freefall.
- Gypsy** – **Chain gypsy, wildcat, chain wheel** – A special wheel with pockets to suit chain and or rope for hauling up the anchor and anchor rode.
- Hauling** – weighing, lifting. The operation of lifting anchor, rope or chain.
- Hawser** – chain pipe that anchor rode feeds through into locker.
- Horizontal windlass/winch** – Drive shaft, capstan and gypsy are located horizontally to the deck.
- Inline drive** – powerful and efficient integrated gearbox and motor.
- Manual Operation System (MOS)** – Handle fits directly into gypsy by removing the capstan or clutch top.
- Manual Override System (MORS)** – Handle fits into windlass top and over-rides the transmission and ratchet drive system. Power back up can be used.
- Maximum Load** – The maximum operating load that could be applied to the windlass, but the load the winch would normally be subjected to is substantially less.
- Max Line Speed** – Maximum speed the anchor rode could be retrieved at.
- Ratchet drive** – Indirect couple from transmission to gypsy/capstan via a ratchet cone. This allows for normal powered operation and manual operation where some power is available.
- RCMS** – Rope Chain Management System.
- Vertical windlass/winch** – Drive shaft, capstan and gypsy are located vertically to the deck.
- Workload** – Typical lift. Usually up to 25% of the Maximum load.

Abbreviations

DC	Direct Current	MPa	Megapascal	m	Metre
AC	Alternating Current	PSI	Pounds per square inch	mm	Millimetre
HYD	Hydraulic	lb	Pound	"	Inch
gal	Gallons (US)	kg	Kilogram	' / ft	Feet
lt	Litres	Min	Minute		



3 YEAR WARRANTY (First Owner)

We warrant each new product manufactured by us to be free from defects in material and workmanship for a period of 3 years from date of purchase (subject to conditions and exclusions.)

CONDITIONS:

While this warranty applies to defects in material and workmanship, it does not apply to:

- Normal worn parts or to damage caused by neglect, lack of maintenance, accident, or improper service/installation or service by persons other than an authorised Muir representative.
- Muir shall not be responsible for failures due to products being used in applications that they are not intended for, or conditions that exceed the products performance specifications.
- For warranty claim, defective product must be returned to Muir for inspection.
- Muir will not be responsible for freight charges, removal or installation labour on warranty claims.

EXCLUSIONS:

Warranty is limited to twelve months for:

- Some fully imported winch products,
- Electric motors/controls/equipment,
- Hydraulic pumps/controls/valves,
- Weather seals,
- Use on Hire vessels.

All incidental and/or consequential damages are excluded from this warranty. Warranties of merchantability and fitness are excluded from this warranty. Implied warranties are limited to the life of this warranty. Some countries do not allow limitations on how long an implied warranty lasts or the exclusion or limitation of incidental or consequential damages, so the above may not apply to you. This warranty covers all products shown in this catalogue and purchased after January 1st 2002.



Vertical Windlasses

Storm Range

The award winning Muir Storm series with luxury stainless steel finish revolutionises rope chain windlass technology. They are the preferred choice for high performance and smooth operation of rope-chain or chain only anchor rodes. The Storm series of vertical windlasses provides the strength of conventional vertical windlasses but with advanced and innovative concepts. Recognised for their sleek curved lines, Storms are available in low profile (VR) or capstan (VRC) configurations, with models to suit all recreational and commercial vessels up to 25m (83ft).

Storm windlasses provide the highest level of security and safety, whilst enhancing the foredeck of the most luxurious vessel.

FAST RETRIEVAL

Using the latest in efficient windlass drives, the Storm series provides effective and rapid anchor retrieval with high speeds of up to 25 metres per minute on some models, whilst also allowing smooth deployment of the anchor rode and chain.

ROPE-CHAIN COMBINATION RODES

The Rope Chain Management System (RCMS) on Storm windlasses consists of a spring loaded finger & 180 degree stripper arrangement that provides smooth transition for rope-chain combination, and carefully guides the anchor rode into the chain locker. This is aided by a unique combination rope and chain gypsy with special inner rope jaws and outer chain pockets that automatically accommodates both the rope and chain rode. A 180 degree stripper/peeler assembly fits to the gypsy hub preventing the rode from jamming and allowing a smooth vertical drop into the chain locker. RCMS is standard on all models up to VR/C4000 range.

MANUAL OPERATION

The Storm series offers two manual operation alternatives. The Manual Override System (MORS) is a premium option on most other models, and provides manual retrieval of the rope and chain or chain only rode by simply applying a standard sheet winch handle to the top of the windlass. The Manual Operating System (MOS) features a gypsy attachment that fits into the top of the gypsy once the capstan or clutch top has been removed. MOS is standard on most Storm models.

REDUCED INSTALLATION TIME

Storm windlass bases accommodate a quick fit adaptor that reduces installation time allowing the gearbox and motor to be installed directly onto the shaft in any radial position and alleviating distortion between the deck plate and gearbox flange. A sealed shaft protects the transmission below deck.

STYLE

Storm windlasses are modern, stylish and their unobtrusive design ensures space is maximized and the foredeck enhanced without comprising performance and durability.

FREEFALL MECHANISM

Automatic Freefall Storm models provide rapid freefall and total control when anchoring, and all with the flick of a switch. There is a Storm model to suit every application, available with DC power options and for vessels up to 9m (29ft). Unique swivel integrated chain pipes ensure access to your anchor rode, and with a complete range of accessories to suit, anchoring just doesn't get any easier!

Storm Stainless Steel Range

The Storm stainless steel range from Muir epitomises the latest in anchor windlass technology. Designed for vessels 5–25m (16–83ft), and in low profile and capstan configurations, the Storm stainless steel windlasses offer fast powered retrieval, smooth rope chain combination operation, reduced installation time, style and unbeatable reliability. Manufactured from polished stainless steel components the Storm windlass will weather the harshest of conditions.

Storm windlasses represent the pinnacle of reliability and performance and are packed with the features and quality you have come to expect from Muir. Designed on the principals of the award winning Storm series, with all its features and more...

The Storm stainless steel range is backed by a 3 year warranty and supported by an extensive worldwide sales and service network.

Storm VR/VRC600



Model	VR600
VESSEL LENGTH	5-9m 16-29ft
POWER SUPPLY (DC)	12/24V
MOTOR (Watts)	600
MAX LOAD	300kg 660lb
WORK LOAD	75kg 165lb
AMPS WORK LOAD (DC)	75/40
MAX LINE SPEED	25m/min 80ft/min
CHAIN SIZE	6 mm S/L 1/4"
ROPE SIZE	12mm 1/2"
NET WEIGHT	DC VR 12kg DC VR 26lb
MANUAL OPERATION	N/A

Features

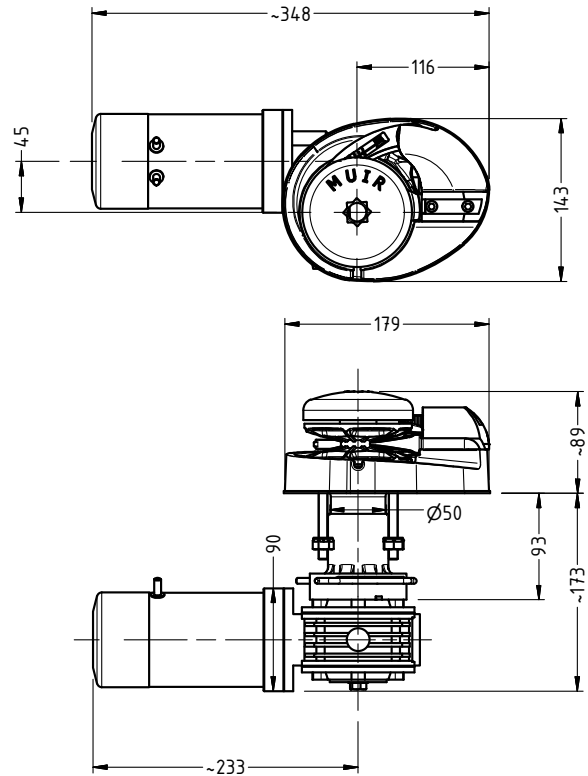
- Rope chain combination gypsy
- Rope Chain Management System (RCMS)
- Gypsy with low profile clutch top arrangement (VR)
- Heavy duty marine grade, dual direction motor in 12V DC, 24V
- 316 Stainless steel
- Quick fit adaptor
- Stainless steel shaft
- Cone clutch/brake
- Stainless steel mounting studs
- Shaft seal
- Self lubricating bush
- Clutch release handle
- Installation/Operation booklet

Options

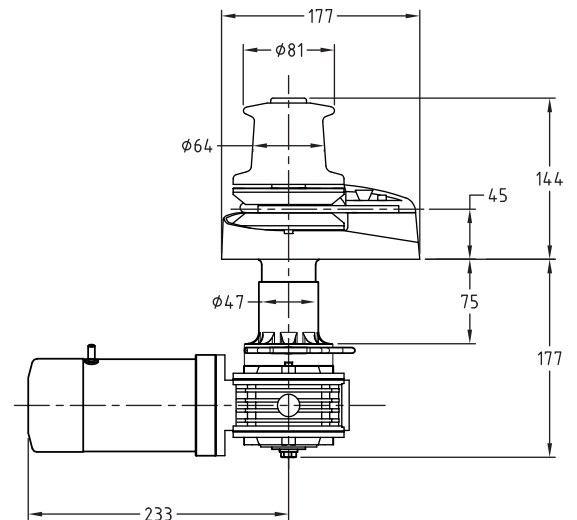
- Extra deck clearance kit for up to 150mm/6" deck thickness
- Full range of accessories including chain and rope available
- Electrical operating options & accessories
- Auto anchor - chain counter



VR600



VRC600



Storm VR/VRC850



Model	VR/VRC850
VESSEL LENGTH	8-11m 26-35ft
POWER SUPPLY (DC)	12/24V
MOTOR (Watts)	600
MAX LOAD	386kg 850lb
WORK LOAD	96kg 212lb
AMPS WORK LOAD (DC)	75/40
MAX LINE SPEED	24m/min 77ft/min
CHAIN SIZE	6 mm (1/4") 8mm (5/16") 10 mm (3/8")
ROPE SIZE	12 mm (1/2") 14 mm (9/16") 16 mm (5/8")
NET WEIGHT	DC/HYD VR 15kg VRC 16.5kg DC/HYD VR 33lb VRC 37lb
MANUAL OPERATION	MOS (std on most gypsy sizes)

Features

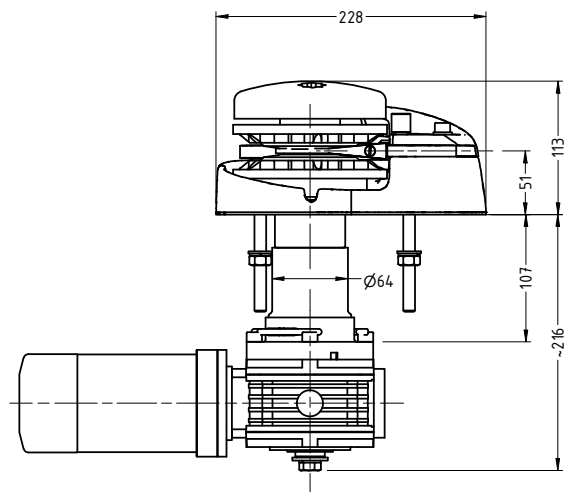
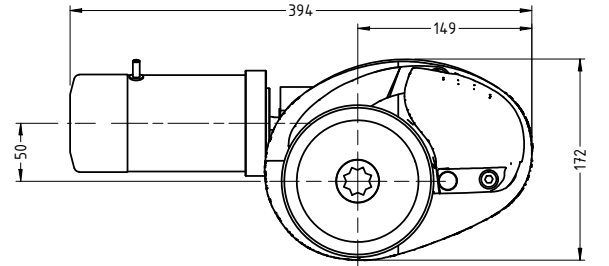
- Polished stainless steel components.
- Rope chain combination gypsy
- Rope Chain Management System (RCMS)
- Quick release integrated swivel chain pipe cover
- Gypsy with low profile clutch top arrangement
- Heavy duty marine grade, dual direction motor in 12V and 24V DC
- Independent gypsy and capstan operation
- Capstan models feature heavy duty knurled finish for increased grip
- Quick fit adaptor
- Stainless steel shaft
- Cone clutch/brake
- Stainless steel mounting studs
- Shaft seal
- Self lubricating bush
- Clutch release handle
- Installation/Operation booklet
- Manual Operation System (MOS)



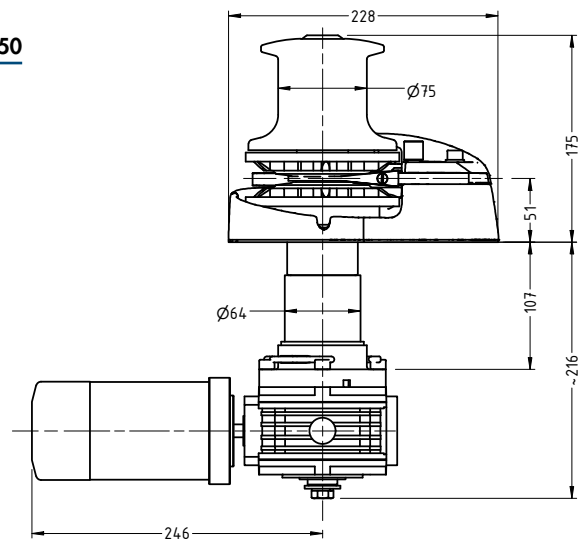
Options

- Extra deck clearance kit for deck up to 150mm/6"
- Full range of accessories including chain, rope, chain stoppers, snubber kits and devil claws
- Electrical operating options and accessories
- Auto anchor - chain counter

VR850



VRC850



Storm VR/VRC1250



Model	VR/VRC1250
VESSEL LENGTH	10–13m 32–42ft
POWER SUPPLY (DC)	12/24V
MOTOR (Watts)	1000
HYDRAULIC PRESSURE	8MPa 1160PSI
HYDRAULIC FLOW	15L/min 4gal/min
MAX LOAD	500kg 1100lb
WORK LOAD	125kg 275lb
AMPS WORK LOAD (DC)	125/60
MAX LINE SPEED	15m/min 48ft/min
CHAIN SIZE	6 mm (1/4") 8 mm (5/16") 10 mm (3/8")
ROPE SIZE	12 mm (1/2") 14 mm (9/16") 16mm (5/8")
NET WEIGHT	DC VR 20kg VRC 22kg DC VR 44lb VRC 48lb HYD VR 15.5kg VRC 17kg HYD VR 34lb VRC 38lb
MANUAL OPERATION	MOS (std on most gypsy sizes)

Features

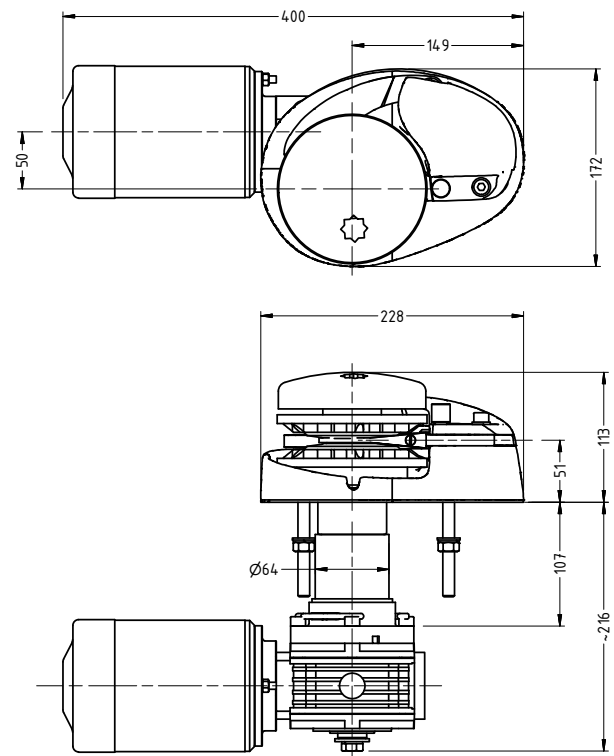
- Polished stainless steel components
- Rope chain combination gypsy
- Rope Chain Management System (RCMS)
- Quick release integrated swivel chain pipe cover
- Gypsy with low profile clutch top arrangement
- Heavy duty marine grade, dual direction motor in 12V and 24V DC, Hydraulic
- Independent gypsy and capstan operation
- Capstan model features heavy duty knurled finish for increased grip
- Quick fit adaptor
- Stainless steel shaft
- Cone clutch/brake
- Stainless steel mounting studs
- Shaft seal
- Self lubricating bush
- Clutch release handle
- Installation/Operation booklet
- Manual Operation System (MOS)



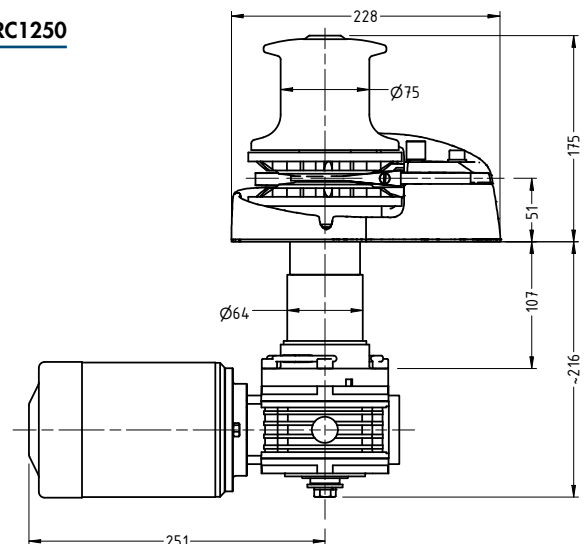
Options

- Extra deck clearance kit for deck up to 150mm/6"
- Full range of accessories including chain, rope, chain stoppers, snubber kits and devil claws
- Electric and hydraulic operating options and accessories
- Auto anchor - chain counter.

VR1250



VRC1250



Storm VR/VRC2200



Model	VR/VRC2200
VESSEL LENGTH	12–15m 38–48ft
POWER SUPPLY (DC)	12/24V
MOTOR (Watts)	1200
HYDRAULIC PRESSURE	10MPa 1450PSI
HYDRAULIC FLOW	15L/min 4gal/min
MAX LOAD	1000kg 2200lb
WORK LOAD	250kg 550lb
AMPS WORK LOAD (DC)	150/70
MAX LINE SPEED	15m/min 50ft/min
CHAIN SIZE	6 mm (1/4") 8 mm (5/16") 10 mm (3/8")
ROPE SIZE	12 mm (1/2") 14 mm (9/16") 16mm (5/8")
NET WEIGHT	DC VR 23.5kg VRC 25kg DC VR 52lb VRC 55lb HYD VR 22.5kg VRC 24kg HYD VR 50lb VRC 53lb
MANUAL OPERATION	MOS (std on most gypsy sizes)

Features

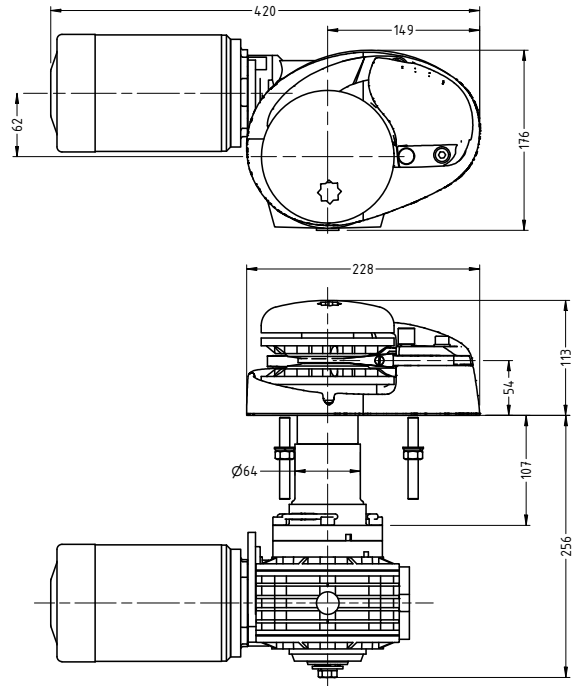
- Polished stainless steel components
- Rope chain combination gypsy
- Rope Chain Management System (RCMS)
- Quick release integrated swivel chain pipe cover
- Gypsy with low profile clutch top arrangement
- Heavy duty marine grade, dual direction motor in 12V and 24V DC, Hydraulic
- Independent gypsy and capstan operation
- Capstan model features heavy duty knurled finish for increased grip
- Quick fit adaptor
- Stainless steel shaft
- Cone clutch/brake
- Stainless steel mounting studs
- Shaft seal
- Self lubricating bush
- Clutch release handle
- Installation/Operation booklet
- Manual Operation System (MOS)



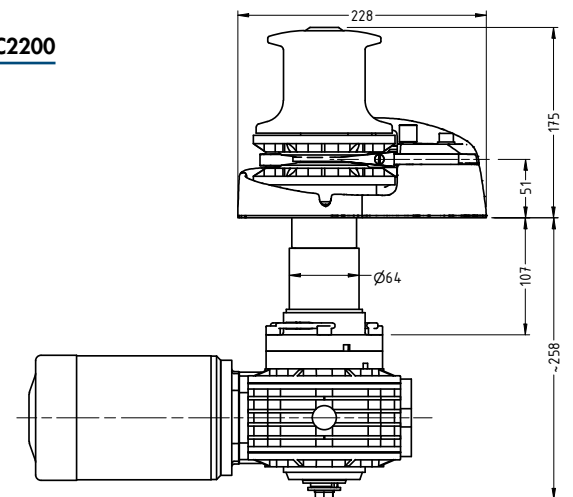
Options

- Extra deck clearance kit for deck up to 150mm/6"
- Full range of accessories including chain, rope, chain stoppers, snubber kits and devil claws
- Electric and hydraulic operating options and accessories
- Auto anchor - chain counter.

VR2200



VRC2200



Storm VR/VRC2500



Model	VR/VRC2500
VESSEL LENGTH	14–20m 45–64ft
POWER SUPPLY (DC)	12/24V AC Electric available
MOTOR (Watts)	1200
HYDRAULIC PRESSURE	10MPa 1450PSI
HYDRAULIC FLOW	20L/min 5.5gal/min
MAX LOAD	1136kg 2500lb
WORK LOAD	284kg 624lb
AMPS WORK LOAD (DC)	150/70
MAX LINE SPEED	13.5m/min 44ft/min
CHAIN ONLY SIZE	8 mm (5/16") 10 mm (3/8") 13 mm (1/2") (chain only)
ROPE SIZE	14 mm (9/16") 16 mm (5/8")
NET WEIGHT	DC VR 40kg VRC 44kg DC VR 88lb VRC 96lb HYD VR 38kg VRC 42kg HYD VR 84lb VRC 92lb
MANUAL OPERATION	MORS (opt)

Features

- Rope chain combination gypsy
- Quick release integrated swivel chain pipe cover
- Gypsy with capstan (VRC) or gypsy with low profile clutch top arrangement (VR)
- Heavy duty marine grade, dual direction motor in 12 & 24V DC, Hydraulic & AC
- Polished Stainless steel components
- Independent gypsy and capstan operation
- Capstan model features heavy duty fluted finish for increased grip
- Self aligning gearbox/adaptor
- Stainless steel shaft
- Cone clutch/brake
- Stainless steel mounting studs
- Shaft seal
- Lubricating grease nipple
- Clutch release handle
- Rope Chain Management System (RCMS)
- Installation/Operation booklet

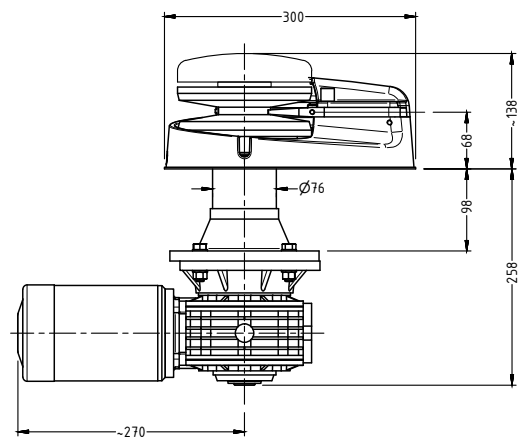
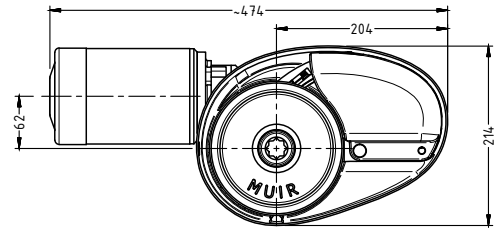
Options

- Round base VR/VRC model (chain only)
- AC electric motor available
- Mirror image models available
- Manual Override System (MORS)
- Traditional polished bronze finish
- Extra deck clearance kit for any deck thickness
- Full range of accessories including chain, rope, chain stoppers, snubber kits & devil claws
- Electric & hydraulic operating options & accessories
- Auto anchor - chain counter.

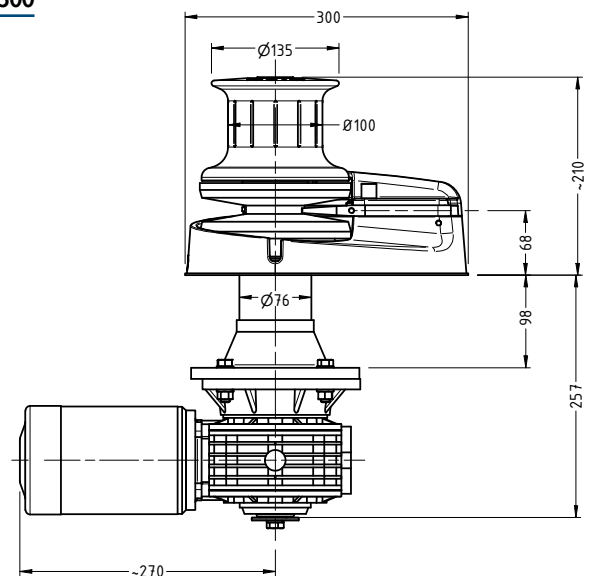


Round base
Muir 2500

VR2500



VRC2500



Storm VR/VRC3500



Model	VR/VRC3500
VESSEL LENGTH	15–24m 48–77ft
POWER SUPPLY (DC)	12/24V AC Electric available
MOTOR (Watts)	1500
HYDRAULIC PRESSURE	10MPa 1450PSI
HYDRAULIC FLOW	28L/min 7.5gal/min
MAX LOAD	1590kg 3500lb
WORK LOAD	397kg 875lb
AMPS WORK LOAD (DC)	185/90
MAX LINE SPEED	13.5m/min 44ft/min
CHAIN ONLY SIZE	8 mm (5/16") 10 mm (3/8") 13 mm (1/2") (chain only)
ROPE SIZE	14 mm (9/16") 16 mm (5/8")
NET WEIGHT	DC VR 42kg VRC 46kg DC VR 92lb VRC 101lb HYD VR 38kg VRC 42kg HYD VR 84lb VRC 92lb
MANUAL OPERATION	MORS (opt)

Features

- Rope chain combination gypsy
- Quick release integrated swivel chain pipe cover
- Gypsy with capstan (VRC) or gypsy with low profile clutch top arrangement (VR)
- Heavy duty marine grade, dual direction motor in 12 & 24V DC, hydraulic & AC
- Polished Stainless steel components
- Independent gypsy and capstan operation
- Capstan model features heavy duty fluted finish for increased grip
- Self aligning gearbox/adaptor
- Stainless steel shaft
- Cone clutch/brake
- Stainless steel mounting studs
- Shaft seal
- Lubricating grease nipple
- Clutch release handle
- Rope Chain Management System (RCMS)



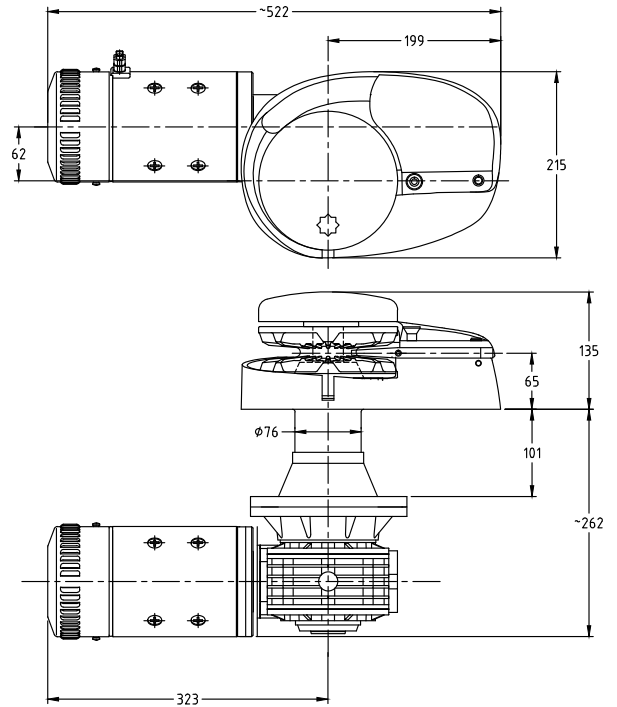
Options

- Round base VR/VRC model (chain only)
- AC electric motor available
- Mirror image models available
- Manual Override System (MORS)
- Traditional polished bronze finish
- Extra deck clearance kit for any deck thickness
- Full range of accessories including chain, rope, chain stoppers, snubber kits & devil claws
- Electric & hydraulic operating options & accessories
- Auto anchor - chain counter.

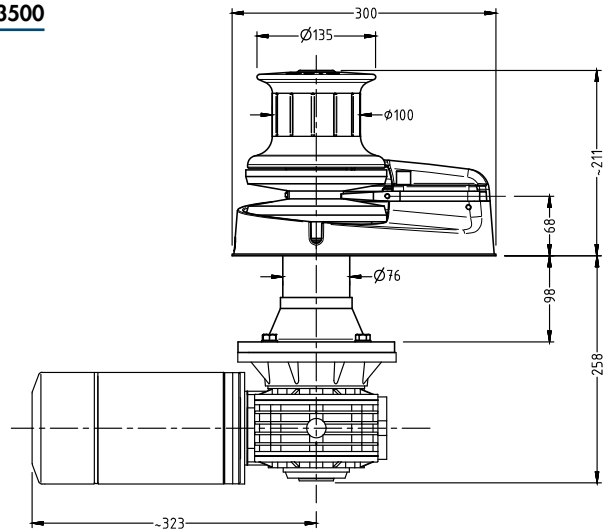


Round base
Muir 3500

VR3500



VRC3500



Storm VR/VRC4000



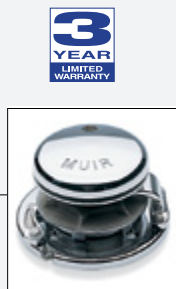
Model	VR/VRC4000
VESSEL LENGTH	18–25m 58–82ft
POWER SUPPLY (DC)	24V AC Electric available
MOTOR (Watts)	2000
HYDRAULIC PRESSURE (bar/PSI)	200 2900PSI
HYDRAULIC FLOW	22L/min 5.8gal/min
MAX LOAD	1818kg 4000lb
WORK LOAD	450kg 992lb
AMPS WORK LOAD (DC)	110
MAX LINE SPEED	20m/min 66ft/min
CHAIN SIZE	8 mm (5/16") 10 mm (3/8") 13 mm (1/2") (chain only)
ROPE SIZE	14–16mm 9/16–5/8"
NET WEIGHT	DC VR 54kg VRC 58kg DC VR 119lb VRC 119lb HYD VR 50kg VRC 55kg HYD VR 110lb VRC 121lb
MANUAL OPERATION	MORS (opt)

Features

- Rope chain combination gypsy
- Quick release integrated swivel chain pipe cover
- Gypsy with capstan (VRC) or gypsy with low profile clutch top arrangement (VR)
- Heavy duty marine grade, dual direction motor in 12 & 24V DC, AC & Hydraulic
- Polished Stainless steel components
- Independent gypsy and tall capstan operation
- Capstan model features heavy duty fluted finish for increased grip
- Self aligning gearbox/adaptor
- Stainless steel shaft
- Cone clutch/brake
- Stainless steel mounting studs
- Shaft seal
- Lubricating grease nipple
- Clutch release handle
- Rope Chain Management System (RCMS)
- Installation/Operation booklet

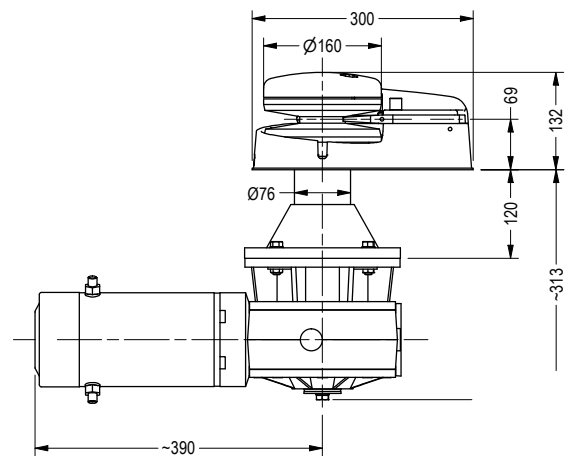
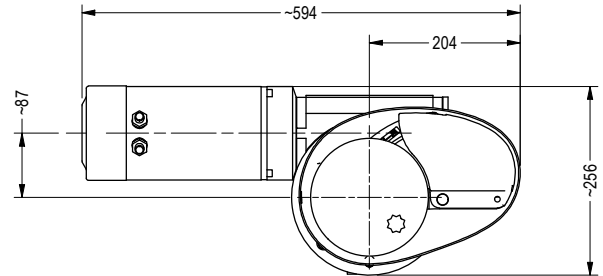
Options

- Manual Override System (MORS)
- Round base VR/VRC model (chain only)
- AC electric motor available
- Mirror image models available
- Traditional polished bronze finish
- Extra deck clearance kit for any deck thickness
- Full range of accessories including chain, rope, chain stoppers, snubber kits & devil claws
- Electric & hydraulic operating options & accessories
- Auto anchor -chain counter.

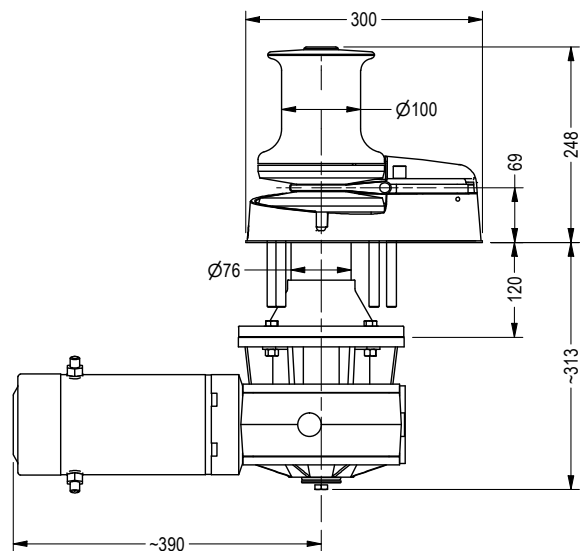


Round base
Muir 4000

VR4000



VRC4000



Storm Automatic VFF600



Model	VFF600
VESSEL LENGTH	5–9m 16–29ft
POWER SUPPLY (DC)	12V
MOTOR (Watts)	600
HYDRAULIC PRESSURE	N/A N/A
HYDRAULIC FLOW	N/A N/A
MAX LOAD	300kg 660lb
WORK LOAD	75kg 165lb
AMPS WORK LOAD (DC)	75
MAX LINE SPEED	20m/min 64ft/min
CHAIN SIZE	6 mm S/L 1/4"
ROPE SIZE	12mm 1/2"
NET WEIGHT	DC 12kg DC 26lb
MANUAL OPERATION	N/A

**To be used only with rope chain combination*

Features

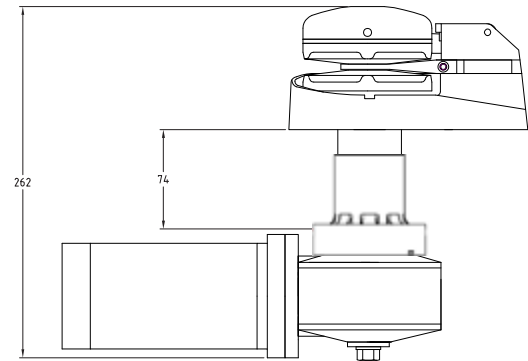
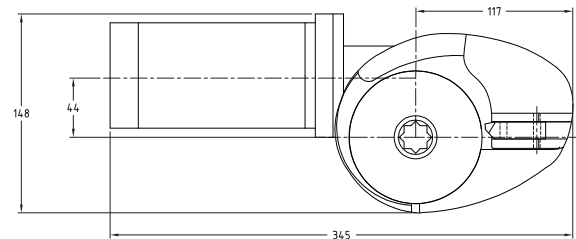
- Automatic freefall capability
- Rope chain combination gypsy
- Rope Chain Management System (RCMS)
- Sleek low profile clutch top arrangement
- Heavy duty dual direction motor in 12 & 24V DC
- Luxury chromed finish over marine grade bronze on gypsy and clutch nut only
- Self aligning gearbox
- Quick fit adaptor
- Stainless steel shaft
- Cone clutch/brake
- Stainless steel mounting studs
- Shaft seal
- Self lubricating bush
- Clutch release handle
- Installation/Operation booklet
- Helm switch and circuit breaker included.

Options

- Extra deck clearance kit for any deck thickness
- Full range of accessories including chain, rope, anchors, anchor roller, chain stoppers, snubber kits & devil claws
- Electric operating options & accessories



VFF600



VFF600



Manual Vertical VM/VMC 500



Model	VM/VMC 500
VESSEL	6–12m 19–38ft
POWER SUPPLY (DC)	Manual
MOTOR (Watts)	N/A
MAX LOAD	227kg 500lb
WORK LOAD	N/A
AMPS WORK LOAD	N/A
RECOVERY RATE	36cm/revolution 14.5"/revolution
CHAIN SIZE	6mm (1/4") 8mm (5/16") 10mm (3/8")
ROPE SIZE	12mm (1/2") 14mm (9/16") 16mm (5/8")
NET WEIGHT	VM 5.5kg (12,7lb) VMC 6.5kg (14lb)

Not everyone needs or wants power, so the Manual Vertical series is designed with those in mind. Suited for vessels up to 12m, the manual vertical series has many applications and the above deck installation is fast and simple. The manual series is available in a round base configuration (VM500). Featuring an independent low profile top or capstan and gypsy the units can also be mounted horizontally in the anchor locker, or used as an auxiliary unit for line hauling or fishing use.

The low profile, light weight, compact design make this unit ideal for the racing enthusiast who cannot afford the weight or space of a powered windlass, or for those doing serious ocean cruising or racing who can't afford to rely on battery power. Available to suit all chain or rope chain combination (RCMS optional). The heavy duty knurled capstan operates independently of the gypsy and provides increased line grip.

Precision engineered for quick and efficient hauling, the ratchet manual operation system is operated with a standard sheet winch handle and manually released with the same handle.

Features

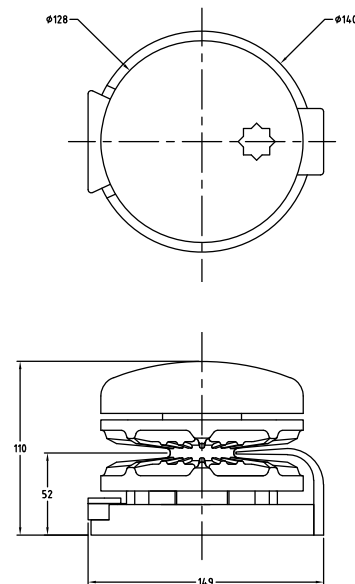
- Chain only
- Gypsy with low profile clutch top arrangement (VM)
- Round base model (VM)
- 316 Stainless Steel / Chrome Bronze
- Independent gypsy and capstan operation
- Capstan models feature heavy duty knurled finish for increased grip
- Cone clutch/brake
- Stainless steel mounting bolts supplied
- Clutch release and manual operation handle
- Installation/Operation booklet



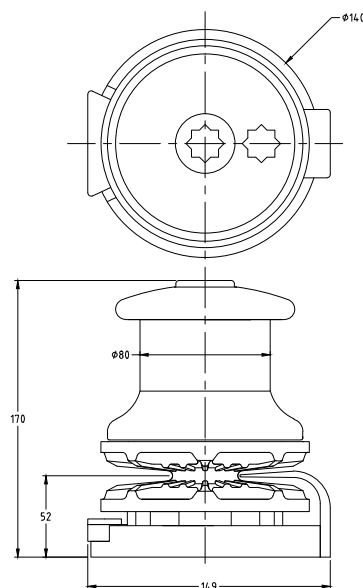
Options

- Full range of accessories including chain, rope, chain stoppers, snubber kits, devil claws
- Rope Chain Management System (RCMS)

VM500



VMC500

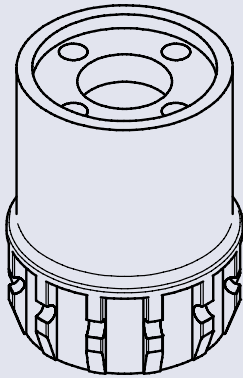


Quick Fit Adaptor

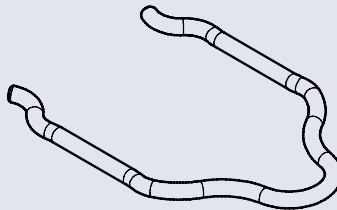


Designed for

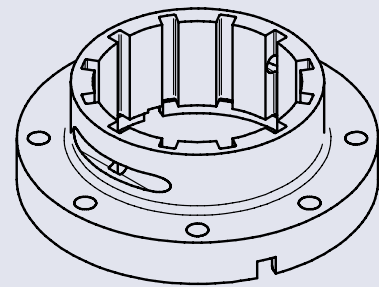
- Easy installation
- Fix the windlass to the deck and simply slip the motor and gearbox into position
- Strong stainless steel construction
- Easy to remove the motor and gearbox for maintenance, simply remove 1 bolt and the quick fit retaining clip and the motor and gearbox assembly slides off
- Standard supply on 600 / 850 / 1250 / 2200 Storm models
- Positions available for 360° rotation of motor / gearbox.



ADAPTOR



CLIP



BASE PLATE

Quick Fit Assembly/Disassembly

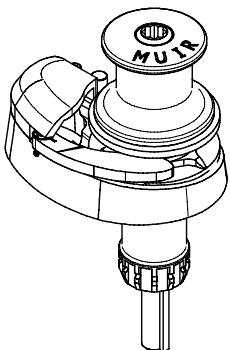


Fig. 1

Top unit assembly as received by customer.

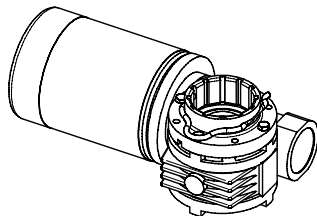


Fig. 2

Bottom unit assembly as received by customer.

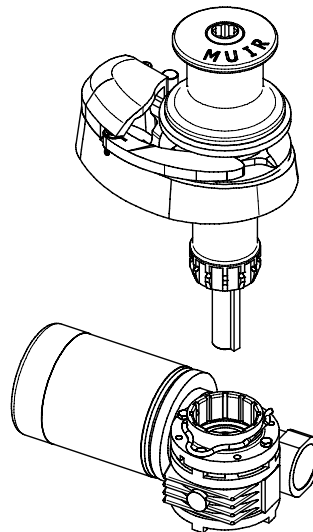


Fig. 3

Align motor and gear box for your required position then slide up shaft until spring retains gear box mount.

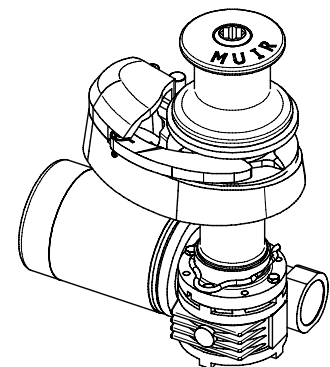


Fig. 4

Bolt retaining washer to end of drive shaft to complete the finished unit.



Compact Horizontal Windlasses

The powerful Compact range of horizontal windlasses provides the perfect alternative to vertical models for all recreational, commercial and fishing vessels up to 25 metres.

Compact series of horizontal windlasses are ideal for installations where chain locker space is at a premium or not easily accessible. These complete above deck units are constructed from composite materials (HR1600/2500 series) and from durable marine alloy housings (HR3500/4000 series) enclosing the powerful and heavy duty motor and gearbox, waterproofing and protecting it from the harsh elements. All running gear is designed for durability and performance, manufactured from marine grade stainless steel with luxury chrome or optional traditional polished bronze finish.

The Compact series incorporates many of the innovative features available across the Storm range.

ROPE CHAIN MANAGEMENT SYSTEM (RCMS) STANDARD

Some compact models can be used with rope-chain anchor rodes, and selected models are chain only.

The Rope Chain Management System (RCMS) facilitates smooth rope-chain operation and is available by replacing a standard chain pipe with the RCMS unit. RCMS incorporates a spring loaded finger arrangement fitted to a separate chain pipe that directs and pushes the rope into the inner jaw of the gypsy whilst allowing the chain to follow and pass through automatically. A stripper/peeler assembly fits around the gypsy hub to prevent the rope from jamming and facilitates a smooth vertical drop into the chain locker. RCMS is an integrated and standard unit on the HR600S and should be considered for all Compact models.

INDEPENDENT ROPE CAPSTAN OPERATION

Most Compact models feature a knurled capstan that can be operated independently of the gypsy/chainwheel for line handling or auxillary purposes.

MANUAL OPERATION

Manual operation is standard on all models from HR1600 to 4200 ensuring complete back up should battery power fail or emergency situation prevail.

EASE OF INSTALLATION

Installation of the Compact range is quick & simple with no separate drive assembly to be mounted below deck.

PERFORMANCE

Operational performance of the Compact models is further enhanced by the high vertical drop to the chain locker and the 90 degree wrap of chain and rope on the gypsy that provides quick and trouble free deployment and retrieval.

AUTOMATIC FREEFALL

Muir's Compact range of windlasses includes automatic freefall HFF600 model. These windlasses provide AUTOMATIC and rapid free fall with a simple flick of a switch from the helm. The freefall can be interrupted at any stage. Ideal for single-handed boating, fishing, or for vessels with inaccessible foredecks.

AND MORE...

Some of the Compact range are available in 12 & 24 volt and hydraulic options. Muir offer a full range of accessories to suit the Compact models including electric controls, chain, rope and chain stoppers.



Silver H600S/HFF600S



Your choice of either the standard Manual (H600S), Power Up & Power Down (with Manual Release), or the Muir's Patented Auto Free Fall (HFF600S), or Free Fall with Manual Release are all available.

Designed for vessels 5-8m (16-26ft) and offering fast powered retrieval, smooth rope chain combination operation, reduced installation time, style and unbeatable reliability. Ideal for recreational users and for serious fishermen.

The H600S/HFF600S will weather the harshest of conditions and is backed by Muir's three year warranty and supported by an extensive worldwide service network.

Model	H600S & HFF600S
VESSEL LENGTH	5-8m 16-26ft
POWER SUPPLY (DC)	12V
MOTOR (Watts)	400
MAX LOAD	220kg 484lb
WORK LOAD	60kg 132lb
AMPS WORK LOAD	60
MAX LINE SPEED	23m/min 75ft/min
CHAIN SIZE	6mm (1/4")
CORE #116	Australian Shortlink and DIN 766
CORE #117	HT, 3B
ROPE SIZE (3PLY)	12mm 1/2"
NET WEIGHT	9kg 20lb

Features

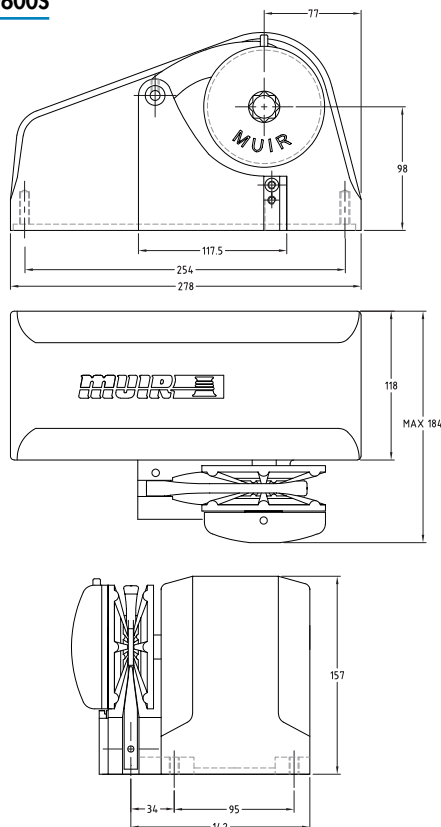
- Powerful 400w/12v DC permanent magnet motor coupled to heavy duty gearbox, offering greater pulling power and longevity
- Muir's anodized aluminium housing and top coat with quality AWL GRIP silver metallic finish looks stylish and made to last in the harshest of environments
- SS316 components, including SS316 Clutch Cap, Stripper and Peeler
- HFF600S with Muir's patented FreeFall design
- Motor & gearbox combination with CRC Soft Seal covering film provides additional protection and trouble free operation
- Simple above deck unit for the easiest of installations and minimal intrusion into the chain locker
- Compact design perfectly suited where deck area or chain locker space and depth is at a premium
- Designed and made in Australia

Standard package comprises

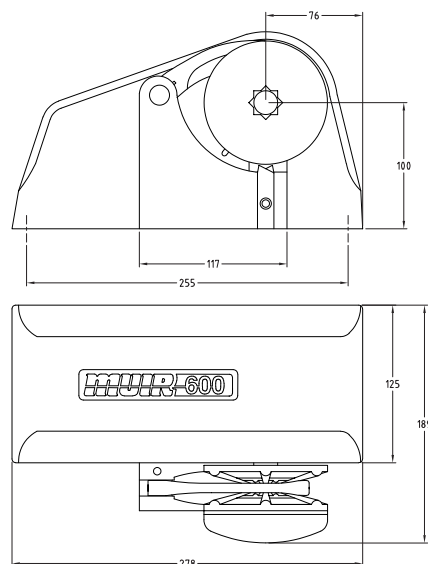
- Circuit breaker & mounting panel w/ LED
- Helm control rocker switch & mounting panel
- Reversing solenoid kit - 12v 2-4 pole
- Clutch release handle
- Installation & operation manual
- Deck mounting studs & fasteners



H600S/HFF600S



HFF600



Easyweigh H900/V900



EASYWEIGH vertical and horizontal windlasses are suitable for boats from 6 –11m (20–37ft).

The housing is made of highly polished 316 Stainless steel. The powerful and compact windlasses have been designed for vessels with limited space under the deck.

Easy to install and works with chain only or rope and chain combination.

Model	Horizontal 900W	Vertical 900W
VESSEL LENGTH	6–11m 20–37ft	6–11m 20–37ft
POWER SUPPLY (DC)	12V	12V
MOTOR (Watts)	900	900
MAX LOAD	350kg 772lb	220kg 485lb
WORK LOAD	180kg 396lb	80kg 176lb
AMPS WORK LOAD (DC)	100	80
MAX LINE SPEED	23m/min 75ft/min	23m/min 75ft/min
CHAIN SIZE	6 mm (1/4")	6 mm (1/4")
Short link	8mm (5/16")	8mm (5/16")
ROPE SIZE (3PLY)	12 mm (1/2") 14mm (9/16")	12 mm (1/2")
NET WEIGHT	13kg 28lb	9kg 20lb

Features

- Compact anchoring system to suit boats from 6m to 11m
- 316 Stainless Steel components
- Includes reversing solenoid, 100 amp circuit breaker and Helm Station up/down rocker switch
- Installation instructions included with full electrical wiring diagram and backed by Muir's 3 year limited warranty
- Simple installation
- Deck mounting studs & fasteners



V900

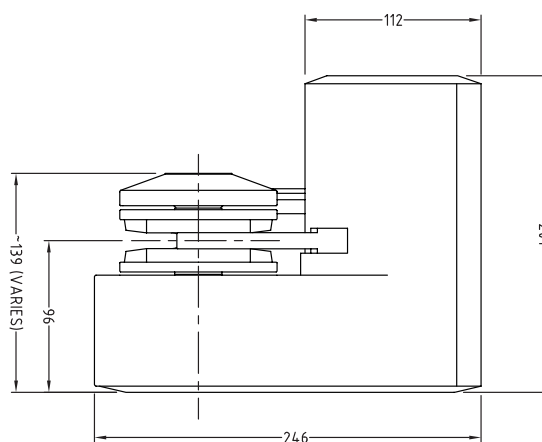
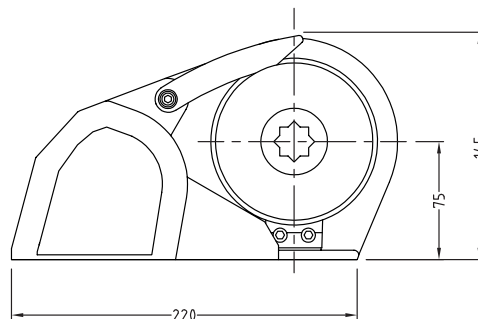


H900

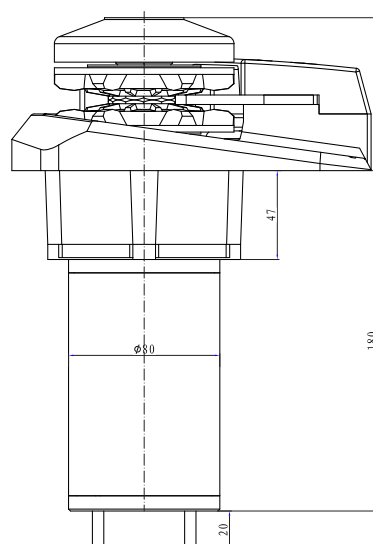
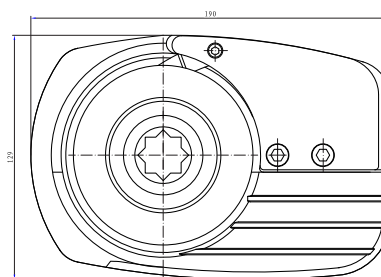


**EASY
WEIGH**

H900



V900



Compact HR1600/2500



Model	HR1600 Cougar	HR2500 Cheetah
VESSEL LENGTH	9–13m 29–42ft	13–17m 42–55ft
POWER SUPPLY (DC)	12/24V	12/24V
MOTOR (Watts)	1000	1200
HYDRAULIC PRESSURE	N/A N/A	10MPa 1450PSI
HYDRAULIC FLOW	N/A N/A	20L/min 5.5gal/min
MAX LOAD	545kg 1200lb	1136kg 2500lb
WORK LOAD	125kg 275lb	284kg 624lb
AMPS WORK LOAD	125/60	150/75
MAX LINE SPEED	14.5m/min 46ft/min	15m/min 48ft/min
CHAIN SIZE	6 mm (1/4") 8mm (5/16") 10mm (3/8")	8mm (5/16") 10mm (3/8")
NET WEIGHT	DC 25kg HYD 24kg DC 55lb HYD 53lb	DC 36kg HYD 35kg DC 79lb HYD 77lb
MANUAL OPERATION	MORS (std)	MORS (std)

Features

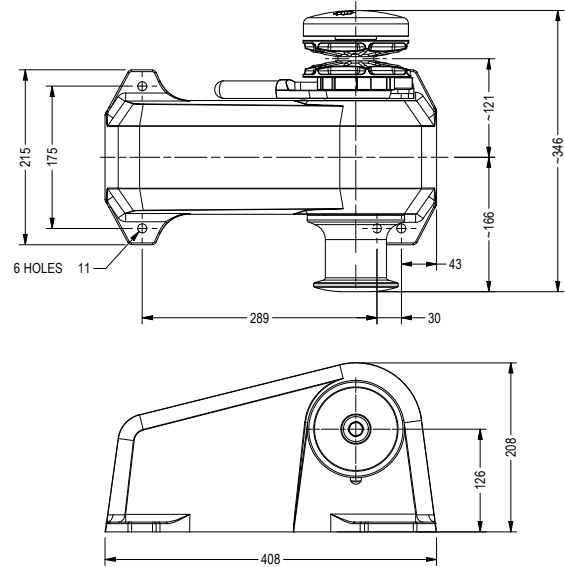
- Chain only
- Manual Override System
- Gypsy lock/pawl
- Chain pipe & peeler
- Heavy duty dual direction motor in 12 & 24V DC (Hydraulic HR2500 only)
- Durable marine grade white gloss composite housing
- Fully enclosed motor & gearbox
- Independent gypsy and capstan operation
- Luxury chromed marine grade bronze / 316 Stainless steel running gear
- Stainless steel drive shaft
- Cone clutch/brake
- Shaft seal
- Clutch release handle
- Installation/Operation booklet
- Front double twin footings.



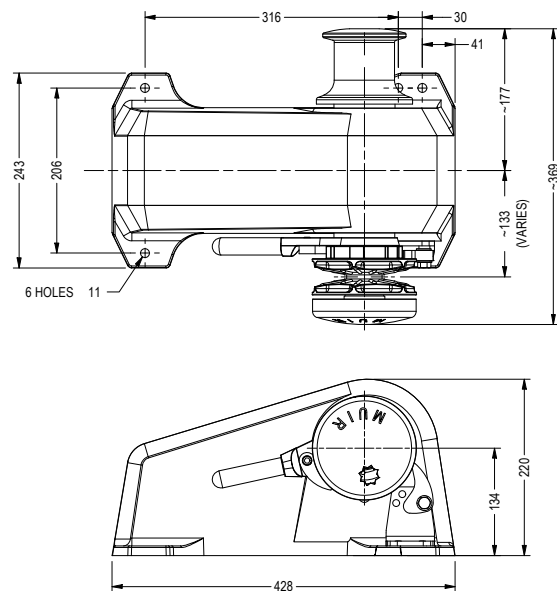
Options

- Twin gypsy, twin capstan
- Traditional polished bronze finish on running gear
- Full range of accessories including chain, chain pipes, chain stoppers, snubber kits & devil claws
- Electric & hydraulic operating options & accessories
- Auto anchor - chain counter.

HR1600 Cougar



HR2500 Cheetah



Compact HR3500/4000/4200



Model	HR3500 Jaguar	HR4000 Thor	HR4200 Thor
VESSEL LENGTH	14–20m 45–65ft	18–24m 58–77ft	18–25m 58–80ft
POWER SUPPLY (DC)	12/24V	24V	24V
MOTOR (Watts)	1500	1500	2000
HYDRAULIC PRESSURE	10MPa 1450PSI	12MPa 1750PSI (max)	12MPa 1750PSI (max)
HYDRAULIC FLOW	28L/min 7.5gal/min	28L/min 7.5gal/min	28L/min 7.5gal/min
MAX LOAD	1590kg 3500lb	1818kg 4000lb	2045kg 4500lb
WORK LOAD	400kg 800lb	454kg 1000lb	500kg 1100lb
AMPS WORK LOAD	185/90	90	110
MAX LINE SPEED	15m/min 48ft/min	13.5m/min 44ft/min	13.5m/min 44ft/min
CHAIN SIZE	8mm (5/16") 10mm (3/8") 13mm (1/2")	10mm (3/8") 13mm (1/2") 16mm (5/8")	10mm (3/8") 13mm (1/2") 16mm (5/8")
NET WEIGHT	DC 58kg DC 128lb HYD 57kg HYD 125lb	DC64kg DC140lb HYD63kg HYD139lb	DC64kg DC140lb HYD63kg HYD139lb
MANUAL OPERATION	MORS (std)	MORS (std)	MORS (std)

Note: Rope can also be used but is not recommended for larger vessels.

Features

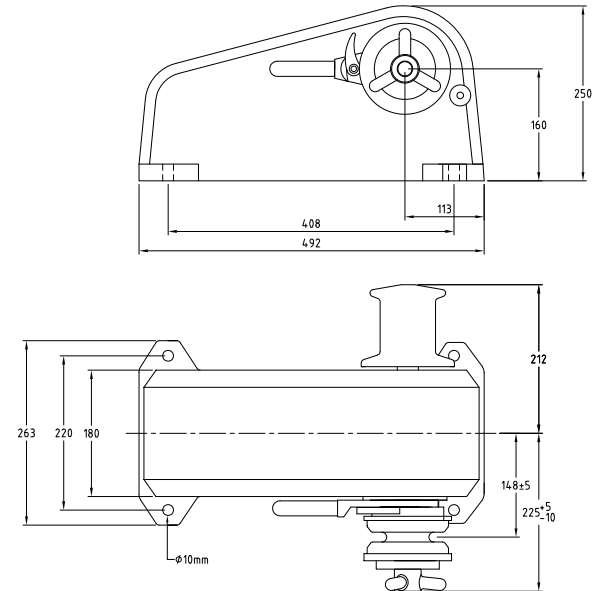
- Chain only
- Manual Override System (MORS)
- Gypsy lock/pawl
- Cleat on housing
- Heavy duty dual direction motor in 12 & 24V DC, Hydraulic
- Durable marine grade white gloss finish alloy housing
- Fully enclosed motor & gearbox
- Independent gypsy and capstan operation
- Luxury chromed marine grade bronze / 316 Stainless steel running gear
- Stainless steel drive shaft
- Cone clutch/brake
- Shaft seal
- Clutch release handle
- Installation/Operation booklet
- Chain pipe & peeler



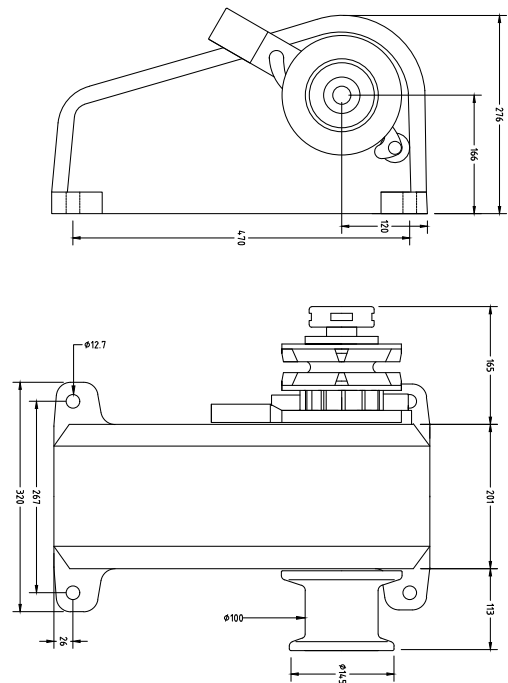
Options

- Twin gypsy, twin capstan
- Housing without cleat
- Traditional polished bronze finish on running gear
- Full range of accessories including chain, rope, chain pipes, chain stoppers, snubber kits & devil claws
- Electric & hydraulic operating options & accessories
- Auto anchor-chain counter.

HR3500 Jaguar



HR4000/4200 Thor





Vertical Powered Capstans

Designed to suit vessels up to 27m (88ft) the Muir range of capstans provide reliable and heavy duty operation for mooring, warping and anchoring for all recreational and commercial applications.

Efficient and quick they can be installed independently or as a complete system with windlasses.

Manufactured to the highest quality standard, featuring heavy chrome and gear drive assembly.

Accommodating varying deck thicknesses, they are popular for line hauling and fishing purposes. Available in 12 & 24 volt, Hydraulic & AC options.

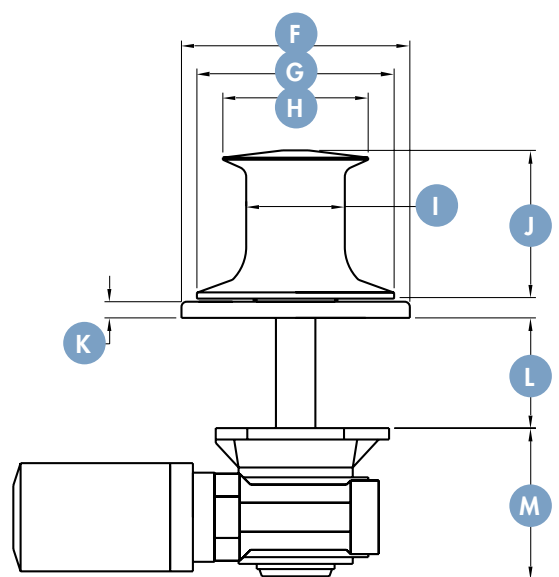
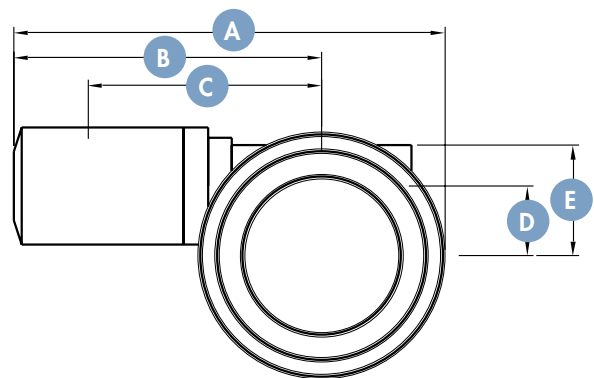
Features

- Deck hugging snag free design
- Unit can be mounted horizontally
- Luxury chrome finish over marine grade bronze or 316 Stainless steel on some models
- Capstan features heavy duty knurled finish for increased grip
- Heavy duty dual direction motor in 12 & 24V, AC & Hydraulic
- Stainless steel shaft
- Stainless steel mounting bolts
- Installation/Operation booklet



Options

- Inline drive options see page 26
- AC option (VC2500/3500/4000)
- Traditional polished bronze finish
- Heavier duty motor for lifting and fishing use
- Extra deck clearance kit for any deck thickness
- Full range of accessories including rope, snubber kits and deck switches
- Electric & hydraulic operating options & accessories



Vertical Powered Capstans

VC500/650/850/2500/3500



Model	VC500	VC650	VC850	VC2500	VC3500
VESSEL LENGTH	5–9m 16–29ft	8–11m 26–36ft	9–14m 29–45ft	14–22m 45–70ft	16–27m 51–86ft
POWER SUPPLY (DC)	12V	12/24V	12/24V	12/24V	12/24V
MOTOR (Watts)	600	600	1000	1200	1500
HYDRAULIC PRESSURE	N/A N/A	N/A N/A	N/A N/A	10MPa 1450PSI	11MPa 1600PSI
HYDRAULIC FLOW	N/A N/A	N/A N/A	N/A N/A	20L/min 5.5gal/min	28L/min 7.5gal/min
MAX LOAD	115kg/227kg 253lb/500lb	295kg 650lb	386kg 850lb	1136kg 2500lb	1490kg 3285lb
WORK LOAD	29kg/57kg 63lb/125lb	74kg 162lb	97kg 212lb	284kg 625lb	350kg 772lb
AMPS WORK LOAD	75	75/40	125/60	150/70	185/90
MAX LINE SPEED	25m/min 80ft/min	20m/min 64ft/min	24m/min 77ft/min	15m/min 48ft/min	16m/min 53ft/min
CHAIN SIZE	N/A N/A	N/A N/A	N/A N/A	N/A N/A	N/A N/A
ROPE SIZE	10mm (3/8") 12 mm (1/2")	10mm (3/8") 12mm (1/2")	10mm (3/8") 14mm (9/16")	12mm (1/2") 19mm (3/4")	14mm (9/16") 25mm (1")
NET WEIGHT	DC 9kg DC 20lb	DC12kg DC26lb	DC 16kg DC 35lb	DC 25kg / HYD 23kg DC 55lb / HYD 51lb	DC 27kg / HYD 19kg DC 59lb / HYD 42lb

Vertical Powered Capstan Dimensions

Model	VC500	VC650	VC850	VC2500	VC3500
A	262mm 10.31"	277mm 10.90"	315mm 12.40"	425mm 16.73"	438mm 17.24"
B	198mm 7.79"	220mm 8.66"	245mm 9.65"	328mm 12.91"	328mm 12.91"
C	N/A N/A	N/A N/A	N/A N/A	261mm 10.28"	261mm 10.28"
D	45mm 1.77"	45mm 1.77"	49mm 1.93"	62mm 2.44"	62mm 2.44"
E	71mm 2.79"	71mm 2.79"	80mm 3.15"	97mm 3.82"	97mm 3.82"
F	127mm 5.0"	114mm 4.49"	139mm 5.47"	190mm 7.48"	220mm 8.66"
G	100mm 3.94"	114mm 4.40"	133mm 5.24"	190mm 7.48"	190mm 7.48"
H	82mm 3.23"	104mm 4.09"	108mm 4.25"	140mm 5.51"	140mm 5.51"
I	63mm 2.48"	75mm 2.95"	85mm 3.35"	95mm 3.74"	95mm 3.74"
J	75mm 2.95"	95mm 3.74"	118mm 4.65"	142mm 5.59"	142mm 5.59"
K	7mm 0.27"	7mm 0.27"	12mm 0.47"	10mm 0.39"	10mm 0.39"
L	54mm 2.12"	51mm 2.00"	51mm 2.00"	112mm 4.40"	112mm 4.40"
M	98mm 3.86"	100mm 3.93"	144mm 5.67"	146mm 5.75"	146mm 5.75"

Inline Vertical Capstan VC800



Model	VC800 Pot Hauler
VESSEL LENGTH	Up to 11m Up to 36ft
POWER SUPPLY (DC)	12V
MOTOR (Watts)	600
MAX LOAD	180kg 396lb
WORK LOAD	36kg 80lb
AMPS WORK LOAD	75
MAX LINE SPEED	39m/min 128ft/min
CHAIN SIZE	N/A N/A
ROPE SIZE	Up to 12mm Up to 1/2"

Muir introduce the new Inline drive capstans, delivering more power when you need it. These highly efficient and light weight capstans are fitted with a 600w one piece integrated gearbox/ motor assembly which provides increased power and speed normally not achieved with conventional gear systems.

The one piece assembly significantly reduces installation time and is ideal for use where below deck space is restricted.

Designed to suit vessels up to 11 m (36ft) the Inline capstan can be used for mooring, warping, anchoring, line hauling and fishing from any direction and are well suited to any application in either vertical or horizontal mounting positions.

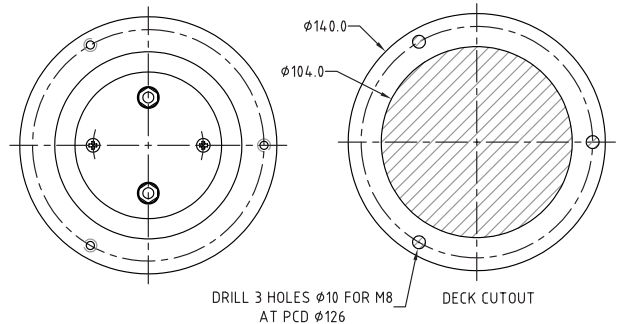
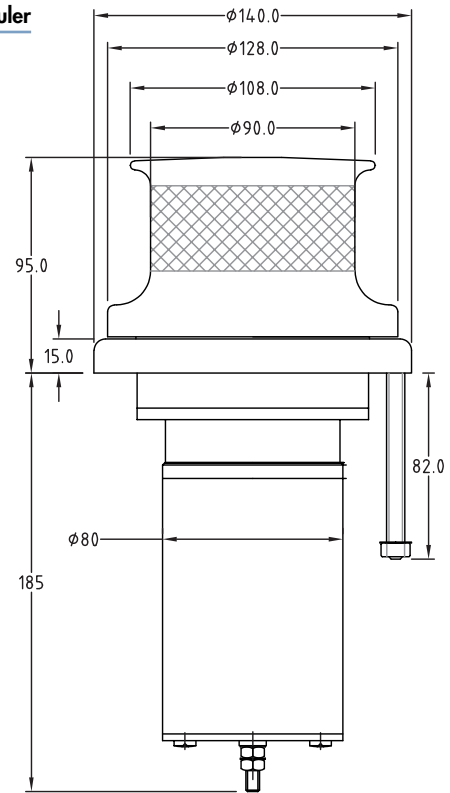
Accommodating various deck thickness, these models are available in 12V DC.

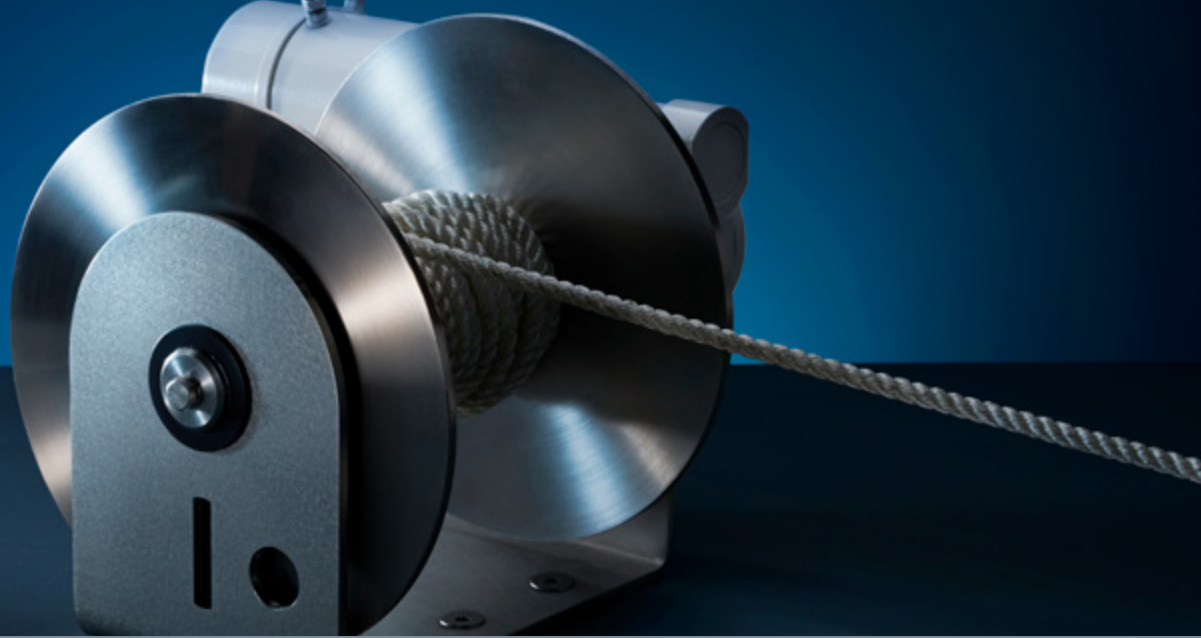
Features

- VC800 has 316 Stainless Steel Capstans
- Capstan features knurled finish for increased grip
- VC800 has clockwise rotation and has auto action clutch to prevent rollback
- Unit can be mounted horizontally
- Stainless steel mounting bolts
- Shaft seal
- Installation/Operation booklet
- Deck switch included



VC800 Pot Hauler





Drum Winches

Muir's patented range of drum winches varies from Auto Free Fall, Power Up & Power Down, as well as Manual Release Free Fall. They are all available to you in one unit making anchoring easy, fast, and reliable, and they do not require any more space than a standard drum winch.

Our models suit boats from 4 to 14 metres (13–47ft), with a larger drum capacity than any other free falls on the market.

- Mechanical auto & manual release free fall means no troublesome electronics need to be mounted on the drum or in your chain locker.
- Drum shaft on a serviceable bearing centre for smooth hassle free operation even under full load.
- Muir-designed HDPE & UV protected heavy duty brake means no over-run of the drum during free fall.
- All Muir free falling drum winches are supplied with a circuit breaker, reversing solenoid pack, helm control switch and fascia panels, as well as simple tools & hardware for an easy 30 second adjustment from Auto Free Fall; to manual free fall and power up/power down options.
- Larger drum capacity than other free falls on the market.
- Does not require any more space than a standard drum winch.

FEATURES

- Compact anchoring system to suit boats with little or no anchor rode storage.
- Designed and made in Australia.
- Drum-316 Stainless Steel.
- 3 year limited warranty.
- Inc. reversing solenoid, circuit breaker and up/down rocker switch.
- Fitting instructions included with full electrical wiring diagram.
- Simple installation.
- "Tangle free" rope and chain operation.



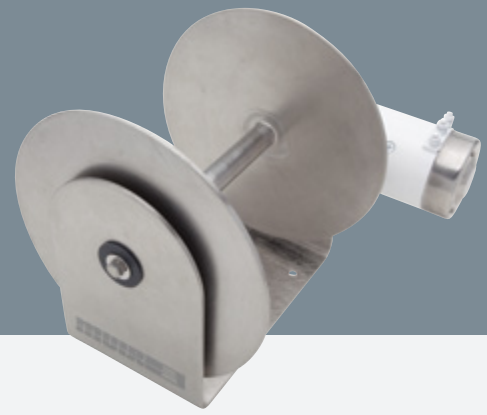
Drum Winch rope/
chain guide rollers



Drum Winches

Power Up/Power Down

DW06/08/10/12/15



Model	DW06	DW08	DW10	DW12	DW15
VESSEL LENGTH	4-7m 13-23ft	5-8m 16-26ft	8-10m 26-34ft	10-12m 34-40ft	12-14m 40-47ft
POWER SUPPLY (DC)	12V	12V	12/24V	12/24V	12/24V
MOTOR (Watts)	400	600	1000	1200	1500
MAX LOAD	120kg at 6m/min 264lb	180kg at 7m/min 400lb	260kg at 7m/min 575lb	312kg at 7m/min 690lb	390kg at 8m/min 860lb
WORK LOAD	40kg at 33m/min 88lb	55kg at 33m/min 121lb	75kg at 33m/min 165lb	90kg at 33m/min 198lb	112kg at 25m/min 247lb
AMPS WORK LOAD (DC)	60	80	125/60	150/70	185/90
MAX LINE SPEED	33m/min	33m/min	33m/min	33m/min	25m/min
CHAIN SIZE (Various)	6mm 1/4"	6-8mm 1/4-5/16"	8-10mm 5/16-3/8"	8-10mm 5/16-3/8"	10-12mm 3/8-1/2"
ROPE SIZE (Various)	6mm 1/4"	8mm 5/16"	10mm 3/8"	10mm 3/8"	12mm 1/2"
NET WEIGHT (KG)	15/16	15/16	30/31	32/34	35/37
CAPACITY (Drum)	80m of 6mm line 6m of 6mm chain	80m of 6mm line OR 80m of 8mm line 6m of 6mm chain	100m of 8mm line OR 80m of 10mm line 6m of 8mm chain	100m of 8mm line OR 80m of 10mm line 6m of 8mm chain	100m of 8mm line OR 80m of 10mm line 6m of 8mm chain

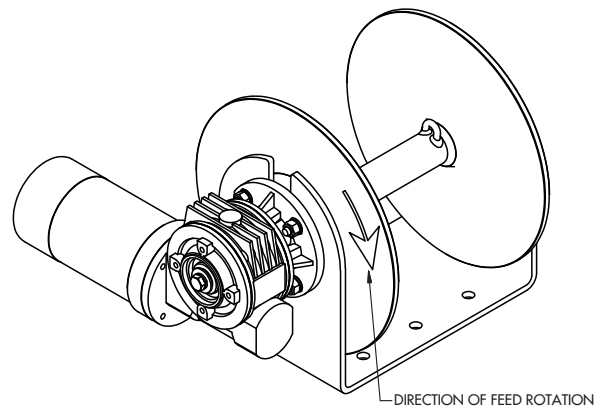
There are a number of important criteria to be considered when choosing the correct drum winch that will meet your needs. These include the vessel size, displacement, anchor size and rode selection. Muir offers an extensive range of drum winches with models to suit boats from 4 to 14 metres (13-47ft).

POWER UP / POWER DOWN OPERATION

If necessary the Freefall Drum Winch can be powered down without free-fall. This can be done by loosening the Declutcher with the Clutch Handle and allowing the Declutcher to drop to the bottom of the slot.

Features

- Designed and made in Australia.
- Drum-316 stainless Steel.
- Inc. Reversing Solenoid, circuit breaker and Up / Down Rocker switch.
- "Tangle free" rope and chain operation.
- Compact Anchoring system to suit boats with little or no anchor rode storage.
- Simple installation.
- Fitting Instructions Included with full electrical wiring diagram.
- 3 year limited warranty



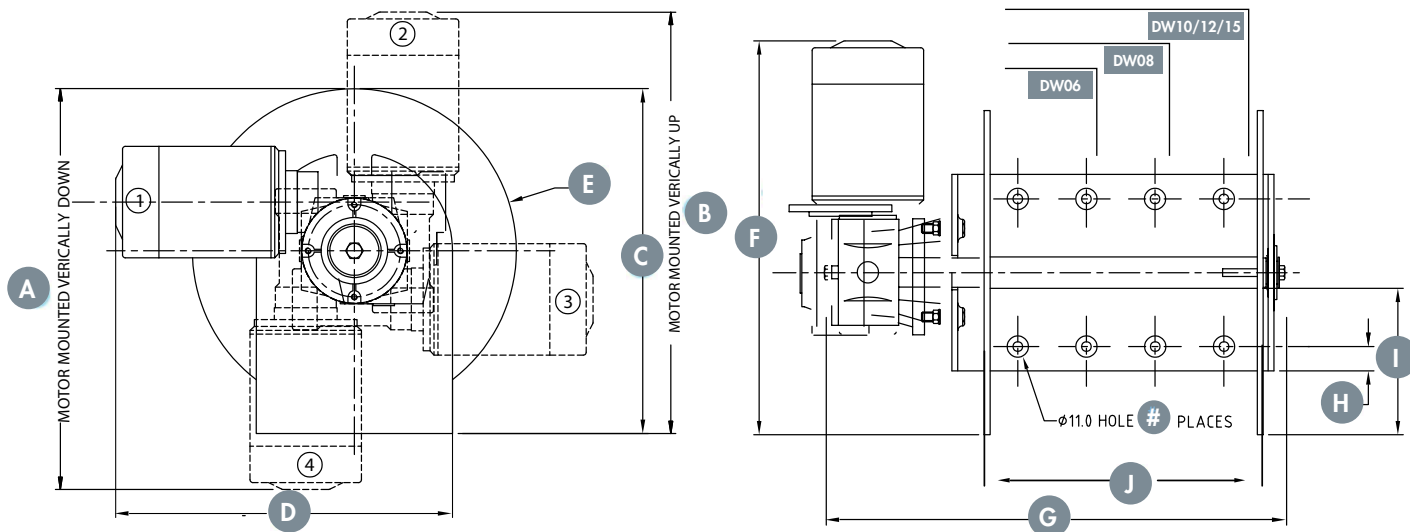
Drum Winches

Power Up/Power Down

DW06/08/10/12/15



DW06/08/10/12/15



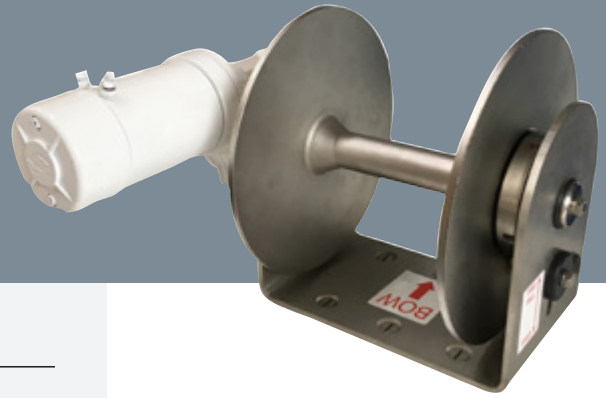
Drum Winch Dimensions

Model	DW06	DW08	DW10	DW12	DW15
A	295mm 11.65"	369mm 14.52"	408mm 16.06"	438mm 17.24"	Custom made model - for more details contact our distributor
B	293mm 11.53"	355mm 13.97"	429mm 16.88"	479mm 18.85"	
C	192mm 7.55"	235mm 9.25"	351mm 13.81"	351mm 13.81"	
D	285mm 11.22"	308mm 12.12"	348mm 13.70"	394mm 15.51"	
E	210mm 8.26"	245mm 9.64"	330mm 12.99"	330mm 12.99"	
F	246mm 9.68"	355mm 13.97"	401mm 15.78"	439mm 17.28"	
G	321mm 12.63"	367mm 14.44"	469mm 18.46"	517mm 20.35"	
H	20mm 0.78"	25mm 0.98"	25mm 0.98"	25mm 0.98"	
I	110mm 4.33"	110mm 4.33"	149mm 5.86"	149mm 5.86"	
J	140mm 5.51"	192.5mm 7.57"	272mm 10.70"	272mm 10.70"	
# of places	4	6	8	8	8

Drum Winches

FreeFall

DFF08/10



Model	DFF08	DFF10
VESSEL LENGTH	5–8m 16–26ft	8–10m 26–34ft
POWER SUPPLY (DC)	12V	12/24V
MOTOR (Watts)	600	1000
MAX LOAD	180kg at 7m/min 400lb	260kg 575lb
WORK LOAD	55kg at 33m/min 121lb	75kg at 33m/min 165lb
AMPS WORK LOAD (DC)	80	125/60
MAX LINE SPEED	33m/min	33m/min
CHAIN SIZE (Various)	6mm (1/4") 8mm (5/16")	8mm (5/16") 10mm (3/8")
ROPE SIZE (Various)	8mm (5/16")	10mm (3/8")
NET WEIGHT (KG)	15/16	30/31
CAPACITY (Drum)	80m of 6mm line OR 80m of 8mm line 6m of 6mm chain	100m of 6mm line OR 80m of 8mm line 6m of 6mm chain

FREEFALL

- Muir's patented Auto Freefall, or Manual Release Freefall are all available to you on the 1 unit!
- Mechanical Auto & Manual Release Freefall means no troublesome electronics need to be mounted on the Drum or in your chain locker.
- Drum Shaft on a serviceable bearing centre for smooth hassle free operation even under full load.
- Muir's designed HDPE & UV protected Heavy Duty Brake means no over-run of the Drum during Freefall.
- All Muir Freefall Drum Winches are supplied with Circuit Breaker, Reversing Solenoid Pack, Helm Control Switch and Fascia Panels, plus, Simple Tools & Hardware for an easy 30 second adjustment from Auto Freefall; to Manual Freefall and Power Up Power Down options!
- Installation Instructions and Service Manual provided, and backed by Muir's 3 year limited warranty!
- Anchoring made easy, fast, and reliable with a Muir Drum Winch.
- No electronic free-fall components to fail.
- Larger capacity than other Freefall Drums available on the market.
- Does not require any more space than the standard Drum Winch



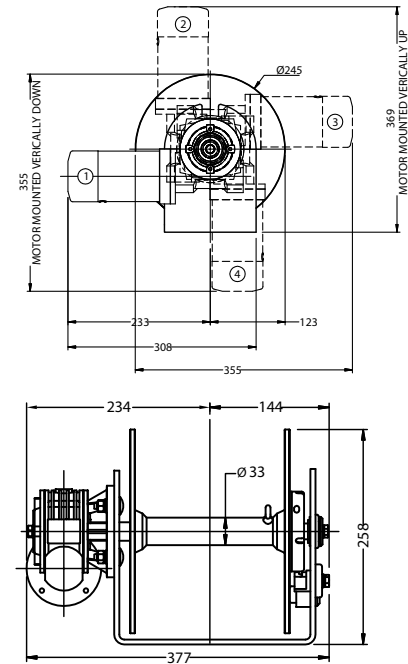
Features

- Compact Anchoring system to suit boats with little or no anchor rode storage.
- Designed and made in Australia.
- 3 year limited warranty.
- Drum-316 stainless Steel.
- Fitting Instructions Included with full electrical wiring diagram.
- Simple installation.
- "Tangle free" rope and chain operation
- Backing Plate available
- 4" & 6" Rollers available.

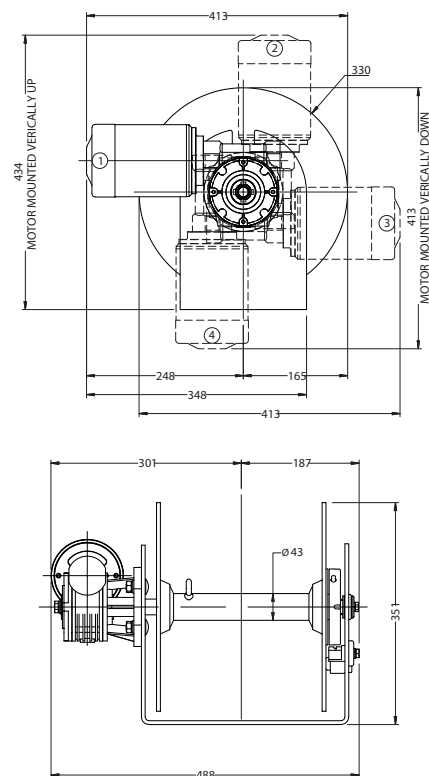


Drum Winch rope/
chain guide rollers

DFF08 FreeFall



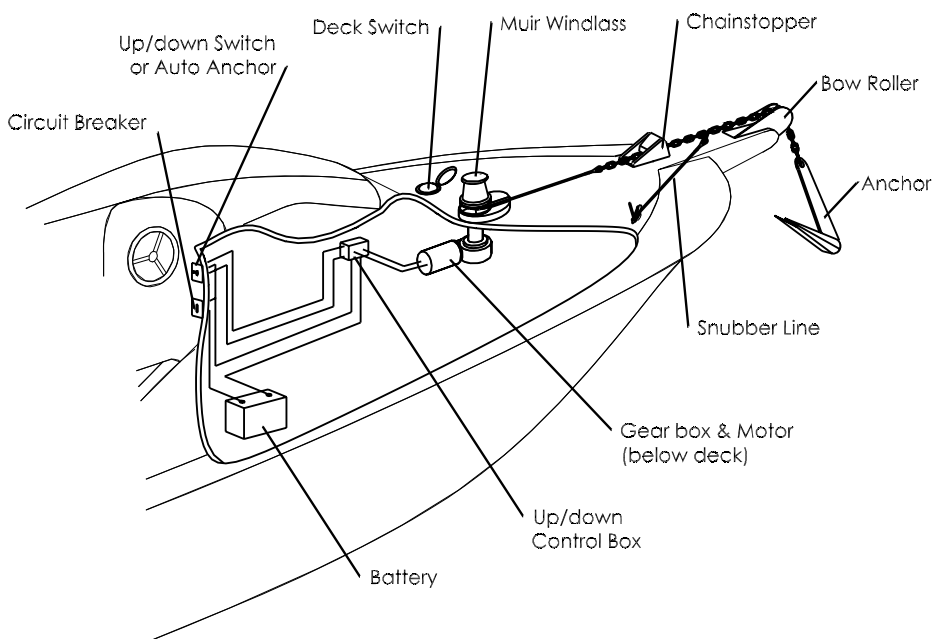
DFF10 FreeFall



Master Control Accessories



ACCESSORIES POSITIONING GUIDE



The Muir Master Control Accessories offer a complete control system for those wishing to enjoy all the energy-saving and single handed advantages of the latest technology. Master Control Accessories cover an extraordinary range of labour and time-saving devices that allow owners to enjoy their boating to the maximum, including operation of any anchor windlasses and accessories.

Master Control units are available in a range of capacities and power inputs including 12 & 24 volt, DC, AC and Hydraulic, and can be customised to suit individual requirements.

Standard Master Control Windlass Accessories vary between country of purchase and we ask that you refer to your distributor or retailer for details of Accessories included in your country.

Muir Master Control Accessories feature solid-state electronics for electric and hydraulic on-board controls.



CIRCUIT BREAKER / ISOLATOR PANEL

Muir circuit breaker/isolator panels will suit a wide range of windlasses and capstans. Featuring an on-off switch, they ensure protection against a circuit short by reducing the risk of a motor burn out. Manufactured from marine grade materials, available in 60, 80, 100 and 150 AMPS to suit 12 and 24 volt applications, this unit can also be utilised as a battery isolator when the windlass is not in use.



AUTO ANCHOR – WINDLASS CONTROLLER AND RODE COUNTER AA150 / AA560

***WIRELESS OTPTION AVAILABLE**

AA710 / AA570

Automatic and remote control operation for single handed anchoring. The Auto anchor determines the amount of chain deployed and provides one-touch automatic retrieval (or rode counter only - AA150).

Featuring a modern console with protective cover: enhanced sensors and large backlit LCD display. Safety lock prevents accidental windlass operation.



REMOTE UP/DOWN CONTROL

Muir up/down switches provide simple remote operation of all windlasses from the helm, fly bridge or cockpit. Compact and modern in design and manufactured from marine grade materials, they are available in 12 and 24V DC.

System Accessories



PORTABLE HAND PENDANT CONTROL UNIT AA320/ AA342 / AA710 WIRELESS IP67 WEATHER RATING

These highly sophisticated weatherproofed solid-state modules give you complete control of your winch/windlass operations from anywhere on your boat enabling the operator to visually check the anchor under retrieval. They simply plug into the socket fitted on the foredeck, at the helm or cockpit. Available for all windlass and capstan models.

Radio control units are available providing total freedom for operation.



FOOTSWITCHES

Heavy duty up down switches fitted with poly carbon flip top covers and hard-wearing U.V stabilised neoprene boot and each unit is supplied with instructions and fitting screws. Suitable for 12 and 24 volt applications, nickel plated copper contacts provide corrosion free operation. Available in black/white and stainless steel finishes.



MANUAL HANDLES

Muir windlasses use standard winch handles for clutch release and manual operation. High strength floating plastic handles are light weight. Available in various sizes.



CHAIN STOPPER WITH LOCKING ARM AND DEVIL CLAW

Following the same principal of the conventional chain stoppers and separate devil claw, this unique arrangement offers additional safety. The devil claw hooks onto the chain and provides tension on the chain while the anchor is stowed ensuring additional hold while under way. The devil claw can be easily removed or simply secured off to the side.

The combined set provides increased safety. Available to suit chain from 8–38mm (5/16"– 1 1/2").



DUAL DIRECTION SOLENOID 3P-4P

Heavy duty solenoids provide reversing at the flick of a switch for all Muir model windlasses and capstans in 12V or 24V DC. Used in conjunction with deck switches, remote up/down panels and auto anchor. A second station requires only up-down switch without solenoids.



DRUM WINCH GUIDE ROLLERS

Drum Winch rope/chain quality guide rollers fabricated with 316 stainless steel available in various sizes to fit drum winches from DW06-DW15.

Anchor Chain



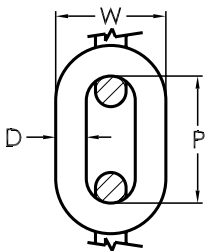
GALVANISED SHORT LINK CHAIN

Manufactured from mild steel, this calibrated chain is welded for high strength and hot dipped galvanised for minimal corrosion. Available in a selection of sizes and formations, it will fit all Muir chain gypsies as well as other windlass brands.

Grade L Short Link Chain

The most widely used certified anchor chain. Grade L is the highest quality lower tensile steel chain for lifting purposes.

Chain Size mm	WWL (tonne)	D (mm)	P (mm)	W (mm)	Links/m	Metres/100kg
6	0.4	6.3	18.8	21.6	53	110
8	0.64	8	23.8	27.8	42	69.9
10	1	10	29.8	34	33.6	43.9
13	1.7	12.5	38	42	26.5	28.9



ABBREVIATIONS

D Dia **W** width
P Pitch **MWL** Max wkg load/tonne

WWL Max mass which the chain hanging vertical shall support in general service

Note: Link dimensions and metres/100kg subject to commercial tolerances. Larger sizes and types available eg studlink, refer to Mega Catalogue or contact nearest Muir office.

ANCHOR AND SWIVEL SHACKLES

Grade S hot dipped galvanised and stainless steel shackles for all marine and commercial applications, ideally suited to Muir anchor chain. Available in bow and dee type with screw collar pins. Available for all chain and anchor types and sizes. Swivel shackles are available in galvanised and stainless steel to suit all chain sizes.

Note: Chain supply may vary in countries outside Asia/Pacific Region.



Anchor Rodes and Rope Chains



ANCHOR RODES OR ROPE CHAIN - CUSTOM KITS AVAILABLE

Muir Anchor Rodes are designed for optimal operation on all Muir rope - chain combination gypsies and provide a strong but light weight option to all chain operation. Muir utilise 3 strand nylon anchor rope (as detailed above) and Grade L shortlink chain. Special anchor rode are available on request, including stainless steel chain combinations. Windlass must be fitted with RCMS unit.



Rope Chain custom kit

Chain Size	Chain length metres (ft)	Rope Size mm (ft)	Rope length mm (ft)
6mm (1/4")	6m (19.2ft)	12mm (1/2")	45m (144ft)
6mm (1/4")	10m (32ft)	12mm (1/2")	45m (144ft)
8mm (5/16")	10m (32ft)	14mm (9/16")	45m (144ft)
10mm (3/8")	10m (32ft)	16mm (5/8")	45m (144ft)
13mm (1/2")	13m (42ft)	19mm (3/4")	50m (160ft)

SNUBBER LINE KITS

This simple device ensures minimal strain is placed on the windlass while at anchor. Often utilised while removing the chain from windlass or securing a stowed anchor. The stainless steel snubber line hook is fastened to the anchor rode, and the line is tied off to a cleat or bollard. Muir recommend use of a snubber line and a chain stopper with all windlasses, for bigger yachts consider a devil claw and chain stopper assembly.



Snubber Lines

Hook to suit chain size	Line size	Length of line
6mm (1/4")	12mm (1/2")	2m (6.4ft)
8mm (5/16")	14mm (9/16")	3m (9.6ft)
10mm (3/8")	16mm (5/8")	3m (9.6ft)
13mm (1/2")	19mm (3/4")	3m (9.6ft)
16mm (5/8")	22mm (7/8")	4m (12.8ft)



Muir products are sold, serviced and supported worldwide.



AUSTRALIA • EUROPE • USA • ASIA • PACIFIC • AFRICA

Copyright notice and disclaimer

Copyright in this publication is owned by Muir Engineering Group Pty. Ltd.
 Information in this publication is intended for general information only and does not constitute professional advice and should not be relied upon as such.
 No representation or warranty is made as to the accuracy, reliability or completeness of any information in this publication.
 Readers should make their own enquiries and reach to the nearest distributor before acting on or relying upon any of the information provided.
 Images used within this publication remain the property of the copyright holders.

Images courtesy of	PAGE #
• Baysport Boats Pty Ltd	29
• Maritimo (MFG) Internation Pty. Ltd.	7, 10, 13, 14, 18, 19
• SILVERYACHTS / Hanseatic Marine Engineering Pty. Ltd	5, 11
• Telwater Pty. Ltd.	20, 21
• Riviera Australia Pty. Ltd.	9, 14, 16, 23, 32, 33, 34
• Moonen Yachts	back cover

Muir reserves the right to alter specifications without notice. All rights reserved. While all due care and attention has been taken in the preparation of this catalogue no responsibility shall be taken for errors or omissions.

THIS CATALOGUE SHOULD NOT BE USED FOR INSTALLATION PURPOSES
 Any reference to MUIR or MUIR'S in this catalogue implies MUIR ENGINEERING GROUP PTY. LTD.
 ©2021 Muir Engineering Group Pty. Ltd.

The Muir Quality Management System is certified as being in conformity with ISO9001.





Head Office

100 Browns Road, Kingston
Tasmania, Australia 7050

T +61 (0)3 6229 0600

F +61 (0)3 6229 7030

E sales@muir.com.au

Queensland Branch

15/75 Waterway Dve, Coomera
Queensland, Australia 4209

T +61 (0) 7 5555 2222

New South Wales Branch

Unit D6, 1 Campbell Pde, Manly Vale
New South Wales, Australia 2093

T +61 (0) 2 9949 4084

An aerial photograph of a yacht's deck, showing two stainless steel anchor winches with blue covers and a central steering wheel. The deck is made of light-colored teak planking. The yacht's white hull and blue stripe are visible on the right side. The dark blue water of the sea is on the left.

**Since 1968.
Built to last.**

Muir anchoring systems on
M/Y BRIGADOON - 36m
Moonen Yachts



muir.com.au