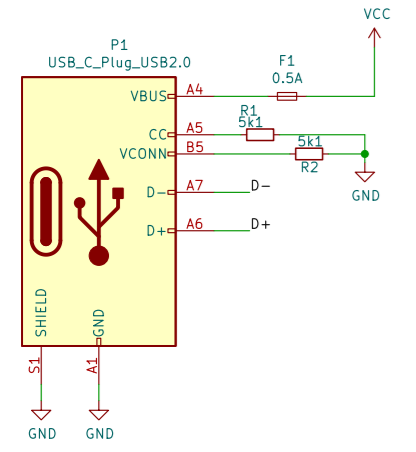
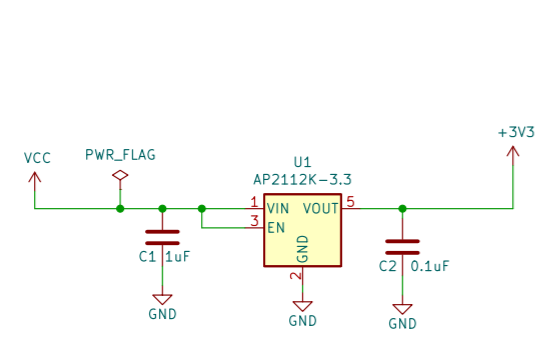


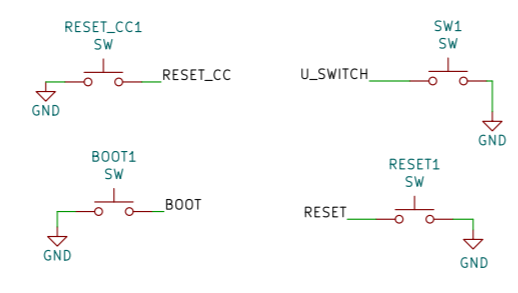
USB



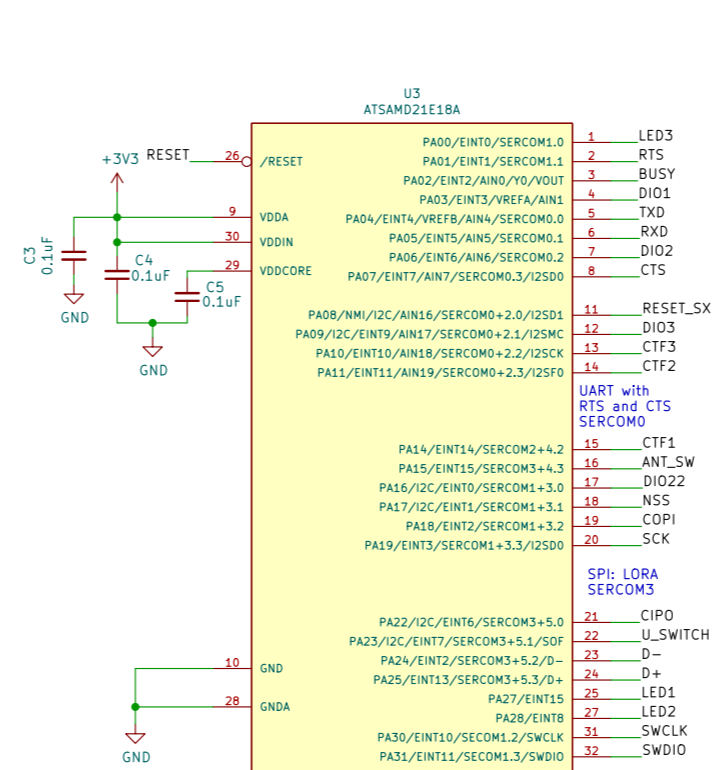
REGULATOR AND BATTERY



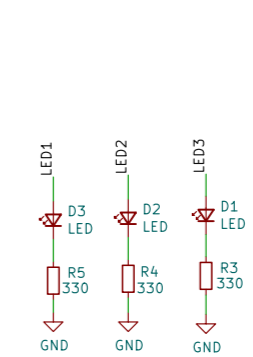
BUTTONS



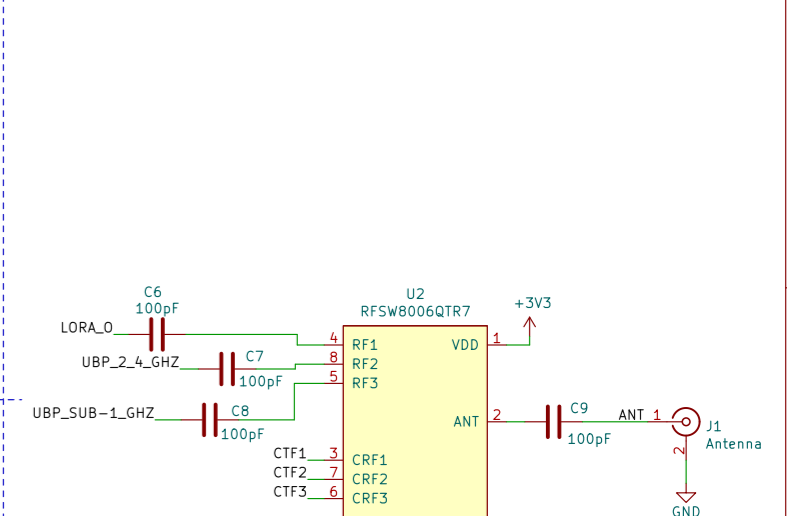
MICROCONTROLLER



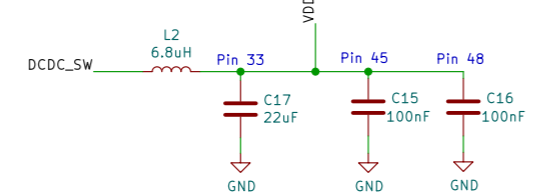
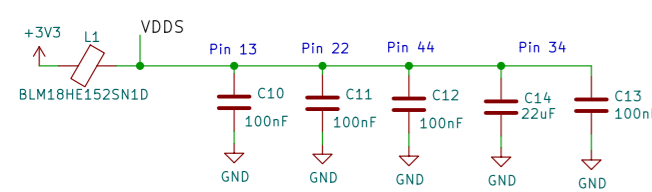
LEDS



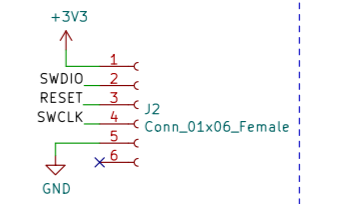
MAIN RF SWITCH



FILTERING VOLTAGE

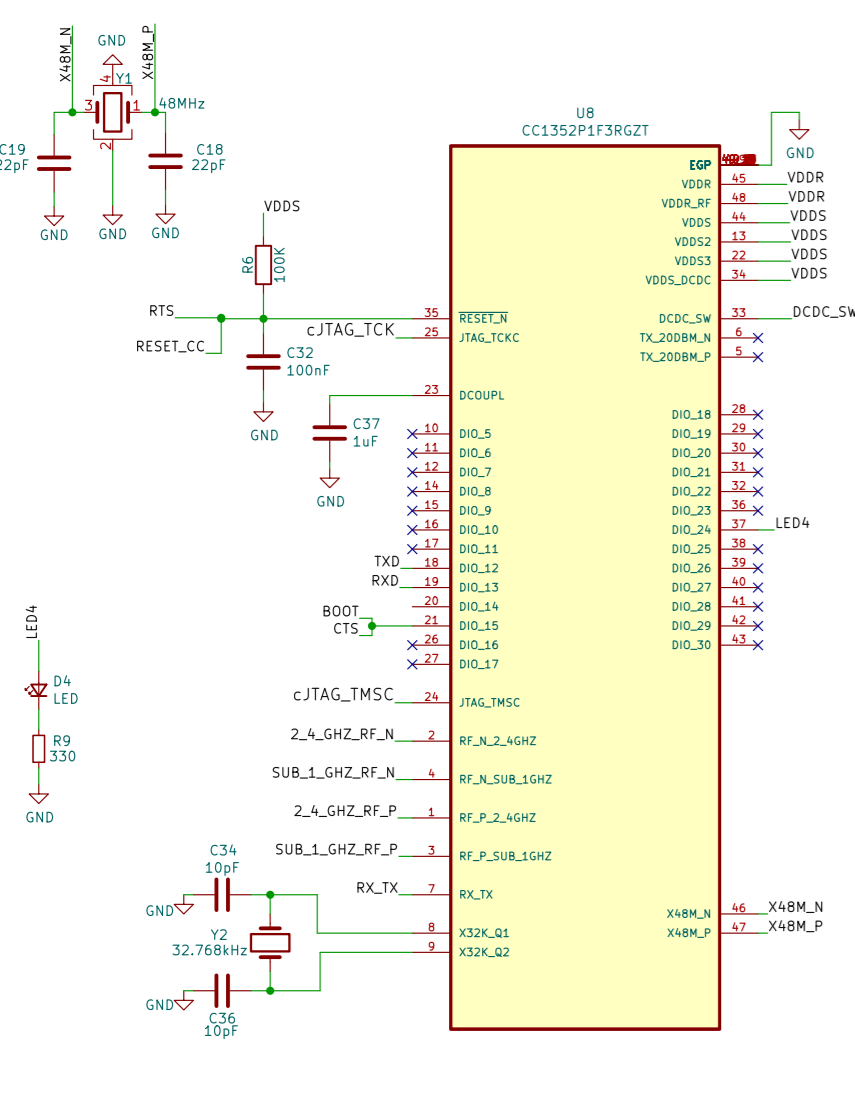


SWD FOR SAMD21

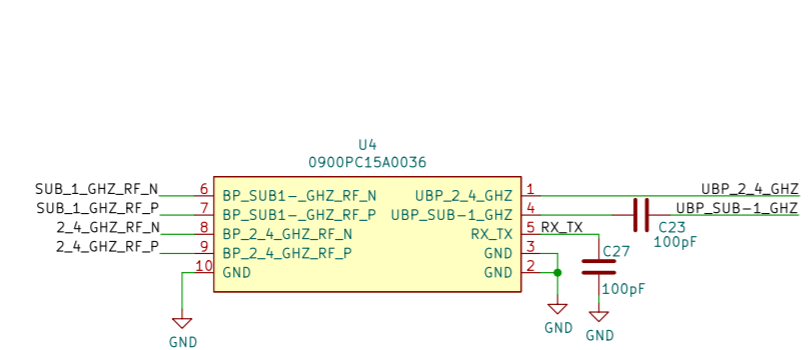


REF1	REF2	REF3	REF4
0	0	0	0
0	1	0	0
0	0	1	0
0	0	0	1

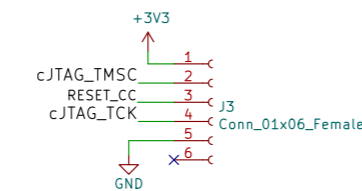
CC1352



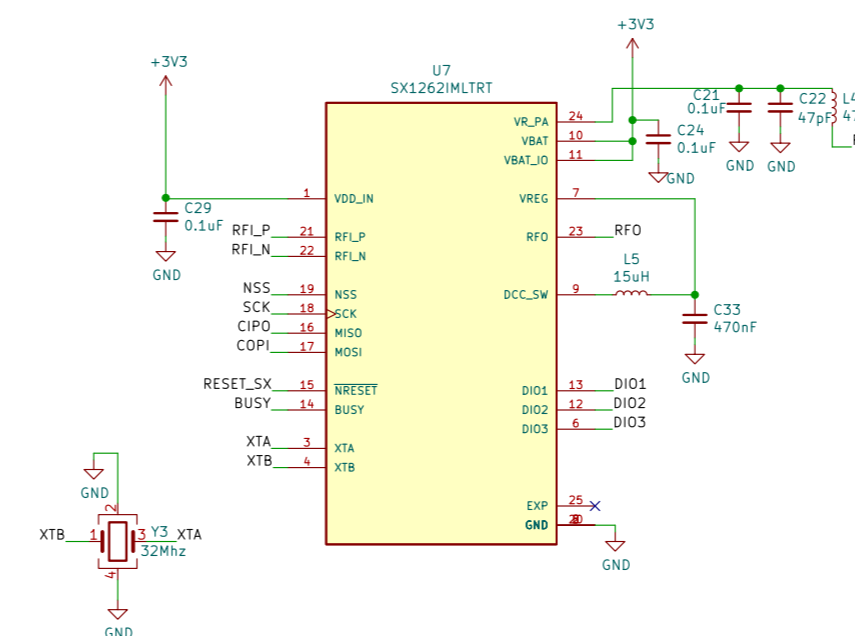
ANTENNA MATCHING 2.4 AND 1 GHZ



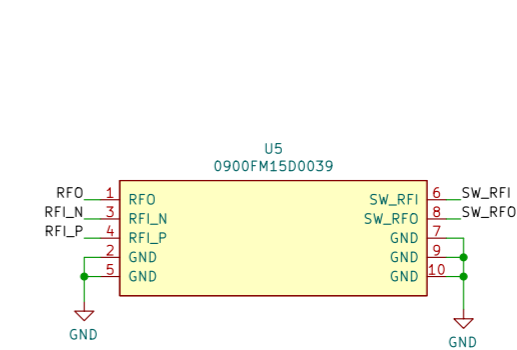
cJTAG - Matching CC1350



SX1262 AND RF SWITCH



ANTENNA MATCHING LORA



SWITCH LORA

