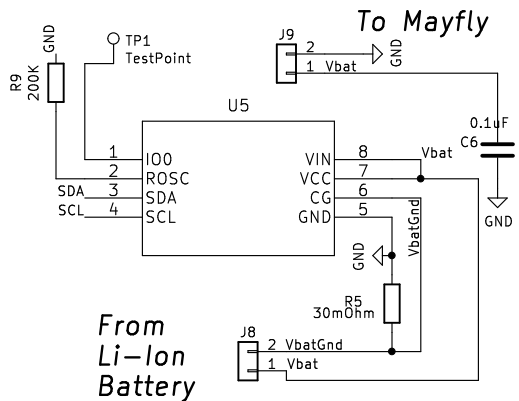


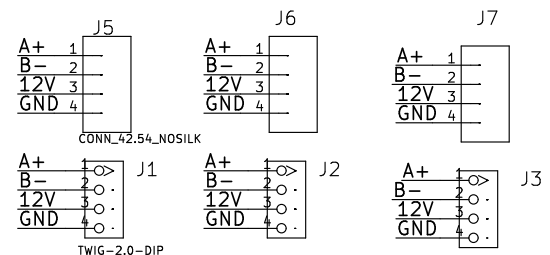
Options:
 R1=0 OR U3/J8/J9/R5=0
 R5=0 OR
 R5=0.030hms+U5/R9/C6+



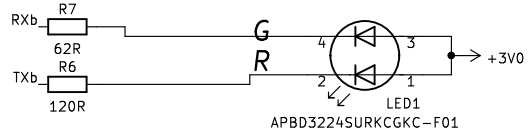
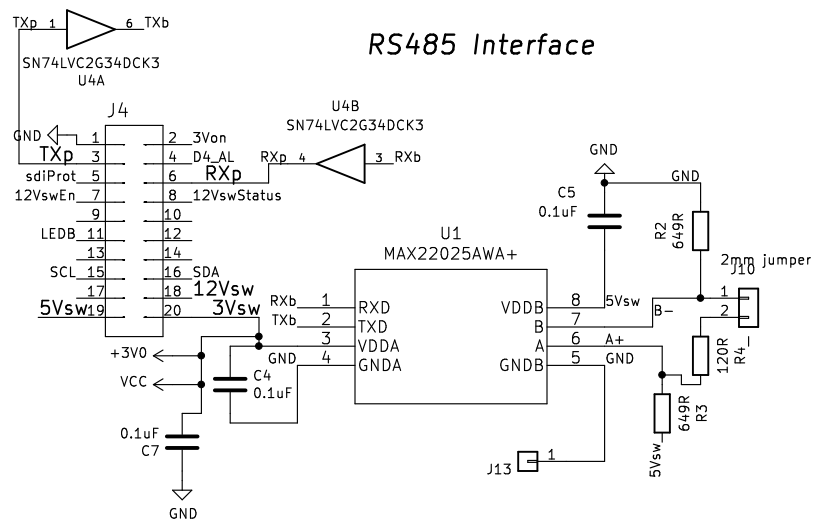
From
Li-Ion
Battery

To Mayfly

RS485 Connectors

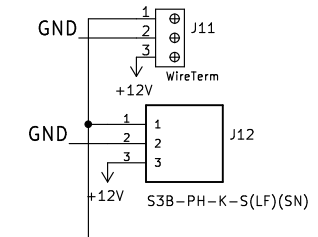


RS485 Interface

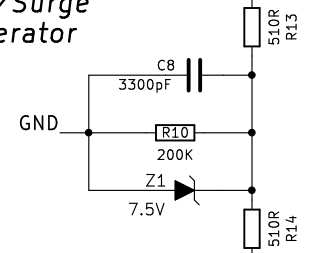


Green 2v1 1.0* 80->280mcd 570nm Last Flash
 Red 2v0 0.5*120->400mcd 630n First Flash

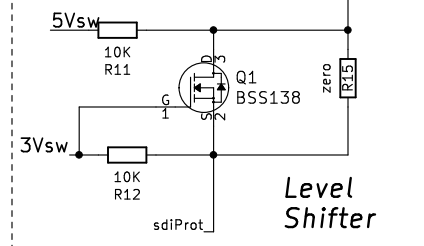
SDI-12 Connectors



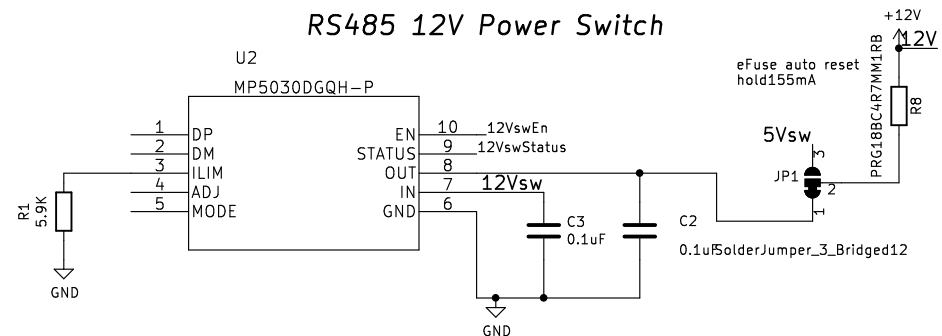
ESD/Surge Moderator



Level Shifter



RS485 12V Power Switch



**** For Discussion ****
 Copyright Neil Hancock
 Creative Commons - Attribution 3.0



Sheet: /		Date: 2022-02-15	
File: KNH002rev8.kicad_sch		Rev: 8	
Title: Mayfly RS485 Wingboard			
Size: A	KiCad E.D.A. kicad (6.0.2)		Id: 1/1