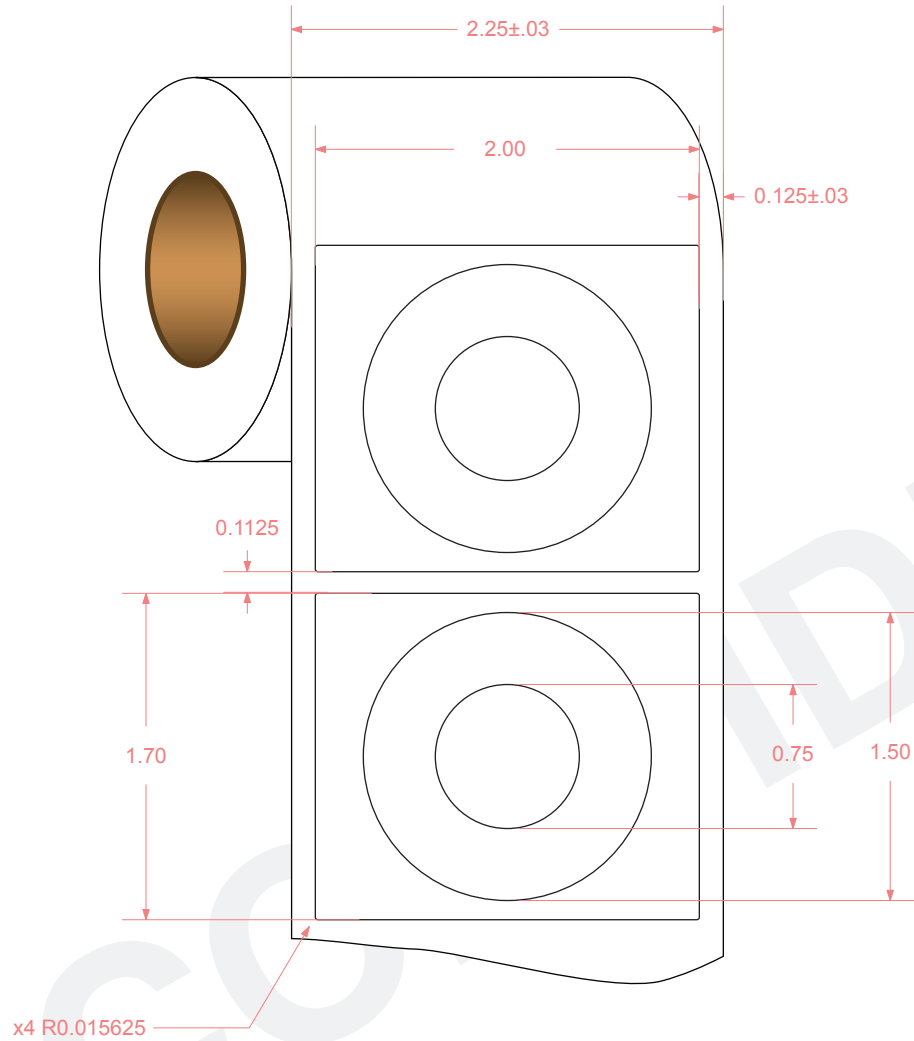


REVISIONS

REV	DATE	DESCRIPTION
B	02/02/2011	Per roll change (ECO#32230)



1. All dimensions are in inches.
2. All tolerances are +/- 0.010 unless otherwise noted.
3. Rolls of 1300 labels.

Computype, Inc.[®]
 38 Locke Road, Suite 4 Concord, NH 03301

**FLEX 2005123-1
 LABEL DRAWING**

DWG NO. 2005123-1	DRAWN BY AS	DESIGNED BY QT	Scale: 1:1	REV. B
ECO#: 32230	NPF#:	Date: 02/02/11		

DRAWINGS AND SPECIFICATIONS ARE THE PROPERTY OF COMPUTYPE INC. AND SHALL NOT BE COPIED, OR USED FOR MANUFACTURE AND/OR SALE WITHOUT WRITTEN PERMISSION OF COMPUTYPE INC.