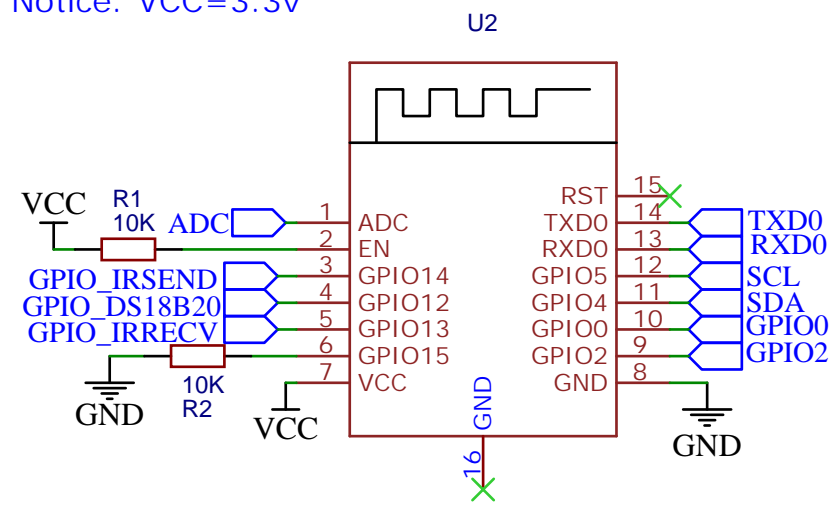
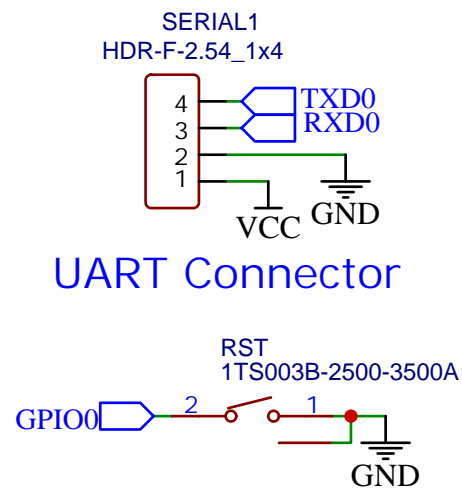


Notice: VCC=3.3v



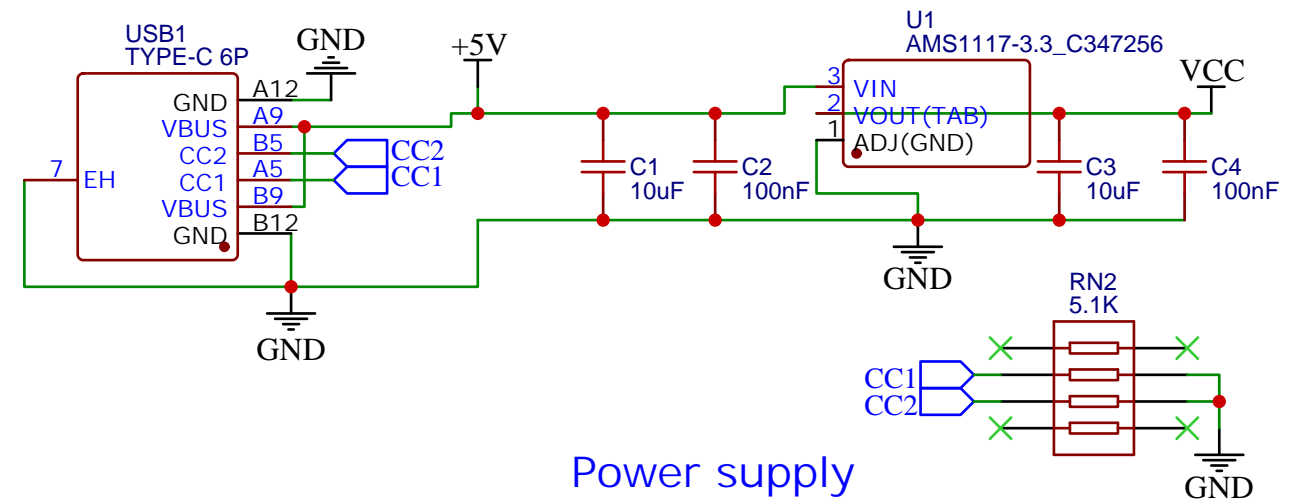
ESP8266-12F Core



UART Connector

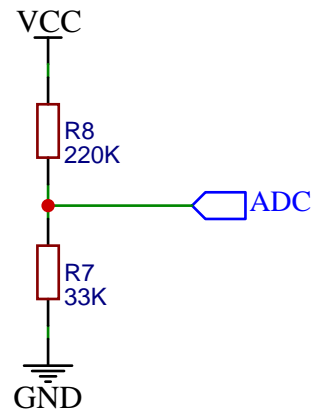
Mode select

Float: Flash Boot
Pull down: Prog



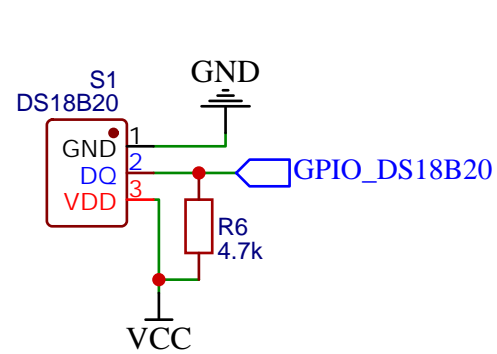
Power supply

Input: USB 5V DC
Output: VCC



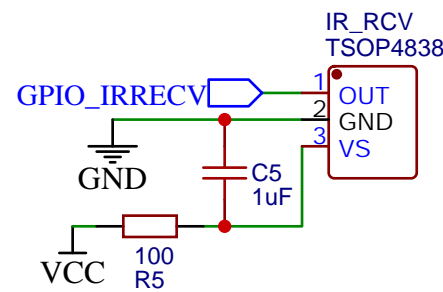
Hardware version

- 100K - 1.0V - ADC Max
- 75K - 0.839V
- 62K - 0.726V
- 51K - 0.621V
- 43k - 0.54V
- 33K - 0.396V - v1.3.0
- 20K - 0.275V - v1.2.0
- 10K - 0.143V - v1.1.0



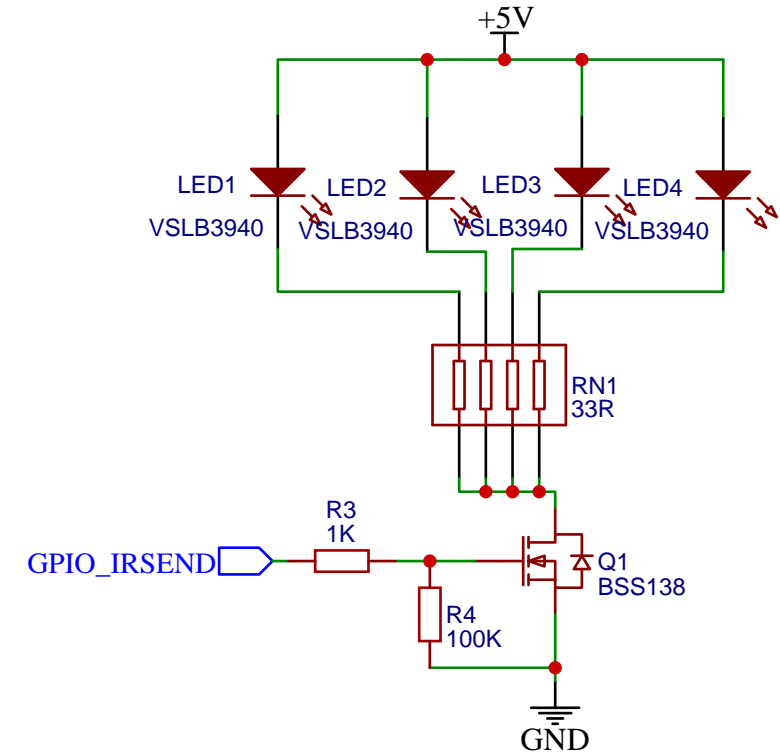
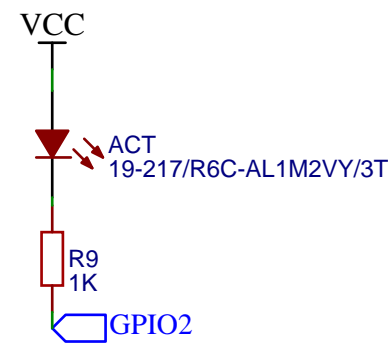
DS18B20

Backup Sensor



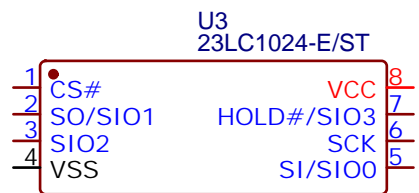
IR Receiver

TSOP38238



IR Blaster

VSLB3940



U3
23LC1024-E/ST

TITLE: IR Remote		REV: 1.3.0
EasyEDA	Company: Your Company	Sheet: 1/1
	Date: 2020-07-09	Drawn By: Mac209