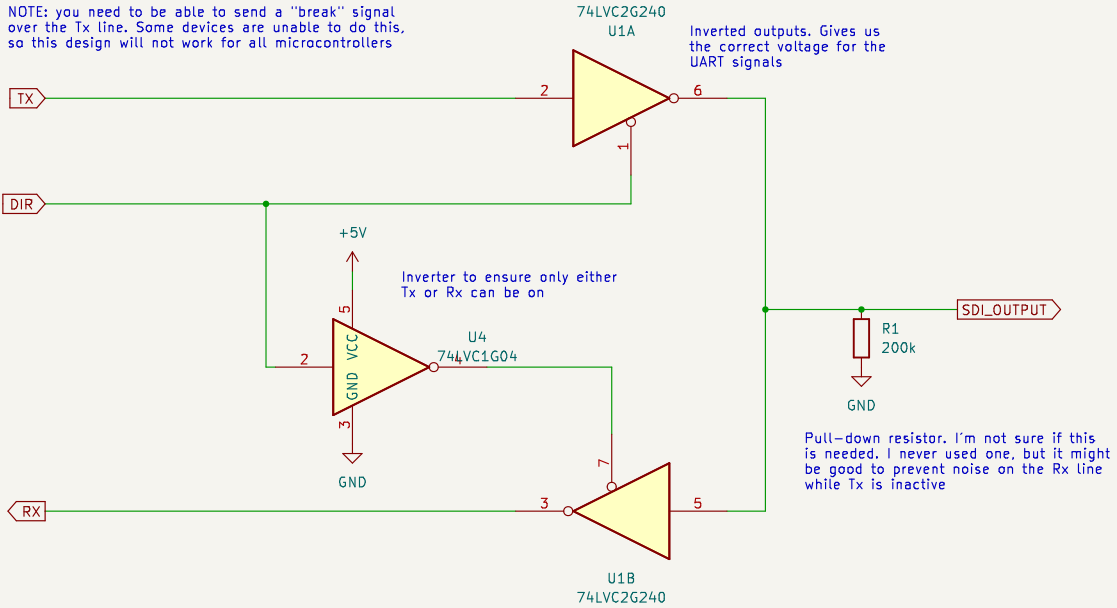


NOTE: you need to be able to send a "break" signal over the Tx line. Some devices are unable to do this, so this design will not work for all microcontrollers



Sheet: /  
File: config\_2.kicad\_sch

**Title:**

Size: A5 Date:  
KiCad E.D.A. kicad 7.0.11 - 7.0.11-ubuntu20.04.1

**Rev:**  
Id: 1/1