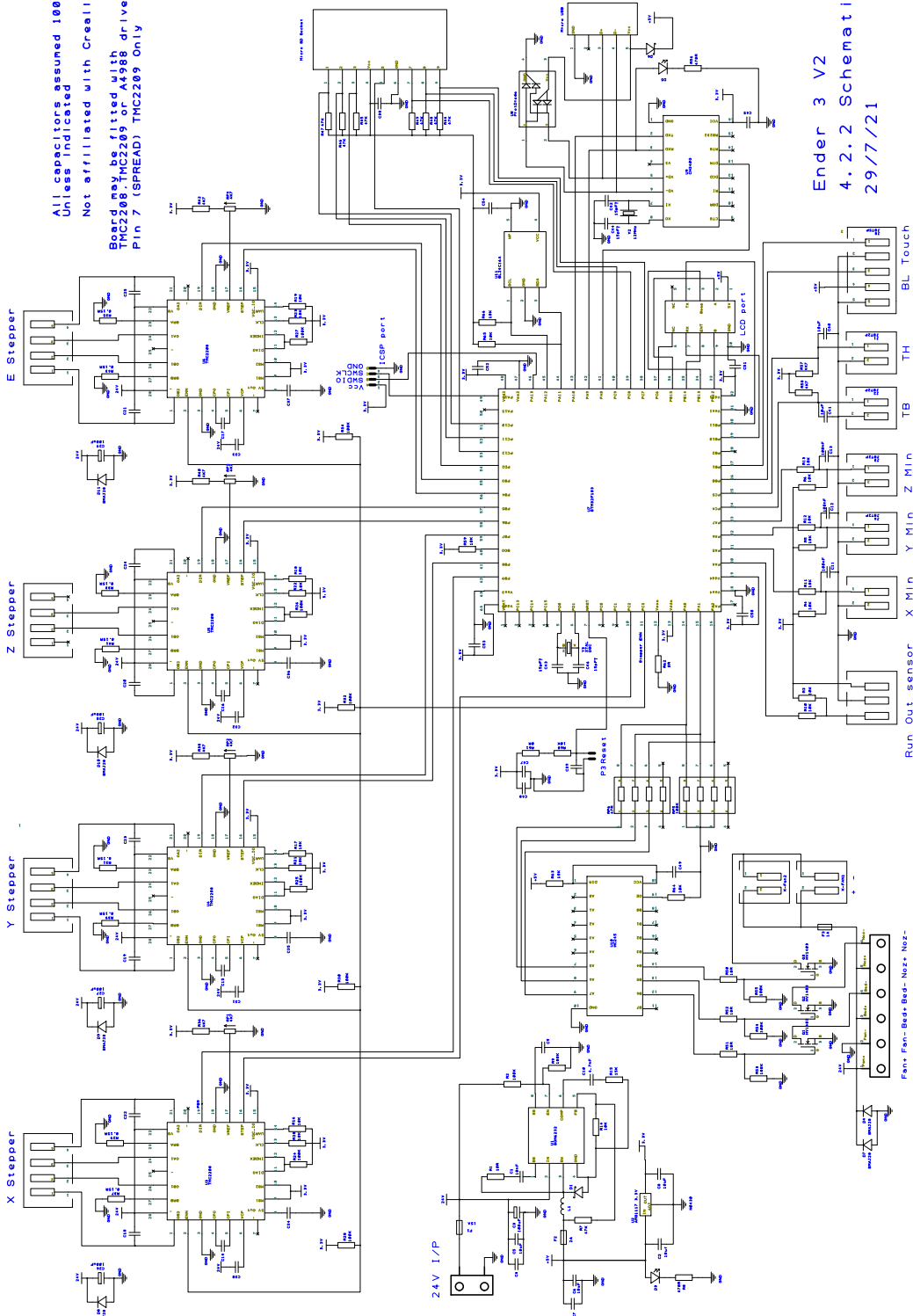


All capacitors assumed 100nF
 Unless indicated
 Not affiliated with Creativity
 Board may be fitted with
 TMC2208, TMC2209 or A4988 drivers
 Pin 7 (SPREAD) TMC2209 Only



Ender 3 V2
 4.2.2 Schematic
 29/7/21

Fan+ Bed+ Bed- Noz+ Noz-
 Run Out sensor X Min Y Min Z Min TB TH BL Touch