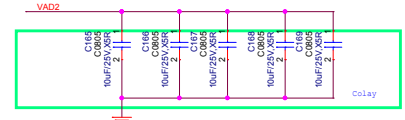
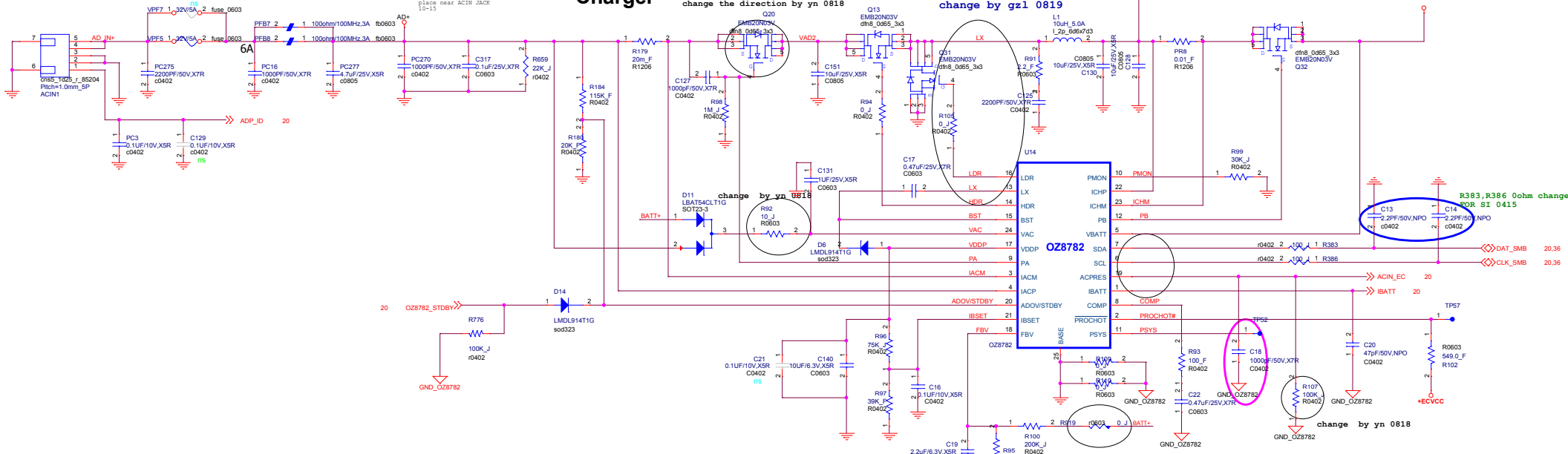


C165 C166 C167 C168 C169 change to stuff FOR EMI 0417



Add PC12 PC13 FOR EMI 0118HWL delete colay Tcap PC12 PC13 0420

Charger



change the direction by yn 0818

change by gz1 0819

change by yn 0818

R383, R386 0ohm change to 100ohm ROR SI 0415

chang the order ckj0826

Rev1.3

PCB Layout notes

