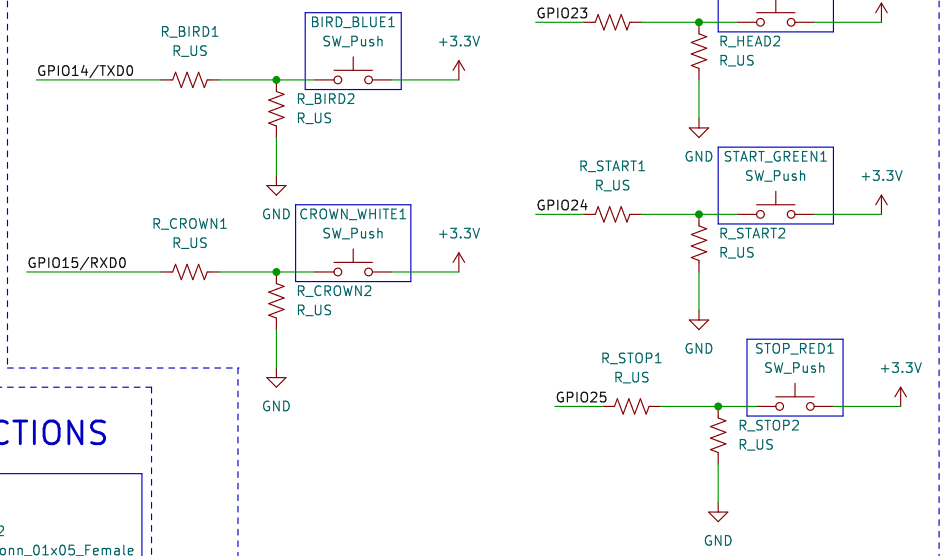


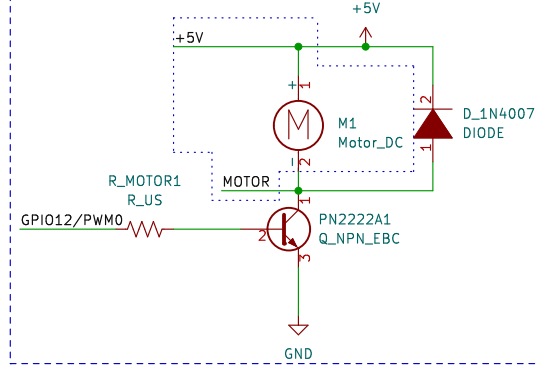
# PHYSICAL UX

## ORIGAMI SELECTION SWITCHES

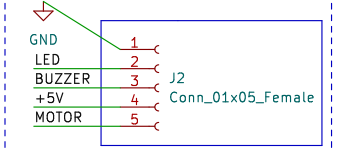


## ORIGAMI COMPONENTS

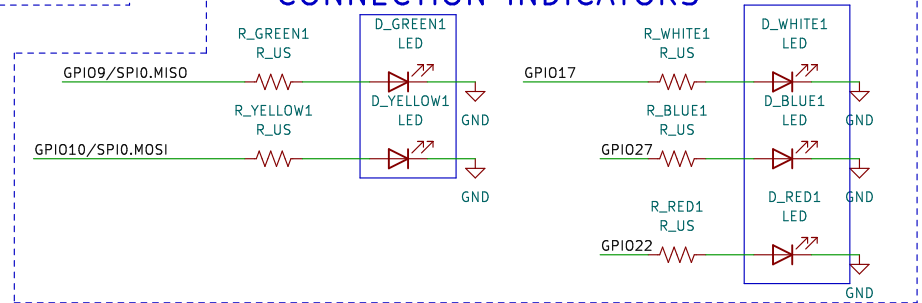
### MINI VIBRATING DISC



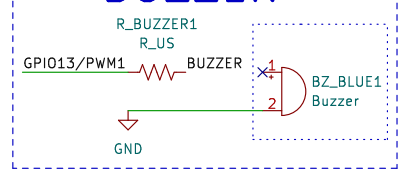
## CONNECTIONS



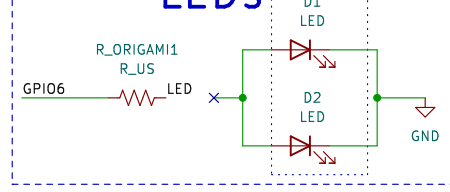
## CONNECTION INDICATORS



## BUZZER



## LEDs



Luis Pizarro  
lbp311@nyu.edu  
<https://github.com/LBP311/Origami-Electronics>

- Notes:  
1) The solid-lined boxes denote that those components are to be placed on the upper portion of the PCB and are the main Physical User Interface.  
2) The dotted-lined boxes denote that those components are not physically on the PCB and are located on the origami creation.

Sheet: /  
File: Origami.kicad\_sch

### Title: Origami-Electronics

Size: A4 | Date: 15 nov 2012  
KiCad E.D.A. eeschema (6.0.4)

Rev:  
Id: 1/1