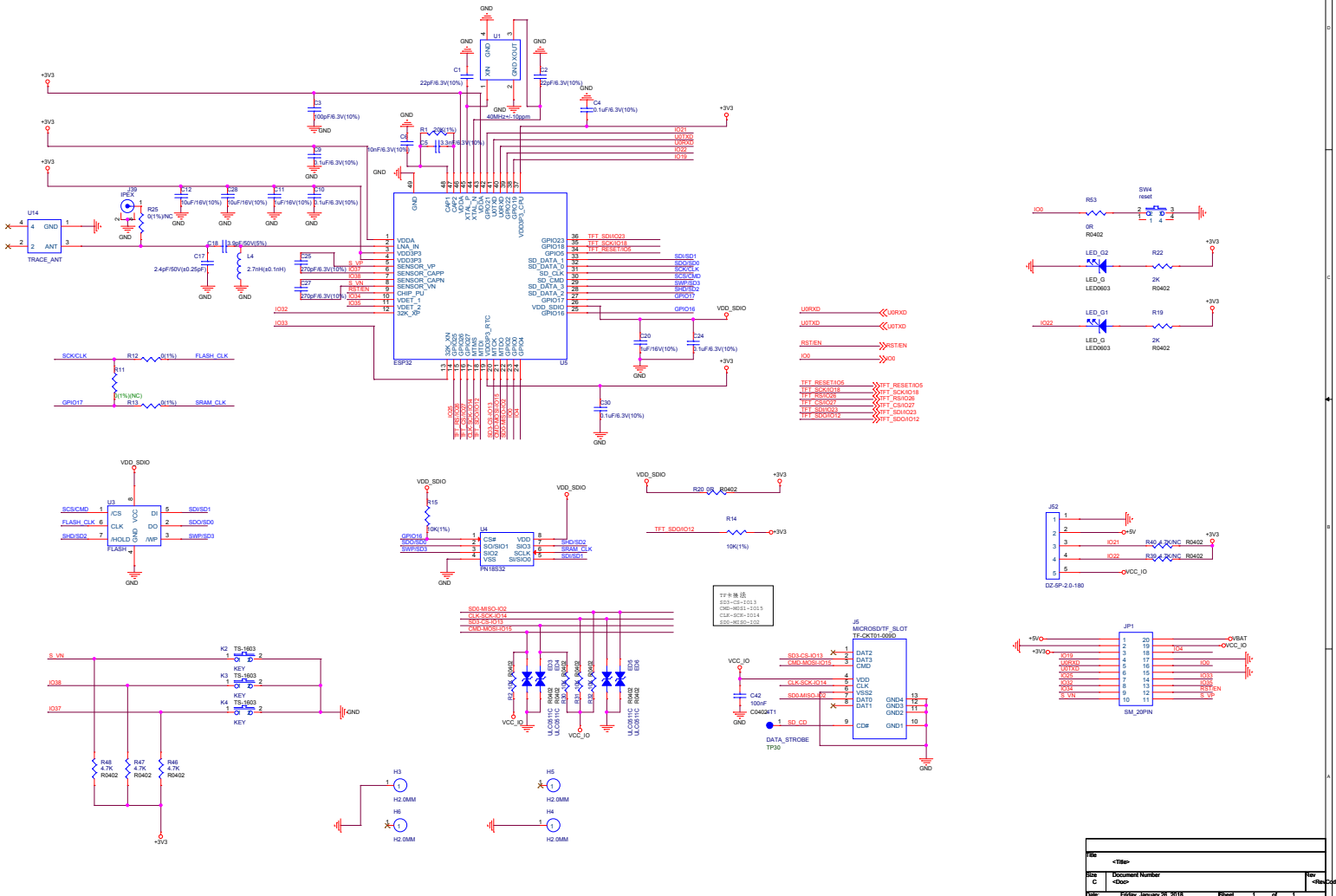
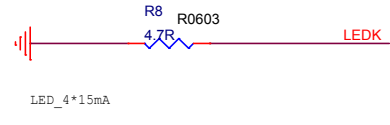
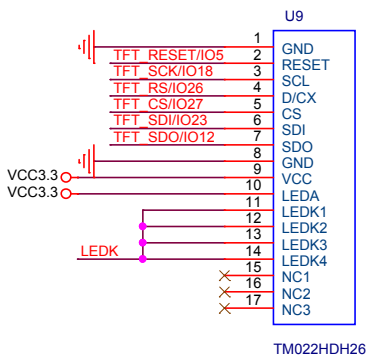


ESP32 Module: with 1.8V Flash & SRAM
 The operating voltage for signals marked in blue is 1.8V.



File	<File>
Size	Document Number
C	0000
Date	Friday, January 25, 2019
Sheet	1 of 1



Title		
<Title>		
Size	Document Number	Rev
A	<Doc>	<Rev Co
Date:	Friday, January 26, 2018	Sheet 1 of 1

