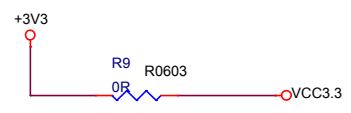
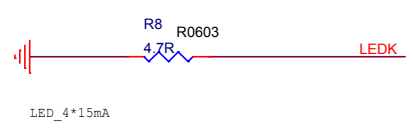
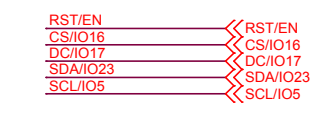
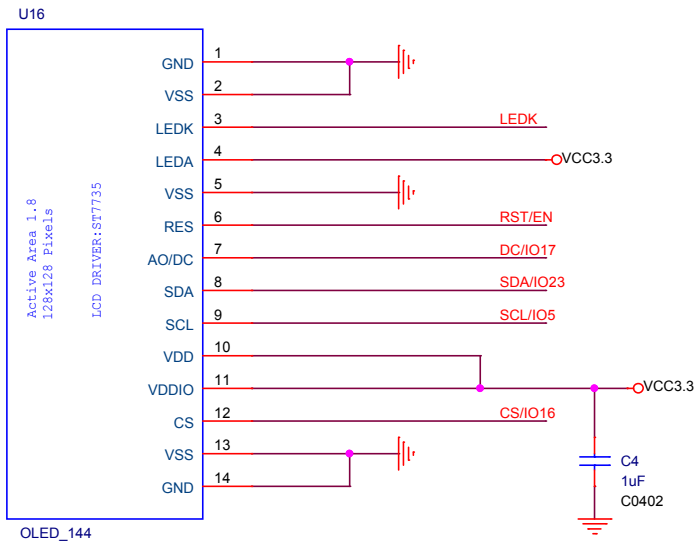
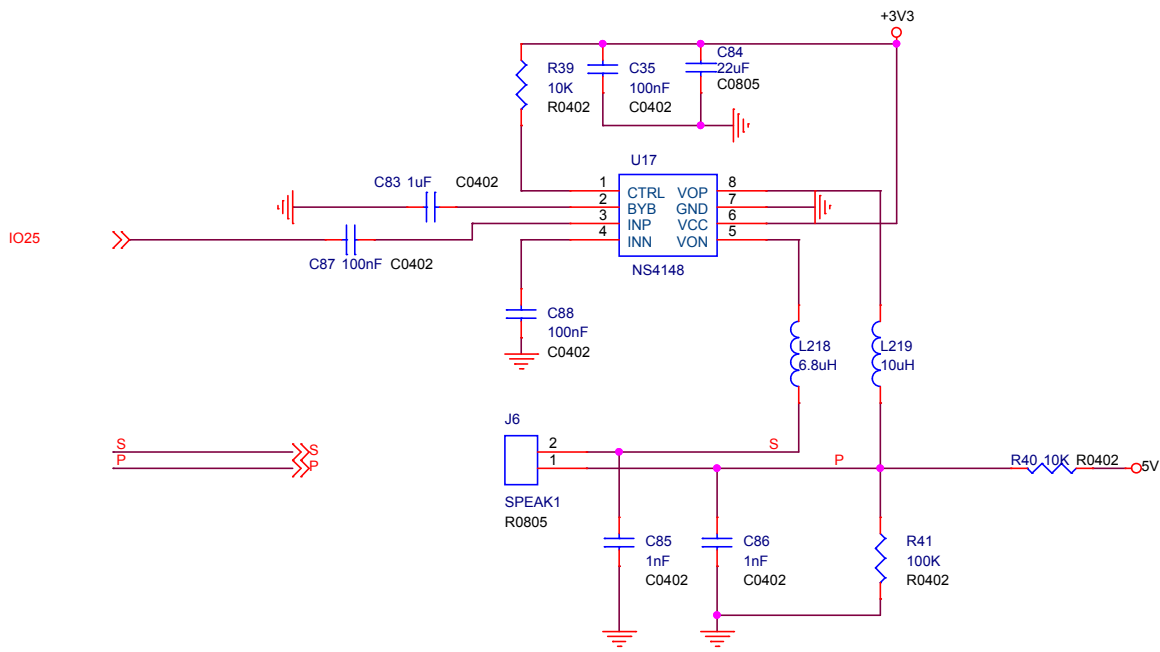


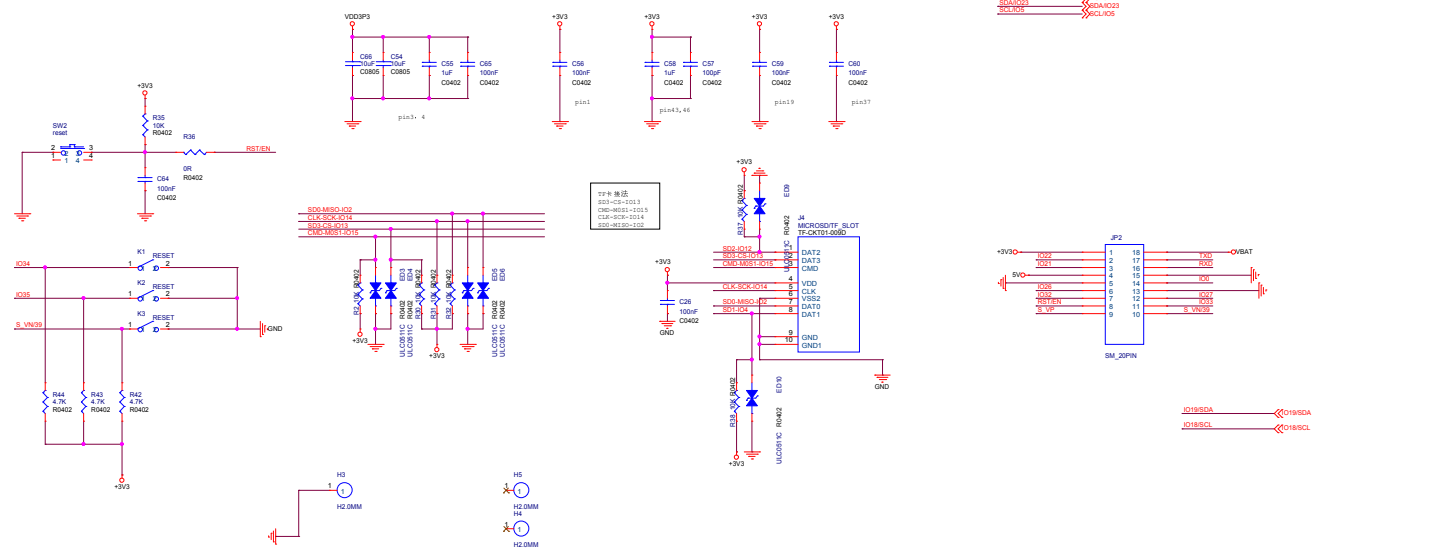
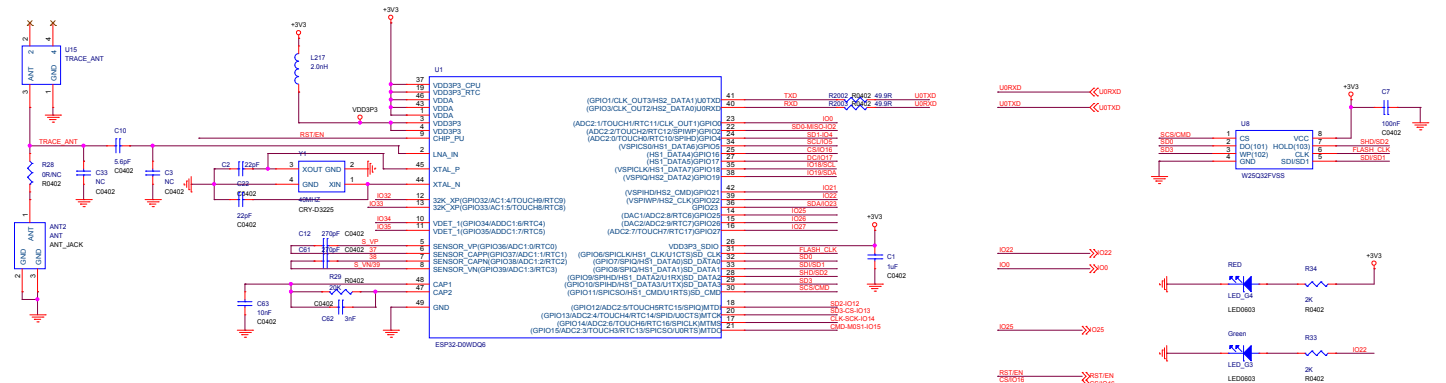
File	<File>	
Size	Document Number	Rev
C	43000	1
Date	Monday, January 10, 2016	Sheet 1 of 1



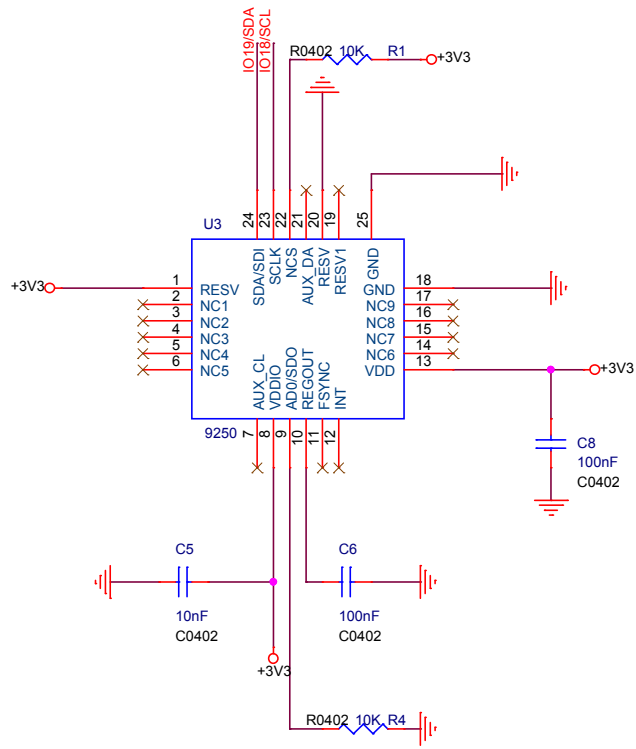
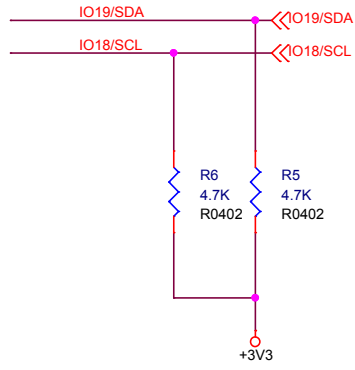
Title		
<Title>		
Size A	Document Number	Rev <Rev Co
<Doc>		
Date:	Monday, January 08, 2018	Sheet 1 of 1



Title		<Title>
Size A	Document Number	Rev <Rev Co
Date: Monday, January 08, 2018		Sheet 1 of 1



File	<File>
Size	Document Number
C	<Doc>
Date	Monday, January 08, 2018
Sheet	1 of 1



Title		<Title>
Size	Document Number	Rev
A	<Doc>	<Rev Co
Date:	Monday, January 08, 2018	Sheet 1 of 1