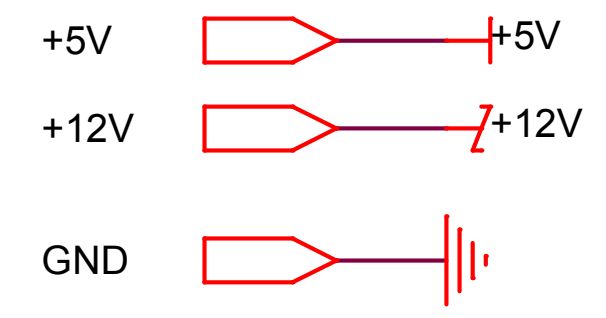
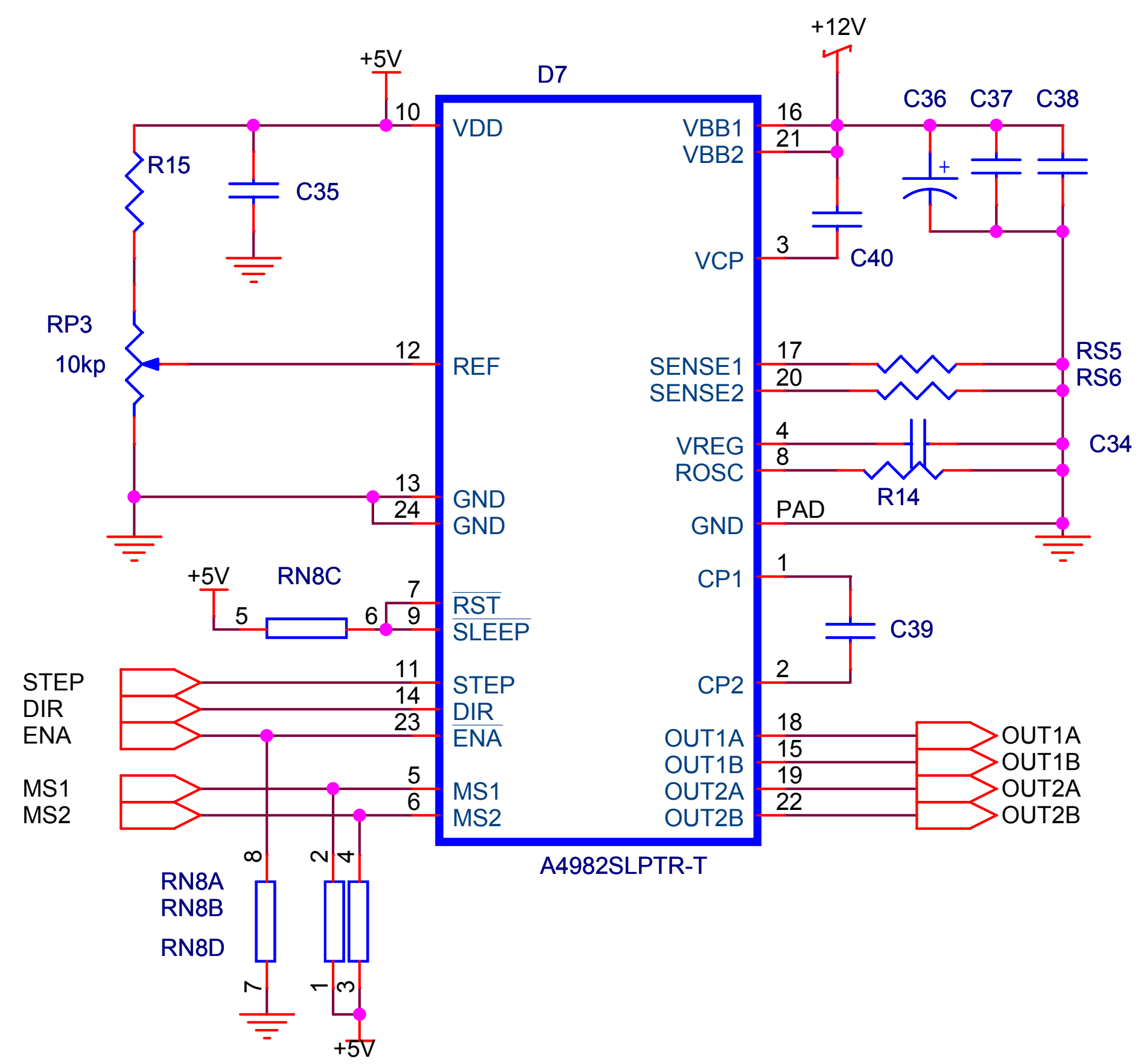
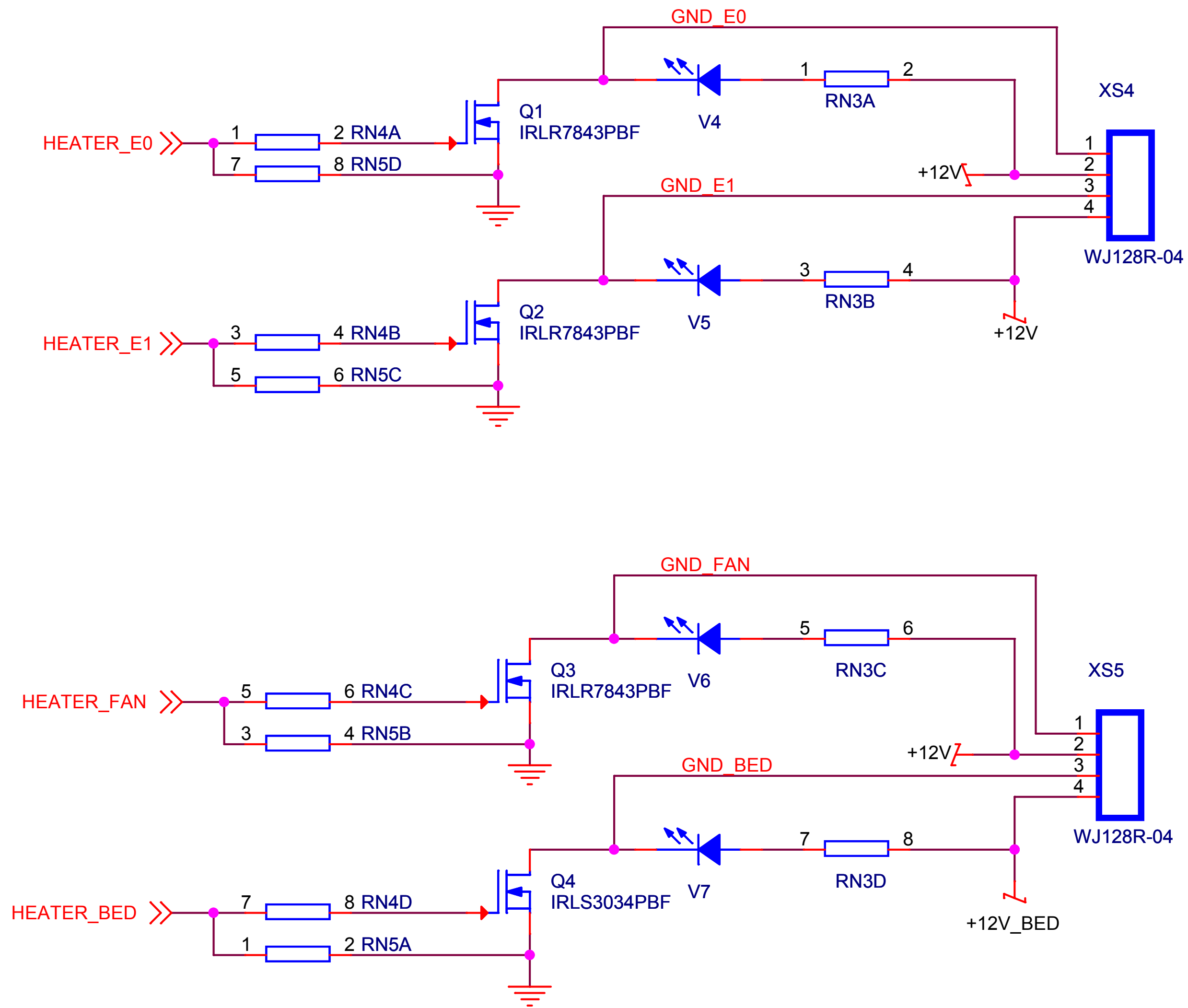


File	<Title>	Rev	<Rev Code>
Size	Document Number		
C	<Doc>		
Date	Saturday, May 24, 2014	Sheet	1 of 7



Title		
<Title>		
Size	Document Number	Rev
A	<Doc>	<RevCode>
Date:	Monday, April 28, 2014	Sheet 10 of 7

# 控制端输出高电平时MOS管导通



Title		
<Title>		
Size	Document Number	Rev
A	<Doc>	<RevCode>
Date:	Friday, May 02, 2014	Sheet 2 of 7