

Sheet: STM32F401RxT6



File: STM32F401RxT6.sch

Sheet: POWER



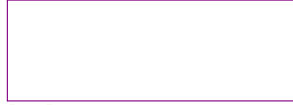
File: POWER.sch

Sheet: MOSFET



File: MOSFET.sch

Sheet: THM



File: THM.sch

Sheet: ENDSTOP



File: ENDSTOP.sch

Sheet: SD



File: SD.sch

Sheet: USB



File: USB.sch

Sheet: WIFI



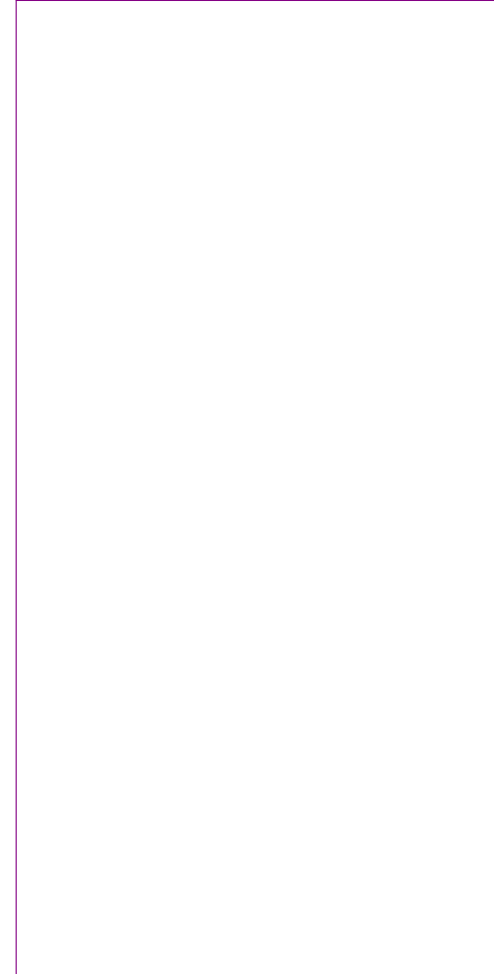
File: WIFI.sch

Sheet: P-AUX



File: P-AUX.sch

Sheet: DRIVE

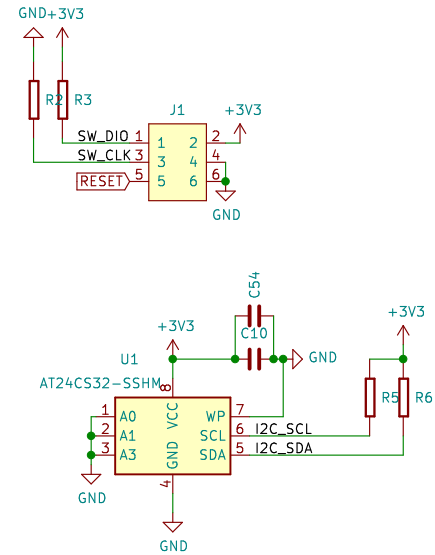
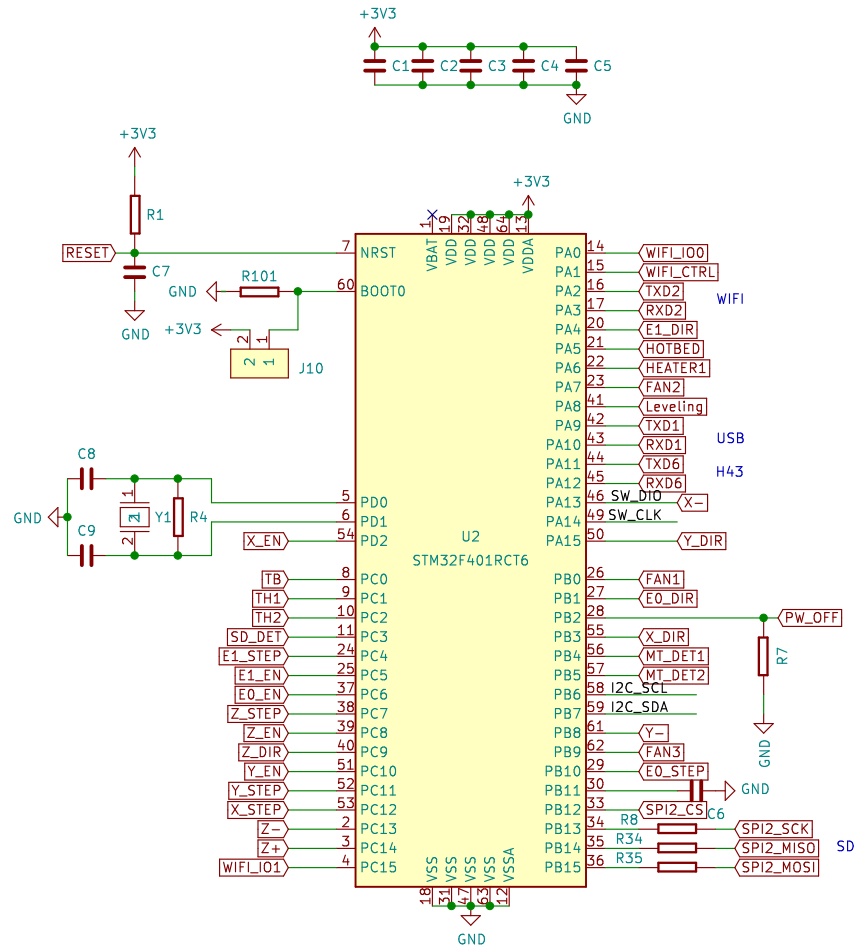


File: DRIVE.sch

FID1 FID2 FID3
Fiducial Fiducial Fiducial



Sheet: /	
File: ZNP Robin Nano.sch	
Title: ZNP Robin Nano_DW	
Size: A4	Date: 2022-09-13
KiCad E.D.A. kicad (5.1.10)-1	Rev: V2.2_001
	Id: 1/11

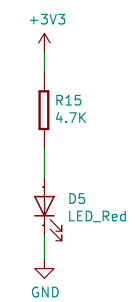
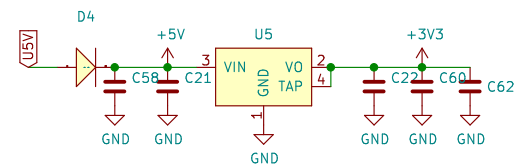
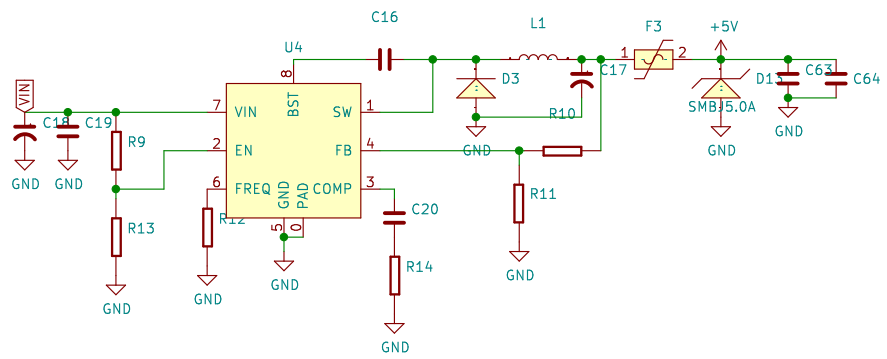
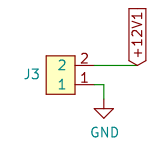
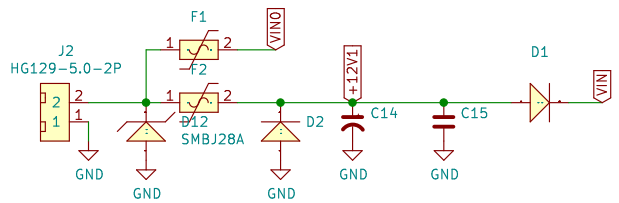


Sheet: /STM32F401RxT6/
 File: STM32F401RxT6.sch

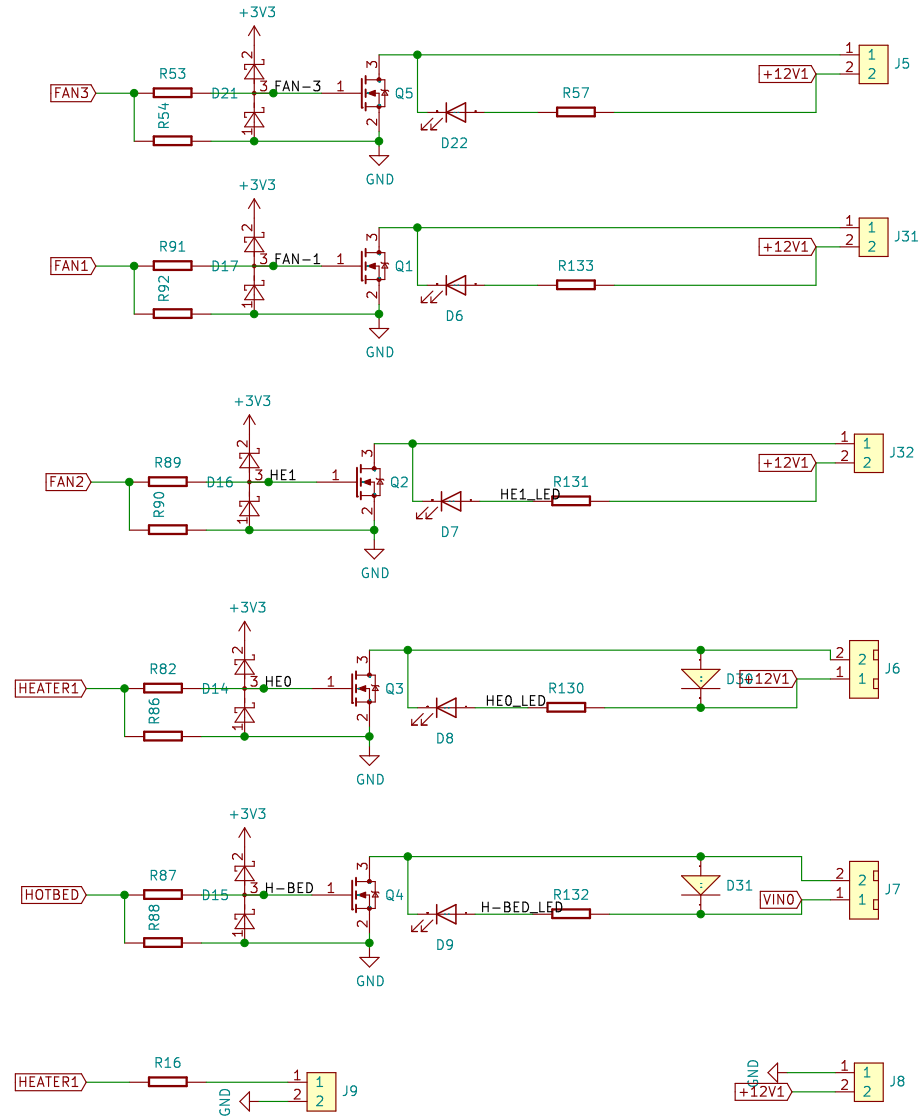
Title: ZNP Robin Nano_DW

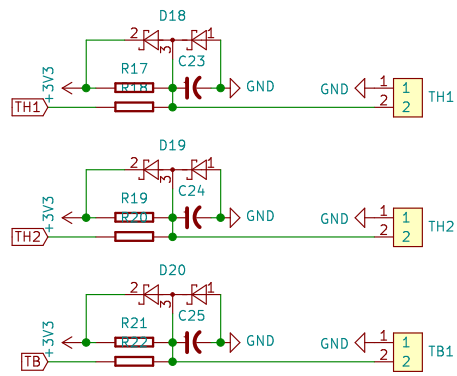
Size: A4 Date: 2022-09-13
 KiCad E.D.A. kicad (5.1.10)-1

Rev: V2.2_001
 Id: 2/11



Sheet: /POWER/	
File: POWER.sch	
Title: ZNP Robin Nano_DW	
Size: A4	Date: 2022-09-13
KiCad E.D.A. kicad (5.1.10)-1	Rev: V2.2_001
	Id: 3/11



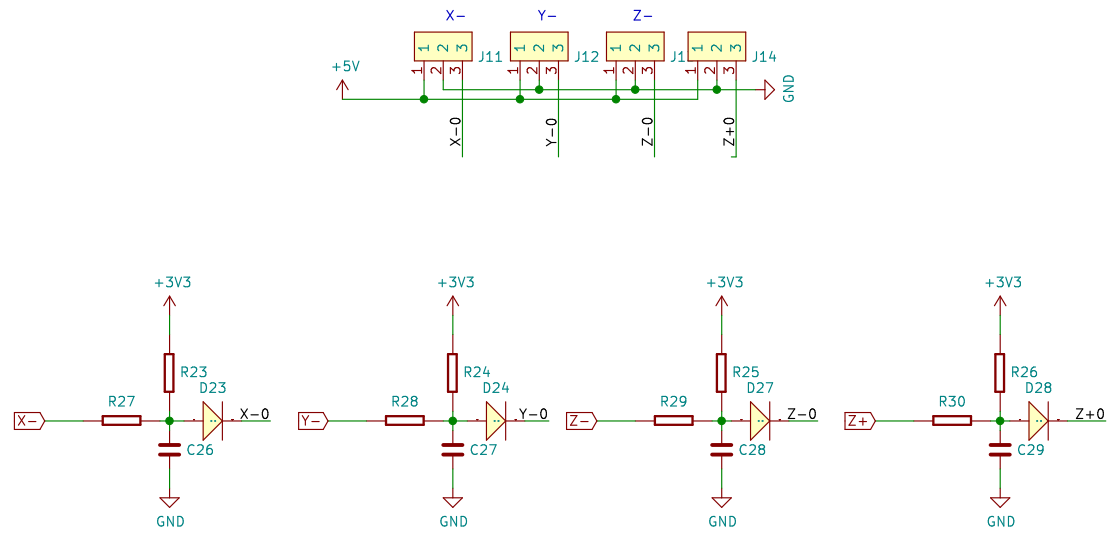


Sheet: /THM/
File: THM.sch

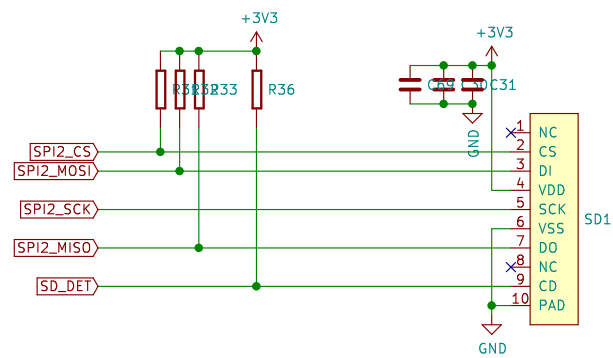
Title: ZNP Robin Nano_DW

Size: A4 Date: 2022-09-13
KiCad E.D.A. kicad (5.1.10)-1

Rev: V2.2_001
Id: 5/11



Sheet: /ENDSTOP/	
File: ENDSTOP.sch	
Title: ZNP Robin Nano_DW	
Size: A4	Date: 2022-09-13
KiCad E.D.A. kicad (5.1.10)-1	Rev: V2.2_001
	Id: 6/11

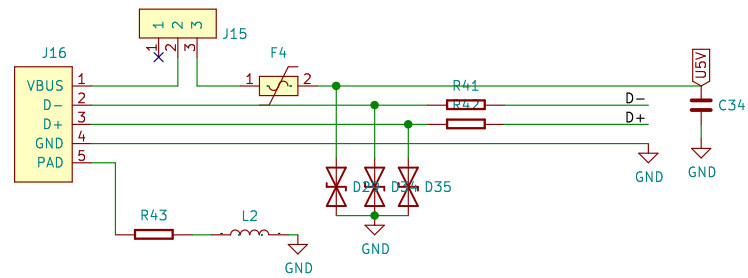
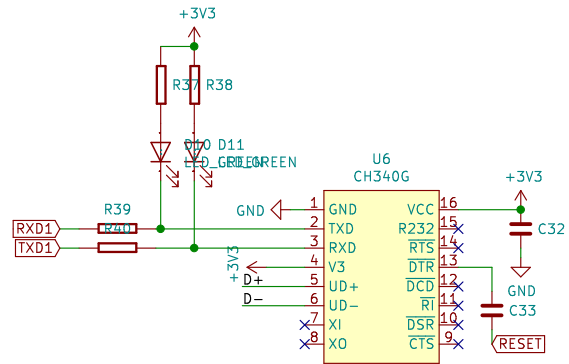


Sheet: /SD/
 File: SD.sch

Title: ZNP Robin Nano_DW

Size: A4 Date: 2022-09-13
 KiCad E.D.A. kicad (5.1.10)-1

Rev: V2.2_001
 Id: 7/11

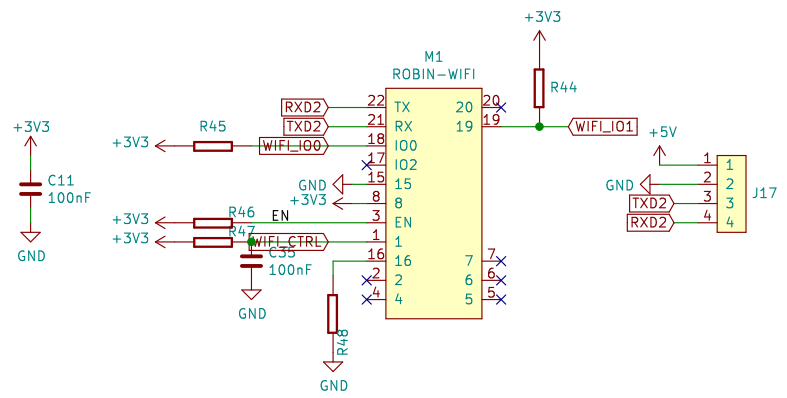


Sheet: /USB/
File: USB.sch

Title: ZNP Robin Nano_DW

Size: A4 Date: 2022-09-13
KiCad E.D.A. kicad (5.1.10)-1

Rev: V2.2_001
Id: 8/11

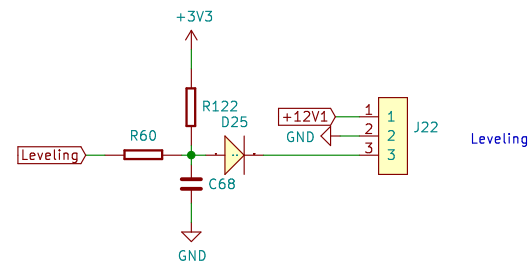
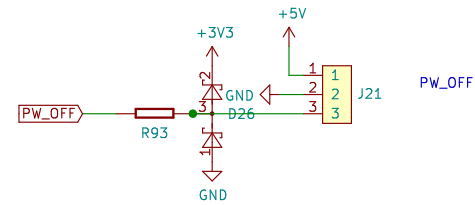
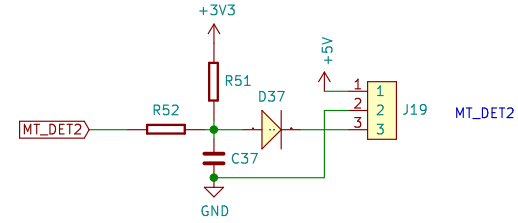
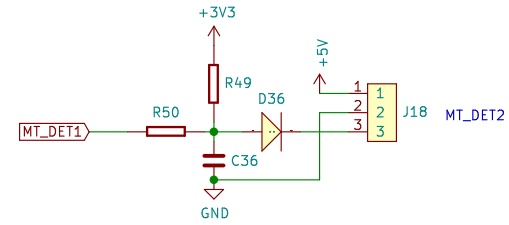
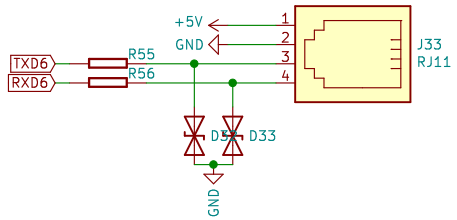


Sheet: /WIFI/
 File: WIFI.sch

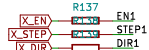
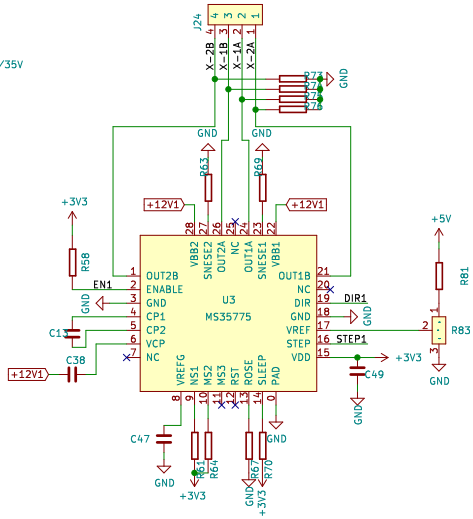
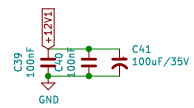
Title: ZNP Robin Nano_DW

Size: A4 Date: 2022-09-13
 KiCad E.D.A. kicad (5.1.10)-1

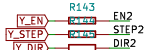
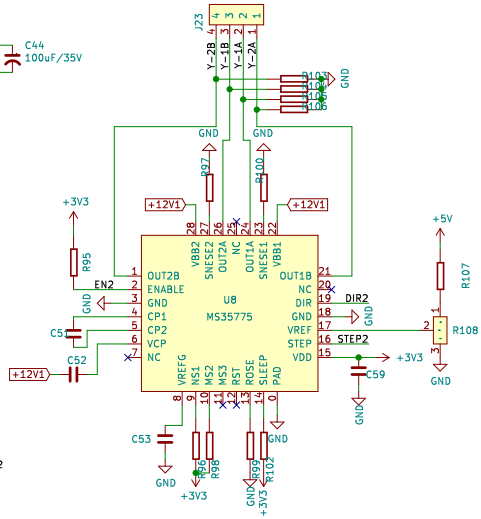
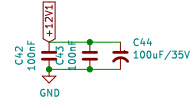
Rev: V2.2_001
 Id: 9/11



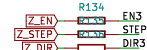
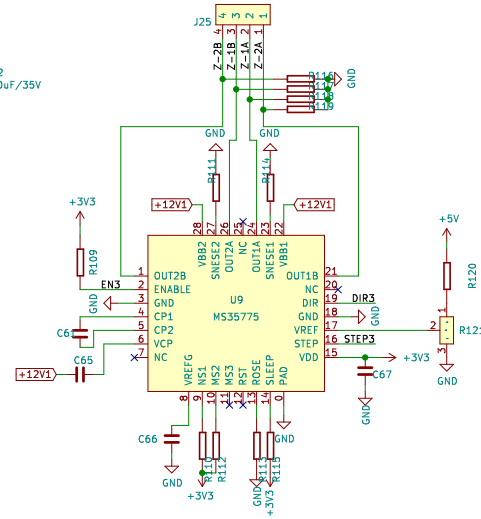
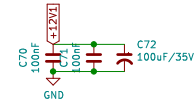
Sheet: /P-AUX/	
File: P-AUX.sch	
Title: ZNP Robin Nano_DW	
Size: A4	Date: 2022-09-13
KiCad E.D.A. kicad (5.1.10)-1	Rev: V2.2_001
	Id: 10/11



MOTOR X



MOTOR Y



MOTOR Z

