



## 1. Introduction

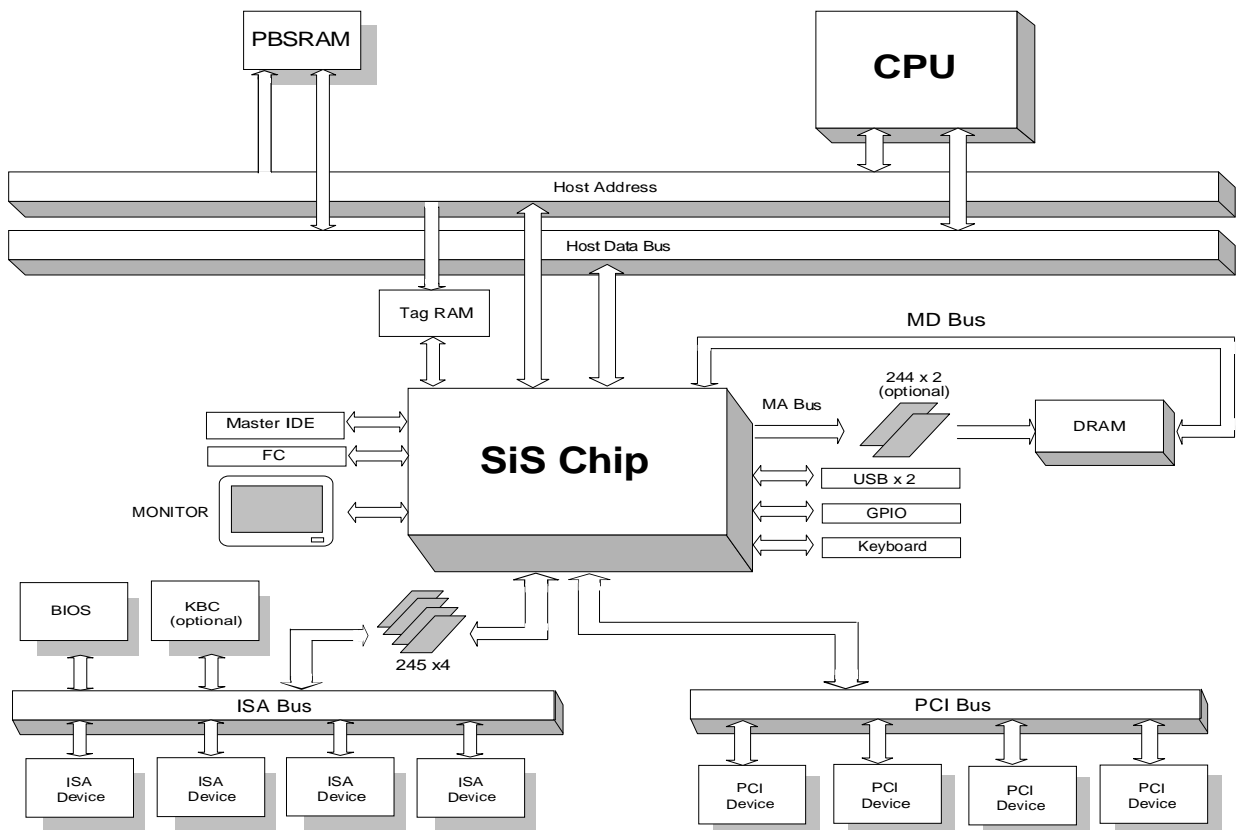
Nowadays, several PC form factors exist in the PC board market, such as NLX, LPX, ATX and Baby-AT form factors. Due to the different placements of the form factor, PC chipsets should be prepared for different board layouts. As a result, SiS chips based on compatible logic design provide two series of chipsets, SiS 5597 and SiS 5598, to assist board designers for their board layouts.

SiS 5597's pin assignment is based on NLX, and LPX form factor, while SiS 5598's is defined on the basis of ATX and Baby-AT form factors. In the next few chapters, you will read "SiS Chip" which indicates either SiS 5597 or 5598 chipsets, decided by the placements of form factors on PC boards of customers.

The SiS Chip with built-in VGA controller is a highly integrated single chip solution for Pentium PCI/ISA system. A portion of on-board DRAM is shared with the integrated VGA controller. In that way, the system cost is substantially reduced and on-board DRAM can be used flexibly.

The SiS Chip consists of Host-to-PCI bridge function, PCI to ISA bridge function, PCI IDE function, Universal Serial Bus host/hub function, Integrated RTC, Integrated Keyboard Controller and Graphics/Video accelerate function.

SiS Chip supports Enhanced Power Management, including legacy Power Management Unit and Advanced Configuration and Power Interface (ACPI). It also supports ATA Synchronous DMA transfer protocol to improve the IDE performance and Common Architecture for moving ISA function to PCI to improve system performance. The system block diagram is shown below :





## 2. Features

- **Support Intel Pentium CPU and other compatible CPU host bus at 50/55/60/66/75 MHz**
- **Support CPU with MMX feature**
- **Support the Pipelined Address Mode of Pentium CPU**
- **Support the Full 64-bit Pentium Processor data Bus**
- **Meet PC97 Requirements**
- **Integrated Second Level ( L2 ) Cache Controller**
  - Write Back Cache Modes
  - 8 bits or 7 bits Tag with Direct Mapped Cache Organization
  - Integrated 16K bits Dirty RAM
  - Support Pipelined Burst SRAM
  - Support 256 KBytes and 512 KBytes Cache Sizes
  - Cache Hit Read/Write Cycle of 3-1-1-1
  - Cache Back-to-Back Read/Write Cycle of 3-1-1-1-1-1-1-1
- **Integrated DRAM Controller**
  - Support 6 RAS lines (3 Banks) of FPM/EDO/SDRAM DIMMs/SIMMs
  - Support 2Mbytes to 384Mbytes of main memory
  - Support Cacheable DRAM Sizes up to 128 MBytes.
  - Support 256K/512K/1M/2M/4M/8M/16M/32M x N FPM/EDO/SDRAM DRAM
  - Support 64 Mb DRAM Technology
  - Support 3.3V or 5V DRAM.
  - Supports Symmetrical and Asymmetrical DRAM.
  - Support 32 bits/64 bits mixed mode configuration
  - Support Concurrent Write Back
  - Support CAS before RAS Refresh
  - Support Relocation of System Management Memory
  - Programmable CAS#, RAS#, RAMWE# and MA Driving Current.
  - Fully Configurable for the Characteristic of Shadow RAM ( 640 KBytes to 1 MBytes)
  - Support FPM DRAM 5-3-3-3(-3-3-3-3) Burst Read Cycles
  - Support EDO DRAM 5-2-2-2(-2-2-2-2) Burst Read Cycles
  - Support SDRAM 6-1-1-1(-2-1-1-1) Burst Read Cycles
  - Support X-1-1-1/X-2-2-2/X-3-3-3 Burst Write Cycles
  - Support 8 Qword Deep Buffer for Read/Write Reordering, Dword Merging and 3/2-1-1-1 Post write Cycles
  - Two Programmable Non-Cacheable Regions
  - Option to Disable Local Memory in Non-Cacheable Regions
  - Shadow RAM in Increments of 16 KBytes



- **Integrated PMU Controller**
  - Meet ACPI Requirements
  - Support Both ACPI and Legacy PMU
  - Support Suspend to Disk
  - Support SMM Mode of CPU
  - Support CPU Stop Clock
  - Support Power Button for ACPI function
  - Support Automatic Power Control for system power off function
  - Support Modem Ring-in, RTC Alarm Wake up
  - Support Thermal Detection
  - Support GPIOs, and GPOs for External Devices Control
  - Support Programmable Chip Select
- **Provides High Performance PCI Arbiter.**
  - Support up to 4 PCI Masters
  - Support Rotating Priority Mechanism
  - Hidden Arbitration Scheme Minimizes Arbitration Overhead.
  - Support Concurrency between CPU to Memory and PCI to PCI.
- **Integrated Host-to-PCI Bridge**
  - Support Asynchronous and Synchronous PCI Clock
  - Translates the CPU Cycles into the PCI Bus Cycles
  - Provides CPU-to-PCI Read Assembly and Write Disassembly Mechanism
  - Translates Sequential CPU-to-PCI Memory Write Cycles into PCI Burst Cycles
  - Zero Wait State Burst Cycles
  - Support IDE Posted Write
  - Support Pipelined Process in CPU-to-PCI Access
  - Support Advance Snooping for PCI Master Bursting
  - Maximum PCI Burst Transfer from 256 Bytes to 4 KBytes
- **Integrated Posted Write Buffers and Read Prefetch Buffers to Increase System Performance**
  - CPU-to-Memory Posted Write Buffer (CTMFF) with 8 QW Deep, Always Sustains 0 Wait Performance on CPU-to-Memory.
  - CPU-to-Memory Read Buffer with 4 QW Deep
  - CPU-to-PCI Posted Write Buffer(CTPFF) with 8 DW Deep
  - PCI-to-Memory Posted Write Buffer(PTHFF) with 8 QW Deep, Always Streams 0 Wait Performance on PCI-to/from-Memory Access
  - PCI-to-Memory Read Prefetch Buffer(CTPFF) with 8 QW Deep
- **Integrated Video/Graphics Accelerator**
  - Support 32-bit PCI local bus standard revision 2.1
  - Built-in an enhanced 64-bit BITBLT graphics engine



- Support tightly coupled host interface to VGA to speed up GUI performance and the video playback frame rate
- Support direct access to video memory to speed up GUI performance and the video playback frame rate
- Shared System Memory Area 0.5MB, 1MB, 1.5MB, 2MB, 2.5MB, 3MB, 3.5MB, 4MB
- Built-in programmable 24-bit true-color RAMDAC with reference-voltage generator
- Built-in dual-clock generator
- Built-in monitor-sense circuit
- Built-in Phillips SAA7110/SAA7111, Brooktree Bt815/817/819A(8-bit SPI mode 1,2) video decoder interface
- Built-in Standard feature connector logic support
- **Integrated PCI-to-ISA Bridge**
  - Translates PCI Bus Cycles into ISA Bus Cycles
  - Translates ISA Master or DMA Cycles into PCI Bus Cycles
  - Provides a Dword Post Buffer for PCI to ISA Memory cycles
  - Two 32 bit Prefetch/Post Buffers Enhance the DMA and ISA Master Performance
  - Fully Compliant to PCI 2.1
- **Enhanced DMA Functions**
  - 8-, 16-bit DMA Data Transfer
  - ISA compatible, and Fast Type F DMA Cycles
  - Two 8237A Compatible DMA Controllers with Seven Independent Programmable Channels
  - Provides the Readability of the two 8237 Associated Registers
  - Support Distributed DMA
- **Built-in Two 8259A Interrupt Controllers**
  - 14 Independently Programmable Channels for Level- or Edge-triggered Interrupts
  - Provides the Readability of the two 8259A Associated Registers
  - Support Serial IRQ
- **Three Programmable 16-bit Counters compatible with 8254**
  - System Timer Interrupt
  - Generates Refresh Request
  - Speaker Tone Output
  - Provides the Readability of the 8254 Associated Registers
- **Built-in Keyboard Controller**
  - Hardwired Logic Provides Instant Response
  - Support PS/2 Mouse interface
  - Support Hot Key "Wake-up" Function
  - Capable of Enable/Disable Internal KBC and PS2 Mouse
- **Built-in Real Time Clock(RTC) with 256B CMOS SRAM**
  - Built-in up to one Month Alarm for ACPI



- **Fast PCI IDE Master/Slave Controller**
  - Bus Master Programming Interface for ATA Windows 95 Compliant Controller
  - Support PCI Bus Mastering
  - Plug and Play Compatible
  - Support Scatter and Gather
  - Support Dual Mode Operation - Native Mode and Compatibility Mode
  - Support IDE PIO Timing Mode 0, 1, 2 ,3 and 4
  - Support Multiword DMA Mode 0, 1, 2
  - Support Ultra DMA/33
  - Two Separate IDE Bus
  - Two 16 Dword FIFO for PCI Burst Transfers.
- **Universal Serial Bus Host Controller**
  - OpenHCI Host Controller with Root Hub
  - Two USB ports
  - Support Legacy Devices
  - Support Over Current Detection
- **Support I<sup>2</sup>C serial Bus**
- **Support the Reroutibility of the four PCI Interrupts**
- **Support 2Mb Flash ROM Interface**
- **Support Signature Analysis for automatic test for VGA controller**
- **Support NAND Tree for ball connectivity testing**
- **553-Balls BGA Package**
- **0.35µm 3.3V Technology**

## 2.1 Detail Features for Integrated Video/Graphics Accelerator

### Host Bus Interface

- **Support tightly coupled host interface to VGA to speed up GUI performance and the video playback frame rate**
- **Support direct access to video memory to speed up GUI performance and the video playback frame rate**
- **Shared System Memory Area 0.5MB, 1MB, 1.5MB, 2MB, 2.5MB, 3MB, 3.5MB, 4MB**
- **Built-in 8QW CPU post write buffer with byte merging capability**

### PCI Bus Interface

- **Support 32-bit PCI local bus standard revision 2.1**
- **Support PCI burst write**
- **Support PCI multimedia design guide Rev. 1.0**



### Performance

- Support Turbo Queue (Software Command Queue in off-screen memory) architecture to achieve extra-high performance.
- Built-in transparent BitBLT functions to accelerate Direct Draw performance
- Built-in an enhanced 64-bit BITBLT graphics engine with the following functions:
  - 256 raster operation functions
  - Rectangle fill
  - Color/Font expansion
  - Line-drawing with styled pattern
  - Built-in 8x8 pattern registers for 256 and high-color modes
  - Built-in 8x8 mask registers
  - 32 doublewords hardware Command Queue
- Built-in 64x64x2 bit-mapped hardware cursor
- Built-in 6 stages PCI post write-buffer and 128 bits read-ahead cache to minimize wait-states in video memory access
- Built-in 4 stages GUI engine write-buffer and 9 stage read-buffer to minimize engine wait-state
- Built-in 64x64 CRT FIFOs with multiple scan lines prefetch capability to improve integration VGA performance
- Support Memory-mapped I/O
- Support linear addressing mode up to 4MByte to speed up graphics performance

### Integration

- Built-in programmable 24-bit true-color RAMDAC with reference-voltage generator
- Built-in dual-clock generator
- Built-in monitor-sense circuit
- Built-in graphics accelerator and controller
- Built-in video accelerator
- Built-in Phillips SAA7110/SAA7111, Brooktree Bt815/817/819A(8 -bit SPI mode 1,2) video decoder interface
- Built-in Standard feature connector logic support
- Built-in downloadable RAMDAC for graphics and video gamma correction in direct color modes

### Display Memory Interface

- Support FPM/EDO/Synchronous DRAM
- Support 32/64-bit display memory path

### Resolution, Color & Frame Rate

- Support 170MHz pixel clock
- Support super high resolution graphic modes



- 640x480 256/32K/64K/16M colors NI
- 800x600 16/256/32K/64K/16M colors NI
- 1024x768 16/256/32K/64K/16M colors NI
- 1280x1024 16/256 colors NI, 32K/64K colors interlace only

- Support virtual screen up to 2048x2048
- Support 80/132 columns text mode in 25, 30, 44 or 60 rows and other modes

#### Video Functions

- Support full motion video playback up to 1024x768 256 colors in 1 MB DRAM configuration
- Support single frame buffer architecture to save the DRAM cost
- Support graphics/video overlay function by color-key and /or chroma-key operations
- Support multi-format Video For Windows such as YUV420, YUV422, RGB565, and RGB555
- Support YUV-to-RGB color space conversion
- Support video scaling in integer increments of 1/64
- Support horizontal 2-tap, 8-phase DDA interpolation
- Support vertical 2-tap, 8-phase DDA interpolation for better quality of video windows expansion
- Built-in 64x16 video capture FIFOs to support video capture
- Built-in four 64x48 line buffers to support vertical interpolation in YUV packed and planar modes
- Built-in contrast enhancement and brightness adjustment logic to improve video playback quality
- Support Microsoft Video For Windows
- Support color key and chroma key overlay
- Support 4-bit blending
- Support DCI Drivers
- Support Direct Draw Drivers
- Support Direct MPEG Drivers

#### Power Management

- Support VESA Display Power Management Signaling (DPMS) compliant VGA monitor for power management
- Built-in 30 min. standby and suspend timers with keyboard, hardware cursor, and/or video memory read/write as activating source
- Support direct I/O command to force graphics controller into standby/suspend/off state.
- Power down internal SRAM in direct color mode
- Power down SRAM and video DAC in standby and suspend mode
- Meet ACPI requirements



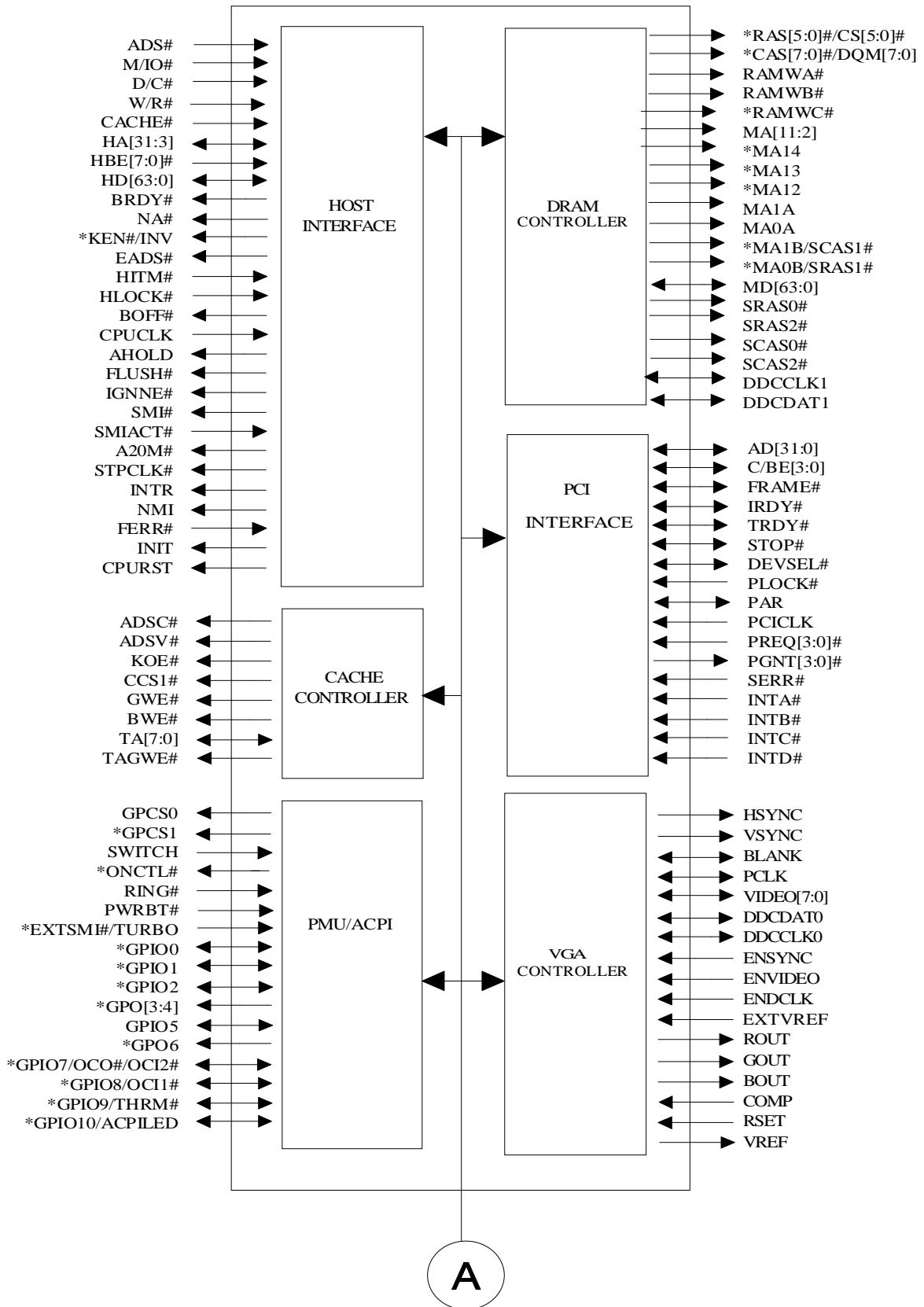
**Multimedia Application**

- Support DDC1 and DDC2B specifications
- Follows the plug & play specification for display controller
- Support RAMDAC snoop for multimedia applications
- Support anti-tearing with single register fast page-flipping and scan line read back





## 2.2 Functional Block Diagram



To be continued on next page.

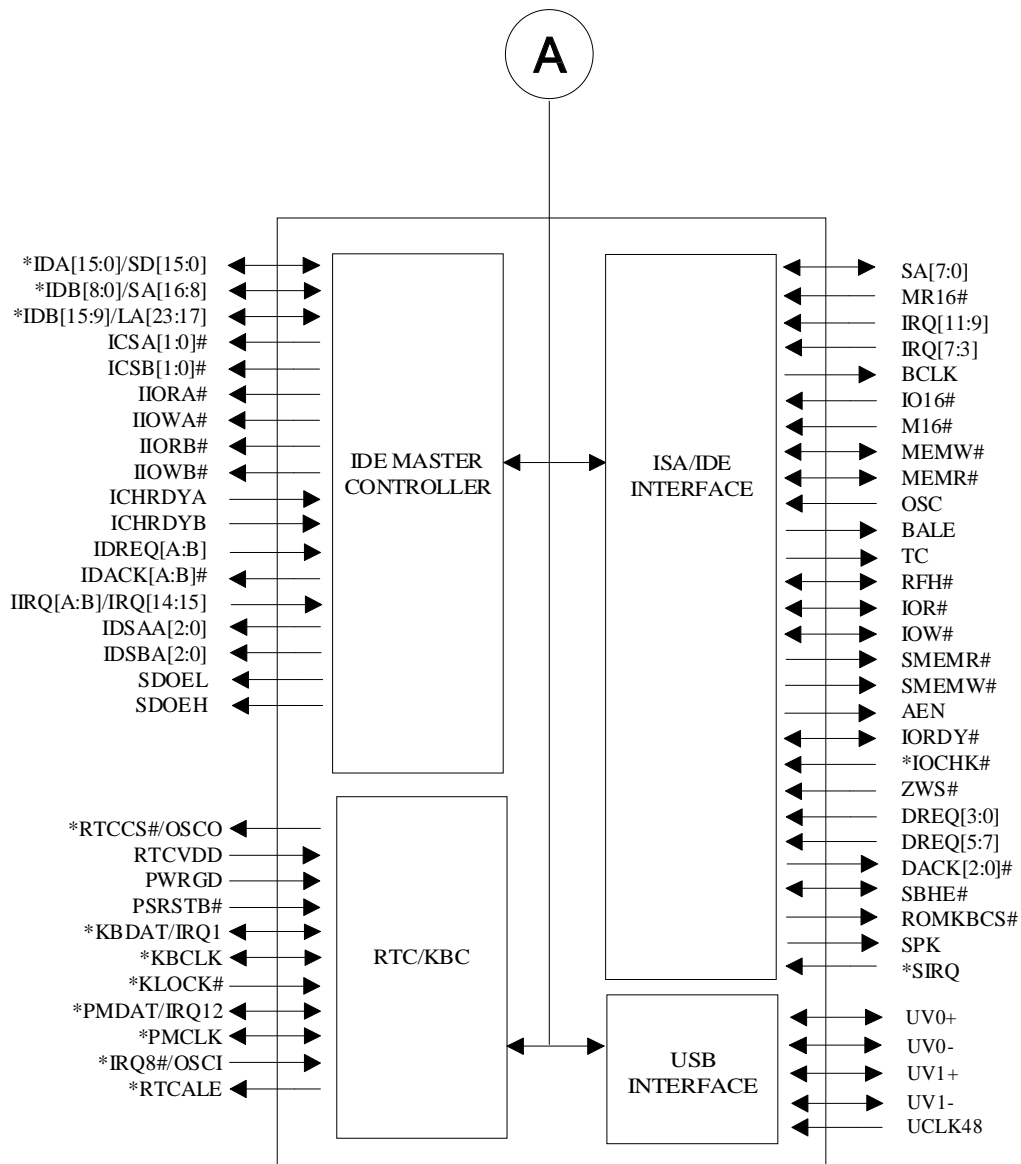


Figure 2-1

**\*Multi-function pins**

KEN#/INV	OSCI/IRQ8#	GPIO7/OCO#/OC12#
RAS[5:0]#/CS[5:0]#	OSCO/RTCCS#	GPIO8/OC11#
CAS[7:0]#/DQM[7:0]	ONCTL#/RTCALE	GPIO9/THRM#/IOCHK#
MA12/GPO3	KBDAT/IRQ1	GPIO10/ACPILED
MA13/GPO4	KBCLK/GPIO2	EXTSMI#/TURBO
MA14/GPO6	KLOCK#/GPIO0/RAMWC#	GPCS1/SIRQ
MA1B/SCAS1#	PMCLK/GPIO1	IDA[15:0]/SD[15:0]
MA0B/SRAS1#	PMDAT/IRQ12	IDB[8:0]/SA[16:8]
	IIRQ[A:B]/IRQ[14:15]	IDB[15:9]/LA[23:17]



### 3. Functional Description

#### 3.1 Host Interface

The SiS Chip is designed to support Pentium CPU host interface at 75/66.667/60/55/50MHz. The host data bus and the DRAM bus are 64-bit wide.

The SiS Chip supports the pipelined addressing mode of the Pentium CPU by issuing the next address signal, NA#. NA# signal is asserted except single read DRAM cycle.

The SiS Chip supports the CPU L1 write back (WB) or write through (WT) cache policies and the SiS Chip L2 WB cache policies. The L1 cache is snooped by the assertion of EADS# when the CPU is put in the HOLD state.

The SiS Chip issues AHOLD to the Pentium CPU in response to the assertion of PCI master requests. Once the AHOLD is asserted, SiS Chip does not immediately assert PGNT[3:0]# until both the CPU to PCI posted write buffer and the memory write buffer are empty. During inquire cycles, the AHOLD may be negated temporarily to allow the CPU to write back the inquired hit modified line to L2 or DRAM.

#### 3.2 Cache Controller

The built-in L2 Cache Controller uses a direct-mapped scheme, which can be configured as in the write back mode. SiS chip also supports the write through mode, but this function only for the cache sizing. Pipelined burst SRAMs are supported.

SiS Chip supports SRAM types auto-detection and auto-sizing. Table 3-1 shows the cache sizes that are supported by the SiS Chip when using synchronous SRAM, with the corresponding TAG RAM sizes, data RAM sizes, and cacheable memory sizes.

**Table 3-1 Cache Size with 8-bit tag**

Cache Size	Data RAM	Tag RAM	Cacheable Size
256K	32Kx32x2	8Kx8	64MB
512K	32Kx32x4	16Kx8	128MB
512K	64Kx32x2	16Kx8	128MB

The SiS Chip also provides an alternative to save the dirty SRAM chip. This is accomplished by integrated 16Kb Dirty RAM.



### 3.3 DRAM Controller

#### 3.3.1 DRAM Type

The SiS Chip can support up to 384MBytes of DRAMs size and each bank could be single or double sided 64 bits FPM (Fast Page mode) DRAM, EDO (Extended Data Output) DRAM, and SDRAM (Synchronous DRAM) DRAM. Half populated bank(32-bit) is also supported. The installed EDO/FPM DRAM type can be 256K, 512k, 1M, 2M, 4M, 8M or 16M bit deep by n bit wide DRAMs, and both symmetrical and asymmetrical type DRAM are supported. It also supports SDRAM 1M, 2M, 4M, 8M, 16M or 32M bit deep by n bit wide DRAMs, and both single and double sided. It is also permissible to mix the DRAMs (FPM/EDO/SDRAM) bank by bank and the corresponding DRAM timing will be switched automatically according to register settings.

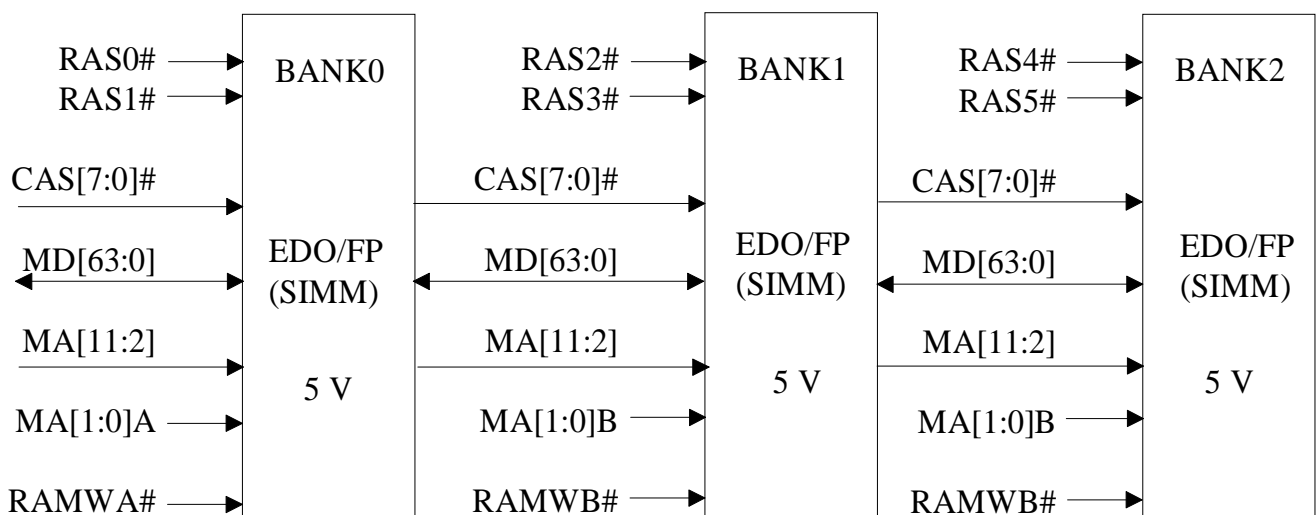
#### 3.3.2 DRAM Configuration

SiS Chip supports six rows of DRAMs each 64 bits wide. Regarding to these six row lines, BANK0 use RAS[1:0], BANK1 use RAS[3:2], BANK2 use RAS[5:4]. The six rows of DRAMs may be implemented in three banks of single-sided SIMMs for FPM/EDO DRAM, three banks of double-sided SIMMs, three banks of SDRAM or any other combinations as required. Access to the rows are not interleaved and need not to be populated starting from row 0 or in consecutive sequence.

The SiS Chip can support EDO, FPM and SDRAM. SDRAM, EDO and FPM DRAMs can not be mixed in one bank, however, different banks can use different types of DRAM..

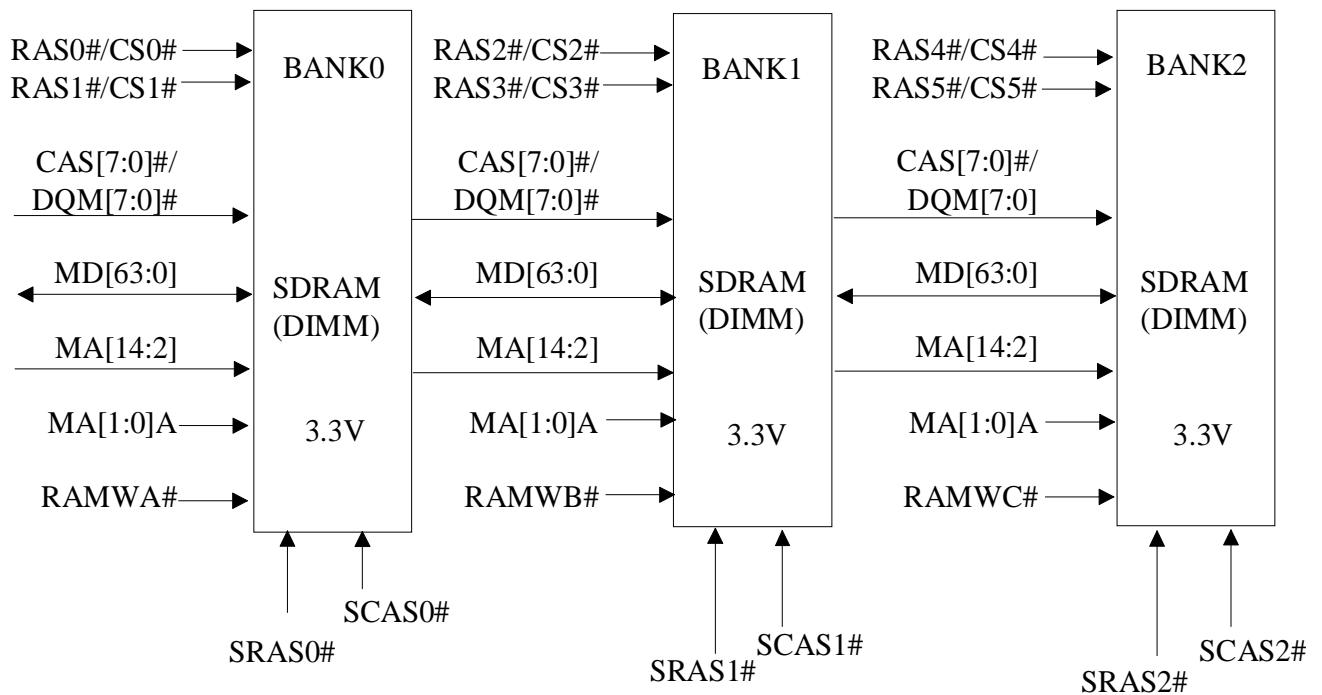
The basic configurations are shown as the following sections:

#### EDO/FPM DRAM Configuration (4 SIMM/6 SIMM):

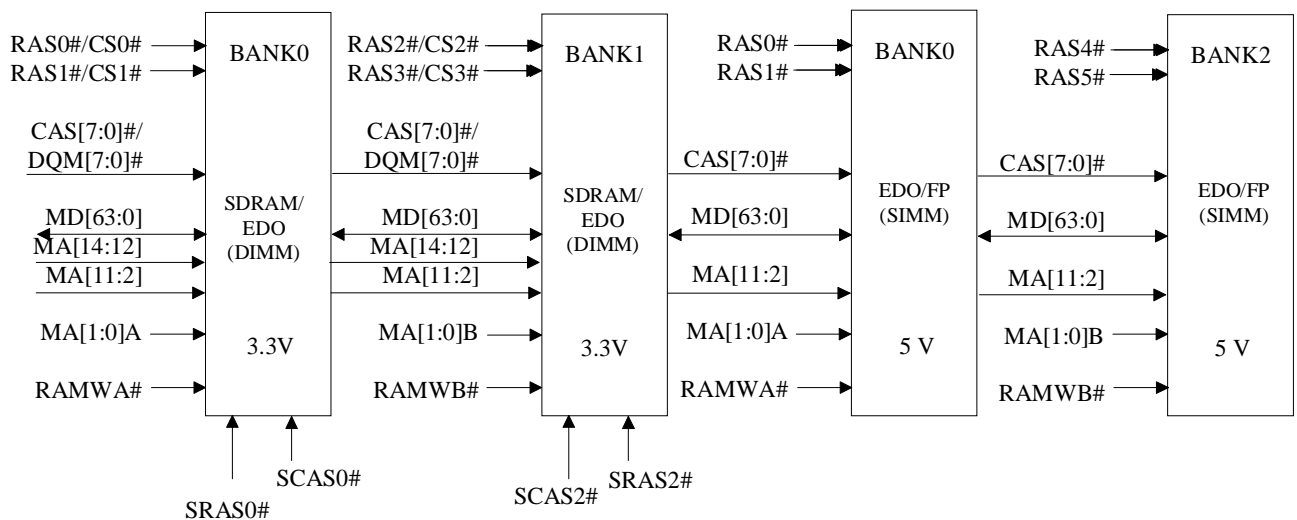




**SDRAM Configuration (2 DIMM/3 DIMM):**



**DRAM Type Mixed Configuration: EDO/FPM + SDRAM (4 SIMM + 2 DIMM)**



- NOTE :**
1. SiS Chip only support six rows (3 banks) DRAMs.
  2. It is recommended that board designer must follow DC characteristics of each type DRAM (SDRAM, EDO, FPM) to design the portion of DRAM in DRAM mode mixed configuration.
  3. SiS Chip will assert the RAS0#/CS0#, MA0A, MA1A, SCAS0, and SRAS0 (Bank 0) when integrated VGA controller access the main memory.
  4. If the KLOCK# or GPIO function are not needed, the Bank2 DRAM can used the RAMWC# instead of RAMWB#.
  5. Please refer to "Multiplexed pins" section to define the pin for each function.



### 3.3.3 DRAM Scramble Table

The DRAM scramble table contains information for memory address mapping. These tables provide the translation between CPU host address and memory Row and Column address.

There are several memory address mapping: 64-bit mapping and 32-bit mapping for FPM/EDO DRAM, 2 Banks and 4 Banks mapping for SDRAM that SiS Chip supports:

#### 64-bit mapping table for FPM/EDO DRAM

##### a. Symmetric:

Type	256K (9x9)		1M (10x10)		4M (11x11)		16M (12x12)	
Address	Row	Column	Row	Column	Row	Column	Row	Column
MA0	15	3	15	3	15	3	15	3
MA1	16	4	16	4	16	4	16	4
MA2	17	5	17	5	17	5	17	5
MA3	18	6	18	6	18	6	18	6
MA4	19	7	19	7	19	7	19	7
MA5	20	8	20	8	20	8	20	8
MA6	12	9	21	9	21	9	21	9
MA7	13	10	22	10	22	10	22	10
MA8	14	11	14	11	23	11	23	11
MA9	NA	NA	13	12	24	12	24	12
MA10	NA	NA	NA	NA	14	13	25	13
MA11	NA	NA	NA	NA	NA	NA	26	14

##### b. Asymmetric:

Type	512K (10x9)		1M (11x9)		2M (11x10)	
Address	Row	Column	Row	Column	Row	Column
MA0	15	3	15	3	15	3
MA1	16	4	16	4	16	4
MA2	17	5	17	5	17	5
MA3	18	6	18	6	18	6
MA4	19	7	19	7	19	7
MA5	20	8	20	8	20	8
MA6	21	9	21	9	21	9
MA7	13	10	22	10	22	10
MA8	14	11	14	11	23	11
MA9	12	NA	12	NA	13	12
MA10	NA	NA	13	NA	14	NA
MA11	NA	NA	NA	NA	NA	NA



Type	1M (12x8)		2M (12x9)		4M (12x10)		8M (12x11)	
Address	Row	Column	Row	Column	Row	Column	Row	Column
MA0	15	3	15	3	15	3	15	3
MA1	16	4	16	4	16	4	16	4
MA2	17	5	17	5	17	5	17	5
MA3	18	6	18	6	18	6	18	6
MA4	19	7	19	7	19	7	19	7
MA5	20	8	20	8	20	8	20	8
MA6	21	9	21	9	21	9	21	9
MA7	22	10	22	10	22	10	22	10
MA8	11	NA	23	11	23	11	23	11
MA9	12	NA	12	NA	24	12	24	12
MA10	13	NA	13	NA	13	NA	25	13
MA11	14	NA	14	NA	14	NA	14	NA

**32-bit mapping table for FPM/EDO DRAM****a. Symmetric:**

Type	256K (9x9)		1M (10x10)		4M (11x11)		16M (12x12)	
Address	Row	Column	Row	Column	Row	Column	Row	Column
MA0	15	3	15	3	15	3	15	3
MA1	16	4	16	4	16	4	16	4
MA2	17	5	17	5	17	5	17	5
MA3	18	6	18	6	18	6	18	6
MA4	19	7	19	7	19	7	19	7
MA5	11	8	20	8	20	8	20	8
MA6	12	9	21	9	21	9	21	9
MA7	13	2	13	2	22	2	22	2
MA8	14	10	14	10	23	10	23	10
MA9	NA	NA	12	11	13	11	24	11
MA10	NA	NA	NA	NA	14	12	25	12
MA11	NA	NA	NA	NA	NA	NA	14	13



**b. Asymmetric:**

Type	512K (10x9)		1M (11x9)		2M (11x10)	
Address	Row	Column	Row	Column	Row	Column
MA0	15	3	15	3	15	3
MA1	16	4	16	4	16	4
MA2	17	5	17	5	17	5
MA3	18	6	18	6	18	6
MA4	19	7	19	7	19	7
MA5	20	8	20	8	20	8
MA6	14	9	21	9	21	9
MA7	13	2	13	2	22	2
MA8	11	10	11	10	14	10
MA9	12	NA	12	NA	12	11
MA10	NA	NA	14	NA	13	NA
MA11	NA	NA	NA	NA	NA	NA

Type	1M (12x8)		2M (12x9)		4M (12x10)		8M (12x11)	
Address	Row	Column	Row	Column	Row	Column	Row	Column
MA0	15	3	15	3	15	3	15	3
MA1	16	4	16	4	16	4	16	4
MA2	17	5	17	5	17	5	17	5
MA3	18	6	18	6	18	6	18	6
MA4	19	7	19	7	19	7	19	7
MA5	20	8	20	8	20	8	20	8
MA6	21	9	21	9	21	9	21	9
MA7	10	2	22	2	22	2	22	2
MA8	11	NA	11	10	23	10	23	10
MA9	12	NA	12	NA	12	11	24	11
MA10	13	NA	13	NA	13	NA	13	12
MA11	14	NA	14	NA	14	NA	14	NA





**MA Mapping table for SDRAM**

**a. 2 Banks Device SDRAM Type:**

Type	1M (1x11x8)		2M (1x11x9)		4M (1x11x10)	
	Row	Column	Row	Column	Row	Column
MA0	15	3	15	3	15	3
MA1	16	4	16	4	16	4
MA2	17	5	17	5	17	5
MA3	18	6	18	6	18	6
MA4	19	7	19	7	19	7
MA5	20	8	20	8	20	8
MA6	21	9	21	9	21	9
MA7	22	10	22	10	22	10
MA8	12	NA	23	11	23	11
MA9	13	NA	13	NA	24	12
MA10	14	NA	14	NA	14	NA
MA11	11	11	12	12	13	13
MA12	NA	NA	NA	NA	NA	NA
MA13	NA	NA	NA	NA	NA	NA
MA14	NA	NA	NA	NA	NA	NA

Type	4M (1x13x8)		8M (1x13x9)		16M (1x13x10)	
	Row	Column	Row	Column	Row	Column
MA0	15	3	15	3	15	3
MA1	16	4	16	4	16	4
MA2	17	5	17	5	17	5
MA3	18	6	18	6	18	6
MA4	19	7	19	7	19	7
MA5	20	8	20	8	20	8
MA6	21	9	21	9	21	9
MA7	22	10	22	10	22	10
MA8	12	NA	23	11	23	11
MA9	13	NA	13	NA	24	12
MA10	14	NA	14	NA	14	NA
MA11	11	11	12	12	13	13
MA12	NA	NA	NA	NA	NA	NA
MA13	23	NA	24	NA	25	NA
MA14	24	NA	25	NA	26	NA



**b. 4 banks Device SDRAM Type:**

Type	2M (2x11x8)		4M (2x12x8)		8M (2x12x9)		16M (2x12x10)	
Address	Row	Column	Row	Column	Row	Column	Row	Column
MA0	15	3	15	3	15	3	15	3
MA1	16	4	16	4	16	4	16	4
MA2	17	5	17	5	17	5	17	5
MA3	18	6	18	6	18	6	18	6
MA4	19	7	19	7	19	7	19	7
MA5	20	8	20	8	20	8	20	8
MA6	21	9	21	9	21	9	21	9
MA7	22	10	22	10	22	10	22	10
MA8	23	NA	23	NA	23	11	23	11
MA9	13	NA	13	NA	24	NA	24	12
MA10	14	NA	14	NA	14	NA	25	NA
MA11	11	11	11	11	12	12	13	13
MA12	12	12	12	12	13	13	14	14
MA13	NA	NA	24	NA	25	NA	26	NA
MA14	NA	NA	NA	NA	NA	NA	NA	NA

Type	8M (2x13x8)		16M (2x13x9)		32M (2x13x10)	
Address	Row	Column	Row	Column	Row	Column
MA0	15	3	15	3	15	3
MA1	16	4	16	4	16	4
MA2	17	5	17	5	17	5
MA3	18	6	18	6	18	6
MA4	19	7	19	7	19	7
MA5	20	8	20	8	20	8
MA6	21	9	21	9	21	9
MA7	22	10	22	10	22	10
MA8	23	NA	23	11	23	11
MA9	13	NA	24	NA	24	12
MA10	14	NA	14	NA	25	NA
MA11	11	11	12	12	13	13
MA12	12	12	13	13	14	14
MA13	24	NA	25	NA	26	NA
MA14	25	NA	26	NA	27	NA



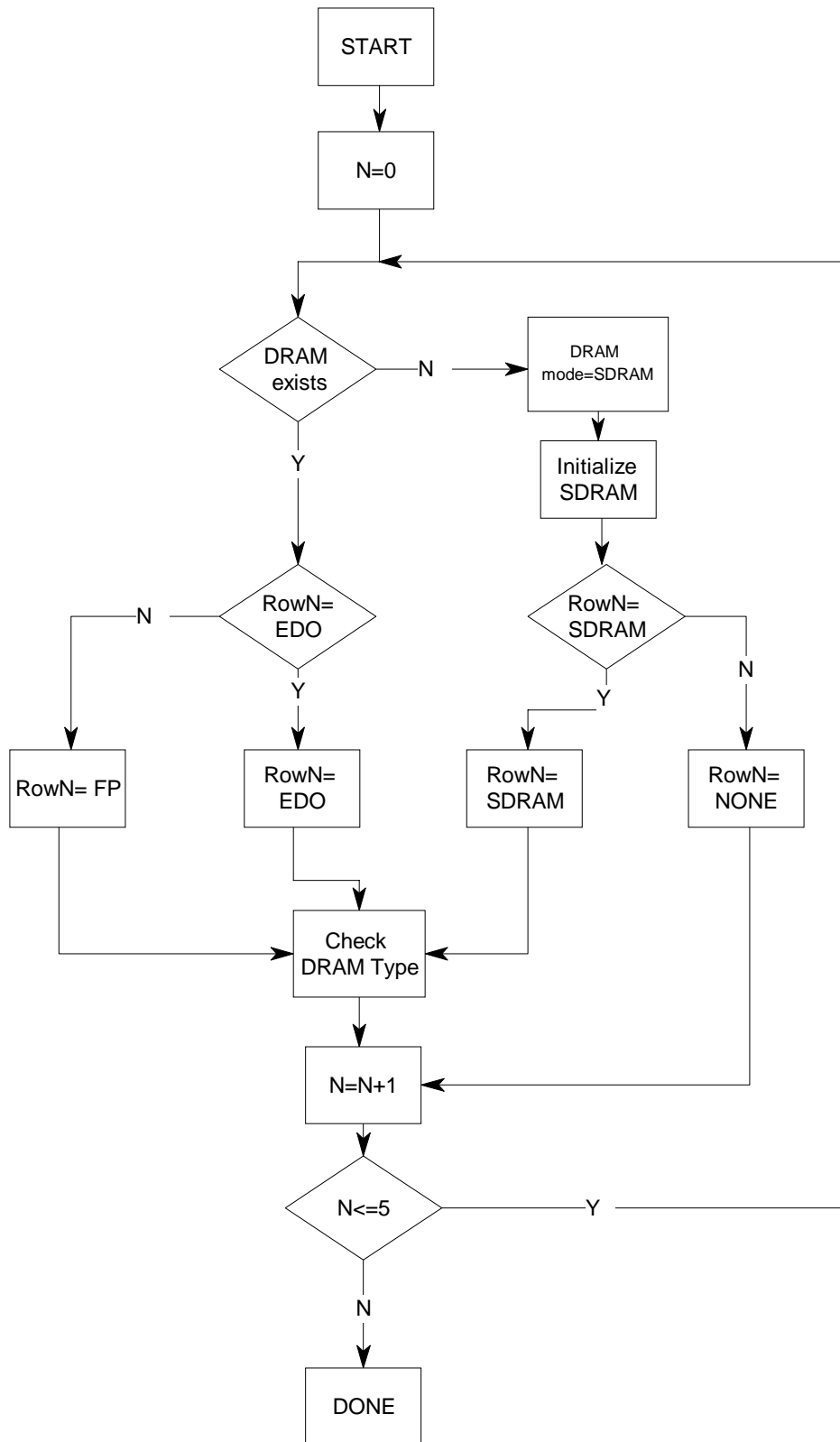
### 3.3.4 DRAM Detection Sequence

SiS Chip supports six rows (three banks) DRAMs for DRAM's SIMMs/DIMMs from row0 to row5. The DRAMs detection sequence is a row-based detection sequence, it is performed by the BIOS row by row and fulfill the DRAM configuration information into the corresponding DRAM configuration registers. The following steps will be described the DRAM detection sequence.

- Step 1. To detect if there is any DRAM populated in row N, SiS Chip set this row with maximum DRAM size, then write/read the same address with test pattern by the normal DRAM read/write timing and compare the data. If the read data is the same as the write pattern, then there exists DRAM in the rowN; otherwise, proceed the SDRAM detection from step 3.
- Step 2. If the DRAM is detected in the rowN by step 1, SiS Chip treat it as EDO or FPM DRAM. SiS Chip first write test pattern into DRAM, then set register 55h bit 6 (EDO test bit) to be "1" in PCI/memory bridge configuration register, and do the read, compare test pattern from the same DRAM location. The EDO test bit will delay the data forward to CPU after 4096 CPU clock. If the CPU still get the right data, then EDO mode DRAM is set to this row; otherwise, the FP mode DRAM is set. Go to step 8.
- Step 3. If the DRAM is detected not populated in row N by normal write/read procedure, SiS Chip check if there is SDRAM exist in this row or not. SiS Chip first assume the DRAM mode is SDRAM (set bit [7:6] of register 60h/61h/62h to be "11" in Host to PCI bridge configuration register, it depends on which bank is under detection), and then do the SDRAM initialization procedure from step 4 to step 7.
- Step 4. Set register 56h bit 3 to "1" to enable SDRAM sizing, then set register 57h bit 7 to be "1", register 57h bit 7 will drive a precharge command to SDRAM, then disable this bit (set to be "0").
- Step 5. Set register 57h bit 6 to be "1", this bit will drive a "mode register set" (MRS) command to SDRAM. When SDRAM receive MRS command, it will load the needed information (Toggle/Linear mode, CAS Latency) into SDRAM. After doing MRS, disable this bit ( set to be "0").
- Step 6. Set register 57h bit 5 to be "1" at least two times, then SDRAM will perform refresh cycle at least two times before the normal operation. Disable this bit ( set to be "0").
- Step 7. Write/Read the test pattern into SDRAM, then compare the data. If the data is correct, SDRAM is detected, and set rowN as SDRAM; otherwise, rowN is no DRAM populated. Set Register 56h bit 3 to "0".
- Step 8. After DRAM mode is set, SiS Chip do DRAM sizing by write/read test pattern based on the MA mapping table.
- Step 9. Repeat from step 1 to step 8 to detect the other rows.

Note : The value of N is from 0 to 5.

The following will be shown the flow chart of DRAM Detection Sequence.



DRAM Detection Sequence

Figure 3-1



### 3.3.5 DRAM Performance

All the DRAM cycles are synchronous with the CPU clock. The following table shows the different possible speed settings that depend on different DRAM type, RAS# setting, CAS# setting, and so forth.

Cycle Type	DRAM type	75Mhz	66/60/50 Mhz	Note
Read Page Hit	EDO	5-2-2-2	5-2-2-2	
	FPM	5-3-3-3	5-3-3-3	*1
	SDRAM	6-1-1-1	6-1-1-1	CL=2
		7-1-1-1	7-1-1-1	CL=3
Read Row Start	EDO	9-2-2-2	8-2-2-2	*2
	FPM	9-3-3-3	8-3-3-3	*1
	SDRAM	10-1-1-1	9-1-1-1	CL=2
		11-1-1-1	10-1-1-1	CL=3
Read Page Miss	EDO	13-2-2-2	12-2-2-2	*3, *4
	FPM	13-3-3-3	12-3-3-3	*1 *3 *4
	SDRAM	11-1-1-1	10-1-1-1	CL=2, *4
		12-1-1-1	11-1-1-1	CL=3, *4
Back-to-Back Burst Read Page Hit	EDO	5-2-2-2-2-2-2-2...	5-2-2-2-2-2-2-2...	
	FPM	5-3-3-3-3-3-3-3...	5-3-3-3-3-3-3-3...	
	SDRAM	6-1-1-1-2-1-1-1...	6-1-1-1-2-1-1-1...	CL=2, *5
		7-1-1-1-3-1-1-1...	7-1-1-1-3-1-1-1...	CL=3, *5
Posted Write	EDO/FPM/SDRAM	3-1-1-1	3-1-1-1	
Write Retire Rate (Buffer to DRAM)	EDO	2-2-2	2-2-2	
	FPM	3-3-3	3-3-3	*1
	SDRAM	2-2-2	1-1-1/2-2-2	CL=2
1-1-1/2-2-2			CL=3	
Write Page Hit	EDO	2	2	
	FPM	2	2	
	SDRAM	2	2	CL=2
		2	2	CL=3
Write Row Start	EDO	7	6	
	FPM	7	6	
	SDRAM	7	6	CL=2
		7	6	CL=3
Write Page Miss	EDO	10	9	
	FPM	10	9	
	SDRAM	10	9	CL=2
		10	9	CL=3

**Note:** EDO CAS# width=1T, FPM CAS# width=2T, CAS precharge time=1T, 60ns DRAM.



- \*1 X-4-4-4 is for both CAS pulse width and CAS precharge time are 2 CPU clocks.
- \*2 It is for RAS to CAS time of 3 CPU clocks.
- \*3 It is for RAS pre-charge time of 4 CPU clocks, RAS to CAS time of 3 CPU clocks.
- \*4 EDO : 9-2-2-2, FPM : 9-3-3-3 and SDRAM : 8-1-1-1 during pipelined cycle.
- \*5 6-1-1-1-4-1-1-1 and 7-1-1-1-5-1-1-1 for L2 Cache is populated.

### 3.3.6 CPU to DRAM Posted Write FIFOs

There is a built-in CPU to Memory posted write buffer with 8 QWord deep (CTMFF). All the write access to DRAM will be buffered. For the CPU read miss / Line fill cycles, the write-back data from the second level cache will be buffered first, and right after the data had been posted write into the FIFO, CPU can perform the read operation by the memory controller starting to read data from DRAMs. The buffered data are then written to DRAM whenever no any other read DRAM request comes. With this concurrent write back policy, many wait states are eliminated. If there comes a bunch of continuous DRAM write cycles, some ones will be pending if the CTMFF is full.

### 3.3.7 32-bit (Half-Populated) DRAM Access

For the read access, there will be either single or burst read cycle to access the DRAM which depends on the cacheability of the cycle. If the current DRAM configuration is half-populated bank, then the SiS Chip will assert 8 consecutive cycles to access DRAM for the burst cycle. For the single cycle that only accesses DRAM within a DWord, the SiS Chip will only issue one cycle to access DRAM. For the single cycle that accesses one Qword or cross DWord boundary, the SiS Chip will issue two consecutive cycles to access DRAM.

### 3.3.8 Arbiter

The arbiter is the interface between the DRAM controller and the host which can access DRAMs. In addition to pass or translate the information from outside to DRAM controller, arbiter is also responsible for which master has higher priority to access DRAMs. The arbiter treats different DRAM access request as DRAM master, and that makes there be 5 masters which are trying to access DRAMs by sending their request to the arbiter. After one of them get the grant from the arbiter, it owns DRAM bus and begins to do memory data transaction. The masters are: CPU read request, PCI master, Posted write FIFO write request, VGA request and Refresh request. The order of these masters shown above also stands for their priority to access memory.

### 3.3.9 Refresh cycle

The refresh cycle will occur every 15.6 us, 62.4 us, 124.8 us and 187.2 us and depend on setting the register 53h bits[2:1] in Host to PCI bridge configuration space. It is timed by a counter of 14Mhz input. The CAS[7:0]# will be asserted at the same time, and the RAS[5:0]# are asserted sequentially.



### 3.4 PCI bridge

SiS Chip is able to operate at both asynchronous and synchronous PCI clocks. Synchronous mode is provided for those synchronous system to improve the overall system performance. While in the PCI master write cycles, post-write is always performed. And function of Write Merge with CPU-to-DRAM post-write buffer is incorporated to eliminate the penalty of snooping write-back. On the other hand, prefetch is enabled for master read cycles by default, and such function could be disabled optionally. And, Direct-Read from CPU-to-DRAM post-write buffer is implemented to eliminate the overhead of snooping write-back also. In addition to Write-Merge and Direct-Read, Snoop-Ahead also hides the overhead of inquiry cycles for master to main memory cycles. These key functions, Write-Merge, Direct-Read and Snoop-Ahead, achieve the purpose of zero wait for PCI burst transfer. The post-write and prefetch buffers are both 16 Double-Word deep FIFOs .

#### 3.4.1 Snooping Control

In order to maintain the cache consistency while PCI master accesses to main memory, SiS Chip performs inquiry cycle to snoop L1 and L2 caches before PCI masters really read from or write to memory. For the purpose of snooping, AHOLD is asserted to force the Pentium-like processors to float its address bus as soon as PCI master requests the PCI bus. Such host bus hold mechanism is completed by an AHOLD/BOFF# process and will be depicted later. Since the inquiry cycle is the major penalty for PCI master cycles, SiS Chip builds in a high performance snoop-ahead mechanism to incorporate the zero wait requirement of PCI bus transactions.

The main idea of “snoop-ahead” is to do memory operations and inquiry cycle simultaneously. For example, when transferring the Ln line of data, SiS Chip also performs the Ln+1 line of inquiry cycle in the mean while.

#### 3.4.2 AHOLD/BOFF# Process and Arbiter Interface

In order to perform inquiry cycles, SiS Chip uses AHOLD to hold address bus of Pentium-like CPUs. While PCI master asserts PREQ#, SiS Chip will drive AHOLD firstly. And, if PCI master operates a peer-to-peer transaction, SiS Chip will deasserts AHOLD to permit CPU to do memory cycles concurrently. Otherwise, SiS Chip retains AHOLD signal until PREQ# is inactive and bus transaction completes.

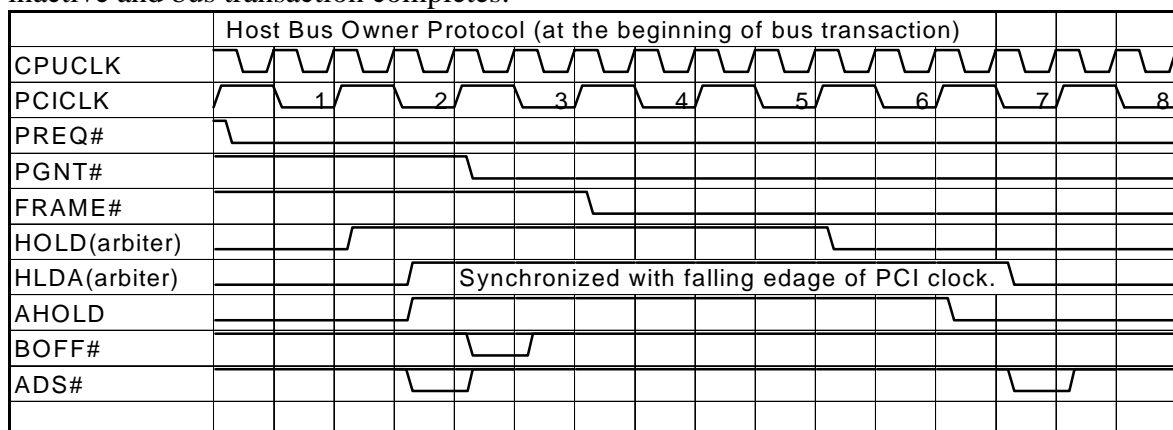
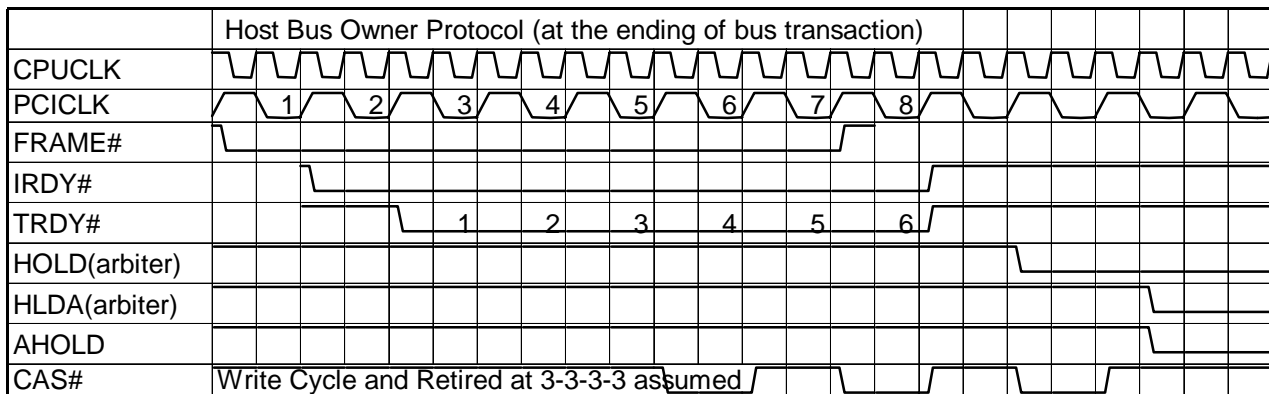


Figure 3-2



Note: HOLD & HLDA are internal signals.

*Figure 3-3*

### 3.4.3 Target Initiated Termination

In general, SiS Chip is capable to complete all the requests to access main memory from PCI masters until master terminates the transaction actively. Sometimes, as SiS Chip is unable to respond or is unable to burst, it will initiate to terminate bus transactions and STOP# will be issued by doing Retry or Disconnect.

### 3.4.4 Target Retry

SiS Chip may operate Target Retry for one of two reasons:

1. Whenever a PCI master tries to access main memory and SiS Chip is locked previously by another agent, Target Retry will be signaled.
2. Once SiS Chip can't meet the requirement of target initial latency, Target Retry is used and no data is transferred.

### 3.4.5 Disconnect With Data

In some situations, such as the burst crosses a resource boundary or a resource conflict, SiS Chip might be temporarily unable to continue bursting, and, therefore, SiS Chip concludes an active termination.

1. SiS Chip supports PCI burst transfers, the bursting length can be 256 bytes, 512 bytes, 1K bytes, 2K bytes, or 4K bytes and depend on setting the register 80h bits[7:5] in Host to PCI bridge configuration space. A burst will be terminated by doing Disconnect if the transfer goes across the programmed bursting length. In this way, at most 128 cache lines of data can be uninterruptedly transferred no matter what the status they are in L1 and L2 cache. One reason for the constraint is that page miss may occur only once at the beginning of the entire bursting transaction since the maximum bursting length is always within the page size in any of the used DRAM.
2. If advanced snoop function is disabled, PCI transaction will not cross the cache boundary and also causes a Disconnect operation. Since the heavy overhead of inquiry cycles is not preventable, and SiS Chip can't keep bursting transfer.





### 3.4.6 Disconnect Without Data

If Target Subsequent Latency timer expires, it causes SiS Chip to assert STOP# by doing Disconnect operation.

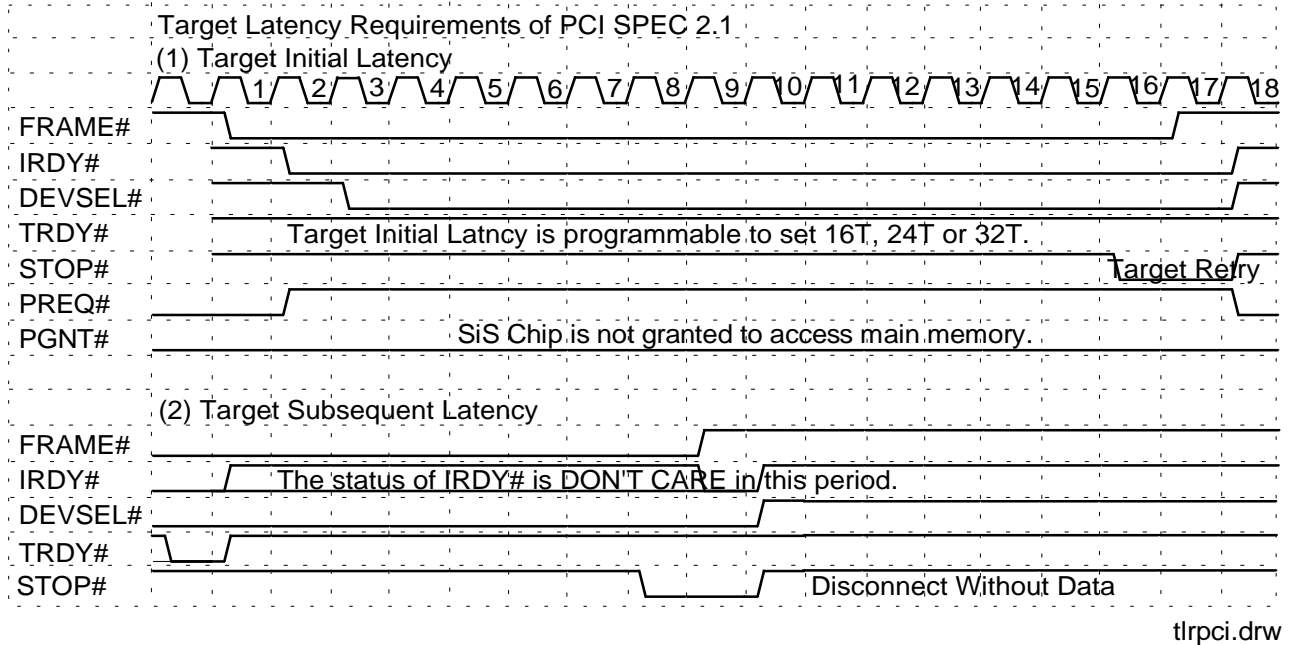


Figure 3-4

### 3.4.7 DATA Flow

The major two data paths are PCI->PTHFF->DRAM and DRAM->CTPFF->PCI for PCI master write DRAM cycles and read DRAM cycles, respectively. For cache system, if an inquiry cycle hits Pipeline Burst SRAM, SiS Chip would read from L2 directly, but write DRAM and L2 CACHE simultaneously.

Based on snooping result, there are additional data path that SiS Chip should perform.

Table Data Flow Based on Snooping Result

PCI Master Read Memory Cycle			
Result of Snoop		Data Flow	Operation
Status of L1	Status of L2		
Miss or Unmodified	Miss or None	DRAM -> CTPFF -> PCI	Read DRAM
	Hit and Not Dirty	DRAM -> CTPFF -> PCI	Read DRAM
	Hit and Dirty	L2 -> CTPFF -> PCI	Read L2
Hit Modified	Miss or None	L1 -> CTMFF & CTPFF CTPFF -> PCI	Direct Read
	Hit, Dirty or Not	L1 -> L2 & CTPFF CTPFF -> PCI	Direct Read

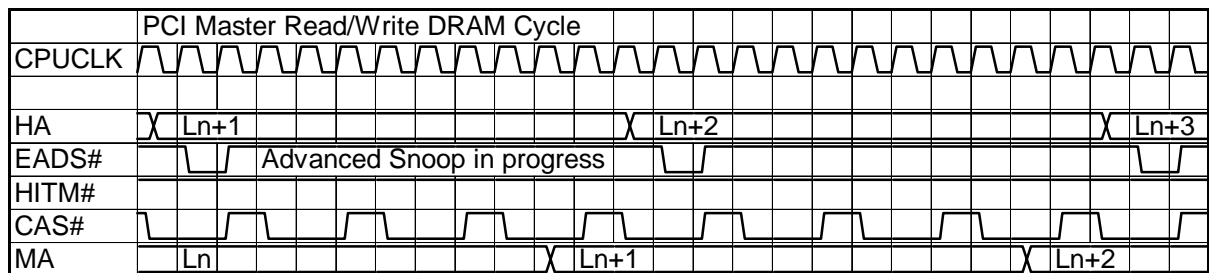


PCI Master Write Memory Cycle			
Result of Snoop		Data Flow	PSL Operation
Status of L1	Status of L2		
Miss or Unmodified	Miss or None	PCI -> PTHFF -> DRAM	Write DRAM
	Hit, Dirty or Not	PCI -> PTHFF -> L2&DRAM	Write DRAM&L2
Hit Modified	Miss or None	L1 -> CTMFF PTHFF & CTMFF -> DRAM	Write Merge
	Hit, Dirty or Not	L1 -> L2 PCI -> PTHFF -> L2&DRAM	Write DRAM&L2

Note: CTPFF means CPU-to-PCI Posted Write Buffer.  
 CTMFF means CPU-to-Memory Posted Write Buffer  
 PTMFF means PCI-to-Memory Posted Write Buffer

### 3.4.8 PCI Master Read/Write DRAM Cycle

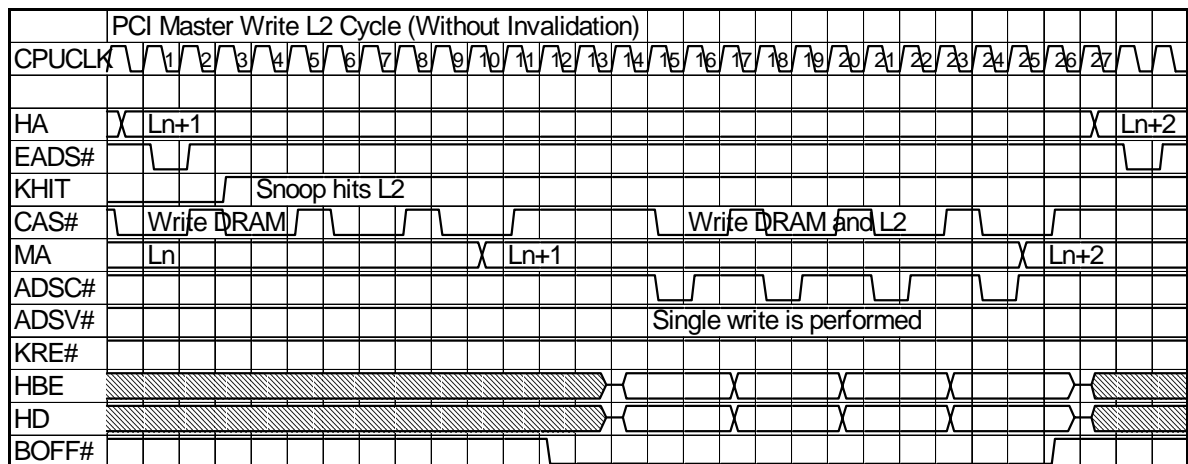
If inquiry cycle hits neither L1 nor L2 cache, SiS Chip could perform prefetching/retiring operation and inquiry cycles simultaneously.



### 3.4.9 PCI Master Write L2 CACHE and DRAM Cycles

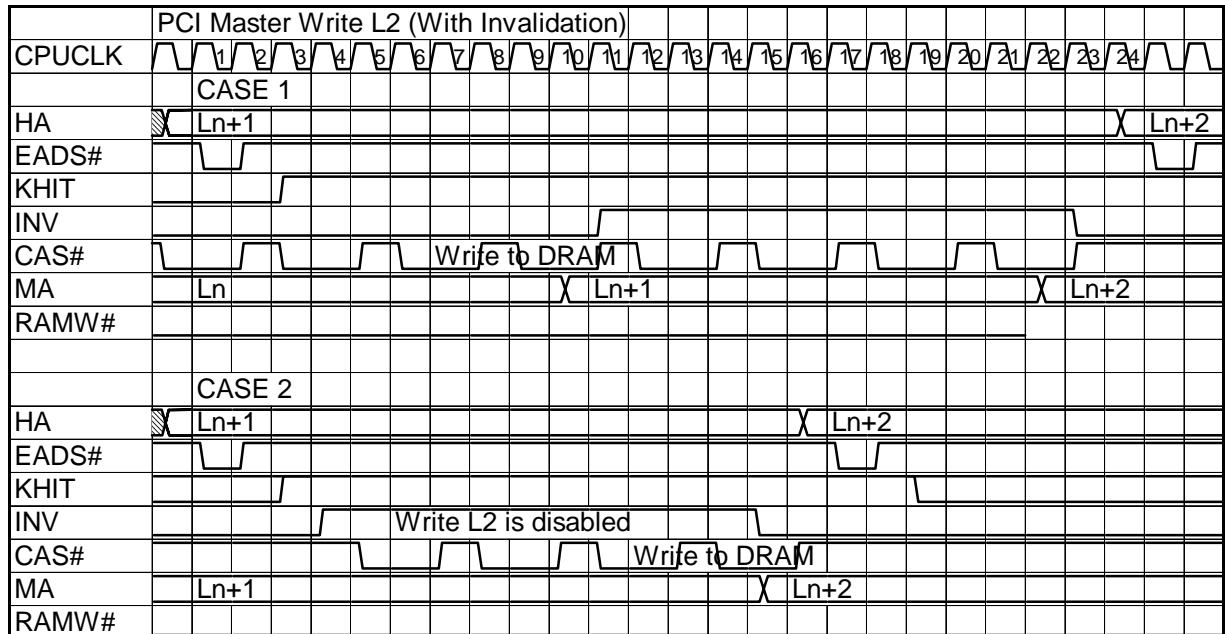
#### (1) Without Invalidation

For the purpose of writing L2 CACHE, PCI Slave controller (PSL) must drive the HBE[7:0]# and HD bus. Then, BOFF# is asserted to force CPU floats the host bus. And to retain the correct address on HA bus, advanced snoop is temporarily suspended.



Note: KHIT is an internal signal.

## (2) With Invalidation



Note: KHIT is an internal signal.

### 3.4.10 PCI Arbiter

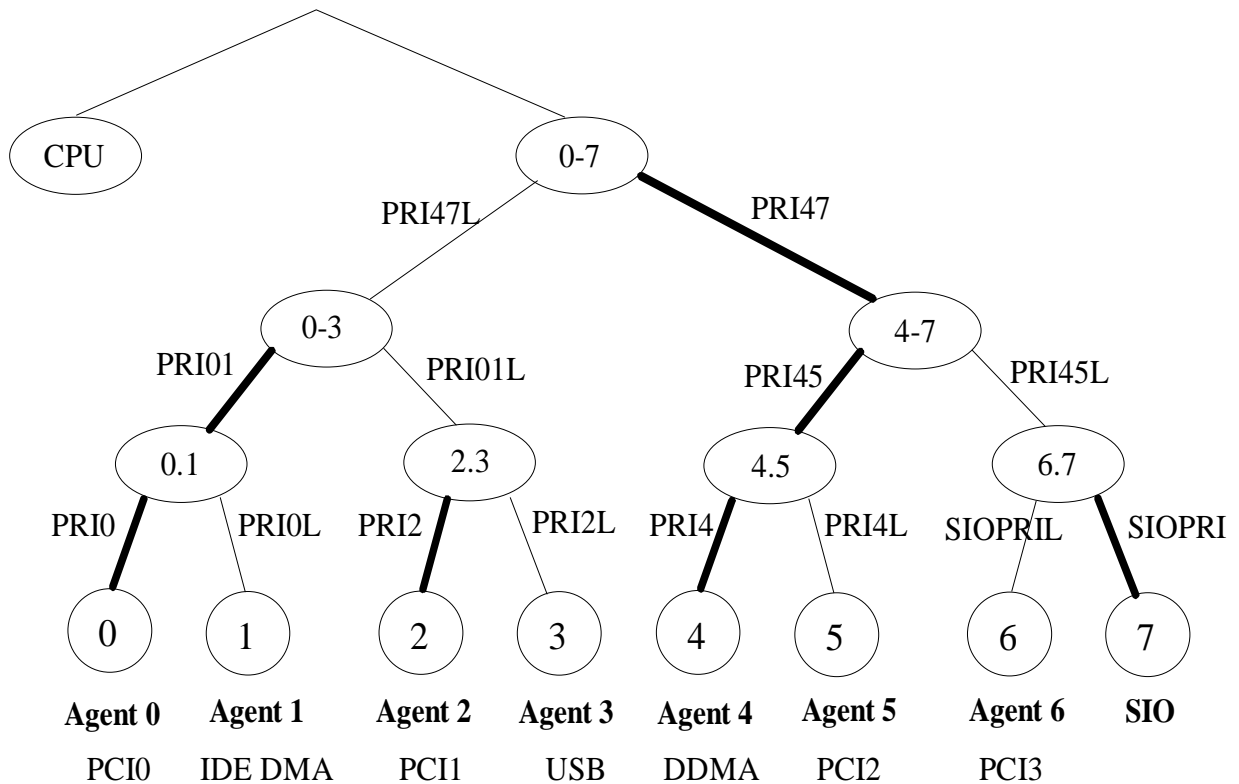
The main function of PCI arbiter takes charge of the PCI bus ownership assignment. This PCI arbiter supports at most 4 external PCI masters and 4 internal PCI masters. The arbitration operation is applied to the Host Bridge and CPU.

The arbitration scheme which we design is done at two layers. CPU has the highest priority, i.e., CPU will be the PCI bus owner if there is a request from the Host Bridge. If there is no request from the Host Bridge, rotational priority scheme will be applied to these masters.

#### Arbitration Algorithm

##### PCI Masters (Agent 0~6, SIO) Requests

Figure 3-5 shows the arbitration tree in arbiter design. Whenever a PCI cycle occurs, priority status will be changed. The initial priority for master 0-7 to own PCI bus is 4 -> 0->SIO->2->5->1->6->3->4.....



**Figure 3-5 Arbitration Tree**

**NOTE:** “SIO” means the System I/O for PCI to ISA bridge.

### **CPU Request**

In our previous design, CPU will be constantly held if PCI masters continuously deliver requests to the arbiter. To address this problem in SiS Chip, we derived a timer-based algorithm to reserve PCI bandwidth for CPU. Three timers, PCI Grant Timer(PGT)/Master Latency Timer(MLT)/CPU Idle Timer(CIT), are included in the host bridge for this purpose.

Whenever the PCI bus is owned by any PCI device other than host bridge, PCI grant timer (PGT) starts to count. After the timer is expired, the host bridge asserts its request signal to ask for gaining the control of PCI bus. Since the host bridge has the highest priority, PCI arbiter grants the bus to the host bridge as soon as possible after it receives the request from the host bridge.

Once the host bridge get a chance to start a transaction on PCI bus, its master latency timer (MLT) begins to count. After MLT is expired, the host bridge deasserts its request signal to inform the arbiter that the host bridge no more needs the PCI bus. If there is any other PCI device that requests for the bus, arbiter grants the bus to the device and CPU is held again.

If there is no request from any PCI devices, the arbiter parks the bus on the host bridge. The ratio MLT/PGT approximately guarantees the minimum PCI bandwidth allocated to host bridge when CPU and PCI masters are contending for system resources, but it doesn't constrain CPU's highest utilization of PCI bus because of our bus parking policy.

To prevent the host bridge from capturing PCI bus too long while CPU actually has nothing to do at all, the third timer, CPU Idle Timer (CIT) is included in our design. CIT starts to count when the host bridge get a chance to start a transaction on PCI bus, but is reloaded with its



initial value whenever the host bus leaves idle state. CIT actually keeps track on how long the CPU is in idle state. After CIT is expired, the host bridge deasserts its request signal just in the same manner as the case of MLT's expiration.

PGT is a 16-bit timer. MLT and CIT are both 8-bit timers. All of the initial values of the three timers are programmable and can be tuned according to the nature of the application. Although CIT & MLT are both 8-bit timers, the initial value of CIT is typically programmed much smaller than MLT.

#### **PCI peer-to-peer access concurrent with CPU to L2/DRAM access**

With this feature, a transaction initiated by a PCI master targeting a PCI target won't hold CPU. The CPU can still access L2 cache, system memory and PCI post-write buffers when PCI peer-to-peer activities are undergoing. With the enlarged 8 Dword deep PCI post-write buffers, it takes longer for CPU to halt while PCI peer-to-peer accesses are taking place.

#### **Arbitration Parking**

When no agent is currently using or requesting the bus, the arbiter will grant the bus ownership to the arbitration controller of SiS Chip.

#### **CPU to PCI Bridge**

The CPU to PCI bridge forwards the CPU cycles not targeting the local memory to the PCI bus. In the case of a 64-bit CPU request or a misaligned 32-bit CPU request, the bridge takes the duty of read assembly and write disassembly control. An 8 level post-write buffer is implemented to improve the performance of CPU to PCI memory write and CPU to IDE port write. Except for on-board memory write cycles, and any non-post write cycles forwarded to the PCI bus will be suspended until the post-write buffer is empty. For memory write cycles toward PCI or I/O write cycles towards IDE data port, the address and data from host bus are pushed into the post write buffer if it is not full. The push rate for a double word is 3 CPU clocks. The pushed data are, at later time, written to the PCI bus. If the addresses of consecutive written data are in double word incremental sequence and they are targeting memory space, they will be transferred to the PCI bus in a burst manner.

The bridge provides a mechanism for converting standard I/O cycles on the CPU bus to configuration cycles on the PCI bus. Configuration Mechanism#1 in PCI Specification is used to do the cycle conversion.

The bridge always intercepts the first interrupt acknowledge cycle from CPU bus, and forwards the second interrupt acknowledge cycle onto the PCI bus.

The bridge is designed to be able to handle asynchronous clock relationship between CPU and PCI. However, in order to enhance the performance of the bridge when PCI clock is lagging CPU clock by 2~4 ns, an optional synchronous mode is provided. The synchronous mode can averagely save two extra CPU clocks for a single non-post cycle.

### 3.5 Power Management Unit (PMU)

The function of PMU is to provide power management functions for the system to meet Green PC requirement. The main methodology of PMU is to generate SMI#, STPCLK# and FLUSH# signals to CPU for different situations. The PMU unit includes 3 major sub-blocks, Legacy PMU, APC and ACPI. Legacy PMU is the traditional PMU block and may be replaced by ACPI. APC(Auto Power Control) block is mainly responsible for the power supply control. For more information on ACPI please refer to Section 3.6.8 Advanced Configuration and Power Interface (ACPI) on page 46. The following sections will introduce the legacy PMU function.

#### 3.5.1 Legacy PMU Block Diagram

Legacy PMU block can be divided into several sub-blocks as shown in Figure 3-6 Legacy PMU Block Diagram. Events Catching Logic is responsible for recording the events that request SMI#. Time Base generation logic is to generate the clock for timer. Timers are responsible for timeout reporting. SMI generation Logic is for SMI# generation. STPCLK# generation Logic is for STPCLK# generation. FLUSH# generation Logic is for FLUSH# generation.

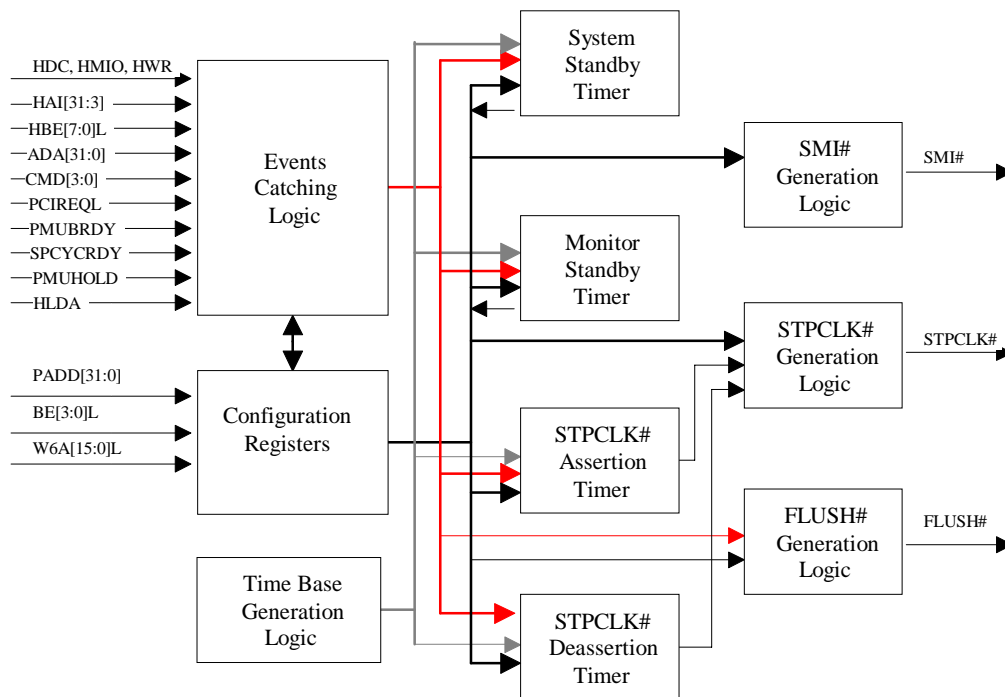


Figure 3-6 Legacy PMU Block Diagram

#### 3.5.2 Time Base Generation Logic

All the clocks used in Legacy PMU timers are derived from 14.318 MHz clock. To support different time slots, SiS Chip uses frequency divider to obtain the clock we require. The time slots SiS Chip support are divided in two classes. One is for monitor standby timer and the



other is for system standby timer. The former includes 6.6sec, 0.84sec, 13.3ms and 1.6ms programmability in register 96h bits[7:6] of Host-to-PCI bridge configuration space while the latter includes 9 sec, 1.1 sec, 70ms and 8.85ms programmability in register 91h bits[1:0] of Host-to-PCI bridge configuration space. Besides, SiS Chip provide CPU clock for timer in test mode.

### 3.5.3 Timers

There are three kinds of timer defined in Legacy PMU. One is for monitor activity, another is for system activity and the other is for STPCLK# behavior generation. In order to save monitor power dissipation, we provide monitor standby timer to detect if there is any monitor-related activity. If there is any activity, monitor standby timer will be reloaded. Otherwise, monitor standby timer will continuously count down. If it count to zero, it will report timeout event. System standby timer has the same operation as monitor standby timer. STPCLK# assertion/deassertion timer is to toggle STPCLK# signal in Throttling mode.

### 3.5.4 Event Catching Logic

#### System Sleep Events

The timeout of system timer will request SMI# to enter Sleep state. If throttling mode is enabled, Legacy PMU will enter throttling mode. Otherwise, if STPCLK# mode is enabled, Legacy PMU will enter sleep mode. If both modes are disabled, Legacy PMU remains wakeup.

#### System Wakeup events

The following events will wakeup system from Standby state to Normal state.

- Software Wakeup
- RING
- IRQ 1-15, NMI
- INIT
- PCI or ISA master request

#### Monitor Timeout event

If monitor timer expired, SMI# will be generated for the request of turn-off monitor power.

#### Monitor Wakeup Events

The following shows the events that can wakeup monitor from Standby to Normal state.

- IRQ1-15,NMI
- PCI master, ISA master activity
- Ring Activity

#### SMI Sources

The following shows the sources to generate SMI request.

- System Standby SMI
- System Wakeup SMI
- Throttling Wakeup SMI





Monitor Standby SMI  
Monitor Wakeup SMI  
Ring SMI  
Keyboard Port SMI  
Primary Hard Disk Port SMI  
Secondary Hard Disk Port SMI  
Primary Serial Port SMI  
Secondary Serial Port SMI  
Parallel Port SMI  
APM SMI  
Break Switch SMI (External SMI)  
10-bit Programmable Port SMI  
16-bit Programmable Port SMI  
IRQ SMI  
USB SMI

### 3.5.5 Output generation Logic

#### **SMI# generation**

When there is any event to request entering sleep/throttling/wakeup state, SMI# will be issued. When SMI# is recognized by CPU, SMI routine will handle the operation of state transition.

#### **STPCLK# generation**

STPCLK# generation is initialized by SMI sub-routine by writing Reg. 93 bit 3 to '1' in Host to PCI bridge configuration space. The behavior of STPCLK# depends on the configuration register setting, i.e., non-throttling or throttling.

#### **FLUSH# generation**

FLUSH# is generated for DeTurbo mode. By issuing FLUSH#, CPU will write back all modified cachelines in the data cache and invalidate both internal code and data caches. Flush Acknowledge special cycle will be driven once flush operation is completed. Hence, CPU performance can be degraded.

### 3.5.6 Operation of Power Management

There are three states in PMU, i.e., Wakeup state, Sleep state and Throttling state. In wakeup state, system wakes up from sleep or throttling state. In sleep state, STPCLK# will always asserted until exiting Sleep state. In throttling state, STPCLK# will be asserted and deasserted periodically.

Once CPU recognizes a STPCLK# interrupt, CPU will perform the following:

1. Wait for all instructions being executed to complete.
2. Flush the instruction pipeline of any instructions waiting to be executed.
3. Wait for all pending bus cycles to complete and EWBE# to go active.
4. Drive a special bus cycle(stop grant bus cycle) to indicate that the clock is being stopped.  
Stop grant bus cycle is decoded as follows: M/IO#=0, D/C#=0, W/R#=1, Address Bus=00000010H (A4=1), BE7#-BE0#=11111011, Data bus=undefined.





5. Enter low power mode.

The rising edge of STPCLK# indicates that CPU can return to program execution at the instruction following the interrupted instruction

### 3.5.7 Hardware Limitation

If STPCLK# is configured as throttling mode. There is a possibility for SMI to break Configuration Register Access. To elaborate, there are two steps to access Configuration registers. The first step is to program I/O port CF8h and the second one is to program I/O port CFCh. If SMI routine begins to be executed between the two steps by CPU. There is possibility for PMU to cause mal-function.

The recommended solution for this problem is to read the CF8h data before executing other code in SMI routine and write back the data to CF8h before exiting SMI routine.

## 3.6 PCI/ISA System I/O (PSIO)

### 3.6.1 Functional Description

As a PCI slave device, PSIO responds to both I/O and memory transfers. PSIO always target-terminates after the first data phase for any bursting cycle.

The PSIO is assigned as the subtractive decoder in the Bus 0 of the PCI/ISA system by accepting all accesses not positively decoded by some other agent. In reality, the PSIO only subtractively responds to low 64K I/O or low 16M memory accesses. PSIO also positively decodes I/O addresses for internal registers, and BIOS memory space by asserting DEVSEL# signal on the medium timing.

As a PCI master device, the PCI master bridge on behalf of DMA devices or ISA Master devices start to drive the AD bus, C/BE[3:0]# and PAR signals. When MEMR# or MEMW# is asserted, the PSIO will generate FRAME#, and IRDY# to PCI bus if the targeted memory is not on the ISA side. The valid address and command are driven during the address phase, and PAR signal is asserted one clock after that phase. PSIO always activated FRAME# for 2 PCLKs because it does not conduct any bursting cycle.

The ISA address decoder is used to determine the destination of ISA master devices or DMA devices. This decoder provides the following options as they are defined in registers 48h to 4Bh of PCI to ISA Bridge configuration space.

- a. Memory: 0-512K
- b. Memory: 512K-640K
- c. Memory: 640K-768K(video buffer)
- d. Memory: 768K-896K in eight 16K sections(Expansion ROM)
- e. Memory: 896K-960K(lower BIOS area)
- f. Memory: 1M-XM-16M within which a hole can be opened. Access to the hole is not forwarded to PCI bus.
- g. Memory:>16M automatically forwards to PCI.



### 3.6.2 ISA Bus Controller

The SiS Chip's ISA Bus Interface accepts those cycles from PCI bus interface and then translates them onto the ISA bus. It also requests the PCI master bridge to generate PCI cycle on behalf of DMA or ISA master devices. The ISA bus interface thus contains a standard ISA Bus Controller (IBC) and a Data Buffering logic. IBC provides all the ISA control, such as ISA command generation, I/O recovery control, wait-state insertion, and data buffer steering. The PCI to/from ISA address and data bus bufferings are also all integrated in SiS Chip. The SiS Chip can directly support 4 ISA slots without external data or address buffering.

Standard ISA bus refresh is requested by Counter 1, and then performed via the IBC. IBC generates the pertinent command and refreshes address to the ISA bus. Since the ISA refresh is transparent to the PCI bus and the DMA cycle, an arbiter is employed to resolve the possible conflicts among PCI cycles, refresh cycles, and DMA cycles.

### 3.6.3 DMA Controller

The SiS Chip contains a seven-channel DMA controller. The channel 0 to 3 is for 8-bit DMA devices while channel 5 to 7 is for 16-bit devices. The channels can also be programmed for any of the four transfer modes, which include single, demand, block, and cascade. Except in cascade mode, each of the three active transfer modes can perform three different types of transfers, which include read, write, and verify. The address generation circuitry in SiS Chip can only support 24-bit address for DMA devices.

#### Distributed DMA

Distributed DMA allows the individual DMA channels to be separated into different physical devices on the PCI bus. In distributed DMA, the DMA Master contains the addresses that were occupied by the traditional ISA DMA Controller(8237). This device will respond to any system read or write to the traditional ISA DMA address locations so the software will continue to think it is communicating with a standard DMA controller. The SiS Chip is the DMA Master and the protocol is as follows:

- 1). When the CPU bridge attempts to read/write a legacy DMA register, a PCI I/O cycle will be initiated on the PCI bus with a legacy DMA address. The SiS Chip will take control of this cycle by driving DEVSEL# active, driving the internal Request(requesting the PCI bus), and issuing a PCI retry to terminate this cycle.
- 2). When granted the PCI bus, the SiS Chip will run up to PCI I/O byte read/writes. The specific I/O addresses for each legacy DMA address are remappable. The purpose of these read/writes is to return/send the individual channel read/write information. DMA Slave devices must only respond to the slave address assigned to them and not any legacy DMA address.
- 3). At the end of the last read/write the SiS Chip will set an internal flag indicating completion and will drive its internal Request inactive (relinquishing the PCI bus) and wait for the retried PCI I/O read/write from the CPU bridge.



- 4). The PCI I/O read/write will be retried. If it was a read, the SiS Chip will return the data. If it was a write, the SiS Chip will simply terminate the cycle. Then the SiS Chip will reset the internal flag.

### 3.6.4 Interrupt Controller

The SiS Chip provides an ISA compatible interrupt controller that incorporates the functionality of two 82C59 interrupt controllers. The two controllers are cascaded so that 14 external and two internal interrupts are supported. The master interrupt controller provides IRQ<7:0> and the slave one provides IRQ<15:8>. The two internal interrupt are used for internal functions only and are not available externally. IRQ2 is used to cascade the two controllers together and IRQ0 is used as a system timer interrupt and is tied to interval Counter 0. The remaining 14 interrupt lines are available for external system interrupts.

Priority	Label	Controller	Typical Interrupt Source
1	IRQ0	1	Timer/Counter 0 Out
2	IRQ1	1	Keyboard
3-10	IRQ2	1	Interrupt from Controller 2
3	IRQ8#	2	Real Time Clock
4	IRQ9	2	Expansion bus pin B04
5	IRQ10	2	Expansion bus pin D03
6	IRQ11	2	Expansion bus pin D04
7	IRQ12	2	Expansion bus pin D05
8	IRQ13	2	Coprocessor Error Ferr#
9	IRQ14	2	Fixed Disk Drive Controller Expansion bus pin D07
10	IRQ15	2	Expansion bus pin D06
11	IRQ3	1	Serial port 2, Expansion Bus B25
12	IRQ4	1	Serial port 1, Expansion Bus B24
13	IRQ5	1	Parallel Port 2, Expansion Bus B23
14	IRQ6	1	Diskette Controller, Expansion Bus B22
15	IRQ7	1	Parallel Port1, Expansion Bus B21

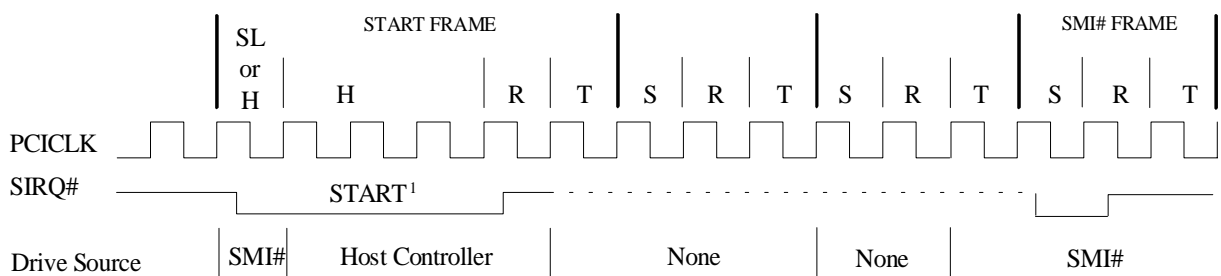
In addition to the ISA features, the ability to do interrupt sharing is included. Two registers located at 4D0h and 4D1h are defined to allow edge or level sense selection to be made on an individual channel by channel basis instead of on a complete bank of channels. Note that the default of IRQ0, IRQ1, IRQ2, IRQ8# and IRQ13 is edge sensitive, and can not be programmed. Also, each PCI Interrupt(INTx#) can be programmed independently to route to one of the eleven ISA compatible interrupts(IRQ<7:3>, IRQ<15:14>, and IRQ<12:9>) through PCI to ISA bridge configuration registers 41h to 44h.



**Serial IRQ**

The Serial IRQ provides a mechanism for communicating IRQ status between ISA legacy components, PCI components, and PCI system controllers. A serial interface is specified that provides a means for transferring IRQ and/or other information from one system component to a system host controller. A transfer, called an serial IRQ cycle, consists of three frame types: one Start Frame, several IRQ/Data Frames, and one Stop Frame. This protocol uses the PCI clock as its clock source and conforms to the PCI bus electrical specification.

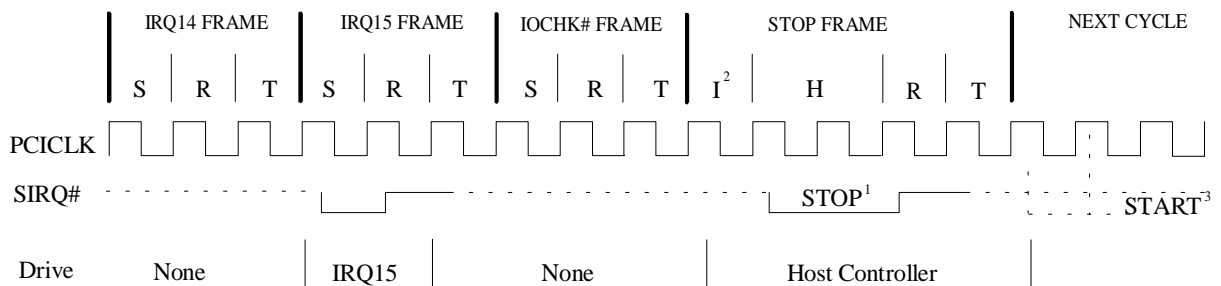
**Timing Diagrams For Serial IRQ Cycle.**



H=Host Control SL=Slave Control R=Recovery T=Turn-around S=Sample

1. Start Frame pulse can be 4-8 clocks wide.

**Figure 3-7 Start Frame timing with source sampled a low pulse on SMI#**



H=Host Control R=Recovery T=Turn-around S=Sample I=Idle

- 1. Stop pulse is 2 clocks wide for Quiet mode, 3 clocks wide for Continuous mode.
- 2. There may be none, one or more Idle states during the Stop Frame.
- 3. The next Serial IRQ cycle's Start Frame pulse may or may not start immediately after the turn-around clock of the Stop Frame.

**Figure 3-8 Stop Frame Timing with Host using 17 SIRQ# sampling period**

**Serial IRQ Cycle Control**

There are two modes of operations for the serial IRQ start frame.



- a) Quiet(Active) Mode: Any device may initiate a Start Frame by driving SIRQ# low for one clock, while SIRQ# is Idle. After driving low one clock the SIRQ# must immediately be tri-stated without at any time driving high. A Start Frame may not be initiated while the SIRQ# is Active. The SIRQ# is Idle between Stop and Start Frames. This mode of operation allows the SIRQ# to be Idle when there are no IRQ/Data transitions which should be most of the time.

Once a Start Frame has been initiated the SiS Chip will take over driving the SIRQ# low in the next clock and will continue driving the SIRQ# low for a programmable period of three to seven clocks more. This makes a total low pulse width of four to eight clocks. Finally, SiS Chip will drive the SIRQ# back high for one clock, then tri-state.

Any serial IRQ device which detects any transition on an SIRQ# line for which it is responsible must initiate a Start Frame in order to update the SiS Chip unless the SIRQ# is already in a serial IRQ cycle and the IRQ/Data transition can be delivered in the serial IRQ cycle.

- b) Continuous(Idle) Mode: Only the SiS Chip can initiate a Start Frame to update SIRQ# line information. All other serial IRQ agents become passive may not initiate a Start Frame. SIRQ# will be driven low for four to eight clocks by the SiS Chip . This mode has two functions. It can be used to stop or idle the SIRQ# or the SiS Chip can operate SIRQ# in a continuous mode by initiating a Start Frame at the end of every Stop Frame. A serial IRQ mode transition can only occurs during the Stop Frame. Upon reset, the Serial IRQ bus is default to Continuous mode, therefore only the SiS Chip can initiate the first Start Frame. Slave must continuously sample the Stop Frames pulse width to determine the next serial IRQ cycle's mode.

**IRQ/Data Frame**

Once a Start Frame has been initiated, all serial IRQ devices must detect for the rising edges of the Start pulse and start counting IRQ/Data Frames from there. There are three clock phases for each IRQ/Data Frame:Sample phase, Recovery Phase, and Turn-around phase. During the Sample phase the serial IRQ device must drive the SIRQ# low, if and only if, its last detected IRQ/Data value was low. If its detected IRQ/Data value is high, SIRQ# must be left tri-stated. During the Recovery phase , a serial IRQ device will drive SIRQ# back high if it has driven the SIRQ# low in the previous clock. During the Turn-around phase all serial IRQ devices must be tri-stated. All serial IRQ devices will drive SIRQ# low at the appropriate sample point regardless of which device initiated the sample activity, if its associated IRQ/Data line is low.

The Sample phase for each IRQ/Data follows the low to high transition of the Start Frame pulse by a number of clocks equal to the IRQ/Data Frame times three, minus one.(e.g. the IRQ5 sample clock is the sixth IRQ/Data frame, (6x3)-1=17th clock after the rising edge of the Start Pulse).

Serial IRQ Sampling Periods		
IRQ/Data Frame	Signal Sampled	# of clocks past Start



Serial IRQ Sampling Periods		
IRQ/Data Frame	Signal Sampled	# of clocks past Start
2:1	Reserved	2
3	SMI#	8
4	IRQ3	11
5	IRQ4	14
6	IRQ5	17
7	IRQ6	20
8	IRQ7	23
9	IRQ8#	26
10	IRQ9	29
11	IRQ10	32
12	IRQ11	35
13	IRQ12	38
14	IRQ13	41
15	IRQ14	44
16	IRQ15	47
17	IOCHCK#	50
21:18	Reserved	53
32:22	Unassigned	95

At the end of each Sample phase, the SiS Chip will sample the state the SIRQ# line and replicate the status the original IRQ/Data line at the input to the 8259s Interrupt Controller.

### **Stop Cycle Control**

Once all IRQ/Data frames have completed, the SiS Chip will terminate SIRQ# activity by driving Stop cycle. Only the SiS Chip can initiate the stop frame. A Stop Frame is indicated by the SiS Chip driving SIRQ# low for two clocks(Quiet Mode) or 3 clocks(Continuous Mode), then back high for one clock. In the Quiet mode, any serial IRQ device may initiate a Start frame in the third clock or more after the rising edge of the Stop frame pulse. In the Continuous mode, only the SiS Chip may initiate a Start frame in the third clock or more after the rising edge of the Stop frame pulse.

### **EOI/ISR Latency**

When a legacy interrupt is deasserted, it will start a serial interrupt frame. An EOI can occur after the legacy interrupt is deasserted, however, the 8259 may not detect the deasserted interrupt because it is still being serialized. This could cause the 8259 to generate interrupt as soon as the EOI is received. By delaying EOIs and ISR read to the 8259 in order to ensure that these latency issues are well covered. Note that, EOI indicates the End of Interrupt and ISR indicates the Interrupt Service Routine.

### **3.6.5 Timer/Counter**

The SiS Chip contains 3 channel counter/timer that is equivalent to those found in the 82C54 programmable interval timer. The counters use a division of 14.318MHz OSC input as the

clock source. The outputs of the timers are directed to key system functions. Counter 0 is connected to the interrupt controller IRQ0 and provides a system timer interrupt for a time-of-day, diskette time-out, or the other system timing function. Counter 1 generates a refresh-request signal and Counter 2 generates the tone for the speaker.

### 3.6.6 Integrated Real Time Clock (RTC)

#### Real Time Clock Module

The Real Time Clock module in the SiS Chip contain the industrial standard Real Time Clock which is compatible to MC146818, and the Auto Power Control circuitry mainly to support the ACPI power control functions. The Real Time Clock part provides a time-of-day clock with alarm and one hundred year calendar, a programmable periodic interrupt, 114 Bytes of standard CMOS SRAM, and 128 Bytes of extended CMOS SRAM. The Auto Power Control part provides the software/hardware power up/down functions. Figure 3-9 shows the block diagram of the RTC module.

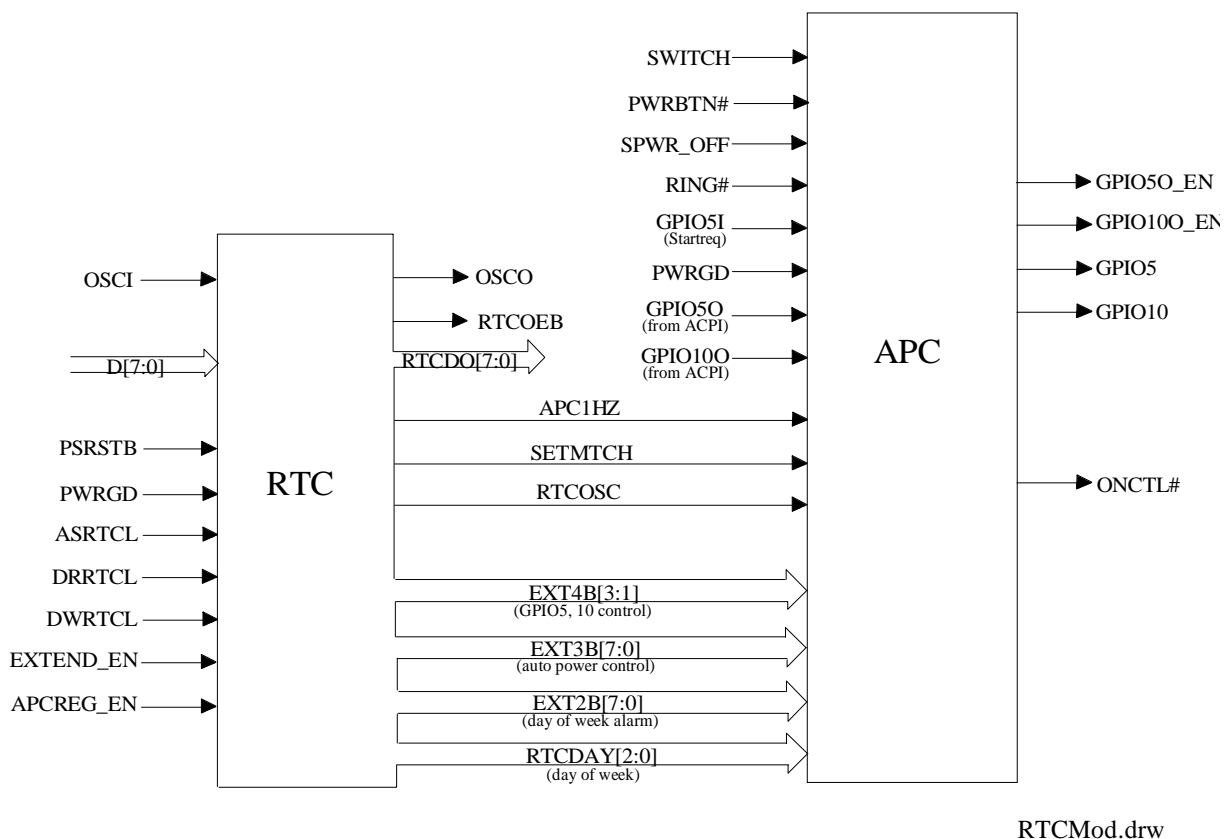
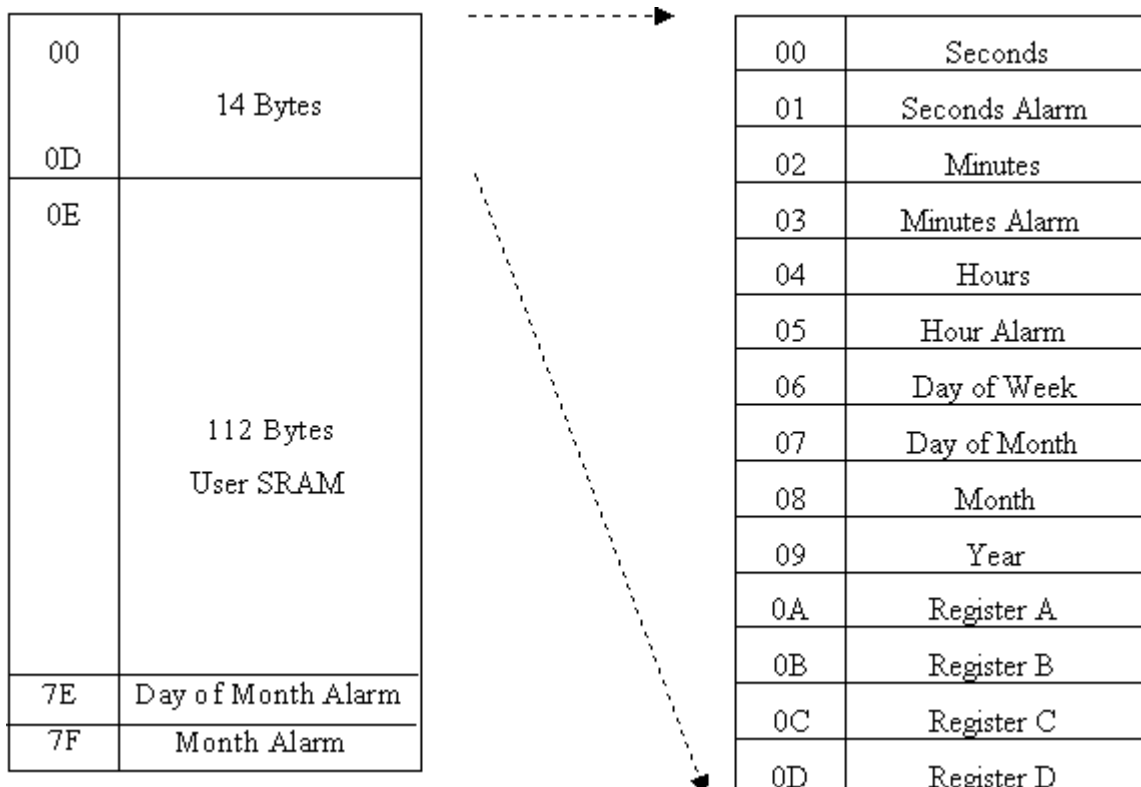


Figure 3-9 RTC module Block Diagram



## RTC Registers & RAM

Three separate RTC registers & RAMs are provided in the SiS Chip. One is called the Standard Bank, another is the Extended Bank, and the other is the APC (Auto Power Control) registers. All of these registers are referenced through the same index, and data port, ie. port 70H and 71H, respectively. The access control with which that the three portions of registers are appropriately addressed are stored in PCI-ISA:45h[3] (EXTEND\_EN bit) and PCI-ISA:44h[4] (APCREG\_EN bit). EXTEND\_EN bit enables the access of the Standard Bank while it is 0. The EXTEND\_EN bit must be programmed to 1 to read/write the Extended Bank. The APCREG\_EN bit toggle the 70H/71H access between the RTC registers and APC registers. The 70H/71H port will access the RTC Standard/Extended Bank if APCREG\_EN bit is 0. The 70H/71H port will access the APC register if APCREG\_EN bit is 1. Figure 3-10 shows the address map of the Standard Bank. In the Standard Bank, the lower 10 bytes contain the time, calendar, and alarm data. The registers Ah, Bh, Ch, and Dh contain the control and status bytes. The last two bytes (7Eh, 7Fh) are the Day of Month Alarm byte and the Month Alarm byte which are the extended alarm features requested by the ACPI. The Day of the Month Alarm selects the day within the month to generate a RTC alarm while the Month Alarm selects the month within the year to generate a RTC alarm. The remain 112 bytes in the Standard Bank are the general purpose RAM bytes. In the Extended Bank, another 128 bytes are also provided for the general purpose usage.



**Figure 3-10 Address Map of the Standard Bank**

The APC registers are provided to support the Auto Power Control Function. The register 02H defines the “Day of the Week” Alarm byte which can select the day within a week to generate a RTC alarm. The 03H, 04H registers contain the control information for the auto power control functions. Figure 3-11 shows the address map of the APC registers.





Address	Register Name
00h	Reserved
01h	Reserved
02h	Day of Week Alarm
03h	Auto Power Control Register I
04h	Auto Power Control Register II

Figure 3-11 Address Map of the APC Control Register

### RTC Update Cycle

The primary function of the the update cycle is to increment the seconds bytes, the minutes bytes and so forth through to the year of the century byte. The update cycle also compares each alarm byte in the corresponding time byte and issues an alarm if a match or if a “Don’t care” code(11XXXXXX) is present in this time byte. Figure 3-12 shows the block diagram of the RTC.

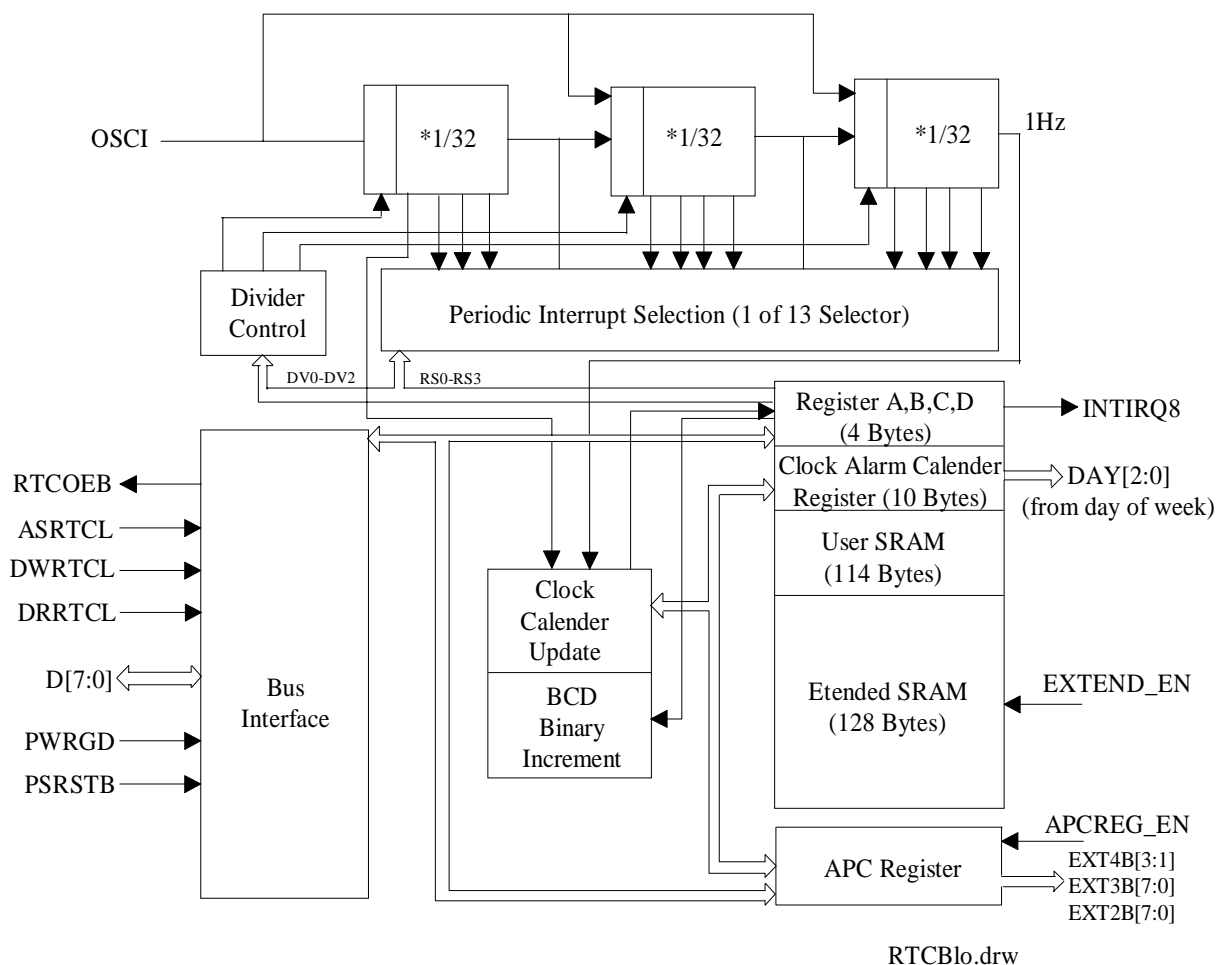


Figure 3-12 Block Diagram of RTC



### **RTC External Connection Requirement**

The SiS Chip's RTC is powered by the RTCVDD, & RTCVSS. In reality, not only the internal circuitry of the RTC, the pins associated with the RTC module are also powered by the specific power planes. They are ONCTL#, PWRGD, PSRSTB#, SWITCH, PWRBT#, RING, OSCI, OSCO, GPIO5, and GPIO10.

SiS Chip is designed to support the 3V output with 5V input tolerant I/O buffers. The 5V tolerant capability is achieved by two 5V power pins(VCC5) sustaining the I/O associated well. The two pins must be connected to VCC5 if 5V input tolerance is required. The Ball NO. of these two pins are AF15, AB2 in SiS5597 and D15, H2 in SiS5598.

Please note that the RTC-related ten pins have no 5V tolerance since the associated well for the RTC is powered by the RTCVDD. The voltage level of RTCVDD is not allowed to be higher than 3.3V since SiS Chip employs the 3.3V process. Thus, **DO NOT POWER THE RTCVDD HIGHER THAN 3.3V**. Please ensure the ten pins related to the RTC follows this requirement. For instance, a voltage divider is required to clamp the PWRGD from the power supply to around 3.3V. These ten pins are : ONCTL#, RING, PWRGD, PSRSTB#, OSCI, OSCO, SWITCH, PWRBT#, GPIO5, GPIO10.

SiS Chip contains 3 wells if categorized by the driving power:

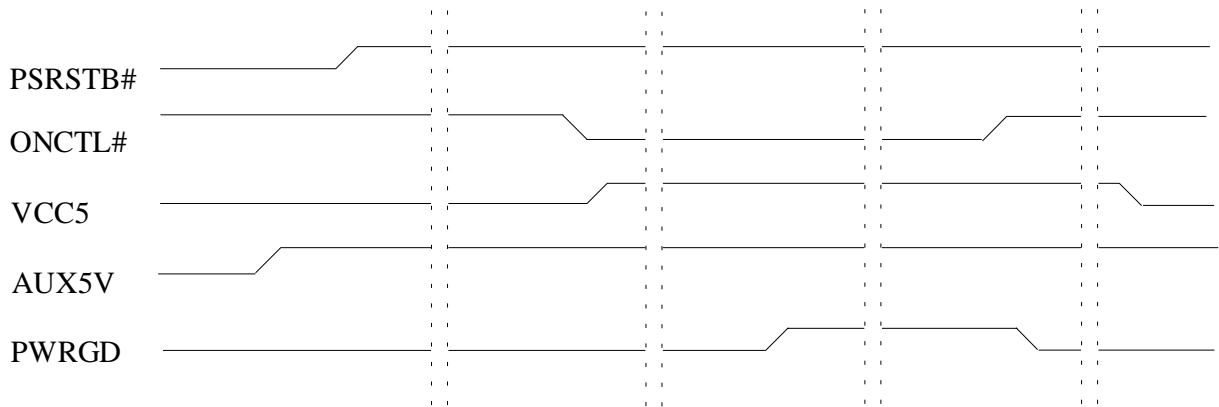
- 1) the internal circuitry excluding the RTC (powered by 3.3V OVDD)
- 2) the RTC(powered by RTCVDD), and
- 3) the I/O buffers(powered by 5V VCC5).

### **3.6.7 Auto Power Controller**

An ATX power supply and the integrated RTC are needed at the same time to make the Auto Power Control function work. ATX power supply has a control signal ONCTL# and two set of VCC named VCC5 and AUX5V. When power is applied, then AUX5V exists but VCC5 does not until ONCTL# goes low. APC controls the signal ONCTL# to turn on or turn off VCC5 of ATX power supply.

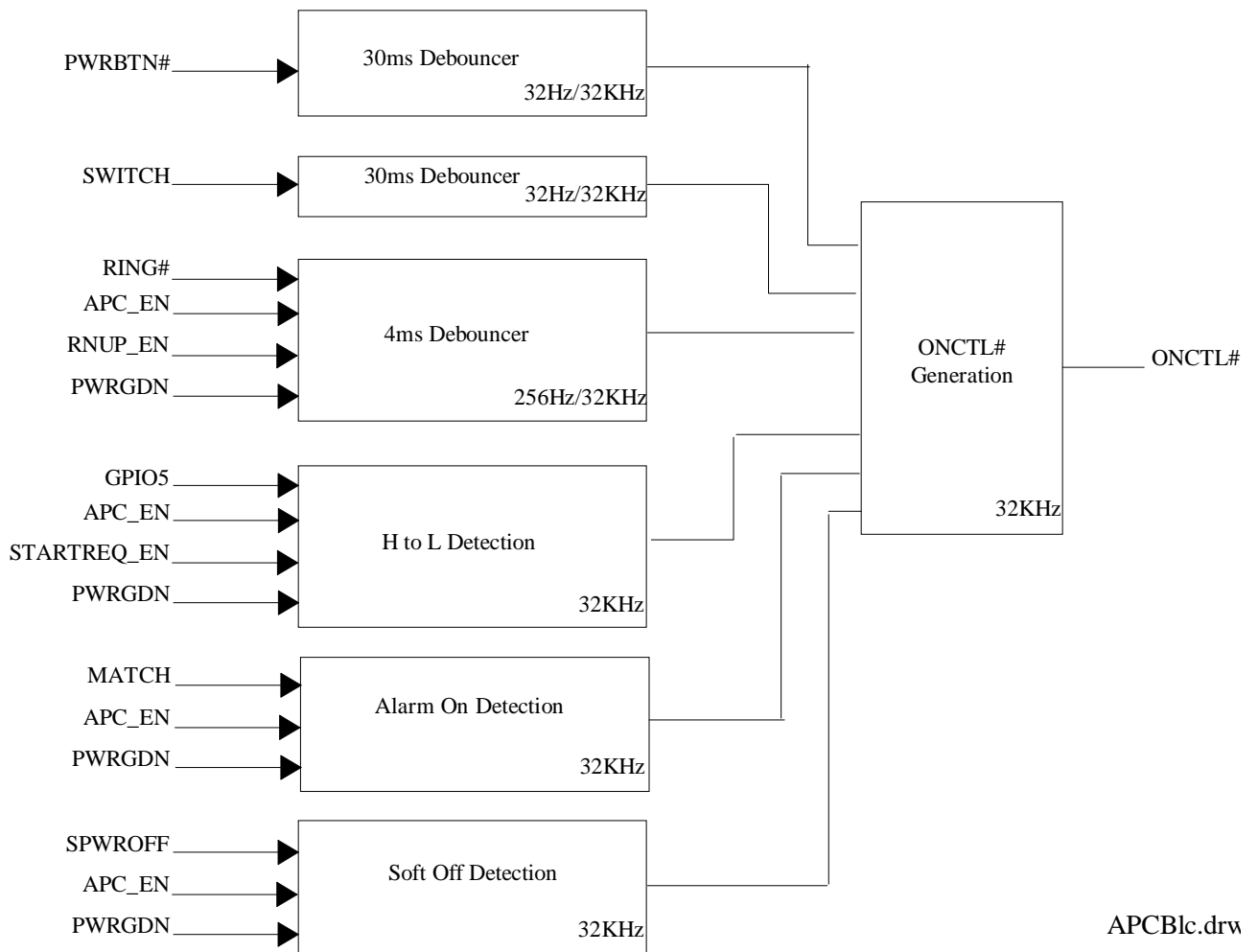
#### **Auto Power Control**

Let us take the following power up/down sequence as an example to illustrate the APC functions. Please also refer to Figure 3-13 showing the typical timing sequence of the power control related pins. Also, Figure 3-14 outlines the main APC functions.



TimSeq.drw

**Figure 3-13 Typical Timing Sequence on the Power Control Related Signals**



APCBlc.drw

**Figure 3-14 APC Block Diagram**

(1) The PSRSTB# is used to determine whether the system is using internal RTC(PSRSTB# is high) or external RTC(PSRSTB# is low).The ONCTL# is set to high as long as the PSRSTB# is low. When the PSRSTB# is high and the power up events are asserted, the ONCTL# will control ATX power supply which can provide VCC5 for the motherboard.



Since the RTC must continue to count the time when the system power is removed, a conversion from the system power to an alternate power supply, usually a battery must be made. In a system powered by the ATX power supply, it is recommended to design the power conversion circuitry powered by both the AUX5V and battery. Please refer to “Application Circuit” for more details. In terms of this application, the PSRSTB# is low only when both the battery and the AUX5V is low. That is, PSRSTB# is low when the battery happened to be exhausted and the power supply is not plugged yet. Most of the cases in the application, the PSRSTB# is first restored to high by AUX5V from ATX power supply. As long as the PSRSTB# is high, the power up events can be recognized and results in the assertion of the ONCTL# to have the ATX power supply provide VCC5 for the system. It is now obvious why the conversion circuitry should use the AUX5V or battery for the power source. This ensures that the APC circuit block can have power to work and can sense the “Power Up” Request Events to wake up PC board’s power from ATX power supply. In other words, RTC and APC controller must be powered by AUX5V/battery through RTCVDD, and PSRSTB# signal must be high, so that Power Up Request Events can wake up system power.

(2) During the power down period, the following events can power up the PC main board by the assertion of ONCTL#. They are Switch On event (via SWITCH), Power Button On event (via PWRBT#), Ring Up event (via RING), Start Request event (via GPIO5), and Alarm On event (via IRQ8#). Following is the detail description of these events:

1. Switch On Event:

A schmitt trigger input buffer and a debounce protection of at least 30ms is associated with the SWITCH pin. When PWRGD is low, an active low on the SWITCH lasting for more than 30ms indicates a request from Switch On Request event, then the ONCTL# signal will be activated to low in order to power on the VCC5 of ATX power supply.

2. Power Button On Event:

In addition to SWITCH, SiS Chip provides another power button control pin which is PWRBT#. While PWRGD is low, a high to low transition with the active low logic lasting for more than 30ms indicates the Power On Request Event which eventually activates the ONCTL#. While PWRGD is high, the assertion of PWRBT# less than 4 seconds results in a SCI/SMI event, and the assertion of PWRBT# more than 4 seconds will turn off the system. The ACPI module will take the appropriate action.

3. Ring Up Event:

The function is enabled by setting APC\_EN bit and RNUP\_EN bit which are located in the bit 6 and bit 5 of the Auto Power Control Register I. Also, the active high/low logic of the RING can be programmed through bit 4 of this register. In reality, while PWRGD is low, the detection of RING pulse lasting for more than 4ms would activate the ONCTL#. While PWRGD is high, the detection of RING pulse would wake up the Legacy PMU or ACPI to put the system back to the higher activity mode. Please refer to ACPI section for more detail on this aspect.

4. Start Request Event (GPIO5 Event):

While the power is removed, a high to low transition on the GPIO5 also indicates a power up request event which activates ONCTL#. Note that no debouncer is associated with this



signal. This function is enabled by setting APC\_EN bit, and STARTREQ\_EN bit which are registered in the bit 6, and bit 3 of Auto Power Control Register I, respectively.

#### 5. Alarm On Event:

When the time value of RTC matches the corresponding time bytes which were set in advance, the RTC would send an “alarm” to the APC module to activate the ONCTL#. The SiS Chip supports the 24 hour alarm to a month alarm. Beside the ACPI Extended Alarm function, SiS chip also supplies an additional alarm function called the “Day of Week Alarm”. Following are the detail description of these two alarm functions:

- (a) **ACPI Extended Alarm Function:** The ACPI Extended Alarm Function can set the alarm by the day within a month or the month within a year. The Day of the Month and the Month Alarms bytes are stored in the register 7Eh and 7Fh of RTC Standard Bank. To enable this function the APC\_EN bit in APC Register I must be enabled.
- (b) **Day of Month Alarm Function:** The Day of Month Alarm Function can set the alarm by the day within a week. With this additional feature, the SiS Chip allows the system to be alarmed up on, say, each Monday 08:00. The Day of the Week Alarm byte is located in the register 2h of the APC registers. Note that this feature is enabled when DayWeekAlarm\_EN bit located in the bit 0 of the Day of the Week Alarm Register, and the APC\_EN bit are both set. ACPI extended alarm function is the default alarm mode once the APC\_EN bit is set. However, the ACPI extended alarm mode is replaced by the Day of the Week alarm mode once the DayWeekAlarm\_EN bit is set.

(3) While in the power up state, the following events can power down the PC main board by the deassertion of ONCTL#. They are Switch Off event (via SWITCH), Software Power Off Request Event (via register bit of SiS Chip), and Power-Button-Over-Ride (via PWRBT#). Following is the detail description of these events:

#### 1. Switch Off Event:

A schmitt trigger input buffer and a debounce protection of at least 30ms is associated with the SWITCH pin. When PWRGD is high, an active low pulse on the SWITCH signal for more than 30ms indicates a request from Switch Off Request Event, then the ONCTL# will be deasserted to high in order to power off the VCC5 of ATX power supply. An Switch on Request event asserts the ONCTL# while An Switch off request event deasserts ONCTL#.

#### 2. Software Power Off Request Event:

SiS Chip also provide two software means to control the ONCTL# signal. One is to programming a “1” to SLP\_EN bit (ACPI:04h[6]) and “100” (S5 state) to SLP\_TYP bit (ACPI:04h[4:2]), the other is to program a “1” to APC\_EN bit (APC: I[6]) and Power Off System Control bit (PCI-ISA:69h[4]). System will be powered off if any of these two settings was set. In other words, ONCTL# will be deasserted to high.

#### 3. Power-Button-Over-Ride Event:

If push the Power Button over 4 seconds, a Power-Button-Over-Ride event happened. The SiS chip will deassert the ONCTL# if Power-Button-Over-Ride event happened, and turn off the system power eventually. Please note that this is a hardware implemented function, and do not need the special support from the BIOS.



(4) SiS chip supplies a special pin, GPIO10/ACPILED, to facilitate the Green PC denoted-LED design. If this pin is in its output mode (APC II[3] = 0), and pin definition is ACPILED (APC II[1] = 1), and 1 Hz Function Support is enabled (APC II[0] = 1), and ACPI function is enabled (PCI to ISA:40h[7] = 1), then SiS chip will send out an 1 Hz signal on this pin to turn on/off the external LED whenever GPIO10 pin status register (ACPI:18h[10]) is set to 1.

### 3.6.8 Advanced Configuration and Power Interface (ACPI)

Advanced Configuration and Power Interface (ACPI) is PC 97 specification. ACPI extends the portability for different platforms by moving the power management function into the OS. ACPI also releases the restriction of ROM BIOS capacity on the complexity of the advanced power management functions. The power management events of ACPI are initiated by the assertion of System Control Interrupt (SCI). System uses SCI to send ACPI-relevant notifications to the host OS, and then OS executes the specific service sub-routines according to which enable bit and status bit were set.

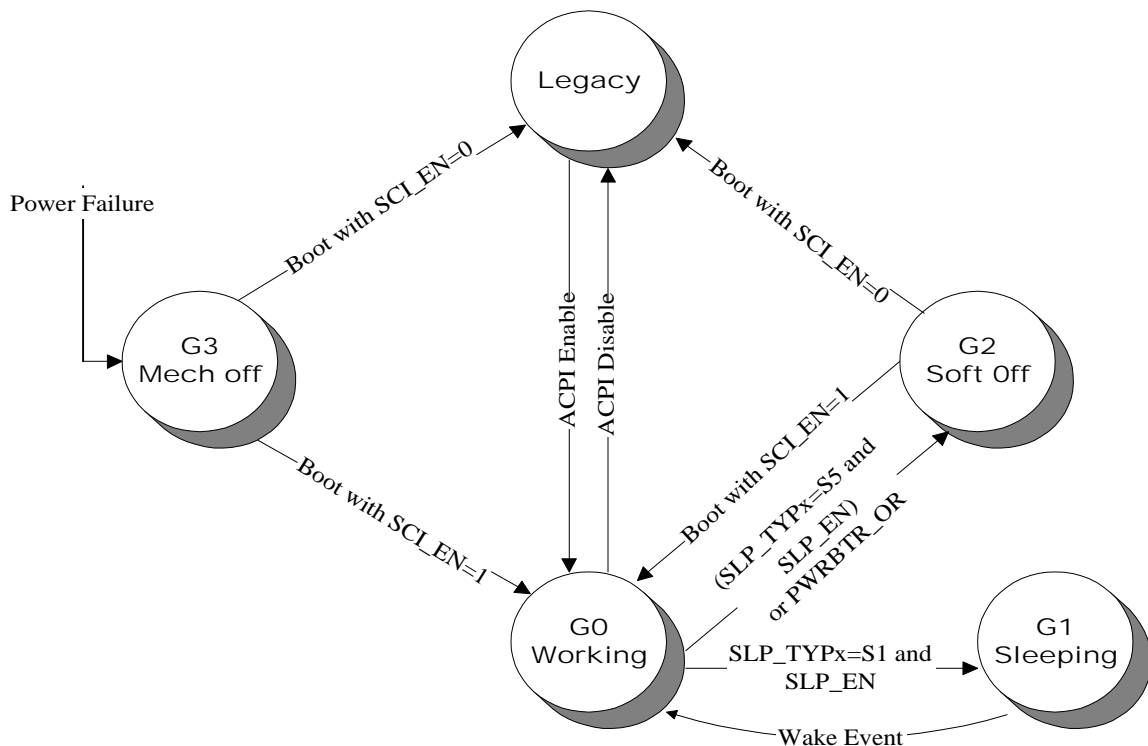
The ACPI architecture in SiS chip consists of the control logic, the SCI/SMI# generating logic, the wake up logic, and the configuration registers to ensure fluent communication with the ACPI-compliant OS. The control logic is used by OS to alternate some state transitions. The SCI/SMI# generating logic sensing the external environmental change or request is used to notify the OS to take some actions. The wakeup logic will sequence the system from the sleeping state (S1) to the G0 working state. Following table summaries the ACPI configuration space supported by SiS chip:

Name	Address	Register Description
PM1a_STS	00h	Power Management 1a Status Register
PM1b_STS	01h	Power Management 1b Status Register
PM1a_EN	02h	Power Management 1a Enable Register
PM1b_EN	03h	Power Management 1b Enable Register
PM1a_CNT	04h	Power Management 1a Control Register
PM1b_CNT	05h	Power Management 1b Control Register
PM_TMR	08h	Power Management Timer
P_CNT	0Ch	Processor Control
P_LVL2	10h	Processor LVL2 Register
P_LVL3	11h	Processor LVL3 register
PM2_CNT	12h	Power Management 2 Control
GP_TMR	13h	General Purpose Timer Register
GPIO_STS1	14h	Status register 1 for general purpose I/O pins
GPIO_STS2	15h	Status register 2 for general purpose I/O pins
GPIO_EN1	16h	Enable register 1 for general purpose I/O pins
GPIO_EN2	17h	Enable register 2 for general purpose I/O pins
GPIO_CNT1	18h	Control/Read back status register 1 for general purpose I/O pins
GPIO_CNT2	19h	Control/Read back status register 1 for general purpose I/O pins
GPIO_SEL1	1Ah	Input/Output Selection register 1 for general purpose I/O pins
GPIO_SEL2	1Bh	Input/Output Selection register 2 for general purpose I/O pins
GPIO_MUX1	1Ch	GPIO Mux. function selection register 1
GPIO_MUX2	1Dh	GPIO Mux function selection register 2
GPIO_LVL1	1Eh	Polarity selection register 1 for general purpose I/O pins

GPIO_LVL2	1Fh	Polarity selection register 2 for general purpose I/O pins
SMI_CMD	20h	SMI command port
MUX_REG	24h	Mux. function selection register
AUX_STS	25h	Auxiliary Control Status register
AUX_EN	26h	Auxiliary Control Enable register
SMI_PEN	28h	Programmable SMI command port enable value
SMI_PDIS	29h	Programmable SMI command port disable value
SMI_REG	2Ah	Scratch register for SMI or ACPI use
ACPI_TST	2Bh	APCI test mode register

### Control Logic

From ACPI specification, SiS chip supports the four global system states (G0-G3), and the traditional Legacy system state as it is shown in the *Figure 3-15*. The ACPI-compliant OS assumes the responsibility of sequencing the platform between these various global states. The ACPI-compliant OS is invoked by the shareable interrupt to which SCI is routed. The reroutability of SCI is through the programming of register 6Ah of the PCI to ISA configuration space. Transition of Legacy to/from ACPI is through issuing ACPI activate/deactivate command to the SMI handler by doing OUT to the SMI\_CMD port with the data equal to the value defined in SMI\_PEN, or SMI\_PDIS registers, respectively.



**Figure 3-15 Global System State Diagram**

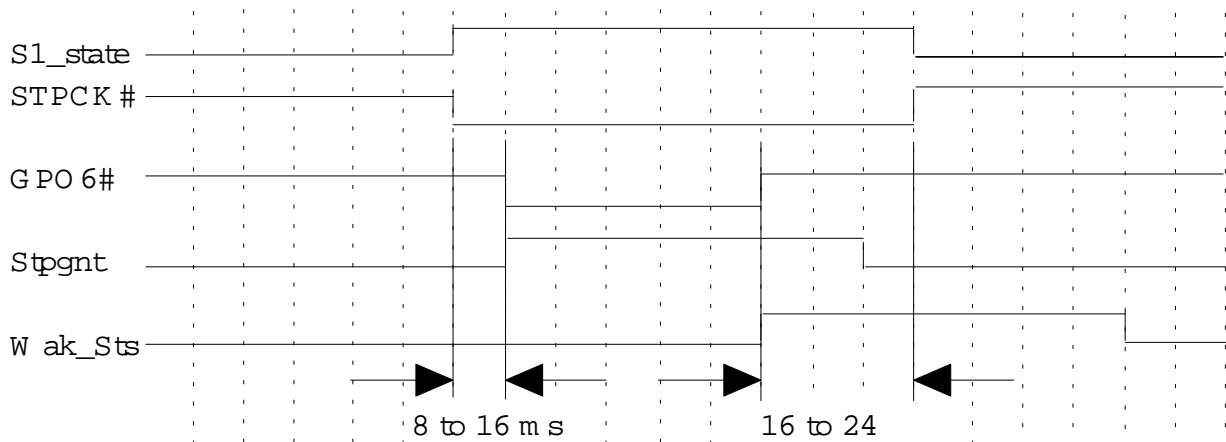
ACPI machine would stay at G0 working state as the normal operating state in which different devices are dynamically transiting between the respective power states, and processors are dynamically transiting between their respective states (C0,C1,C2,C3). In the



G0 state, two global state transition options are provided. One is the G1 sleeping state, and the other is the G2 soft-off state. SiS chip only supports two level of system sleeping states which are S1, and S5. In reality, the system G1 sleeping state only consists of one level ( S1 only ) of hierarchy in the sense of sleeping states. The OS can initiate the sleeping transition by programming the SLP\_TYPx field with S1 value and then setting SLP\_ENx bit high. While in the G1 state, a set of Wake\_Up Events(explained in the Wakeup logic) can be enabled to transit the system state back to G0. The G2 soft-off state is an OS initiated system shutdown. The State can be initiated by programming the SLP\_TYPx field with S5 value and setting the SLP\_ENx bit high. Also, a hardware event which is driven by pressing the power button for more than four seconds can transit the system to the G2 state while it is in the G0 state. This hardware event is called a power button over-ride, and is mainly provided to turn off a hung system in case. Putting system in the G2 state will deassert ONCTL# eventually from hardware point of view.

### G1 Sleeping System State --- S1

Transit to S1 state is by setting SLP\_EN bit HIGH. All system power is still alive in this state. The external CPU clock can be disabled(or stopped) through GPO6. A set of Wake\_UP Events can be enabled, before entering S1, to wake up the system back to G0 state. *Figure 3-16* is the typical sequence responding to enter S1 state. Details of the Wake\_UP Events is illustrated in the Wakeup Logic.



1. Programming SLP\_EN in SMI or SCI would put the PC in the system power state S1.  
Note : STPCLK# won't be activated until the SMIACT# is deasserted. That is, the STPCLK# is activated once the CPU exits the SMI handler.
2. Reserve 8 to 16ms for the emulation of Stpgnt latency.
3. While in the Stpgnt state, the wake up events would deassert GPO6.
4. Reserve 16 to 24ms from the exiting of Stpgnt to the deassertion of STPCLK#.
5. Wak\_Sts could be cleared by writing a 1 to bit 15 of the base+0 register.

**Figure 3-16 Typical GPO6 Timing**

### G2 Soft-off State:

In the G2 state, only the RTC power is alive. While in the G2 state, the SiS chip could sense the following five power up events to transit the system to the Legacy system state by asserting the ONCTL#. They are Alarm On event, Power On(PWRBTN#) event, Ring Up





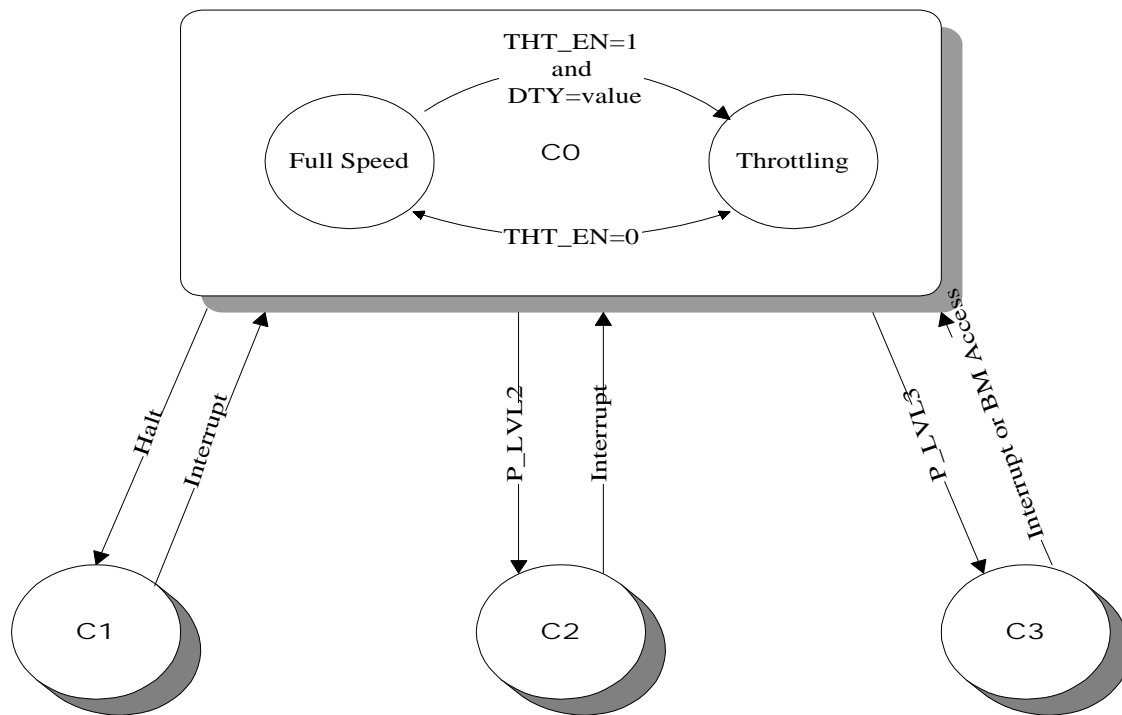
event, Start Request event(GPIO5), and the Switch On/Off event(SWITCH). Please see the APC portion of the RTC module for more details.

### Processor Power State Control

SiS chip supports the four power states in the G0 working state. While in the C0 state, it provides programmable Throttling function to place the processor executing at a designated performance level relative to its max. performance. This can be achieved by programming the THTL\_DUTY field (ACPI:0Ch[3:1]) with desired value, and setting THT\_EN bit (ACPI:0Ch[4]) HIGH. The C1 state is supported through the HLT instruction. As an instance, the execution of a HALT instruction will cause the Pentium CPU to automatically enter the Auto HALT Power down state where Icc of the processor will be -20% of the Icc in the Normal state. In this state, the CPU will transit to the Normal state upon the occurrence of INTR, NMI, SMI#, RESET, or INIT. The Pentium won't recognize AHOLD, BOFF#, and EADS# for cache invalidation or writebacks. That is, the system is no longer able to allow bus master snooping, or memory access. As such, C2 low power state provides an alternative not to block bus master streaming while the CPU is put into the low power state.

In the C2 power state, SiS chip places the processor into the low power state by keeping STPCLK# low as long as no interrupt requests occur. Entering C2 state is through reading P\_LVL2 register (ACPI:10h) as it is defined in the ACPI specification. Exiting C2 is effective when Wakeup1 is asserted (Wakeup1 is an internal signal, and will be asserted when any of the enabled interrupt(IRQ15-3, IRQ1,and NMI),GPCS0, or the GPCS1 is asserted.). Register 74, and 75 in the PCI to ISA configuration space defines which interrupt requests among the IRQ15-3,1, and NMI. are considered(or enabled) to generate Wakeup1. Bit 1 of register 63h, and bit 1 of register 64h enables/disables GPCS0, and GPCS1, respectively to be included in the generation of Wakeup1. The IRQ0 interrupt request is also allowed, if IRQ0SEN (ACPI:0Ch[6]) is set, to deassert STPCLK# for about 128us when in C2 or C3 state to refresh the system timer.

As a more rigid or flexible alternative to the handling of bus master in the CPU low power state, SiS chip supports the C3 power state by also keeping STPCLK# low, which can be entered by reading P\_LVL3 register (ACPI:11h). The main difference between C3 and C2 state is that the bus masters are preventing from writing into the memory in the C3 state. This is, prior to entering the C3 state, done by setting the ARB\_DIS bit (ACPI:12h[0]) HIGH which disables the system arbiter. Upon a bus master requesting an access, the CPU will awaken from C3 state if the BM\_RLD bit (ACPI: 05h[1])is set, and re-enable bus master accesses by clearing the ARB\_DIS to enable the system arbiter. If the BM\_RLD bit is not set, the C3 power state is not exited upon bus master requests. From hardware point of view, in the C3 state, to serve bus master requests, it is needed to transit the CPU back to C0 state by deasserting STPCLK# while it is not needed for C2 state. Any interrupt(Wakeup1) will also bring the processor out of C3 power state. Specifically, SiS chip will bring the processor out of C2 or C3 state once G1 sleeping state is entered. Because, CPU processor state is only meaningful in the G0 Working state. To provide a running history for the ACPI driver to determine CPU power state policy, one last information BM\_STS (ACPI: 01h[4]) is provided. The BM\_STS is set whenever any bus master request (REQ# ) is asserted. *Figure 3-17* illustrates the processor power state diagrams supported by SiS chip.



**Figure 3-17 Processor Power State Diagram**

### SCI/SMI# Generation Logic

The SCI generation logic mainly issues the SCI interrupt to invoke the SCI interrupt handler to respond to the power management events. These power management events, instead of initiating SCI, will issue SMI# if the system works in Legacy mode with SCI\_EN being 0. As a summary, the following events can raise SCI or SMI#, and can also be enabled as the wakeup events while in the G1 state.

- 1) Power management timer event,
- 2) Power button event,
- 3) Real time clock alarm event,
- 4) Ring event,
- 5) Hotkey event(or EXTSMI#),
- 6) General purpose timer event,
- 7) USB request event,
- 8) General purpose I/O events(GPIO0, GPIO1,GPIO2,GPIO5/STARTREQ,GPIO7, GPIO8,GPIO9/THRM,and GPIO10).

One specific event which is BIOS\_SCI event only generates SCI. The BIOS\_SCI event is provided to allow the BIOS to invoke SCI handler for some specific application. By writing a 1 to BIOS\_RLS locating in the bit 10 of GPIO\_MUX1, the GBL\_STS status bit is set. The SCI will then be generated if GBL\_EN bit (ACPI: 03h[5]) is set.

There are also five events that only generate SMI#. The generation of SMI# through these events is independent to the status of SCI\_EN bit.

- 1) ACPI enable event,
- 2) ACPI disable event,
- 3) Serial IRQ event,
- 4) Periodic SMI event, and
- 5) ACPI\_SMI event

While working in the Legacy system state, the events provided in the legacy PMU block are also the sources of generating SMI# as a backward compatibility. Therefore, the users can choose ACPI or Legacy PMU on their own need. Please refer to Figure 3-18 for more information.

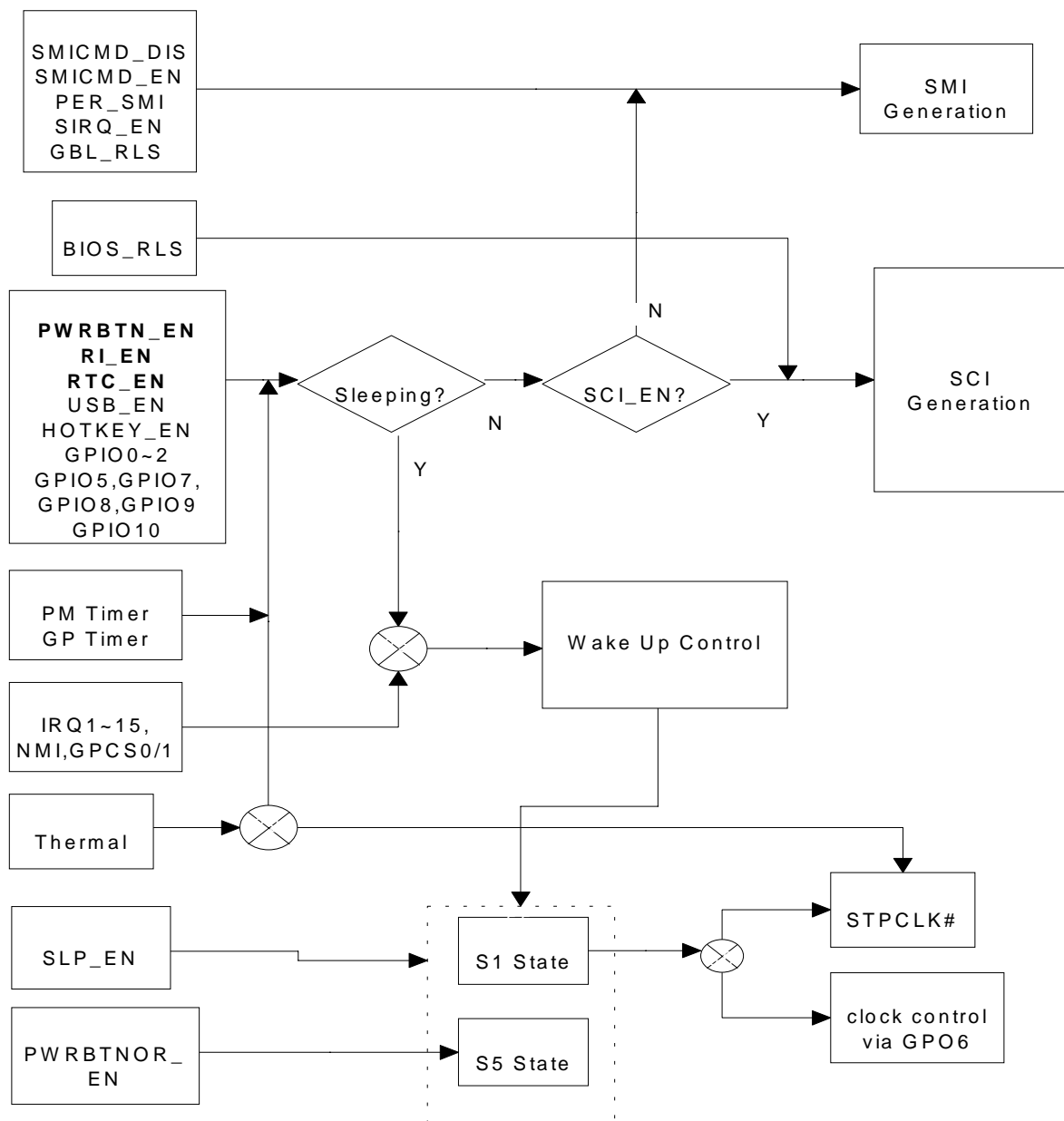


Figure 3-18 ACPI working mechanism overview



The following paragraphs describe some power management events:

### **Power management timer**

The ACPI specification requires a power management timer (PM timer) which provides OS an accurate time value to monitor the system idle time. For instance, if CPU idle time is longer than the threshold value, OS may let CPU enter power saving state like C1, C2, C3. The PM timer is a 24-bit fixed rate free running count-up timer that runs off a 3.578545 Mhz clock in the SiS chipset. The status bit TMR\_STS (ACPI:00h[0]) is set when the most significant bit of the timer (bit 23) is changed from "1" to "0" or from "0" to "1". If the enable bit TMR\_EN (ACPI:02h[0]) is set, then the setting of TMR\_STS will raise an ACPI event. The current value of the timer can also be accessed by reading TMR\_VAL register (ACPI:09h-0Bh). The timer will be cleared as long as the system stays at S1 sleeping state. Please refer to the Figure 3-19 Power management Timer Flow Chart for the power management timer event flow chart.

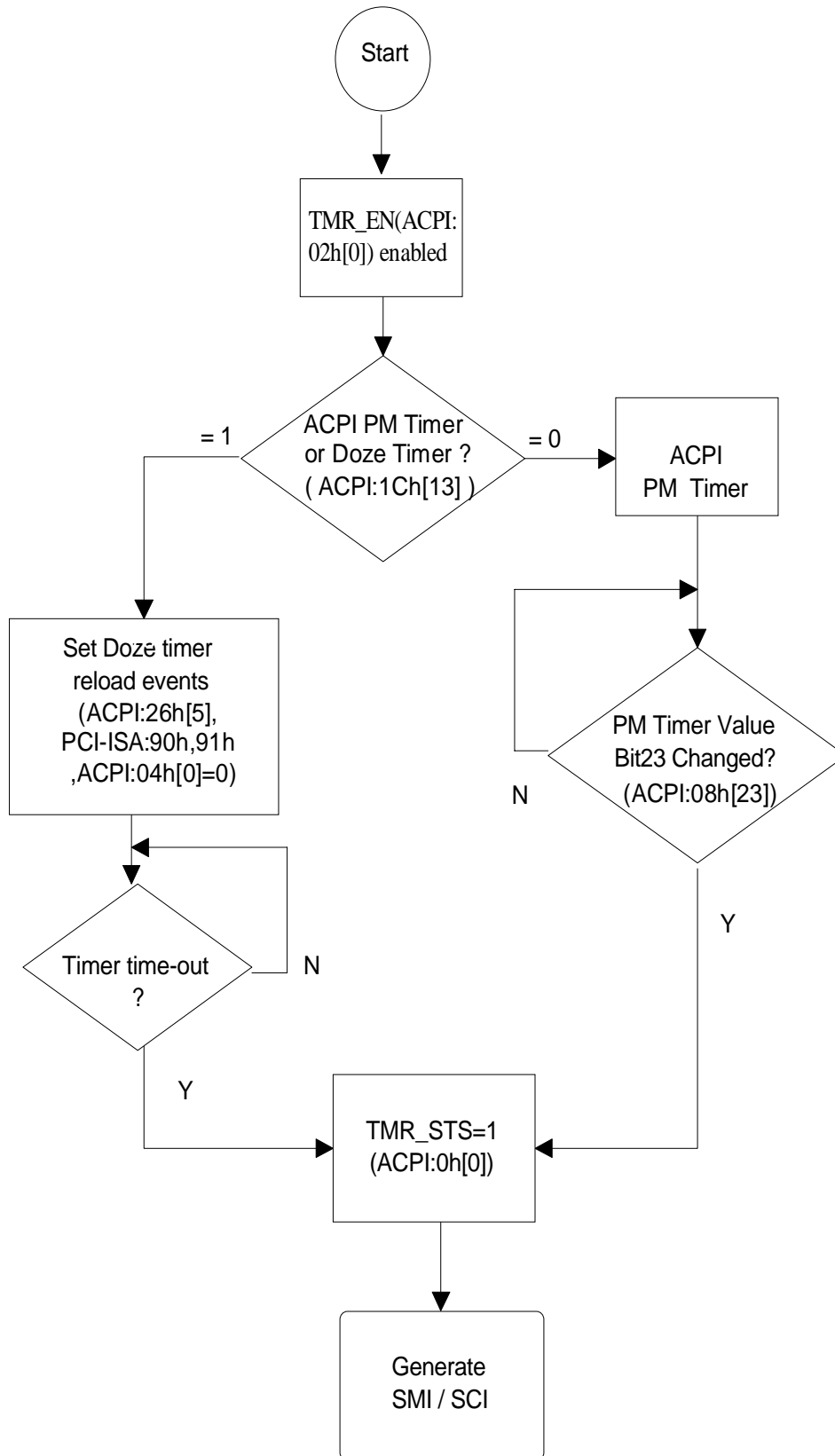
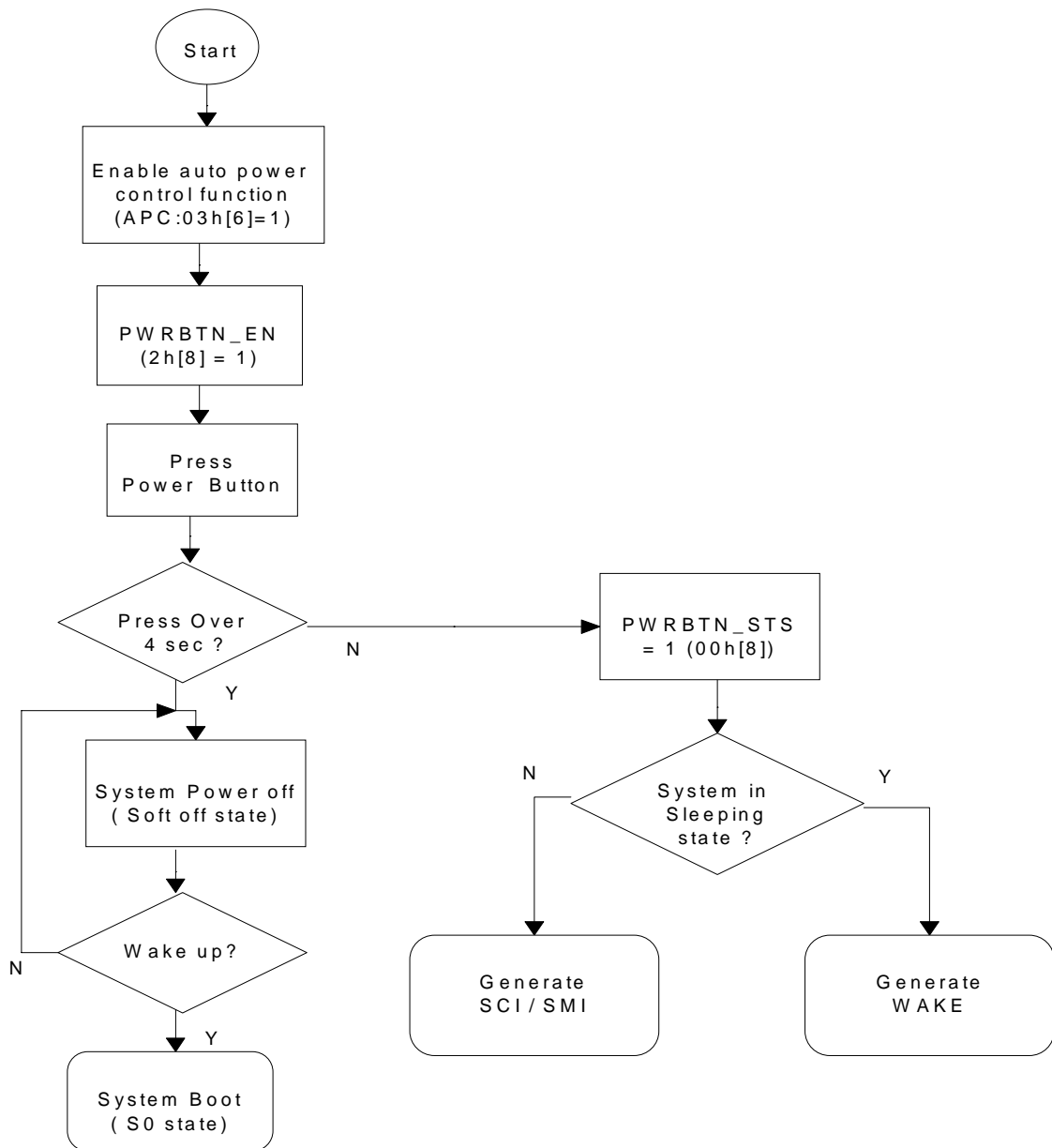


Figure 3-19 Power management Timer Flow Chart

**Power Button switch**

This switch is an user interface control instead of the traditional power supplier switch. It can be used to cycle the system between the G0 and G1 states through the power management event. Besides, the power button provides user a “Fail-safe” mechanism to force the system to enter the G2 state (Soft-Off) when the system has “Hung”, called the power button override. An 1ms debouncer associated with the power button is used to recognize and respond to the active low logic presented on the pin for more than 1ms. If the PWRBT# is pressed for more than 4 seconds, the SiS chip will turn off the system power by deasserting the ONCTL#. If the PWRBT# is released within 4 seconds then only the PWRBTN\_STS bit (ACPI:00h[8]) will be set. If the PWRBTN\_EN bit (ACPI:02h[8]) is also enabled, an SMI or SCI will be raised. Please refer to the Figure 3-20 Power Button Switch Flow Chart for the power button event flow chart.



*Figure 3-20 Power Button Switch Flow Chart*

**Real time clock alarm**



It is required to extend the current RTC definition of a 24-hour alarm to a one-month-alarm in ACPI specification. To extending the alarm bytes, SiS chip supports both the “Day Alarm”, and “Month Alarm” function. The Day Alarm byte, and Month Alarm byte are located in the 7Eh, and 7Fh of the Standard Bank of the RTC CMOS RAM, respectively. The OS will attempt to identify the RTC as a possible power management event source by checking the RTC\_EN bit (ACPI:02h[10]) and RTC\_STS bit (ACPI:00h[10]). Note that the RTC\_STS bit will be set by the external IRQ8# if external RTC is used. Users can set any specific time to generate an SCI if system is in the working state, or a wake-up event if system is in the sleeping state. Please refer to Figure 3-21 RTC Alarm Flow Chart for the RTC alarm event flow chart.

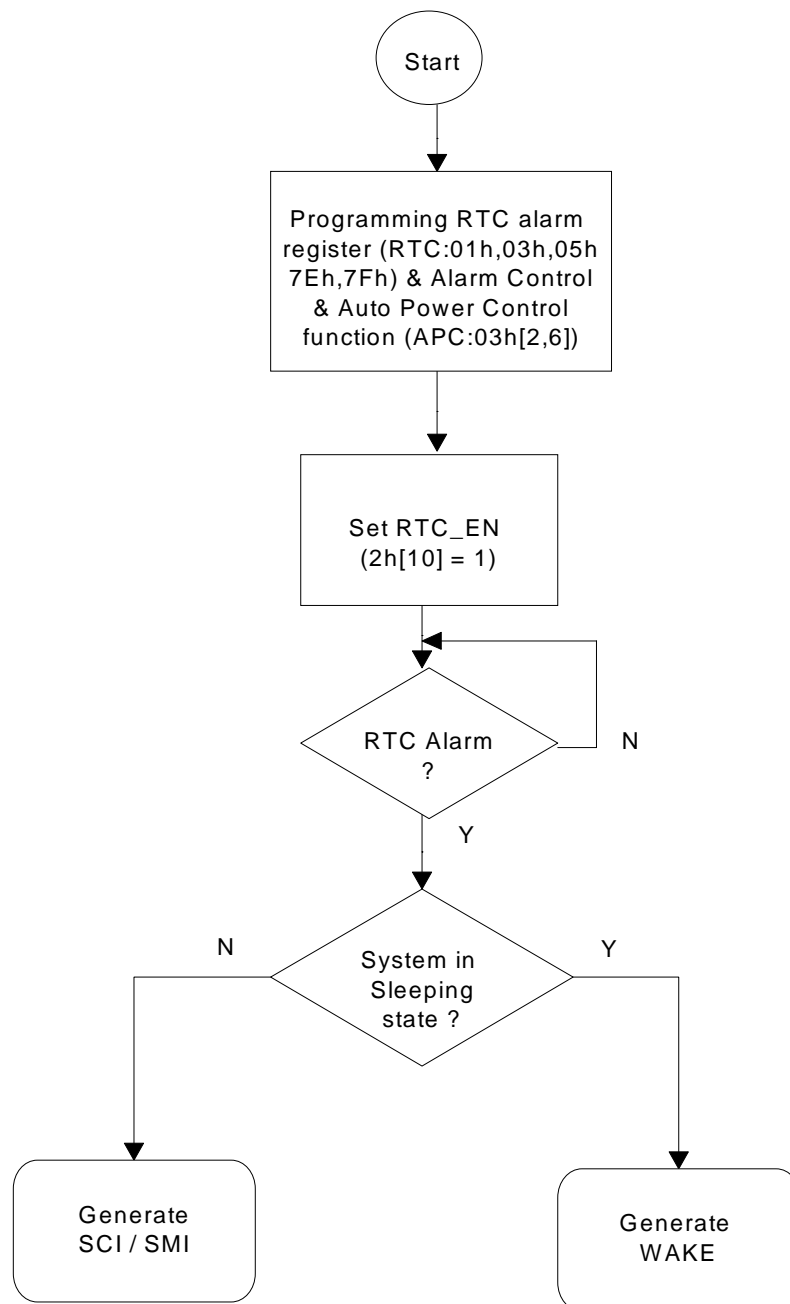


Figure 3-21 RTC Alarm Flow Chart

Ring, USB, Serial IRQ



Because the power management is controlled by OS in ACPI system, it is important to know that there is an event from the peripheral devices. The SiS chipset offers many hardware pins and internal detection to provide designers some flexible implementations. They are Ring, USB, Serial IRQ and GPIOs.

Two debouncers are associated with the RING to allow two possible modes of activation. The default mode supports 150ms detection on the RING signal while the other mode supports frequency between 14Hz to 70Hz. These two modes can be selected via ACPI:1Ch[0].

For ring detection, the RI\_STS bit (ACPI:14h[0]) will be set if the ring signal is sensed asserted. If the RI\_EN bit (ACPI:16h[0]) is also enabled, then the power management event will be generated. Please refer to Figure 3-22 Ring Flow Chart for the ring event flow chart.

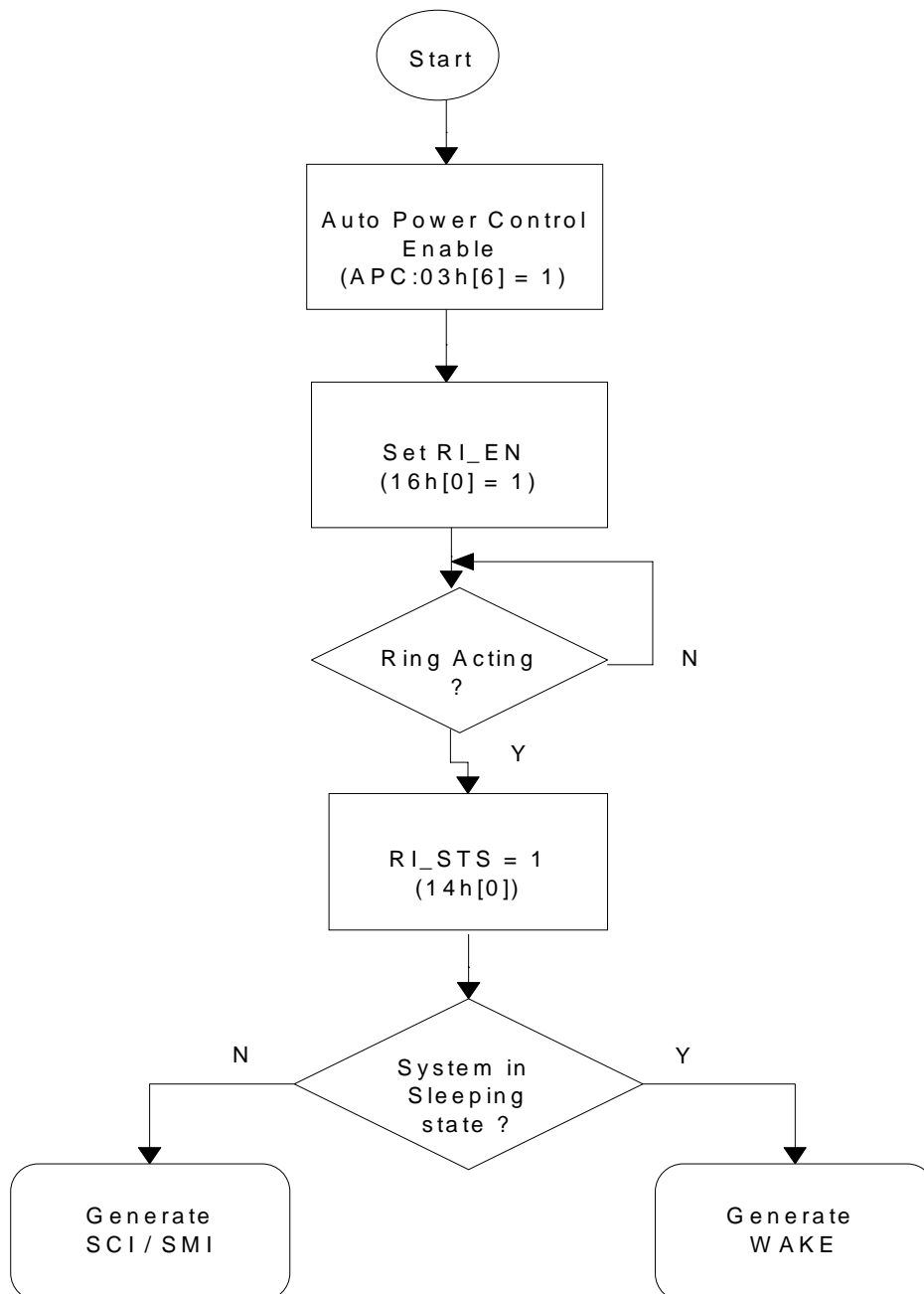


Figure 3-22 Ring Flow Chart





For USB or serial IRQ detection, a power management event is generated by chipset internal function through USB\_EN (ACPI:16h[14]) & USB\_STS (ACPI:14h[14]) or through SIRQ\_EN (ACPI:16h[8]) & SIRQ\_STS (ACPI:14h[8]) if there is an interrupt or an USB device changing. For more information please refer to Figure 3-23 USB Flow Chart and Figure 3-24 Serial IRQ Flow Chart.

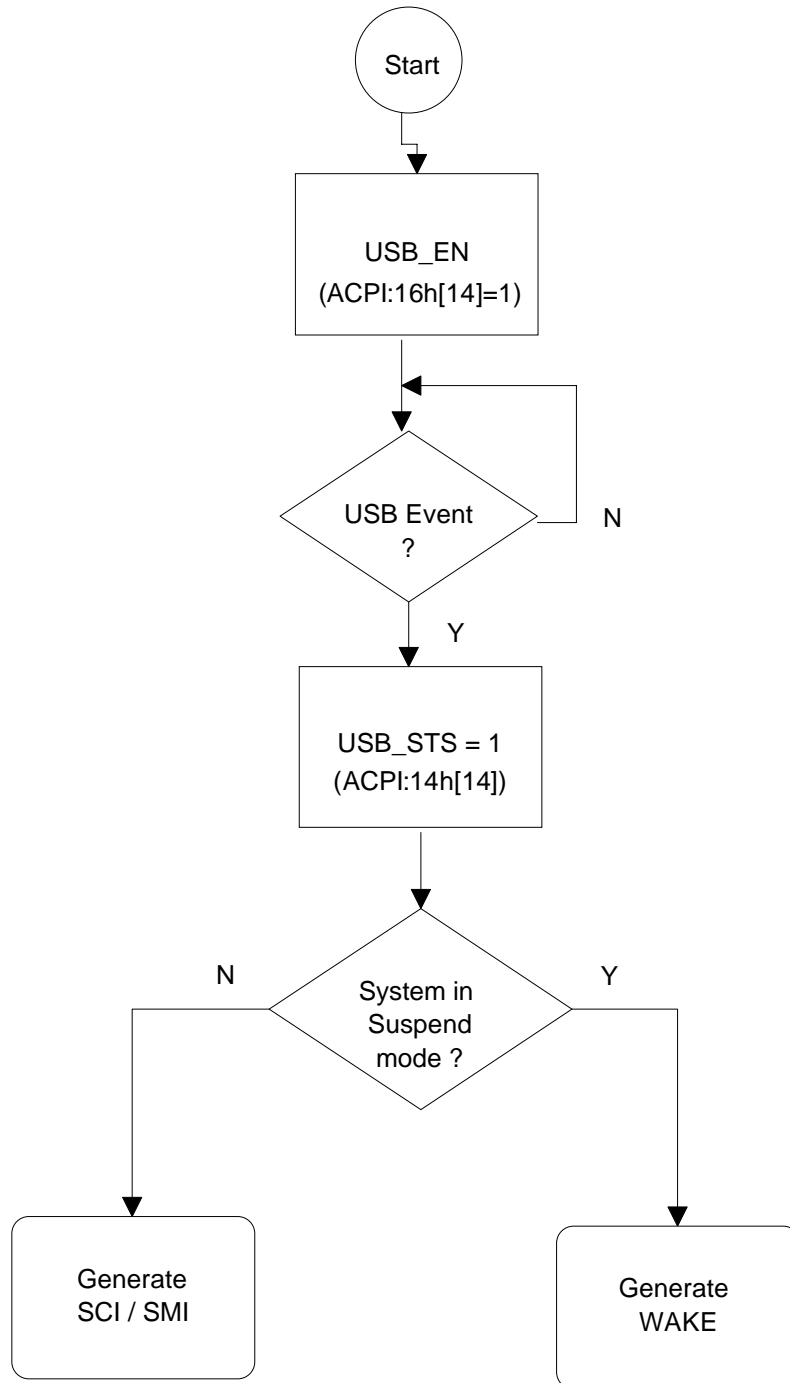
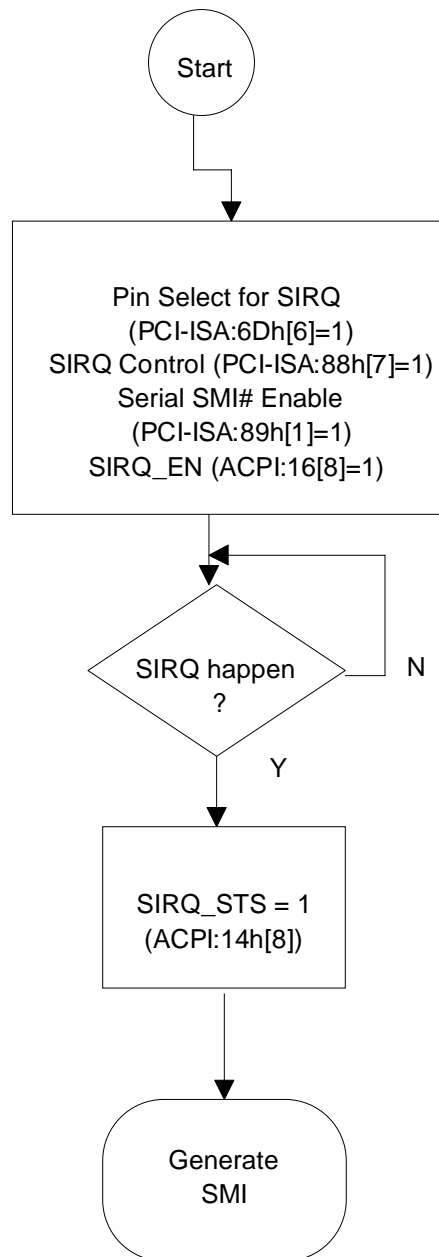


Figure 3-23 USB Flow Chart



**Figure 3-24 Serial IRQ Flow Chart**

**General Purpose I/O(GPIOx) Events:**

SiS chip provides eleven pins to support general purpose I/O function. Three(GPO3, GPO4, and GPO6 are output only) The rest(GPIO[2:0],GPIO5,GPIO[10:7]) are bidirectional. The input/output attribute of these pins can be programmed through setting or resetting the corresponding bits of the GPIO\_SEL1, and GPIO\_SEL2 registers. By default, all the GPIO pins are input. While in the input mode, the “active logic” level can be programmed through GPIO\_LVL1, and GPIO\_LVL2 registers. The default active level is low. When the active level is sensed on the GPIO pin, the corresponding status bit in the GPIO\_STS1, or GPIO\_STS2 is set. Then, the SCI, or SMI# is generated if the corresponding enable bit in the GPIO\_EN1, or GPIO\_EN2 is set. Writing a 1 to the status bit can clear the bit. In addition, the input level of each GPIO pins can be directly read back by reading the corresponding bit in the



GPIO\_CNT1 or GPIO\_CNT2 registers. While in the output mode, the logic of each GPIO pin can be controlled by writing the desired value to the corresponding bit in the GPIO\_CNT1 or GPIO\_CNT2 registers to control the peripheral device power, for instance.

### **Hotkey Event**

When internal keyboard controller is enabled, the HOTKY\_STS will be set if the “CTRL+ALT+Backspace“ is recognized. Then SCI/SMI# is generated if HOTKY\_EN (ACPI:17h[1]). is set. The HOTKY\_STS (ACPI:15h[1]) can also be set once the TURBO/EXTSMI# is activated. The active level of TURBO/EXTSMI# can be programmed through bit 3 of GPIO\_LVL1. register.

### **Thermal Detection**

SiS chipset can program GPIO9 for the thermal detection input THRM#. A 1ms debouncer is used to sense the status of THRM#. When the logic of the THRM# matches the programming active level, the STPCLK# is throttled if the THRM\_THEN bit (bit 3 of register 1Ch) is set. The throttling will be stopped if the THRM# goes back to the inactive state as a result of the system temperature may be cooled down. Note that it is not necessary to set the THT\_EN bit for throttling the STPCLK# in response to the THRM# request. If THRM# is asserted, the system can be programmed to enter the throttling mode directly or generate an SCI/SMI instead. These two options can be selected by the thermal throttling function bit (ACPI:1Ch[3]). Please refer to Figure 3-25 Thermal Detection Flow Chart for the thermal detection flow chart.

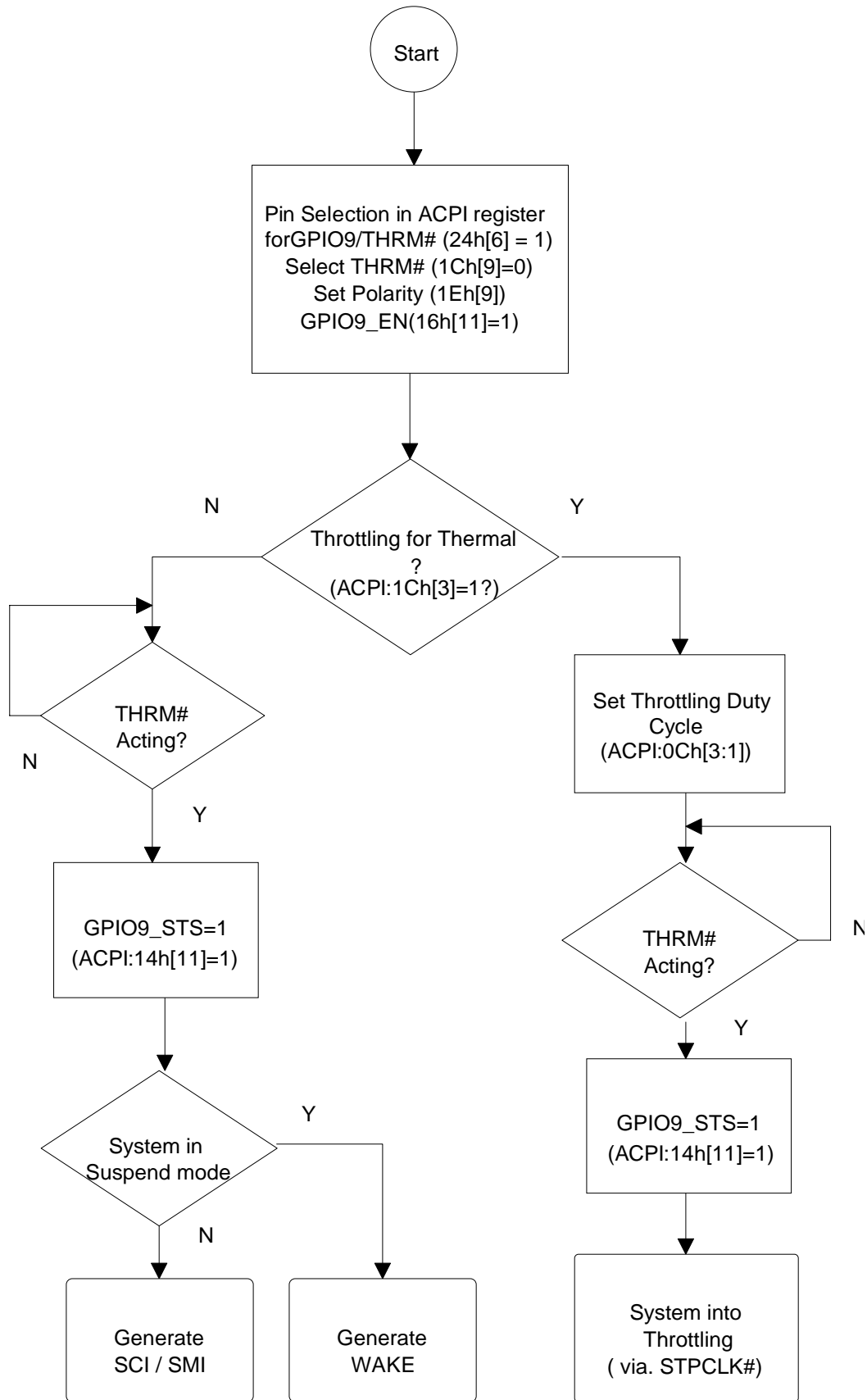
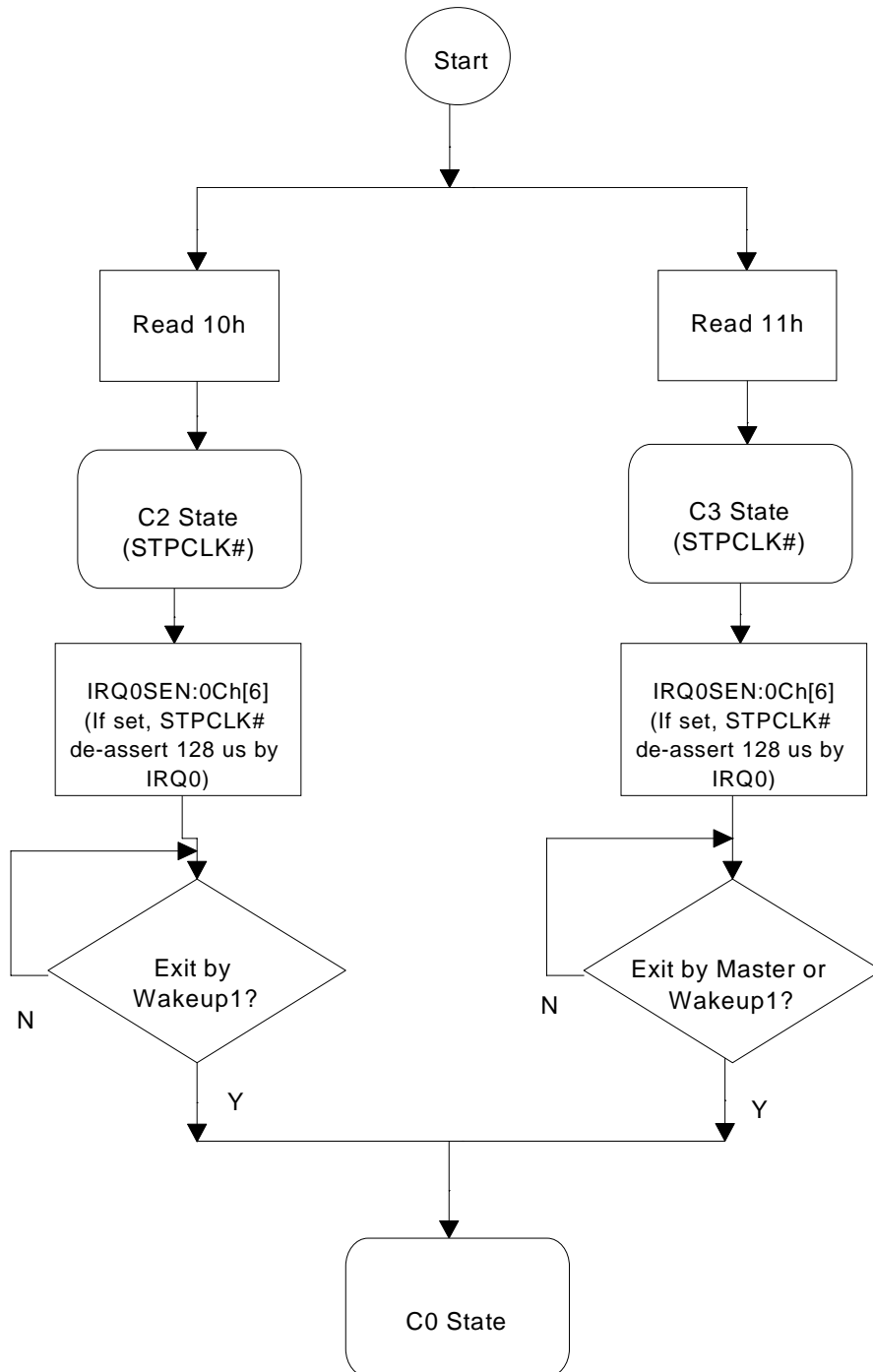


Figure 3-25 Thermal Detection Flow Chart

**CPU low power state**

The greatest power consumption component in a system is CPU. There is a great power saving if CPU enters the low power state or turns off when it is idle. The SiS chipset supports the C0-C3 CPU power states. In C1 state, system sends halt command to CPU through software in ACPI configuration register. In C2 and C3 state, system halt the CPU by asserting the STPCLK#. However, the Bus Master can still access the DRAM in the C2 state. In the C3 state, CPU should go back to C0 for the Bus Master accessing. Please refer to Figure 3-26 CPU Power State Flow Chart for the CPU power state flow chart.



**Figure 3-26 CPU Power State Flow Chart**



The SiS Chip support S0, S1, S5 states. In S1, all system power is still working, but CPU clock can be stopped by GPO6. Please refer to Figure 3-27 System States Flow Chart. The wakeup event can be programmed by software in ACPI configuration register.

In S5 (soft-off) state, only the RTC power is working. To wake system in soft-off state, the SiS Chip provides RTC alarm, power button switch, APC switch and Modem Ring-in to wake up the system. Please refer to Figure 3-27 System States Flow Chart for the system state flow chart.

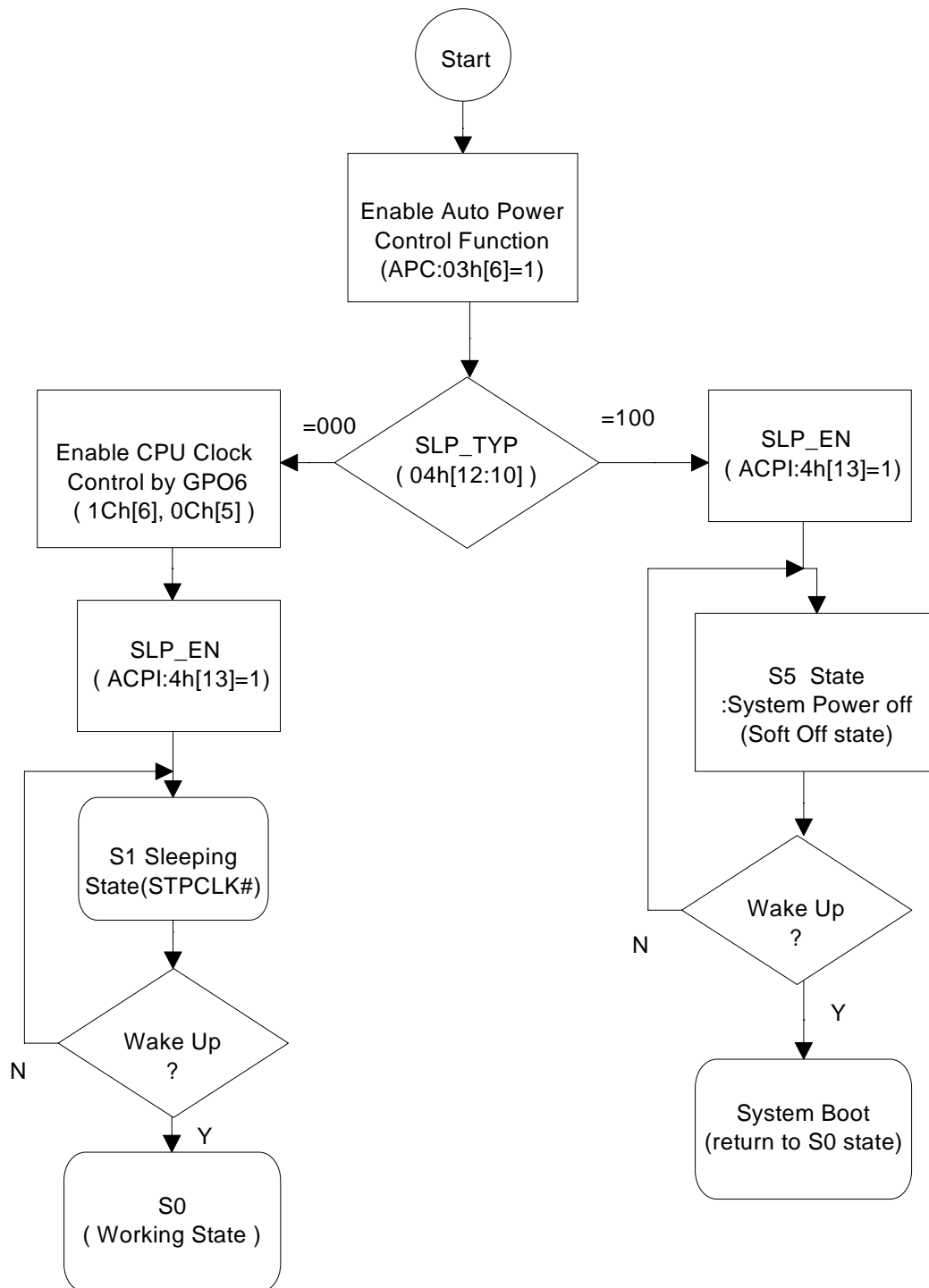


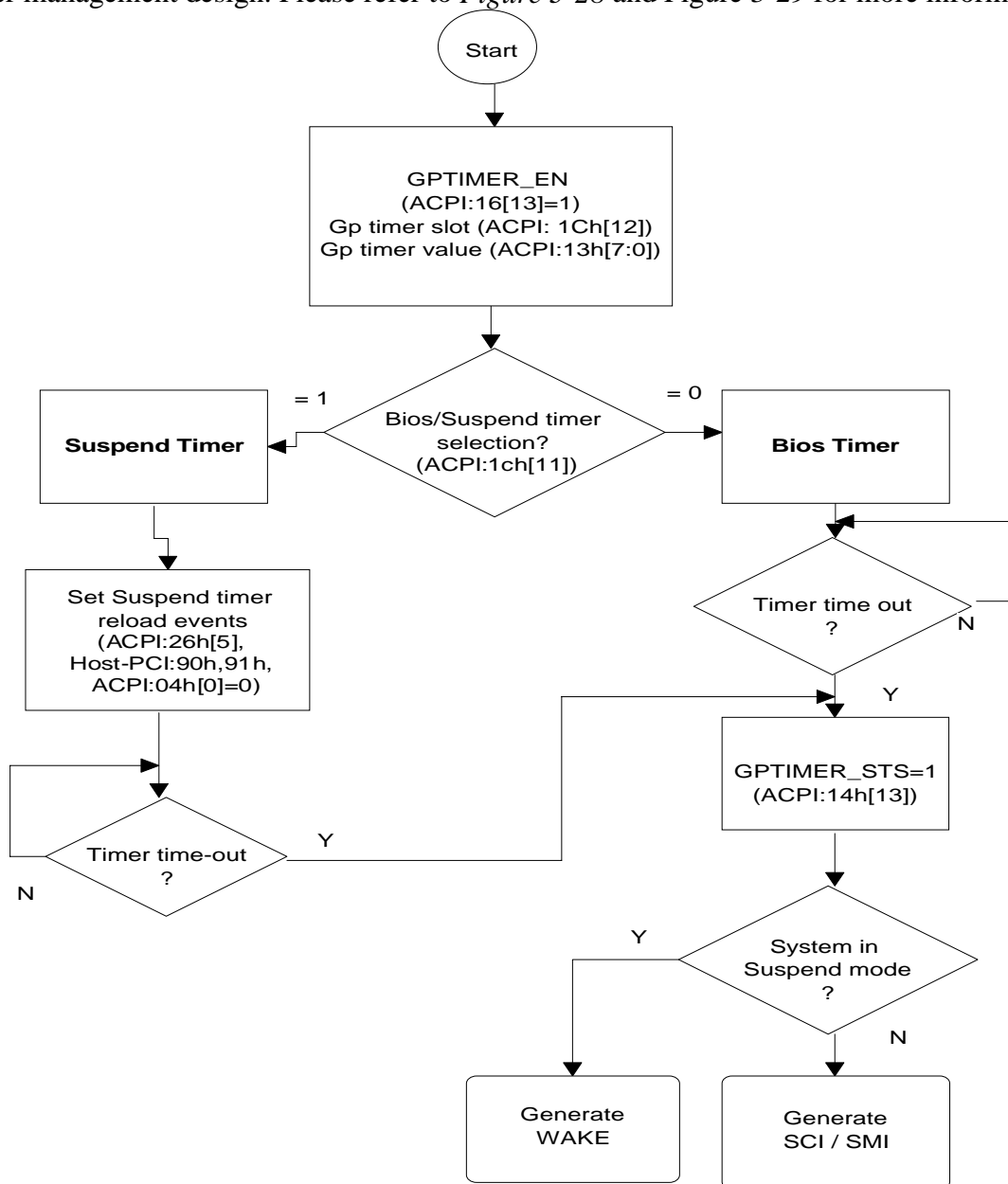
Figure 3-27 System States Flow Chart

**General purpose timer and period SMI**

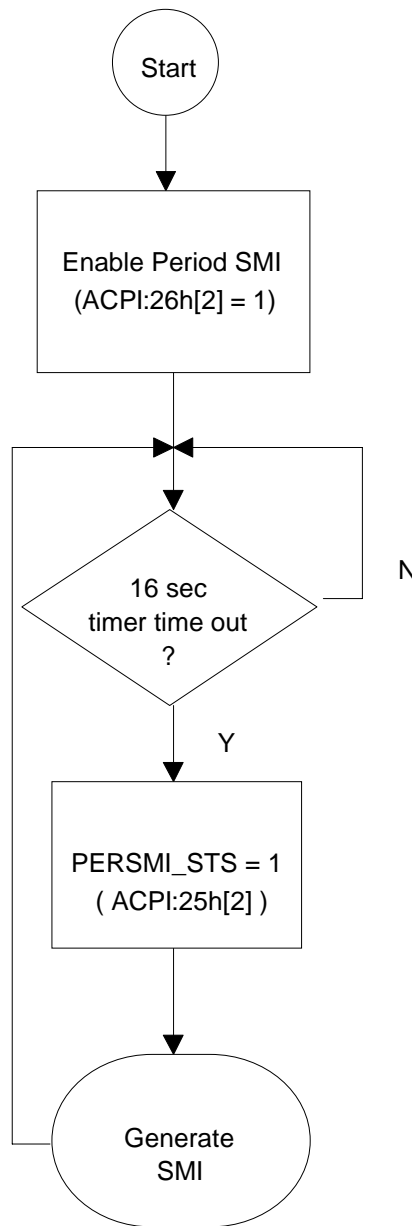
General purpose timer is a 8 bits down counter. Its time slot is 1us or 1 min. General purpose timer can be programmed as Suspend timer or BIOS Timer(ACPI:1Ch[11]). After writing counter values, it begin to count. If using as Suspend timer and there is no any reload events (Host-PCI:90h,91h) happened, the timer will time out eventually. There is a power management event when timer is time out. The function of Suspend timer is similiar to System Standby Timer. However, Suspend Timer can assert SCI or SMI but System Standby Timer can only assert SMI.

Period SMI can generate SMI# every 16 sec if the PERSMI\_EN (ACPI:26h[2]) is set. This allows the SMI# handler to periodically give warning to the user for delivering the “low battery” message, for instance.

These two functions do not belong to standard ACPI but for the convenience and variety of power management design. Please refer to *Figure 3-28* and *Figure 3-29* for more information.



**Figure 3-28 General Purpose Timer Flow Chart**



**Figure 3-29 Period SMI Flow Chart**

**ACPI\_SMI event:**

The ACPI\_SMI event, similar to the BIOS\_SCI, is provided for the ACPI handler to invoke SMI# handler. Writing a 1 to GBL\_RLS(bit 0 of AUX\_STS1 register) will set the BIOS\_STS bit, and generate SMI# if BIOS\_EN bit is set..

**Wakeup Logic**

When in the G1(or S1) system state, the events that generates SCI or SMI# in the G0 state can be programmed to serve as the wakeup events while the system is in G1 state.

Any of the enabled wakeup events will set the wake status bit(WAK\_STS) which allows the ACPI driver to separate sleeping from waking code. As mentioned in the preceding, activating Wakeup1 will also set the WAK\_STS bit, and awake the system.





One difference among them is that any power button press will unconditionally set the PWRBTN\_STS bit and awakens the system, regardless of the value of the PWRBTN\_EN bit while in the G1 sleeping state.

### **SCI event source**

Following are the sources which can generate the SCI.

Power button

RTC alarm

Global status bit (ACPI:00h[5])

Power management timer

Peripheral device IRQ

USB

RING

General purpose timer

SIRQ

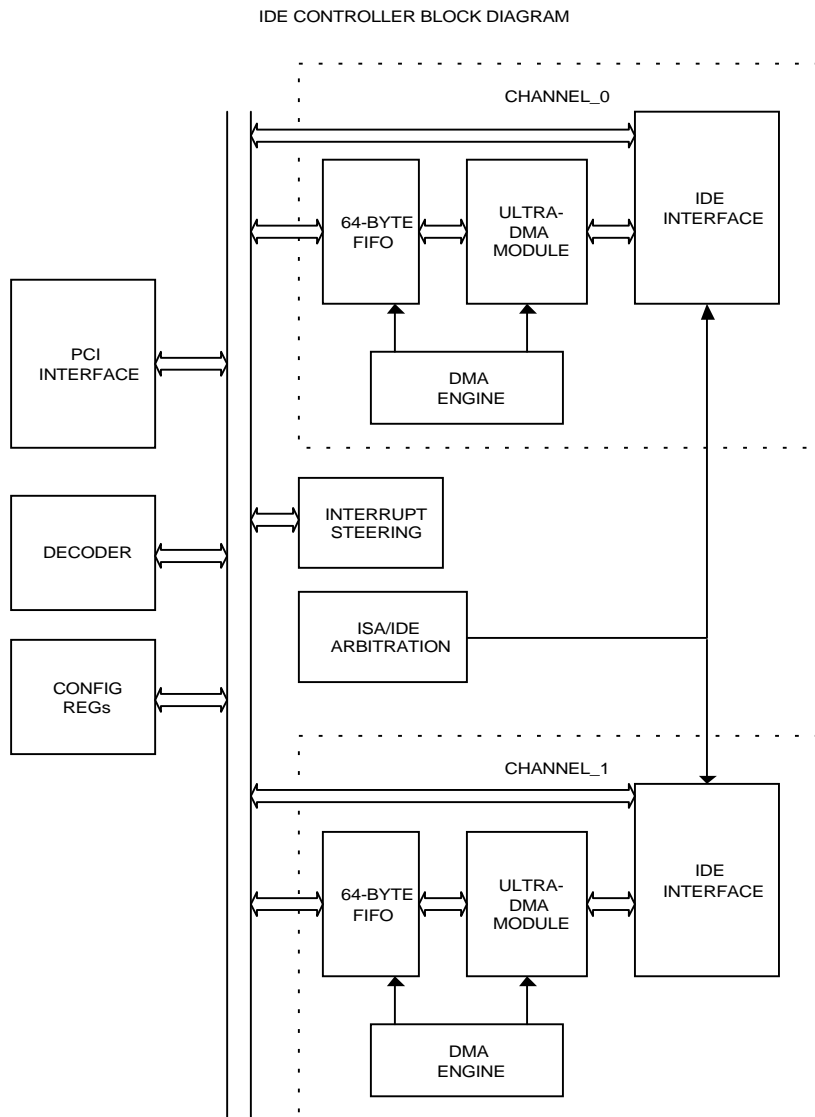
Hot key (via EXTSMI#)

GPIO

### 3.7 Integrated PCI Master/Slave IDE Controller

#### Overview

SiS Chip supports a full function PCI IDE controller capable of PIO, DMA and Ultra DMA/33 mode operation. It can be supported by programming the internal registers to support PIO Mode 0 ~ 4, Single/Multi-Word DMA Mode 0 ~ 2 and Ultra DMA Mode 0 ~ 2 timing. The IDE Controller block diagram is shown as below:



**Figure 3-30 IDE Controller Block Diagram**

There are two 64-byte FIFO associated with two IDE channels. The data can be popped into FIFO by the unit of word or double-word. All accesses to the IDE data port will go through FIFO, no matter prefetch/postwrite is enabled or not. Accesses to the command or control port will bypass FIFO. This mechanism allows the host to access command or control ports when FIFO is not empty. The FIFO has an option to be 32-byte in depth(from Register 52h bit 0 in PCI IDE configuration space), which is for backward compatibility only and is suggested not



to be used. SiS Chip provides the 64-byte FIFO mainly to support Ultra-DMA. Because the Ultra-DMA can be operated at twice the speed of traditional DMA in mode-2, a small FIFO may easily become bottleneck and degrade system performance.

The host may need to access command or control ports when PIO mode or DMA mode data transfer is undergoing. The IDE controller provides a mechanism to complete the command/control port access without disrupting the operation of FIFO.

In PIO mode, when doing postwrite, the command/control port access is held-off until the FIFO is flushed to IDE. When doing prefetch, the command/control access is held-off until the FIFO is full. Before the command/control port access is actually carried out, the host will be keep waiting on PCI bus.

In DMA mode, the command/control access will go through a higher priority than the DMA data transfer cycles. When the command/control access cycle is first seen on the PCI bus, the controller will retry the cycle so that PCI bus will not be used by the host while it is only waiting. At the same time, the controller will suspend the DMA data transfer cycles by completing the current cycle successfully, then de-asserts IDACK# to inform IDE device to stop the DMA data transfer. The IDE device may or may not deassert its IDREQ at this moment. On the other hand, the host should keep retrying the command/control cycle on PCI bus. Eventually the cycle will be accepted and carried out when DMA data transfer is stopped. After the command/control cycle is completed, the controller resumes DMA data transfer cycles as soon as the IDE device asserts IDREQ.

Both primary and secondary channels may be programmed as Native mode or Compatibility mode via the Class Code Field in the controller's Configuration Space register.

In Compatibility mode, the interrupt requests for channel 0 and channel 1 are rerouted to IRQ 14 and IRQ 15 of the built-in Interrupt Controller.

Following table illustrates the accessing methods to the I/O ports in compatibility mode:

Primary Channel:

PORT	ICSA1#	ICSA0#	READ		WRITE	
			IIOA#	IIOB#	IIOWA#	IIOWB#
1F0	1	0	0	1	0	1
1F1	1	0	0	1	0	1
1F2	1	0	0	1	0	1
1F3	1	0	0	1	0	1
1F4	1	0	0	1	0	1
1F5	1	0	0	1	0	1
1F6	1	0	0	1	0	1
1F7	1	0	0	1	0	1
3F6	0	1	0	1	0	1



Secondary Channel:

PORT	ICSB1#	ICSB0#	READ		WRITE	
			IIOA#	IIOB#	IIOWA#	IIOWB#
170	1	0	1	0	1	0
171	1	0	1	0	1	0
172	1	0	1	0	1	0
173	1	0	1	0	1	0
174	1	0	1	0	1	0
175	1	0	1	0	1	0
176	1	0	1	0	1	0
177	1	0	1	0	1	0
376	0	1	1	0	1	0

In Native mode, the interrupt requests of both channels (channel 0 and channel 1) share the same PCI interrupt pin. The interrupt pin may be rerouted to any one of eleven ISA compatible interrupts (IRQ[15:14], IRQ[12:9], and IRQ[7:3]) via programming Register 61h bits 3:0 in PCI to ISA bridge Configure space.

Meanwhile, accessing of the I/O ports are via the addresses programmed in Base Address Registers 10h~13h, 14h~17h, 18h~1Bh and 1Ch~1Fh in PCI IDE configuration space.

While serving as a bus master device, the IDE controller may transfer data between IDE devices and main memory directly. By performing the DMA transfer, IDE offloads the CPU and improves system performance. Bus master DMA programming is according to the information specification "Programming Interface for Bus Master IDE Controller".

The integrated IDE controller contains PCI configuration header and registers to meet PCI 2.1 specifications. The integrated PCI IDE controller supports PCI type 0 configuration cycles of configuration mechanism #1.

Proper cycle timing is generated to meet PCI Bus speed and different modes of IDE drive. All cycle timing can be controlled by software programming from Register 40h to Register 49h in PCI IDE configuration space.

As a slave device, IDE decodes and interprets PCI cycles and generate signals to start and terminate IDE cycles. This block responds only to cycles that belong to IDE I/O address space. It supports both 16-bit and 32-bit I/O data transfer at address 1F0/170. All other IDE registers read or write operations are 8-bit only.

**PIO mode operation**

The IDE controller is capable of doing prefetch or postwrite in PIO mode. The count(in bytes) of prefetch length for each channel can be programmed in Prefetch Count Registers 4Ch~4Dh and 4Eh~4Fh in PCI IDE Configuration space. Normally, the count will be programmed as 512(2<sup>9</sup>), which is the size of a single sector. The prefetch and postwrite functions can be



enabled or disabled independently through control bits in Register 4Bh of PCI IDE configuration space. When prefetch is enabled, the controller will start prefetching when the first read data port command is received. It will keep prefetching until the FIFO is full or when prefetch count is reached. Whenever the FIFO becomes non-empty again, the prefetch will automatically resume until the prefetch count is reached.

When postwrite is enabled, the host can write data to FIFO in word- or Dword- increment. The IDE controller will automatically start IDE write cycles as long as FIFO is non-empty. When the fast postwrite function is enabled, the write IDE data port command on PCI bus will last for 3 PCI clocks only. When disabled, the PCI command will be 5 PCI clocks.

### **DMA mode operation**

There is a DMA engine associated with each channel. The DMA engine can be invoked by writing the start-bit in Bus Master command register. The DMA engine will first request for PCI bus to read the descriptor from memory, load the address pointer and byte-count. For IDE read operation, the controller will start prefetching data into FIFO at this moment. When FIFO is half-full (or 75% full, programmable), the DMA engine will request for PCI bus to flush the data in FIFO to memory. If the prefetch count is reached while the FIFO is not yet half-full, the DMA engine will also request for PCI bus to flush the FIFO. For write operation, after descriptor is read, the DMA engine will again request for PCI bus to read data from memory to FIFO. At the same time, when the FIFO becomes non-empty, the controller will automatically start IDE write cycles to flush data in FIFO to IDE device. When data in FIFO is less than eight bytes, the DMA engine will again request for PCI bus to re-fill the FIFO.

Normally, the byte-count loaded in IDE controller will be equal to IDE transfer size programmed to IDE devices. If the two values were programmed differently, the IDE controller and the software that driving IDE should work together to prevent system from failure.

### **When the DMA engine is writing IDE**

If the byte-count was programmed to be greater than the IDE transfer size, the IDE device will de-assert IDREQ signal when the transfer size is reached and issue interrupt to IDE controller. The IDE controller will pass transparently the interrupt to host. When the host clears the start-bit in response to the interrupt, the IDE controller will simply discard the remaining data in FIFO. When the host read the status bit, it will see the interrupt bit set and active bit also set. This will be interpreted as a normal ending. If the byte-count was programmed to be less than the IDE transfer size, the controller will exhaust its data in FIFO while IDREQ signal is still asserting. The host should time-out because it does not receive any interrupt. When the host reads the status register, it will see the interrupt bit not set and the active bit set.

### **When the DMA engine is reading IDE**

If the byte-count was programmed to be greater than the IDE transfer size, the IDE device will de-assert IDREQ signal when the transfer size is reached and issue interrupt to IDE controller. The IDE controller should mask the interrupt, request for PCI bus to flush all the data in FIFO



to memory. After the FIFO is empty, the controller will unmask the interrupt to inform host that all data is visible in memory. The host, after received the interrupt, will read the status register and see the interrupt bit set and active bit also set. This will be interpreted as a normal ending.

If the byte count was programmed to be less than the IDE transfer size, the IDE controller will stop prefetching when its byte-count has reached while IDREQ signal is still asserted by device. The controller may or may not flush its data in FIFO to memory, depending on whether the FIFO has reached its request level or not. The host will eventually be time-out because it does not receive any interrupt. When the host reads the status register, it will see the interrupt bit not set and the active bit set. The remaining data in FIFO will be discarded when the host clears the start-bit.

### **Ultra-DMA/33 Operation**

Ultra DMA is a fast data transfer protocol used on IDE bus. By utilizing both the rising edge and the falling edge of the data strobe signal to latch data from DD[15:0], the data transfer rate is effectively doubled than that of the traditional multi-word DMA while the highest fundamental frequency on the cable is the same. In view of the faster transfer rate on IDE bus may easily fill the FIFO up when reading IDE device, in such condition the IDE bus will be idle and result in system performance degradation, SiS Chip lengthens the internal FIFO for each channel (channel 0/channel 1) to 16-Dword to improve system performance. When the FIFO is half-full (or 3/4-full, programmable), the DMA engine should request for PCI bus by asserting an internal request signal to system arbiter. The system arbiter, based on an algorithm described in the previous sections, shall grant the PCI bus to DMA engine by asserting an internal grant signal to it. Ideally, the FIFO should never be full during data-in operation so that the burst data transfers on IDE will not be suspended. When the IDE controller is transferring data from system memory to IDE, the DMA engine will initiate PCI burst cycles to read data from memory into FIFO until FIFO is full. The FIFO will decrease at the rate of the selected Ultra DMA mode as the IDE controller doing data-out operation. In the best situation, the FIFO should not be empty during data-out operation otherwise the burst data transfer on IDE will be suspended.

The Ultra-DMA mode can be enabled on a per-device basis and all three timing modes(0-2) are supported by programming the corresponding configuration registers. For Ultra-DMA operations, the following signal lines shall change to their new definition when IDACK# is asserted. These signals will revert back to their old definitions right after IDACK# is deasserted.

The following table shows the signal line difference between old definition and new definition (Ultra DMA).

Old Definition	New Definition
ILOW#	STOP#
IIOR#	HDMARDY# --- data in operation HSTROBE --- data out operation
ICHRDY#	DSTROBE --- data in operation DDMARDY# --- data out operation



There are three phases for an Ultra-DMA operation as defined in the protocol: Burst Initiation phase, Data Transfer phase and Burst Termination phase. The Burst Initiation phase is always initiated by the device when it asserts IDREQ. The SiS Chip will respond IDACK# after the base address and byte-count in the PRD table entry is read from system memory. During Data Transfer phase, either the sender or the receiver can pause a burst to allow for internal data processing and then resume the burst some time later. There are three situations that SiS Chip will pause a burst:

1. As a sender during data-out operation and the internal FIFO is empty. The burst will resume after the DMA engine re-fill the FIFO with data from system memory.
2. As a receiver during data-in operation and the internal FIFO is full. The burst will resume after the DMA engine dump the data in FIFO to system memory.
3. For a PRD table with multiple entries, the DMA engine will start the burst data transfer after base address and byte-count of one entry is read. When the data transfer for the current entry is completed and the next entry has not yet been read into the controller, the SiS Chip shall also initiate a pause. After the base address and byte-count for next entry is read, the burst resumes.

The Burst Termination phase can be initiated by either the SiS Chip or the device. In normal situations, when the data transfer has reached the byte-count as defined in the last entry of the PRD table, the SiS Chip will initiate a burst termination by asserting STOP#. After the termination is acknowledged by the device and HSTROBE signal return to the asserted state, the CRC will be sent on negation of IDACK#. There are two additional situations that the SiS Chip will also initiate a burst termination:

1. During the burst data transfer, the host(CPU) is trying to access the command/control block registers. Since the command/control block access cycle is assigned to have higher priority than data transfer cycles, the SiS Chip must first terminate the burst, de-asserts the IDACK# signal, generate the corresponding DA[2:0] and CS[1:0] on IDE bus, and then complete the command/control block register access cycle. After that, the burst can be resumed by entering the Burst Initiation phase when the device re-asserts IDREQ.
2. Since the usage of the IDE/ISA bus is arbitrated among PCI-to-ISA cycle, ISA masters and IDE controllers. Once the PCI-to-ISA cycle or the ISA masters gains higher priority on the bus and need to access the ISA bus, the IDE controller must yield. In such cases, when Ultra-DMA mode is operating, the controller will initiate a burst termination. After the preempting cycles are finished, the Ultra-DMA burst can be resumed.

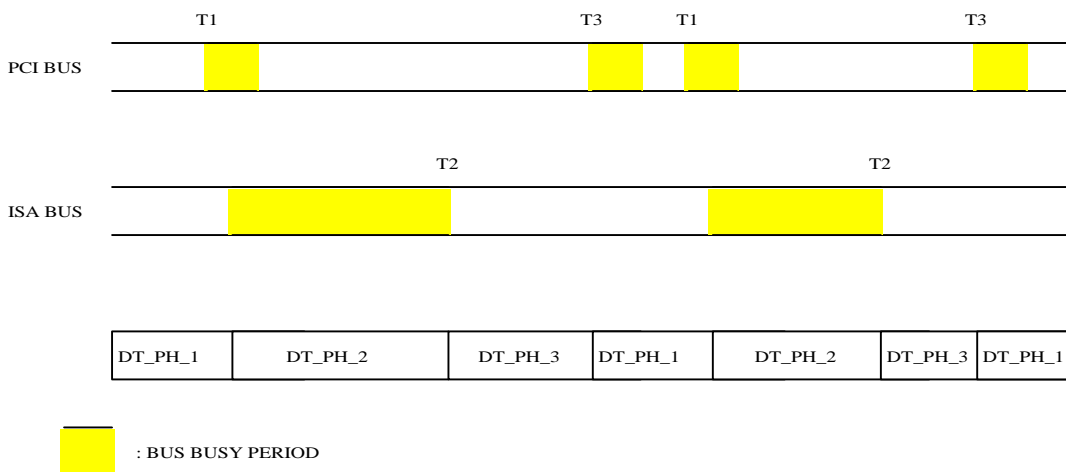


### 3.8 Delayed Transaction

Delayed transaction is a mechanism used when the target, like PCI-to-ISA bridge in SiS Chip on behalf of the ISA devices, cannot complete the transaction within the initial latency of 16 PCI clocks. To support delayed transaction function, the PCI-to-ISA bridge would latch all the information required to complete the transaction and then terminate the master with a retry. The PCI-to-ISA bridge will then translate the request into ISA cycle to obtain the requested data for a read transaction or complete the actual request if a write request. During this period the original master would keep retrying the cycles while other PCI masters are also allowed to use the bus that would normally be wasted holding the original master in wait states. Eventually, the original master would get the latched data for read transaction, or complete the cycle for the write transaction when the PCI-to-ISA bridge completes the ISA cycles.

#### Delayed Transaction and ISA Master Cycle Arbitration

ISA devices or DMA controller embedded in the PCI-to-ISA bridge of SiS Chip may become ISA master and initiate cycles to access PCI bus. It is quite often that the ISA master may request for ISA bus while there is a delayed transaction undergoing. As a result, an arbitration rule is adopted in the PCI-to-ISA bridge to prevent conflict on the ISA bus. In this section, we will first describe the actions of an ISA master cycle, and next outline the arbitration rules. For convenience, the progress of a delayed transaction cycle will be divided into three phases: DT\_PH\_1, DT\_PH\_2 and DT\_PH\_3.



T1: A new delayed transaction is accepted  
T2: The delayed transaction is completed on ISA bus  
T3: Original master completes the delayed transaction cycle

**DT\_PH\_1:** This is the period when there is no pending delayed transaction in progress

**DT\_PH\_2:** This is the period when the ISA cycle corresponding to the delayed transaction is undergoing on ISA bus.

**DT\_PH\_3:** From the end of ISA cycle up to the original PCI master successfully retries and completes the whole delayed transaction.





Note: the delayed transaction is said to be pending during DT\_PH\_2 and DT\_PH\_3.

Traditionally, ISA(DMA) masters request ISA bus by asserting their corresponding DREQs to DMA controller embedded in the PCI-to-ISA bridge. The PCI-to-ISA bridge, in turn, will generate PHOLD# to system arbiter to request for PCI bus. The PHOLD# will be asserted as long as DREQ is asserted by the ISA master. In response to PHOLD#, the system arbiter grants PCI bus to PCI-to-ISA bridge by asserting PHLDA#. The PCI-to-ISA bridge, upon receiving PHLDA#, will first check if ISA bus is busy or idle. If busy, it will defer the assertion of DACK# until ISA bus returns to idle. If idle, it will assert the corresponding DACK# immediately to inform ISA master to start. ISA master when received DACK#, can then start its cycles transferring data to or from PCI(ISA) bus. When ISA master finishes its cycles, it de-asserts DREQ and then PHOLD# will also be de-asserted immediately. The system arbiter, in response to the desertion of PHOLD#, will immediately de-assert PHLDA#. This completes the whole sequence of ISA master cycles.

Note: PHOLD# and PHLDA#, in SiS Chip, are internal signals interfaced between the system arbiter and the PCI-to-ISA bridge.

#### **Delayed Transaction and ISA Master Arbitration Rule**

1. When ISA master issues DREQ and there is no pending delayed transaction, this is the normal case that no arbitration is needed and the PCI-to-ISA bridge behaves exactly as that stated above.
2. When ISA master issues DREQ and there is currently a delayed transaction pending, the PCI-to-ISA bridge will disregard the pending delayed transaction and immediately generate PHOLD# to request for PCI bus.
3. When the system arbiter grants PCI bus to ISA master by asserting PHLDA#, and the delayed transaction is in DT\_PH\_2, i.e., the ISA bus is busy, the PCI-to-ISA bridge should defer the assertion of DACK# until DT\_PH\_3 is entered. Otherwise, ISA master will start its cycles as soon as DACK# is asserted and may result in ISA bus conflict.
4. If PHLDA# is asserted when the pending delayed transaction is already in DT\_PH\_3, i.e., the ISA bus has returned to idle, the PCI-to-ISA bridge can assert DACK# immediately and hence ISA master may start its cycles even when the delayed transaction is not yet completed on PCI bus.
5. During the period that ISA master is active and delayed transaction is pending in DT\_PH\_3, the original PCI master that initiated the delayed transaction will temporarily stop retrying on the PCI bus because PCI bus is now owned by ISA master.
6. After the ISA master finishes its data transfers, the original PCI master should eventually re-gain PCI bus and retry successfully.



### 3.9 The Architecture of ISA/IDE Multiplexed bus

SiS Chip interfaces to IDE bus and ISA bus through multiplexed pins. The data bus IDA[15:0] of IDE channel\_0 share pins with SD[15:0] of ISA bus, while the data bus IDEB[15:0] of IDE channel\_1 share pins with LA[23:17] and SA[16:8] of ISA bus. The resulting bus architecture interfaced with SiS Chip will be called IDE/ISA bus. The pin-sharing imposes limitation on the IDE/ISA bus such that IDE and ISA can not be operating simultaneously. As a result, when either of the IDE channels is operating, the ISA bus activities must be idle. Conversely, when the ISA bus is used by the PCI-to-ISA bridge or ISA masters, both the IDE channels must not be operating. There are two exceptions that ISA and IDE can both be operating. One is ISA refresh cycle initiated by refresh controller embedded in SiS Chip. Since only SA[7:0] and MEMR# are used during refresh cycles, it is apparent there will be no conflict between ISA and IDE. The other exception is when the internal registers of legacy ISA bus controllers (8259, 8237, 8254) are being accessed. These registers located inside the SiS Chip and hence no external AT cycles will be generated when they are being accessed. Therefore, these registers can be accessed when IDE is operating.

The IDE bus signals are driven directly by the chip, while the ISA bus signals are further buffered by 74LS245s. Two 74LS245 are used to interfaced with ISA address signals and two 74LS245 are used to interfaced with ISA data signals. The MR16# signal of ISA is used to control the direction of address signals to or from ISA slots. When a ISA master gains ISA bus ownership by asserting MR16#, the direction of address is from ISA to IDE. In all other cases, the direction of address is from IDE to ISA. During ISA refresh cycles, the ENABLE pins of the two 74LS245s interfaced with address signals are disabled by the RFH# signal such that ISA address signals will not appear on IDE and hence IDE operations will not be affected.

The SDOEL and SDOEH signals connect to the DIR pins of 74LS245s and are used to control the direction of ISA data flow. SDOEL is used to control low-byte, and SDOEH is used to control high-byte. When the two signals are high, the direction of ISA data flow is from IDE to ISA. When the two signals are low, the direction of ISA data flow is from ISA to IDE. When either of the IDE channels is operating, the SDOEL and SDOEH will be both high such that the data direction is from IDE to ISA. When PCI-to-ISA bridge or ISA master is active, SDOEL and SDOEH will be depending on the read/write status of the current transaction.

The above mechanism assumes that ISA devices located on ISA slots will not be affected by IDE signals propagate through the 74LS245s and appear on ISA address/data buses when IDE is operating, since the DIR signals will park the 74LS245s in the IDE-to-ISA direction.

To arbitrate the IDE and ISA bus, SiS Chip has developed an arbitration scheme on the IDE/ISA bus. By taking advantage of the arbitration scheme, IDE controller and ISA devices can each get a fair share of bus usage. The arbitration scheme will be described in the following section.



### **IDE/ISA Bus Limitation**

1. The two IDE channels are fully separated and hence can be operating simultaneously without intervening each other.
2. Due to the limitation of multiplexed pins, when any one of the IDE channel is busy, ISA bus activities must remain idle. Conversely, when the ISA bus is busy, the two IDE channels must be idle.

There are three candidates compete for the IDE/ISA bus

1. PCI-to-ISA cycle
2. ISA master
3. IDE controllers (of the two channels)

### **Basic Rules**

1. PCI-to-ISA cycle can preempt IDE cycles immediately
2. ISA master cycles cannot be preempted
3. A simple rotating-priority is adopted for IDE controllers and ISA masters
4. The minimum bandwidth of IDE controller can be guaranteed by programming the minimum accessed time register(50h~51h) in PCI IDE configuration space.
5. ISA master can preempt IDE controller only when its priority is larger than both IDE channels.

### **Arbitration Scheme**

1. Since the PCI-to-ISA cycle and ISA master are already arbitrated by the system arbiter of SiS Chip, it is for sure that they will never be active simultaneously. Therefore, the IDE/ISA arbitration scheme can rule out this possibility.
2. PCI-to-ISA cycle can interrupt IDE controller immediately. When IDE controller of either channels detects a PCI-to-ISA cycle is requesting at the PCI-to-ISA bridge, it should suspend its operation immediately by completing the current IDE cycle. If in DMA mode, it should also deassert DACK#. The IDE controller should remain in idle state until the PCI-to-ISA cycle is complete and then resume its operation. The PCI-to-ISA bridge, on the other hand, should temporarily retry the PCI-to-ISA cycle on PCI bus when any one of the IDE channel is busy. It keeps retrying the cycle until both IDE channels are in idle state. It is obvious that this rule favors PCI-to-ISA cycles because IDE multi-sector data transfers are quite often and may last for a long period of time. If the PCI-to-ISA cycle can not preempt IDE, it may be waiting too long and result in system failure.
3. ISA master cycles cannot be suspended and then resumed later. Once the ISA master was granted to initiate its cycles, it must complete the whole process without being interrupted.



4. To solve the arbitration between IDE and ISA master, a rotating priority scheme is adopted to ensure each of the candidates will get a fair share of bus usage.

Since the ISA master can not be preempted, it can hold the bus as long as it desires. It is likely that IDE channels will not be able to get a fair share of bus usage when ISA master is heavily transferring data. As a supplement, the minimum accessed time for IDE channels can be guaranteed by programming the minimum accessed time register. This 16-bit register defines a minimum accessed time in terms of PCI clock for IDE. Every IDE data transfer is guaranteed not to be preempted by ISA master before IDE has used the bus for this amount of time. As such, the minimum bandwidth of IDE channels can be guaranteed. To count the amount of time that the bus is used by IDE, there is a granting timer associated with each IDE channel counting with PCI clock. Initially, the granting timer is loaded with the value of the minimum accessed time register. For every PCI clock, if the IDE/ISA bus is used by the associated IDE channel, the granting timer should count-down once. When the timer expires and ISA master is requesting for bus, the IDE channel should suspend its cycles and yield the bus to ISA master. The granting timer can be reloaded when ISA master finish using the bus.

Define:

PRIO\_ISAM: the priority of ISA master  
PRIO\_IDE0: the priority of IDE channel\_0  
PRIO\_IDE1: the priority of IDE channel\_1

Operation rules for the rotating priority scheme:

- PRIO\_ISAM will be the lowest when ISA master finishes its data transfer cycles.
- PRIO\_IDE0 will be the lowest when the granting timer of IDE channel\_0 expired
- PRIO\_IDE1 will be the lowest when the granting timer of IDE channel\_1 expired.
- ISA master can only preempt both IDE cycles when

PRIO\_ISAM > PRIO\_IDE0 and PRIO\_ISAM > PRIO\_IDE1

Consider the following sequence of events as an example.

Initially, after the system is reset:

PRIO\_ISAM > PRIO\_IDE0 and PRIO\_ISAM > PRIO\_IDE1

After the first ISA master cycle transfers:

PRIO\_ISAM < PRIO\_IDE0 and PRIO\_ISAM < PRIO\_IDE1

After IDE channel 0 data transfer and its granting timer expires

PRIO\_ISAM > PRIO\_IDE0 and PRIO\_ISAM < PRIO\_IDE1

After IDE channel 1 data transfer and its granting timer not yet expires



PRIO\_ISAM > PRIO\_IDE0 and PRIO\_ISAM < PRIO\_IDE1

After IDE channel 1 data transfer and its granting timer expires

PRIO\_ISAM > PRIO\_IDE0 and PRIO\_ISAM > PRIO\_IDE1

Note that the priority scheme is used to arbitrate bus usage when ISA master and IDE controller are competing for bus. If there is only one candidate requesting for bus at a time, it can get the bus immediately regardless of its priority.

### 3.10 USB Host Controller

The SiS USB Host Controller is developed to support the USB bus as the Host Controller with built-in Root Hub and 2 USB ports. The SiS USB Host Controller is implemented based on the OpenHCI, the Open Host Controller Interface Specification for USB Release 1.0.

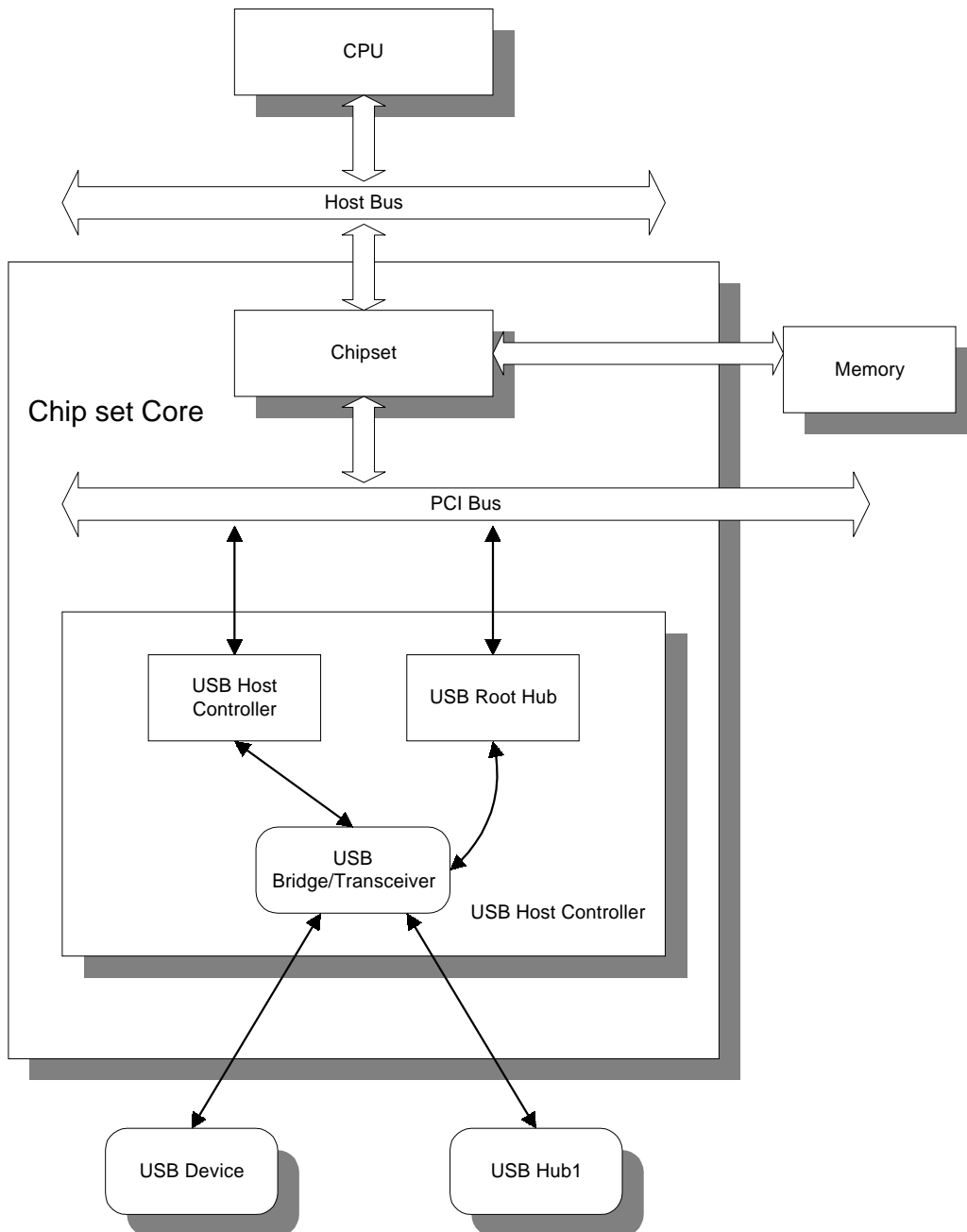
In order to support the applications and drivers under non-USB aware environments (such as DOS environment), the SiS USB Host Controller implemented hardware to support the emulation of a PS/2 keyboard and mouse by their USB equivalents (to the USB keyboard and USB mouse). This emulation support is done by a set of registers that are controlled by code running in SMM. The hardware implementation is based on OpenHCI Legacy Support Interface Specification Release Version 1.01.

The SiS USB Host Controller provides the following major features.

- Provide USB Host Controller function to meet the Universal Serial Bus Specification version 1.0, with fully compatible to the Open Host Controller Interface Specification for USB Release 1.0
- Provide Legacy Support function based on OpenHCI Legacy Support Interface Specification Release Version 1.01.
- Built-in Root Hub, with two USB Ports integrated.
- Implement circuit and control for the Overcurrent Protection on the USB ports.

The following will be shown the USB System Block Diagram.

USB System Block Diagram  
(10-16-95)



**Figure 3-31 USB System Block Diagram**



### 3.11 Integrated Keyboard Controller

The integrated KBC uses hardwired methodology instead of software implementation as the traditional 8042 keyboard BIOS. In this way, keyboard controller can have instant response to all the commands. It also supports Auto A20 gate and Auto Reset Features. Besides, the integrated KBC has a power control feature. After the [Ctrl]+[Alt]+[Backspace] hot keys are pressed, the system will enter the power saving mode. Moreover, the integrated KBC supports the industrial standard PS/2 mouse optionally.

#### Status Register

The status register is an 8 bits read only register located at I/O address hex 64. It has information about the state of the keyboard controller and interface. It may be read at any time.

- Bit 7      Parity Error**
  - 0 : Odd Parity (No Parity Error)
  - 1 : Even Parity (Parity Error)
- Bit 6      Time-out Error**
  - 0 : No Transmission Time-out Error
  - 1 : Transmission Time-out Error
- Bit 5      Auxiliary Output Buffer Full**
  - 0 : Keyboard Data
  - 1 : Mouse Data
- Bit 4      Inhibit Switch**
  - 0 : Keyboard is Inhibited
  - 1 : Keyboard is not Inhibited
- Bit 3      Command/Data**
  - 0 : Data Byte. Writing to I/O 60h
  - 1 : Command Byte. Writing to I/O 64h
- Bit 2      System Flag**

This bit may be set to 0 or 1 by writing to system flag bit in the keyboard controller's command byte. It is set to 0 after a power on reset.
- Bit 1      Input Buffer Full**
  - 0 : Input Buffer Empty
  - 1 : Input Buffer Full. Data has been written into the buffer but the controller has not read the data
- Bit 0      Output Buffer Full**
  - 0 : Output Buffer Empty
  - 1 : Output Buffer Full. The controller has placed data into its output buffer but the system has not yet read data



## **Input/Output Buffer**

### **Input Buffer**

The input buffer is an 8 bits write only register located at I/O address hex 60 or 64. Writing to address hex 60 sets a flag, that indicates a data write; writing to address hex 64 sets a flag, indicating a command write. Data written to I/O address hex 60 is sent to the keyboard, unless the keyboard controller is expecting a data byte following a controller command. Data should be written to the controller's input buffer only if the input buffer's full bit in the status register equal 0. The next command are valid keyboard controller commands.

### **Output Buffer**

The output buffer is an 8 bits read only register at I/O address hex 60. The keyboard controller uses the output buffer to send scan codes received from the keyboard, and data bytes requested by command to the system. The output buffer should be read only when output buffer's full bit in the status register set to 1.





Commands (I/O Address 64H)

Write I/O Address 64h that is Keyboard BIOS Command:

Command	Keyboard Mode	Keyboard PS/2 Mode
00-1F	Read Internal RAM -- The controller sends value of RAM to output buffer.	
20	Read Keyboard Controller's Command Byte -- The controller sends its current Command byte to its output buffer.	
21-3F	Read Internal RAM -- The controller sends value of RAM to output buffer.	
40-5F	Write Internal RAM -- The next byte of data written to I/O 60h is placed into Internal RAM.	
60	Write Keyboard Controller's Command Byte -- The next byte of data written to I/O 60h is placed in the controller's command byte.	
	<i>Bit</i>	<i>Bit Definitions</i>
	0	Enable Keyboard Output-Buffer-Full Interrupt. Generates an interrupt when it places keyboard data into its output buffer.
	1	In Keyboard Mode: Reserved to 0. In Keyboard PS/2 Mode: 1 -- Enable Mouse-Buffer-Full Interrupt. Generates an interrupt when it places mouse data into its output buffer.
	2	1 -- The controller generates an System Flag. The value written to this bit is placed in the system flat bit of the controller's status register.
	3	1 - Disable Keyboard Lock Switch "KBLOCK".
	4	1 - Disable Keyboard. Disable the Keyboard interface by driving the 'clock' line low. Data is not sent or received.
	5	1 -- Disable Mouse. Disable the mouse interface by driving the 'clock' line low. Data is not sent or received.
6	1 -- IBM Personal Computer Compatibility Mode. Convert the scan codes received from keyboard to IBM PC. This includes converting a two-byte sequence to the one-byte IBM Personal Computer format.	
7	0 -- Reserved.	
61-7F	Write Internal RAM -- The next byte of data written to I/O 60h is placed into Internal RAM.	
A0	Read Internal ROM -- The controller sends value to its output buffer that end with a '0'.	
A1	Read Keyboard Controller's Version - The version code result will be placed to its output buffer.	
A4	Reset Internal Register B to 0.	Not Valid
A5	Reset Internal Register B to 0.	Not Valid
A6	Read Internal Register B -- The controller sends value to its output buffer.	Not Valid
A7	Set Internal Register C to 0.	Disable Mouse Device -- This disable the mouse interface by driving the mouse clock line low.
A8	Set Internal Register C to 1.	Enable Mouse Device -- This enable the mouse interface by driving the mouse clock line float.
A9	Read Internal Register C -- The controller sends value to its output buffer.	Mouse Device Interface Test -- Test the controller's mouse clock and data line and place the result to output buffer as follows :  00 -- No error detected. 01 -- The 'Mouse Clock' line is stuck low. 02 -- The 'Mouse Clock' line is stuck high. 03 -- The 'Mouse Data' line is stuck low. 04 -- The 'Mouse Data' line is stuck high.
AA	Self-Test - This commands the controller to perform internal diagnostic tests. A hex 55 is placed in the output buffer if no errors are detected.	



AB	Keyboard Interface Test -- This commands the controller to test the keyboard clock and data line. The test result is placed in the output buffer as follows :  00 -- No error detected. 01 -- The 'Keyboard Clock' line is stuck low. 02 -- The 'Keyboard Clock' line is stuck high. 03 -- The 'Keyboard Data' line is stuck low. 04 -- The 'Keyboard Data' line is stuck high.	
AD	Disable Keyboard Feature -- This command sets bit 4 of the controller's command byte. This disable the keyboard interface by driving the clock line low. Data will not be sent or received.	
AE	Enable Keyboard Interface -- This command clears bit 4 of command byte which release the keyboard interface	
B0	Set P10 to 0	Not Valid
B1	Set P11 to 0	Not Valid
B8	Set P10 to 1 (Default)	Not Valid
B9	Set P11 to 1 (Default)	Not Valid
C0	Read Input Port -- This command the controller to read its input port and place the data in its output buffer. This command should be used only if the output buffer is empty.	
C1	Set Port P17 to 0 & KBLOCK disable	Set Port P17 to 0 & KBLOCK disable
C2	Not Valid	Place Bit 7-4 of Input Port to status register
C3	Not Valid	Place Bit 3-0 of Input Port to status register
C7	Set Port P17 to 1	Set Prot P17 to 1
CA	Read Internal Register D -- The Internal Register will be placed into its output buffer.	
CB	Write Internal Register D -- The next byte of data written to I/O 60h is placed in the controller's Register D.	
D0	Read Output Port -- This command causes the controller to read its output port and place data in its output buffer. This command should be issued only if the output buffer is empty.	
D1	Write Output Port -- The next byte of data written to I/O 60h is placed in the controller's output port.	
D2	Not Valid	Write Keyboard Output Buffer - The next byte of data written to I/O 60h is placed in output buffer as it receive from keyboard.
D3	Not Valid	Write Mouse Output Buffer - The next byte of data written to I/O 60h is placed in output buffer as it receive from mouse.
D4	Not Valid	Write Mouse Device - The next byte of data written to I/O 60h is transmitted mouse device.
D6	Enable P17(KBLOCK) Keyboard Lock Switch (Default)	
D7	Disable P17(KBLOCK) Keyboard Lock Switch, P17 define to I/O by C1 & C7 command	
F0-FF	Pulse Output Port -- Bits 0 through 3 of controller's output port may be pulsed low for approximately 6us. Bits 0 through 3 of this command indicate which bits are to be pulsed. A 0 indicates that the bit should be pulsed, and a 1 indicate the bit should not be modified.	

### 3.12 Integrated VGA Controller

Integrated VGA Controller is a high performance 3-in-1 PCI true-color graphics accelerator with video accelerate functions. Integrated VGA Controller video accelerator could work in 3 different modes: standard FC (Feature Connector) mode, direct video interface mode, and PCI multimedia mode.

Furthermore Integrated VGA Controller could work with SW MPEG Player Programs through DCI driver or Direct Draw driver to provide high performance SW MPEG playback to meet future PC trends.

In direct video mode, Integrated VGA Controller could work with the Philips SAA7110 / SAA7111, Sony CXA1790Q, Brooktree Bt815/817/819A (8-bit SPI mode 1, 2), to provide the PC-Video solution and provide the very flexible overlaying ability mentioned above.

In PCI multimedia mode, Integrated VGA Controller supports PCI multimedia design guide Rev. 1.0 spec to meet future potential trend.

The following block diagram will be shown the internal VGA controller.

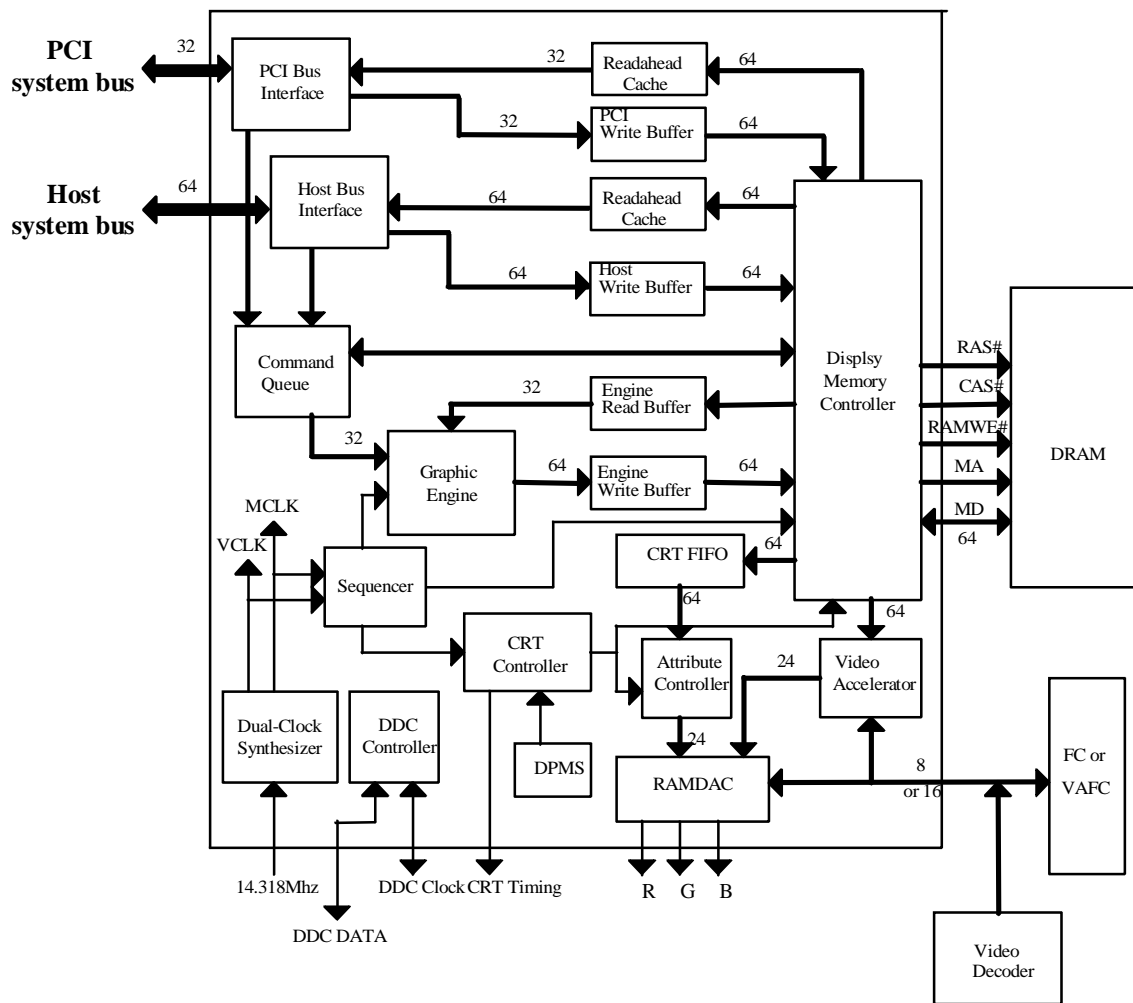


Figure 3-32

### 3.12.1 Host Bus Interface

In order to solve the bottleneck of PCI transaction, VGA controller support a dual bus interface, the PCI bus and HOST bus. With HOST bus, VGA controller can directly intercept the memory and I/O transactions sent from CPU. VGA controller can gain more benefit from the HOST bus transaction because the HOST bus support 64 bits and faster clock rate than the 32 bits and lower clock rate of PCI bus. Furthermore, VGA controller would not share the limited bandwidth of PCI bus with other PCI devices. In current structure, the HOST bus support the memory write, memory read, video playback decimation and engine I/O write transaction. The PCI bus transacts the other cycles and transactions from another PCI master.

The HOST bus contains a post write buffer with 8 Qword which can release the HOST bus as soon as possible after it records the address and data into the post write buffer. The data would queue in the post write buffer until the display memory is available, and then write into the display memory.

The VGA controller support the byte merge function which would merge the sequential bytes from different transactions into one stage of post write buffer. The combining of sequential bytes memory writes has a significant performance benefits for the memory bandwidth. We



also support the smart write function which would intelligently queue more data in the post write buffer for a while, and then write into display memory one times. It would save a lot of display memory bandwidth of memory write. We can program a register bit to determine how many data would keep in the post write buffer.

The HOST bus support a read ahead cache. When CPU sends the sequential address read commands, it would always hit in the read cache and response the data as soon as possible. It also can reduce the access time from display memory.

### **3.12.2 Attribute Controller**

The Attribute Controller formats the display for the screen. Display color selection, text blinking, alternate font selection, and underlining are performed by the Attribute Controller.

### **3.12.3 CRT Controller**

The CRT Controller generates the HSYNC and VSYNC signals required for the monitor, as well as BLANK# signals required by the Attribute Controller.

### **3.12.4 CRT FIFO**

The 64x32 CRT FIFO allows the Display Memory Controller to access the display memory for screen refresh at maximum memory speed rather than at the screen refresh rate. It provides 3 programmable thresholds - CRT/CPU Threshold Low, CRT/CPU Threshold High, and CRT/Engine Threshold High. With adequate programming these three thresholds, the CPU wait-time would be reduced to improve the graphics performance.

### **3.12.5 DDC Controller**

The DDC Controller provides two different channels to communicate with the monitor which supports DDC level 1 or DDC level 2B. One is DDC CLK channel which is bi-directional and provides the clock for DDC. The other is DDC DATA channel which is bi-directional and could query some information from monitor.

With the advantage of DDC, VGA BIOS could realize the capability of the connected monitor and take adequate action (such as to program the parameters for higher frame rate, ..., etc.) to make end users feel more comfortable.

### **3.12.6 Display Memory Controller**

The Display Memory Controller generates timing for display memory. This includes RAS#, CAS#, and multiplexed-address timing, as well as RAMWE#.

### **3.12.7 DPMS**

It provides some registers to control the CRT timing to be compatible with the VESA DPMS specification.

### **3.12.8 Dual-Clock Synthesizer**

The Dual-Clock Synthesizer generates MCLK and VCLK with single external reference clock. With this character, we could set the MCLK at the maximum speed which the display memory could work normally, thus it takes the advantage of the real peak memory bandwidth and improves the graphics performance.

### **3.12.9 Graphics Controller**



It performs text manipulation, data rotation, color mapping, and miscellaneous operations.

### 3.12.10 Graphics Engine

It is an enhanced 64-bit BitBlt Graphics Engine.

For enhanced 256-color graphics mode, the engine supports the following functions:

- \* 256 Raster Operation Functions
- \* Rectangle Fill
- \* Color/Font Expansion
- \* Enhanced Color expansion
- \* Enhanced Font expansion
- \* Line Drawing
- \* **Built-in 8x8 Pattern Registers**
- \* Built-in 8x8 Mask Registers
- \* Direct Draw

For 32K or 64K high-color graphics mode, the engine supports the following functions:

- \* 256 Raster Operation Functions
- \* Rectangle Fill
- \* Color/Font Expansion
- \* Enhanced Color expansion
- \* Enhanced Font expansion
- \* Line Drawing
- \* Built-in 8x8 Mask Registers
- \* Direct Draw

For 16M-color graphics mode, due to different graphics process methods, the engine supports the following functions:

- \* Source/Destination BitBlt
- \* Pattern/Destination BitBlt
- \* Color/Font Expansion
- \* Enhanced Font expansion

Descriptions of the graphics engine functions are summarized as follows:

#### **Bit Block Transfer (BitBlt)**

BitBlt moves a block of data from one location (source) to another location (destination). It is a ternary operation. The operands could be the source data, the destination data, and the brush pattern. There are three different kinds of BitBlt: from the host memory to the display memory, from the display memory to the host memory, and from one location of the display memory to another location of the display memory.

In the first two cases, the operation simply uses the "move string instruction" (REP MOVS) to move the source data to the destination to accomplish the BitBlt operation. It is called "CPU-driven BitBlt".

In the case of moving from the display memory to the display memory, integrated VGA Controller could gain the advantage of its advanced engine design to solve the problems of memory overlapping during the block transfers. The only effort is to program the adequate parameters.

#### **BitBlt with Mask**



When the BitBlt operation deals with the hatched brush pattern, the programmer just needs to set the monochrome mask into Mask Registers and program an adequate BG ROP and Background Color, then the engine would handle the complicated process.

### **Color/Font Expansion**

The color/font expansion is used to expand a monochrome data (one bit per pixel) into a second color format which is n-bit per pixel during a moving operation.

The foreground color and background color is addressed respectively from I/O address 8290h to 8292h and from I/O address 8294h to 8296h. The font patterns are stored in the pattern registers (I/O address 82ACh to 82EBh) or in the off-screen memory which is called Enhanced Color/Font Expansion. These pattern registers store the monochrome bitmap. The BitBlt engine can expand 512 pixels at a time. Thus the font-drawing and monochrome bitmap expansion can be easily accomplished.

### **Enhanced Color Expansion**

If the size of a monochrome bitmap is larger than 512 pixels, there is not enough space in pattern registers to store this bitmap. In this case, the bitmap should be stored in the off-screen display memory instead of the pattern registers. The operation is called Enhanced Color Expansion or Enhanced Font Expansion depended on the data format.

The format written into the off-screen memory of the Enhanced Color Expansion operation is  $m \times n$ .

When the Command 1 Register D[5] (Enhanced Color Expansion Enable Bit, I/O address 82ABh) is set to 1, the Enhanced Color Expansion mode is enable. The SRC Start Linear Address (I/O address 8280h to 8282h) is used to specify the starting address of the off-screen memory. Integrated Graphics Controller stores the monochrome bitmap into the assigned off-screen memory. Therefore the BitBlt engine could explore more pixels by using the Enhanced Color Expansion.

### **Enhanced Font Expansion**

The Enhanced Font Expansion is very similar to the Enhanced Color Expansion. The major difference is the format stored in the off-screen memory. The format written into the off-screen memory of the Enhanced Font Expansion operation is  $8 \times n$ .

When the Command 1 Register D[4] (Enhanced Font Expansion Enable Bit, I/O address 82ABh) is set to 1, the Enhanced Font Expansion mode is enable. The SRC Start Linear Address (I/O address 8280h to 8282h) is used to specify the start address of the off-screen memory. Integrated Graphics Controller stores the monochrome bitmap into off-screen memory byte by byte successively. Therefore the BitBlt engine would expand these pixels by using the Enhanced Font Expansion.

### **Line Drawing**

The Bresenham's Line Algorithm is a well popular algorithm in graphics, which is used to draw a line. The drawing line could be either a solid line or a dashed line. To draw a solid line, we must use one solid foreground color. To draw a dashed line, we'll use two colors specified by the foreground and background color registers. There are several registers involved to control the starting location, pixel count, error term, and line style, etc.

### **Rectangle Fill**

A rectangle area fill is a function to fill a specified rectangle area by using either a solid color (rectangle fill) or a pattern (pattern fill).



Rectangle Fill is simply to fill the destination rectangle with a solid color. The solid color is specified into the foreground color register.

Pattern Fill repeats a source pattern into a destination rectangle. Therefore the pattern registers (I/O address 82ACh to 82EBh) must be specified. The pattern often consists of a background and foreground color because the color expansion would be used in conjunction with the pattern fill.

**Raster Operations (Raster Ops or ROPs)**

Raster Ops would perform some logical or arithmetic operations on the graphics data. There are 256 raster ops defined by Microsoft. Each raster op code is a Boolean operation with three operands: the source, the selected pattern, and the destination.

**Direct Draw**

The Windows 95 Game SDK enables the creation of world class computer games. Direct Draw is a component of that SDK that allows direct manipulation of video display memory. In order to enhance the performance of games, Integrated VGA Controller provides some Direct Draw functions.

Since the former engine functions can just support part of Direct Draw capabilities, three new functions are added into the graphics accelerator in order to meet the other Direct Draw functions. They are color key range comparison, alpha blending, and Direct Draw raster operation.

The register format for Direct Draw is different from those of the engine's functions listed above.

To enable Direct Draw, the Direct Draw enable bits must be set to "11". Once Direct Draw is enabled, all of the engine operations are under the "Read-Modify-Write" mode. That is, the destination data have to be read from memory for processing before being written back.

After receiving the destination data, the source and destination data are sent to the color key range comparators to determine whether they are between the high and low color key values. If they are in the color key range, the Direct Draw raster operation (D\_Rop) will determine whether the data after alpha blending or the original destination will be written back to memory.

There are two control bits for alpha blending. They are the S\_Alpha bit and D\_alpha Bit. The table below shows the relationship between these two control bits and the data after alpha blending.

S_Alpha	D_Alpha	Data after Alpha Blending
0	0	Source
0	1	Destination
1	0	Source
1	1	(Source+Destination)/2

**3.12.11 RAMDAC**

The RAMDAC contains the color palette and 24-bit true color DAC.

The color palette contains 256 24-bit entries.

In indirect color modes, it can convert a color code that specifies the color of a pixel into three 6-bit values, one each for red, green, and blue.





In direct color modes, it can convert each three R, G, B values into three 8-bit values when SR6 bit 3 set to 1. Which can perform the Gamma correction function.

In the 24-bit true color DAC is designed for direct color graphics mode. It converts each digital color value to three analog voltages for red, green, and blue.

#### **3.12.12 Read-ahead Cache**

It is a 128-bit cache. With this cache, the times of the operation of display memory read would be reduced, thus increase the performance.

#### **3.12.13 Write FIFO**

The Write FIFO contains a queue of CPU write accesses to display memory that have not been executed because of memory arbitration. With this queue, the Integrated VGA Controller will release CPU as soon as it records the address and data, and then write into display memory when the display memory is available. Thus CPU performance is increased.

#### **3.12.14 Bus Interface**

The Integrated VGA Controller dedicatedly supports 32-bit PCI Local Bus Standard Revision 2.1. Furthermore Integrated VGA Controller supports PCI burst write to take advantage of PCI bus advanced feature to further improve performance. But PCI burst read is not supported since it has very little impact on performance in graphics application.

#### **3.12.15 DRAM Support**

Integrated VGA Controller supports 0.5 MB, 1 MB, 1.5 MB, 2 MB, 2.5 MB, 3 MB, 3.5 MB, and 4 MB FPM/EDO DRAM and Synchronous DRAM configuration. SiS chip will assert the RAS0#/CS#, MA0A, MA1A, SCAS0# and SRAS0# (memory Bank0) when the integrated VGA controller access the main memory.



### 3.12.16 Video Memory Data Bus Architecture

The Integrated VGA Controller uses the 64-bit DRAM data bus with peak video memory bandwidth of 220 MByte/sec for FPM DRAM with 55Mhz MCLK.

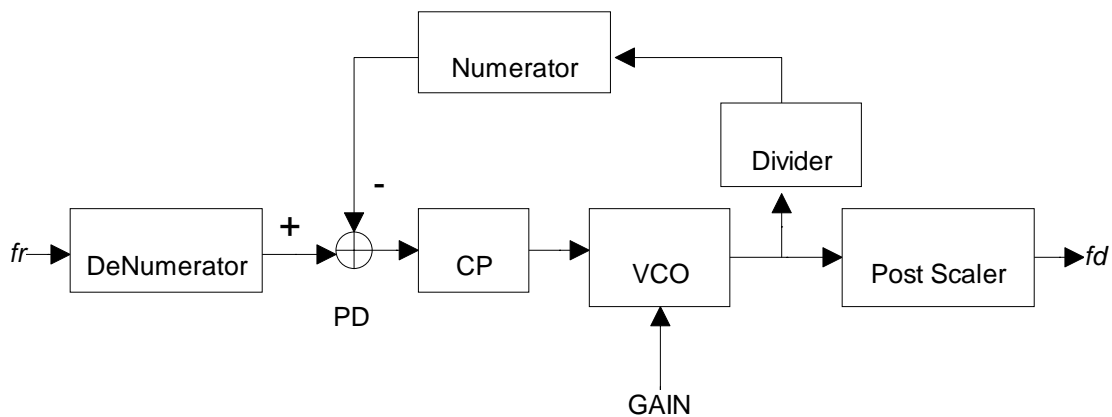
In 2MByte DRAM configuration, Integrated VGA Controller can support 1024x768x32K color, 1024x768x64K color, and 800x600x16M color resolutions with no degradation in the graphics performance.

In 4MByte DRAM configuration, Integrated VGA Controller can support 1024x768x16M color, 1280x1024x32K color, and 1280x1024x64K color resolutions. These resolutions are not easily implemented by the regular Graphics Controller architecture.

### 3.12.17 Internal Dual-Clock Synthesizer

Integrated VGA Controller has built-in a dual-clock synthesizer to generate the MCLK and VCLK. This clock synthesizer could generate several variable frequencies, thus it could provide the flexibility for selecting the working frequency.

The following block diagram is for clock synthesizer:



where PD is phase detection,  
 CP is charge pump,  
 VCO is voltage controlled oscillator,  
 fr is reference frequency, and  
 fd is desired frequency.

The operation of clock synthesizer is described as follow:

When the synthesizer outputs the steady frequency, it means that

$$fr/DeNumerator = fd*Post Scaler / (Divider*Numerator).$$

i.e.

$$fd=fr*(Numerator/DeNumerator)*(Divider/Post Scaler).$$

With this formula, we could select adequate values for Numerator, DeNumerator, Divider, and Post Scaler to obtain the desired frequency.

The planned Video Clocks (VCLK) are as follow: (units: MHz)

25.175	28.322	40.000	50.000	77.000
36.000	44.889	135.000	120.000	80.000
31.500	110.000	65.000	75.000	94.500



These frequencies are compatible with ICS2494-275 or -280.  
Other video clocks would be added to the scheme after verified OK.

The planned Memory Clocks (MCLK) are from 50 MHz to 80 MHz with resolution 2 MHz.  
Higher memory clocks would be added after verified OK.

### 3.12.18 Power Management

To satisfy the power saving for Green PC, Integrated VGA Controller supports the control protocol of DPMS (Display Power Management Signaling) proposed by VESA Monitor Committee. This protocol can reduce the VGA Monitors' power consumption.

Integrated VGA Controller has built-in two timers for stand-by and suspend modes that can be programmed from 2 minutes to 30 minutes (2 min./increase) with the extended registers.

Integrated VGA Controller also supports forcing the video subsystem into stand-by, suspend, or off modes with the extended registers.

Power saving is done by blocking HSYNC and/or VSYNC signals to the VGA monitor. The sources of wake-up are from the monitoring of keyboard, hardware cursor, and/or video memory read/write. The overview of the signal blocking requirements are as follows:

POWER MANAGEMENT STATE	HORIZONTAL SYNC	VERTICAL SYNC	VIDEO DISPLAY
ON	Pulses	Pulses	Yes
Stand-By	No Pulses	Pulses	No
Suspend	Pulses	No Pulses	No
OFF	No Pulses	No Pulses	No

### 3.12.19 Advanced Configuration and Power Interface Specification (ACPI)

In order to achieve power saving for Green PC , VGA controller support ACPI specification . When the OS determines that the graphics display is no longer needed , it will assert the GR\_SUS# signal to place the graphics subsystem in the D3 power off state . In this low power state , the VGA controller will firstly check whether the PCI\_bus state machine , the HOST\_bus state machine , the DRAM state machine and the ENGINE state machine are on the idle state . If these conditions meet , the VGA controller will deassert HSYNC , VSYNC and let Line-buffer, SRAM and DAC sequencely enter the low power state and then gate off the internal clocks like memory clock and video clock . In addition to gate off above internal clocks , we also gate off the rapidly changed signals like PCI data and HOST data and deassert the PCI device select signal and the HOST device select signal , i.e , the VGA controller will completely isolated form the PCI\_bus and HOST\_bus . Finally , The OS will deassert the GR\_CLKPWR# signal to remove power from the graphics clock generator .

When a wake-up event occurred , VGA controller must enter to Power-On state in sequence. It will firstly assert the GR\_CLKPWR# signal to supply power to the graphics clock generator and then turn on internal clocks . When the VGA controller delay some fixed time to stabilize the power supply , it will deassert the GR\_SUS# signal to turn on Line-buffer , SRAM , DAC , HSYNC and VSYNC.

Note that the GR\_SUS# and GR\_CLKPWR# are the internal signals.



### 3.12.20 Resolutions Supported

Resolution	0.5 MB	1 MB	1.5 MB	2 MB	2.5 MB	3MB	3.5 MB	4 MB
640x480x8	*	*	*	*	*	*	*	*
640x480x16		*	*	*	*	*	*	*
640x480x24		*	*	*	*	*	*	*
800x600x4	*	*	*	*	*	*	*	*
800x600x8	*	*	*	*	*	*	*	*
800x600x16		*	*	*	*	*	*	*
800x600x24			*	*	*	*	*	*
1024x768x4	*	*	*	*	*	*	*	*
1024x768x8		*	*	*	*	*	*	*
1024x768x16			*	*	*	*	*	*
1024x768x24					*	*	*	*
1280x1024x4		*	*	*	*	*	*	*
1280x1024x8			*	*	*	*	*	*
1280x1024x16						*	*	*

Except these real resolution modes, Integrated VGA Controller is also built-in virtual screen mode which could support up to 2048x2048 resolution.

### 3.12.21 Turbo Queue

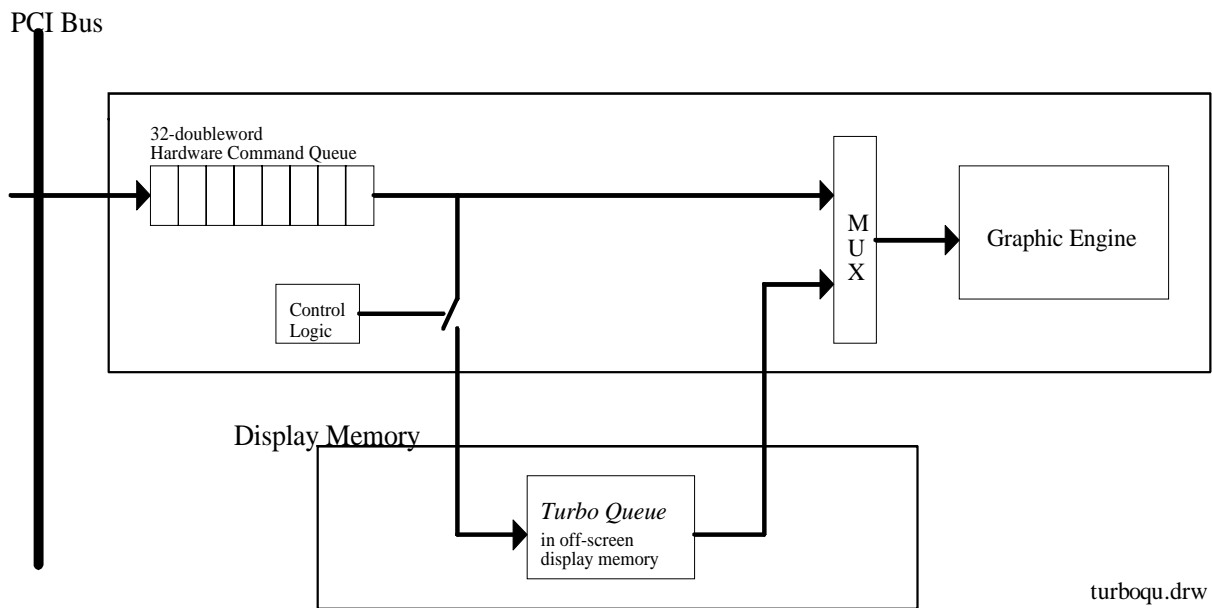
In Integrated VGA Controller, the graphics engine performs the acceleration functions via the acceleration commands stored in the command queue. The command queue is a FIFO (First In First Out) and ring structure. i.e. If an acceleration command is filled in the last stage of the command queue, then the following acceleration command would be filled in the first stage of the command queue.

Once this command queue is congested, the CPU's request will be pending until the command queue has free space to accept more acceleration commands. This would downgrade the graphics system performance severely. Thus the length of command queue will dominate the performance of the graphics engine.

To lengthen the command queue as long as required, Integrated VGA Controller provides two different kinds of command queue. The first one is built in Integrated VGA Controller, which is called Hardware Command Queue. The other one is built in the off-screen display memory, which is called Turbo Queue.

The Hardware Command Queue is a 32 doublewords queue built in front of the graphics engine. Since the average length of an engine command is 8 doublewords, it could be regarded as 5 stages command queue, the first one is in the active state and the last four are in the wait states.

The Turbo Queue is an extraordinary structure developed and patent pending by SiS Corp. The system configuration of the two command queues and the graphics engine is shown in the following diagram.



**Figure 3-33 Turbo Queue Architecture**

The Turbo Queue is also a FIFO and ring structure as stated before. The size of the Turbo Queue in Integrated VGA Controller is 32K bytes. Thus the stages of graphics engine could be regarded as infinity. It could get rid of the disadvantages of the CPU waiting problems due to the limited length of command queue and It could get extra high graphics performance.

To program the extended register SR2C (Turbo Queue Base Address Register) could allocate the Turbo Queue into the off-screen region of the display memory automatically. Once the commands in the Hardware Command Queue were moved into the Turbo Queue, the free space in the Hardware Command Queue could be vacated to store the next acceleration command and the condition of CPU waiting could be avoided. If both the command queues are not empty, the graphics engine would perform the commands in Turbo Queue first until Turbo Queue is empty.

### 3.12.22 Video Accelerator

#### Video Password/Identification Register

A video registers protection is implemented in the index 80h of CRT index register 3D4. To disable the protection, the software must first match the protection key value of 86h. If not match, read/write to any of the video associated registers are denied.

#### Video Capture and PlayBack

Integrated VGA Controller video accelerator can work in three different modes: standard FC (feature connector) mode, direct video mode, and PCI multimedia mode.

**In standard FC mode,** Integrated VGA Controller supports standard FC operation.

**In direct video mode,** Integrated VGA Controller could work with the Philips SAA7110 / SAA7111, Sony CXA1790Q, and Brooktree Bt815/817/819A (8-bit SPI mode 1, 2) to provide the PC-Video solution and provide the very flexible overlaying ability mentioned above.

**In PCI multimedia mode,** Integrated VGA Controller supports PCI multimedia design specification to meet future potential trend.

Integrated VGA Controller also supports the industry standard FC spec to provide a standard video link to the third-parties' video adapters.

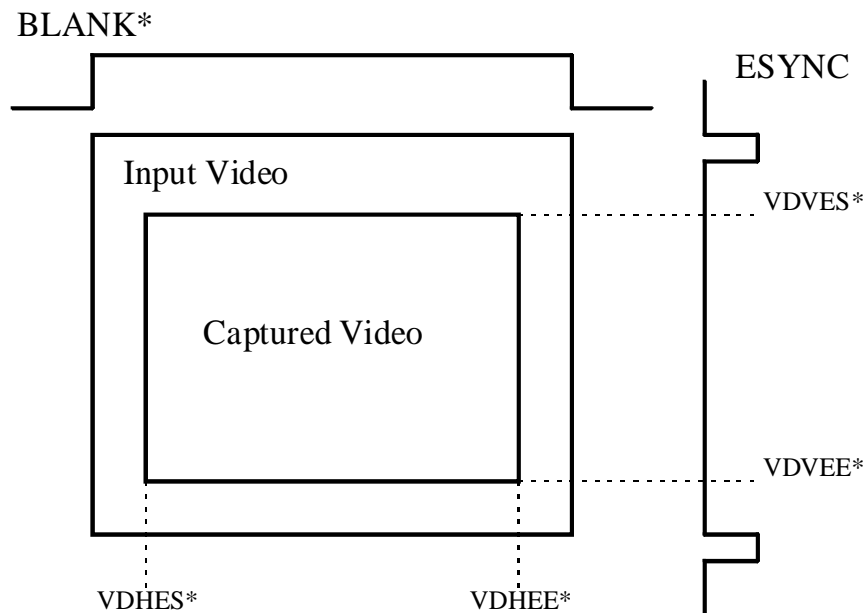
Furthermore in PCI multimedia mode, Integrated VGA Controller supports PCI multimedia design guide Rev. 1.0 spec to meet future potential trend.

### Feature Connector Interface

In standard feature connector mode, Integrated VGA Controller would transfer the graphics data to the connected video adapter for overlay and can accept the video data from the connected video adapter.

The data input/output direction of Integrated VGA Controller is controlled by the ESYNC, EVDCLK, EVIDEO pins and is automatically controlled by BIOS.

### Video Capture Window



Integrated VGA Controller provides video capture windowing to select a part of input video to be captured into video frame buffer. This capture window is defined by four parameter: video data horizontal start (VDHES), video data horizontal end (VDHEE), video data vertical start (VDVES), and video data vertical end (VDVEE).

There are the video data horizontal counter and the video data vertical counter inside Integrated VGA Controller. The video data horizontal counter is reset at the positive edge of signal BLANK# and counted up by PCLK. The video data vertical counter is reset at the positive edge of ESYNC and counted up by positive of BLANK#. When the value of the video data horizontal counter is equal to or greater than VDHES and the video data vertical counter is equal to or greater than VDVES, the video data capture starts or continues. After the value of the video data horizontal counter is equal to or greater than VDHEE or the video data vertical counter is equal to or greater than VDVEE, the video capture ends.

### Video Captured Down Scaling

Integrated VGA Controller provides independent X-Y down scaling of the captured video image in integer increments of 1/64. Images may be scaled down to n/64 ( $n = 1 \sim 64$ ) of the original image size to support video icons for graphics user interfaces, or to reduce the memory bandwidth. The scaling factor is controlled by HDSF and VDSF, which ranging from 0 to 63, and the scaling factors are  $(64-HDSF)/64$  in horizontal and  $(64-VHSF)/64$  in vertical.



### Video Capture FIFO

The scaled-down video data would be fed into the video capture FIFO before being stored to display memory. The 64x16 video capture FIFOs serve as buffers between the video capture mechanisms and the display memory, are provided to fit the bandwidth limitation of the display memory during video image capture operation.

### Multi-format Video Frame Buffer

The video frame buffer of Integrated VGA Controller is shared with graphics frame buffer and is a multi-format frame buffer. It could accept 16-bpp YUV422, RGB555, and RGB565 and 12-bpp YUV420(plane mode) color format.

The decompression CODEC, hardware or software, could fill the valid decompressed video frame data into the off-screen video frame buffer through the PCI local bus.

The other PCI motion video card or CPU can transfer the video data through PCI local bus directly into video frame buffer.

Thus Integrated VGA Controller can overlay the video on the screen.

### YUV420 plane mode

Integrated controller supports YUV420 plane mode. The data rate of YUV420 is 12-bpp which is smaller than 16-bpp of YUV422. So that the data bandwidth can be reduced and improve the video playback performance. The YUV420 mode need three start address for Y, U and V plane, and two offset for Y and U,V plane.

### Video Playback Line Buffers

When CRT refresh the screen, the video data must be overlaid with graphics data. Therefore the video data would first be read out from off-screen video frame buffer into the video playback line buffers for further handling.

The video playback line buffers serve as buffers between display memory and the playback mechanisms, are provided to fit the limitation of the display memory during video playback operation.

When video playback function is disabled, the line buffers can be used as CRT FIFO to increase the CRT FIFO size to 2k bytes.

### Color Space Conversion & Color Format Conversion

If the data read from the video frame buffer is in YUV422, the real time YUV-to-RGB converter will be turn on. The video data would be converted to RGB888 format for successive processing. The YUV422 are converted following the CCIR601-2 standard.

If the data read from the video frame buffer is in RGB format, the YUV-to-RGB converter would be bypassed. All the RGB565 and RGB555 format are supported and then would be converted to RGB888 format.

### Horizontal Interpolation DDA

The DDA (Digital Differential Accumulator) using the following mathematical calculation with 2-tap, N-phase and scaling up factor UFACT (from J points scaling up to J \* UFACT points):

$$\begin{aligned} \text{Destination}[i] &= (1 - \text{Weight}) * \text{Source}[j] + \text{Weight} * \text{Source}[j+1] \\ j &= \text{TRUNC}(i / \text{UFACT}) \\ \text{Weight} &= \text{TRUNC}(i / \text{UFACT}) - j \end{aligned}$$



However since the Weight" is not an integer, the multiplication is hard to implement and therefore the following Weight is used for calculation.

$$\text{Weight} = \text{TRUNC}(\text{Weight}'' * N) / N$$

The Integrated VGA Controller built-in an X-interpolation DDA mechanism to get better video stretching quality. The interpolation accuracy of DDA mechanism is 2-tap and 8-phase.

#### **Vertical Interpolation DDA**

The Integrated VGA Controller built-in a Y-interpolation DDA mechanism and two line buffers mechanism to get better video stretching quality. The interpolation accuracy of DDA mechanism is 2-tap and 8-phase.

#### **Video Playback Horizontal Zooming**

The playback video data can be horizontal zoom-in in 64/n factor (n = 1 ~ 64) and zoom-out in about m/16 factor (m = 1 ~ 16). The zooming factor (HPFACT) is controlled by 4-bit integer part and 6-bit fraction part. The horizontal video size will be zoomed to 1/HPFACT. If HPFACT<1, it will performing horizontal up scaling. If HPFACT>1, it will performing horizontal down scaling.

#### **Video Playback Vertical Zooming**

The playback video data can be vertical zoom-in in 64/n factor (n = 1 ~ 64) and zoom-out in arbitrary factor. The zooming factor (VPFACT) is controlled by 6-bit fraction part. The video size will be zoomed to 1/VPFACT. Since the VPFACT is always less than 1, therefore you can only perform vertical up scaling by this factor. The vertical down scaling can be done by multiplying the Video Frame Buffer Offset with an integer I. Then the vertical video size will be zoomed to 1/(I\*VPFACT).

#### **Video Data Blending**

The pixels of graphics data can be blended by graphics data alpha value, then add with the blended video data to generate blended data. The accuracy of the blending is 4 bits, the 4 MSBs of Graphic data alpha value register.

The pixels of video data can be blended by video data alpha value, then add with the blended graphics data to generate blended data. The accuracy of the blending is 4 bits, the 4 MSBs of Video data alpha value register.

#### **Color Keying**

A control signal is generated by comparing the 24 bits graphics data to the 24 bits color key low value and 24 bits color key high value. The bit number is dependent on color depth used. If the graphics data value is between the two color key values ( all of three RGB parts), the color key is detected. This comparison mechanism can be disable by setting the video window size to zero, i.e. X-start=0, X-end=0, Y-start=0, and Y-end=0.

#### **Chroma Keying**

A control signal is generated by comparing the 24 bits video data to the 24 bits chroma key low value and 24-bit chroma key high value. The chroma key can be YUV or RGB format. If the video data value is between two chroma key values ( all of three RGB or YUV parts), the chroma key is detected.





### Graphics & Video Overlay

The overlay of the graphics data and the video data is performed by color keying and chroma keying method. The overlay operation is set by Key Overlay Operation Mode Register. The operation is defined below:

Operation Mode	Operation
0000	always select graphics data
0001	select blended data when color key and chroma key, otherwise select graphics data
0010	select blended data when color key and not chroma key, otherwise select graphics data
0011	select blended data when color key, otherwise select graphics data
0100	select blended data when not color key and chroma key, otherwise select graphics data
0101	select blended data when chroma key, otherwise select graphics data
0110	select blended data when color key xor chroma key, otherwise select graphics data
0111	select blended data when color key or chroma key, otherwise select graphics data
1000	select blended data when not color key and not chroma key, otherwise select graphics data
1001	select blended data when color key xnor chroma key, otherwise select graphics data
1010	select blended data when not chroma key, otherwise select graphics data
1011	select blended data when color key or not chroma key, otherwise select graphics data
1100	select blended data when not chroma key, otherwise select graphics data
1101	select blended data when not color key or chroma key, otherwise select graphics data
1110	select blended data when not color key or not chroma key, otherwise select graphics data
1111	always select blended data

### Video Window Control Registers

The video window area is defined by six registers that specify a rectangular region by X-start, X-end, Y-start, and Y-end (X: Horizontal, Y: Vertical).

The location of the video window is referenced to the VGA sync signals.

The size of the video window is defined in VGA pixels and lines.

### Video Panning

The displayed video image could be panned around the captured video image by setting the video display starting address. i.e. You may selectively display any part of the captured video image. The video display starting address is equal to the video frame buffer starting address adds the panning offset.





### Overlay Memory Data

The display memory is configured to two areas: one is the graphics area (which is the actual screen display area) storing graphics pixel data, and the other is the video area (which is also called off-screen area) storing the video pixel data.

In the graphics area, the corresponding video window area is reserved with the color key value. During the CRT scan period, a comparison of graphics data with color key data is performed. Once a match meet, the CRT output path would be switched from graphics path to video path to display the video data.

When the shared-memory architecture is used, the video frame buffer could be anywhere of the system memory, independent with the location of the graphics frame buffer. This provides more flexibility for video control application program. The video frame buffer should be set to Non-Cacheable and non-swapable.

#### 3.12.23 Video Playback Contrast Enhancement and Brightness Control

To achieve higher video quality, the Integrated VGA Controller built-in the Contrast Enhancement and Brightness Control mechanism.

For Contrast Enhancement, first, the brightness mean value is calculated by some pixels and some frames. The number of sampled pixels and frames is programmable by registers. Contrast Enhancement mechanism then increases the difference between the video data and mean value. The increasing rate is programmed by gain. The value of gain is from 1.0 to 1.4375.

The Brightness of video data can also be controlled. The Brightness is a 2's complement value from -128 to +127. This value is then added with the video data to increase or decrease the brightness of video.

#### 3.12.24 Video CPU Write Data Decimation

The DRAM bandwidth is not enough under some high resolution and high color depth graphics modes, so the video overlay cannot perform under these modes. The Video CPU Write Data Decimation mechanism can decimate two continuous pixels of video to one pixel to reduce the video bandwidth. The video performance can be improved but video quality will be downgraded slightly.

#### 3.12.25 Signature Analysis

The signature analysis is provided to automatically test the graphics data which is the input of the DAC. This technique is based on the concept of cyclic redundancy checking (CRC) and is realized in hardware using linear feedback shift registers (LFSRs). It is composed of a 24-bit signature generator register which is called multiple-input signature register (MISR, shown in the following figure) and is used to ensure a unique signature of different patterns.

For a given test image, the signature analysis could get a right unique signature number. If an error occurs in the controller or the data manipulation, it would result in a different wrong signature number as compared to the pre-calculated signature value. Thus a test technician could sort the good or bad chips more quickly and accurately and requires no visual inspection of the screen for errors in the mass product environment. This could save significant testing time. If the display screen includes blinking attributes or a blinking cursor, then the signature

will be different when blink-off and blink-on for those frames. Assume all error patterns are equally likely, then the probability of failing to detect an error by the MISR is approximately 0.0000000596.

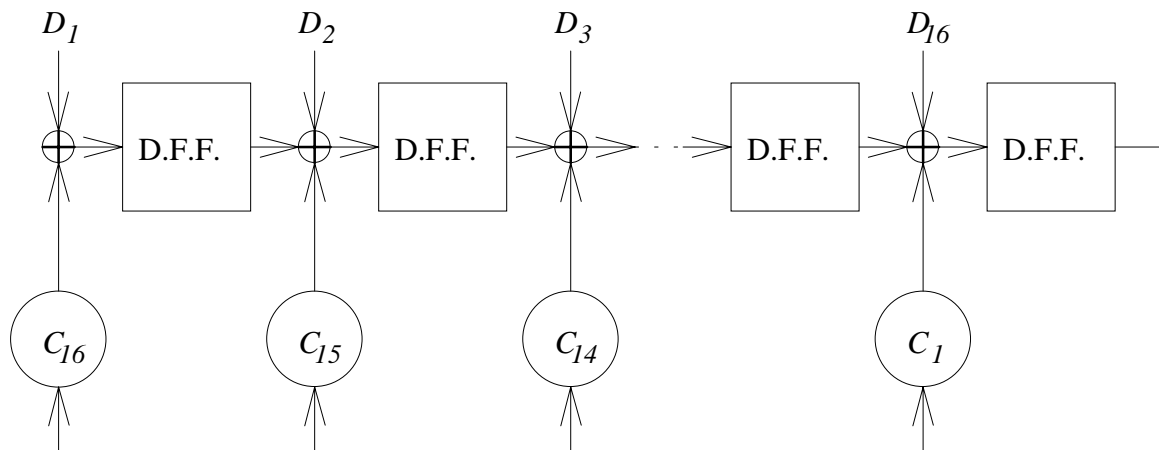
To match the inputs of MISR, the 24-bit graphics data (i.e. the input of the DAC of the RAMDAC) would be first converted into 16-bit data. The corresponding transfer function of the MISR of the following figure is

$$p(x) = 1 + a_1x + a_2x^2 + a_3x^3 + \dots + a_n x^n$$

where can be either 0 or 1. Integrated VGA Controller sets the parameters of the signature register as

$$p(x) = 1 + x^{20} + x^{21} + x^{23} + x^{24}$$

Once the software enables the signature analysis function, Integrated VGA Controller could test itself intelligently and automatically. This function could also be disabled by the extended control register for power saving purposes.



**Figure 3-34 Multi-Input Signature Register (MISR)**

### 3.12.26 Compatibility

The Integrated VGA Controller is fully compatible with all standard IBM VGA modes and EGA, CGA, MDA, and Hercules modes.

### 3.12.27 Software Support

To fully utilize and support the Integrated VGA Controller hardware features, SiS has developed a high-performance VESA extension compliant BIOS.

Extended graphics and text modes are supported by software application drivers developed by SiS. The following applications are currently supported:

- \* 3D Studio Ver. 3.0 & 4.0
- \* AutoCAD/386 Release 11, 12, 13
- \* Auto Shade/386 Ver. 2.0
- \* GEM 3.0/Ventura 2.0
- \* Lotus 1-2-3/Symphony Ver. 3.x
- \* MicroSoft Windows 3.1
- \* MicroSoft Windows 95
- \* MicroSoft Windows NT Ver. 3.1 & 3.5
- \* OrCad (SDT/VST/PCB) Rel 4
- \* OS/2 Presentation Manager 2.1 & 3.0



- \* P-CAD Ver. 6.06
- \* VersaCAD/386 Ver. 2.1
- \* Word Perfect 5.x & 6.0

Video operation are supported by software application drivers developed by SiS. The following applications are currently supported:

- \* Microsoft Video For Windows
- \* DCI driver
- \* Direct Draw driver

### 3.12.28 Mode Table

#### Standard VGA Modes

MODE	TYPE	DISPLAY SIZE	COLORS SHADES	ALPHA FORMAT	BUFFER START	BOX SIZE	MAX. PAGES
0	A/N	320x200	16	40x25	B800	8x8	8
0*	A/N	320x350	16	40x25	B800	8x14	8
0+	A/N	360x400	16	40x25	B800	9x16	8
1	A/N	320x200	16	40x25	B800	8x8	8
1*	A/N	320x350	16	40x25	B800	8x14	8
1+	A/N	360x400	16	40x25	B800	9x16	8
2	A/N	640x200	16	80x25	B800	8x8	8
2*	A/N	640x350	16	80x25	B800	8x14	8
2+	A/N	720x400	16	80x25	B800	9x16	8
3	A/N	640x200	16	80x25	B800	8x8	8
3*	A/N	640x350	16	80x25	B800	8x14	8
3+	A/N	720x400	16	80x25	B800	9x16	8
4	APA	320x200	4	40x25	B800	8x8	1
5	APA	320x200	4	40x25	B800	8x8	1
6	APA	640x200	2	80x25	B800	8x8	1
7	A/N	720x350	4	80x25	B000	9x14	8
7+	A/N	720x400	4	80x25	B000	9x16	8
0D	APA	320x200	16	40x25	A000	8x8	8
0E	APA	640x200	16	80x25	A000	8x8	4
0F	APA	640x350	2	80x25	B000	8x14	2
10	APA	640x350	16	80x25	A000	8x14	2
11	APA	640x480	2	80x30	A000	8x16	1
12	APA	640x480	16	80x30	A000	8x16	1
13	APA	320x200	256	40x25	A000	8x8	1

NOTE: 1. A/N: Alpha/Numeric  
 2. APA: All Point Addressable (Graphics)

MODE	DISPLAY SIZE	COLORS SHADES	FRAME RATE.	H-SYNC.	VIDEO FREQ.
0	320x200	16	70	31.5 K	25.1 M
0*	320x350	16	70	31.5 K	25.1 M
0+	360x400	16	70	31.5 K	28.3 M
1	320x200	16	70	31.5 K	25.1 M



MODE	DISPLAY SIZE	COLORS SHADES	FRAME RATE.	H-SYNC.	VIDEO FREQ.
1*	320x350	16	70	31.5 K	25.1 M
1+	360x400	16	70	31.5 K	28.3 M
2	640x200	16	70	31.5 K	25.1 M
2*	640x350	16	70	31.5 K	25.1 M
2+	720x400	16	70	31.5 K	28.3 M
3	640x200	16	70	31.5 K	25.1 M
3*	640x350	16	70	31.5 K	25.1 M
3+	720x400	16	70	31.5 K	28.3 M
4	320x200	4	70	31.5 K	25.1 M
5	320x200	4	70	31.5 K	25.1 M
6	640x200	2	70	31.5 K	25.1 M
7*	720x350	4	70	31.5 K	28.3 M
7+	720x400	4	70	31.5 K	28.3 M
0D	320x200	16	70	31.5 K	25.1 M
0E	640x200	16	70	31.5 K	25.1 M
0F	640x350	2	70	31.5 K	25.1 M
10	640x350	16	70	31.5 K	25.1 M
11	640x480	2	60	31.5 K	25.1 M
12	640x480	16	60	31.5 K	25.1 M
13	320x200	256	70	31.5 K	25.1 M

NOTE: i - interlaced mode  
n - noninterlaced mode

**Enhanced Video Modes**

MODE	TYPE	DISPLAY SIZE	COLORS SHADES	ALPHA FORMAT	BUFFER START	BOX SIZE	MAX. PAGES
22	A/N	1056x352	16	132x44	B800	8x8	2
23	A/N	1056x350	16	132x25	B800	8x14	4
24	A/N	1056x364	16	132x28	B800	8x13	4
25	APA	640x480	16	80x60	A000	8x8	1
26	A/N	720x480	16	80x60	B800	9x8	3
29	APA	800x600	16	100x37	A000	8x16	1
2A	A/N	800x600	16	100x40	B800	8x15	4
2D	APA	640x350	256	80x25	A000	8x14	1
2E	APA	640x480	256	80x30	A000	8x16	1
2F	APA	640x400	256	80x25	A000	8x16	1
30	APA	800x600	256	100x37	A000	8x16	1
37	APA	1024x768	16	128x48	A000	8x16	1
38	APA	1024x768	256	128x48	A000	8x16	1
39	APA	1280x1024	16	160x64	A000	8x16	1
3A	APA	1280x1024	256	160x64	A000	8x16	1
40	APA	320x200	32K	40x25	A000	8x8	1
41	APA	320x200	64K	40x25	A000	8x8	1
42	APA	320x200	16.8M	40x25	A000	8x8	1



MODE	TYPE	DISPLAY SIZE	COLORS SHADES	ALPHA FORMAT	BUFFER START	BOX SIZE	MAX. PAGES
43	APA	640x480	32K	80x30	A000	8x16	1
44	APA	640x480	64K	80x30	A000	8x16	1
45	APA	640x480	16.8M	80x30	A000	8x16	1
46	APA	800x600	32K	100x37	A000	8x16	1
47	APA	800x600	64K	100x37	A000	8x16	1
48	APA	800x600	16.8M	100x37	A000	8x16	1
49	APA	1024x768	32K	128x48	A000	8x16	1
4A	APA	1024x768	64K	128x48	A000	8x16	1
4B	APA	1024x768	16.8M	128x48	A000	8x16	1
4C	APA	1280x1024	32K	160x64	A000	8x16	1
4D	APA	1280x1024	64K	160x64	A000	8x16	1

NOTE: 1. A/N: Alpha/Numeric  
 2. APA: All Point Addressable (Graphics)

MODE	DISPLAY SIZE	COLORS SHADES	FRAME RATE.	H-SYNC.	VIDEO FREQ.
22	1056x352	16	70	30.5 K	40.0 M
23	1056x350	16	70	30.5 K	40.0 M
24	1056x364	16	70	30.5 K	40.0 M
25	640x480	16	60	31.5 K	25.1 M
26	720x480	16	60	31.5 K	25.1 M
29	800x600	16	56	35.1 K	30.0 M
29*	800x600	16	60	37.9 K	40.0 M
29+	800x600	16	72	48.0 K	50.0 M
29#	800x600	16	75	46.8 K	50.0 M
29##	800x600	16	85	53.7 K	56.3 M
2A	800x600	16	56	35.1 K	36.0 M
2D	640x350	256	70	31.5 K	25.1 M
2E	640x480	256	60	31.5 K	25.1 M
2E*	640x480	256	72	37.9 K	31.5 M
2E+	640x480	256	75	37.5 K	31.5 M
2E++	640x480	256	85	43.4 K	36.0 M
2F	640x400	256	70	31.5 K	25.1 M
30	800x600	256	56	35.1 K	36.0 M
30*	800x600	256	60	37.9 K	40.0 M
30+	800x600	256	72	48.0 K	50.0 M
30#	800x600	256	75	46.8 K	50.0 M
30##	800x600	256	85	53.7 K	56.3 M
37i	1024x768	16	87	35.5 K	44.9 M
37n	1024x768	16	60	48.4 K	65.0 M
37n+	1024x768	16	70	56.5 K	75.0 M
37n#	1024x768	16	75	60.2 K	80.0 M
37n##	1024x768	16	85	68.7 K	94.5 M
38i	1024x768	256	87	35.5 K	44.9 M



MODE	DISPLAY SIZE	COLORS SHADES	FRAME RATE.	H-SYNC.	VIDEO FREQ.
38n	1024x768	256	60	48.4 K	65.0 M
38n+	1024x768	256	70	56.5 K	75.0 M
38n#	1024x768	256	75	60.2 K	80.0 M
38n##	1024x768	256	85	68.7 K	94.5 M
39i	1280x1024	16	87	48.8 K	80.0 M
39n	1280x1024	16	60	65.0 K	110.0 M
39n+	1280x1024	16	75	80.0 K	135.0 M
3Ai	1280x1024	256	87	48.8 K	80.0 M
3An	1280x1024	256	60	65.0 K	110.0 M
3An+	1280x1024	256	75	80.0 K	135.0 M
40	320x200	32K	70	31.5 K	25.1 M
41	320x200	64K	70	31.5 K	25.1 M
42	320x200	16.8M	70	31.5 K	25.1 M
43	640x480	32K	60	31.5 K	25.1 M
43*	640x480	32K	72	37.9 K	31.5 M
43+	640x480	32K	75	37.5 K	31.5 M
43++	640x480	32K	85	43.4 K	36.0 M
44	640x480	64K	60	31.5 K	25.1 M
44*	640x480	64K	72	37.9 K	31.5 M
44+	640x480	64K	75	37.5 K	31.5 M
44++	640x480	64K	85	43.4 K	36.0 M
45	640x480	16.8M	60	31.5 K	25.1 M
45*	640x480	16.8M	72	37.9 K	31.5 M
45+	640x480	16.8M	75	37.5 K	31.5 M
45++	640x480	16.8M	85	43.4 K	36.0 M
46	800x600	32K	56	35.1 K	36.0 M
46*	800x600	32K	60	37.9 K	40.0 M
46+	800x600	32K	72	48.0 K	50.0 M
46#	800x600	32K	75	46.8 K	50.0 M
46##	800x600	32K	85	53.7 K	56.3 M
47	800x600	64K	56	35.1 K	36.0 M
47*	800x600	64K	60	37.9 K	40.0 M
47+	800x600	64K	72	48.0 K	50.0 M
47#	800x600	64K	75	46.8 K	50.0 M
47##	800x600	64K	85	53.7 K	56.3 M
48	800x600	16.8M	56	35.1 K	36.0 M
48*	800x600	16.8M	60	37.9 K	40.0 M
48+	800x600	16.8M	72	48.0 K	50.0 M
48#	800x600	16.8M	75	46.8 K	50.0 M
48##	800x600	16.8M	85	53.7 K	56.3 M
49i	1024x768	32K	87	35.5 K	44.9 M
49n	1024x768	32K	60	48.4 K	65.0 M
49n+	1024x768	32K	70	56.5 K	75.0 M



MODE	DISPLAY SIZE	COLORS SHADES	FRAME RATE.	H-SYNC.	VIDEO FREQ.
49n#	1024x768	32K	75	60.2 K	80.0 M
49n##	1024x768	32K	85	68.7 K	94.5 M
4Ai	1024x768	64K	87	35.5 K	44.9 M
4An	1024x768	64K	60	48.4 K	65.0 M
4An+	1024x768	64K	70	56.5 K	75.0 M
4An#	1024x768	64K	75	60.2 K	80.0 M
4An##	1024x768	64K	85	68.7 K	94.5 M
4Bi	1024x768	16.8M	87	35.5 K	44.9 M
4Bn	1024x768	16.8M	60	48.4 K	65.0 M
4Bn+	1024x768	16.8M	70	56.5 K	75.0 M
4Bn#	1024x768	16.8M	75	60.2 K	80.0 M
4Bn##	1024x768	16.8M	85	68.7 K	94.5 M
4Ci	1280x1024	32K	89	48.8 K	80.0 M
4Di	1280x1024	64K	89	48.8 K	80.0 M

NOTE: i - interlaced mode  
n - noninterlaced mode

\*For the limitation of memory bandwidth in 1MB DRAM configuration, the following video modes is not supported in 1MB configuration: modes 45\*, 45+, 46+, 46#, 47+, and 47#.

### 3.13 Multiplexed pins

Several SiS Chip I/O pins have multiple functions, the following table will provide the condition to define the pin for each function.

SiS5582 Ball No.	SiS5581 Ball No.	Pin Name	Description
N29	U29	MA0B	Set Register 57 bit 1 to “0” in Host to PCI Bridge Configuration Register
		SRAS1#	Set Register 57 bit 1 to “1” in Host to PCI Bridge Configuration Register
N25	U25	MA1B	Set Register 57 bit 1 to “0” in Host to PCI Bridge Configuration Register
		SCAS1#	Set Register 57 bit 1 to “1” in Host to PCI Bridge Configuration Register
J27	AA27	GPO3	Set ACPI/SCI Offset Register 1Ch bit 4 to “1” and Register 40h bit7 to “1” in PCI to ISA Bridge Configuration Register
		MA12	Set ACPI/SCI Offset Register 1Ch bit 4 to “0” in PCI to ISA Bridge Configuration Register





J28	AA28	GPO4	Set ACPI/SCI Offset Register 1Ch bit 5 to “1” and Register 40h bit7 to “1” in PCI to ISA Bridge Configuration Register
		MA13	Set ACPI/SCI Offset Register 1Ch bit 5 to “0” in PCI to ISA Bridge Configuration Register
J29	AA29	GPO6	Set ACPI/SCI Offset Register 1Ch bit 6 to “0” and Register 40h bit7 to “1” in PCI to ISA Bridge Configuration Register
		MA14	Set ACPI/SCI Offset Register 1C bit 6 to “1” in PCI to ISA Bridge Configuration Register
D26	AF26	GPIO7	Set Register 6Ah bit 4 to “0” and Register 40h bit7 to “1” in PCI to ISA Bridge Configuration Register
		OCO#	Set Register 6A bit 4 to “1” and 6A bit 6 to “1” in PCI to ISA Bridge Configuration Register
		OCI2#	Set Register 6A bit 4 to “1” and 6A bit 6 to “0” in PCI to ISA Bridge Configuration Register
H26	AB26	GPIO8	Set Register 6Ah bit 5 to “0” and Register 40h bit7 to “1” in PCI to ISA Bridge Configuration Register
		OCI1#	Set Register 6A bit 5 to “1” in PCI to ISA Bridge Configuration Register
D27	AF27	IOCHK#	Set ACPI/SCI Offset Register 24 bit 6 to “0” in PCI to ISA Bridge Configuration Register
		GPIO9	Set Register 40h bit7 to “1” and ACPI/SCI Offset Register 24h bit 6 to “1” in PCI to ISA Bridge Configuration Register and Set ACPI/SCI Offset Register 1C bit 9 to “1” in PCI to ISA Bridge Configuration Register.
		THRM#	Set ACPI/SCI Offset Register 24 bit 6 to “1” in PCI to ISA Bridge Configuration Register and Set ACPI/SCI Offset Register 1C bit 9 to “0” in PCI to ISA Bridge Configuration Register
B7	AH7	GPIO10	Set Auto Power Control Register II bit 1 to “0” in APC Control Registers and set Register 40h bit7 to “1” in PCI to ISA Bridge Configuration Register
		ACPILED	Set Auto Power Control Register II bit 1 to “1” in APC Control Registers
D6	AF6	OSCO	Connect PSRSTB# to Battery circuit
		RTCCS#	Pull-low resistor on PSRSTB# signal
E6	AE6	OSCI	Connect PSRSTB# to Battery circuit
		IRQ8#	Pull-low resistor on PSRSTB# signal
C8	AG8	RTCALE#	Connect PSRSTB# to Battery circuit
		ONCTL#	Pull-low resistor on PSRSTB# signal
B19	AH19	KBCLK	Set Register 70 bit 3 to “1” in PCI to ISA Bridge Configuration Register.





		GPIO2	Set Register 70 bit 3 to “1” and Register 40h bit7 to “1” in PCI to ISA Bridge Configuration Register, and set Register 1Dh bit 2 to ‘1’ in ACPI/SCI Offset Register.
A19	AJ19	KBDAT	Set Register 70h bit 3 to “1” in PCI to ISA Bridge Configuration Register.
		IRQ1	Set Register 70h bit 3 to “0” in PCI to ISA Bridge Configuration Register.
D19	AF19	PMCLK	Set Register 70h bit 3 to “1” and 70h bit 4 to “1” in PCI to ISA Bridge Configuration Register.
		GPIO1	Set Register 70 bit 3 to “0” and Register 40h bit7 to “1” in PCI to ISA Bridge Configuration Register, and set Register 1Dh bit 1 to ‘1’ in ACPI/SCI Offset Register.
B20	AH20	PMDAT	Set Register 70h bit 3 to “1” and 70h bit 4 to “1” in PCI to ISA Bridge Configuration Register.
		IRQ12	Set Register 70h bit 3 to “1” in PCI to ISA Bridge Configuration Register.
C20	AG20	KLOCK#	Set Register 70 bit 4 to “1” in PCI to ISA and 57 bit 0 to “1” in Host to PCI Configuration Register
		GPIO0	Set Register 70 bit 4 to “0” and 40h bit7 to “1” in PCI to ISA and 57 bit 0 to “1” in Host to PCI Bridge Configuration Register, and set Register 1Dh bit 0 to ‘1’ in ACPI/SCI Offset Register.
		RAMWC#	Set Register 57h bit 0 to “0” in Host to PCI Bridge Configuration Register.
B22	AH22	TURBO	Set Register 93 bit 2 to “0” in Host to PCI Bridge Configuration Register
		EXTSMI#	Set Register 93 bit 2 to “1” in Host to PCI Bridge Configuration Register.
N5	U5	IIRQA	If PCI IDE channel 0 operates in Native mode.
		IRQ14	If PCI IDE channel 0 operates in compatibility mode.
V5	M5	IIRQB	If PCI IDE channel 1 operates in Native mode.
		IRQ15	If PCI IDE channel 1 operates in compatibility mode.
D20	AF20	GPCS1	Set register 6D bit 6 to “0” in PCI to ISA Bridge Configuration Register.
		SIRQ	Set register 6D bit 6 to “1” in PCI to ISA Bridge Configuration Register.

### 3.14 Ball Connectivity Testing

SiS Chip will provide a NAND chain Test Mode. In order to ensure the connections of balls to tracks of mainboard, SiS Chip provides a simple way to do connective measurements. Basically, an additional 2-input-NAND gate is added into the I/O buffer cells. And, one of



inputs of NAND gate is connected to input pin of I/O buffer as test input port in test mode. To monitor the test result at test output port, the output of the NAND gate is connected to the other input of the next NAND gate. Such that, the test result could be propagated and it forms a NAND tree, as depicted in Figure 3-35 on page 107. To adapt to the scheme, all output buffers of SiS Chip are changed to bidirection buffers to accept test signals.

### 3.14.1 Test Scheme

There are six NAND tree chains are provided by SiS Chip. Each NAND tree chain has several test-input pins and one output pin.

The following description is an example on 4-test-input pins to explain a NAND tree chain test scheme.

First of all, logic LOW is driven into TESTIN1 pin from track on mainboard. If logic HIGH could be observed at TESTOUT pin, it means that the connection of TESTIN1 pin to track is good, as shown in Figure 3-36 on page 107. To test TESTIN2 pin, TESTIN2 pin should be driven LOW also. And, TESTIN1 pin should be kept at logic HIGH, such that the test result could be passed to TESTOUT pin and so on. Although SiS Chip operates at 3.3V, all input buffers of SiS Chip are 5V-input tolerance. Hence, all test signal could go up to 5V.

### 3.14.2 Measurements

During test process, this scheme requires all test inputs to be driven simultaneously. To decrease the amount of test probes, SiS Chip divide pins into 6 branches. Meanwhile, some noise sensitive signals or analog signals, i.e. RTC, power and VGA signals, are excluded. The final number of test-input probes is limited to 78 and these six NAND trees are listed in Table 3-2 NAND Tree List on page 107.

The Mechanism of NAND Tree

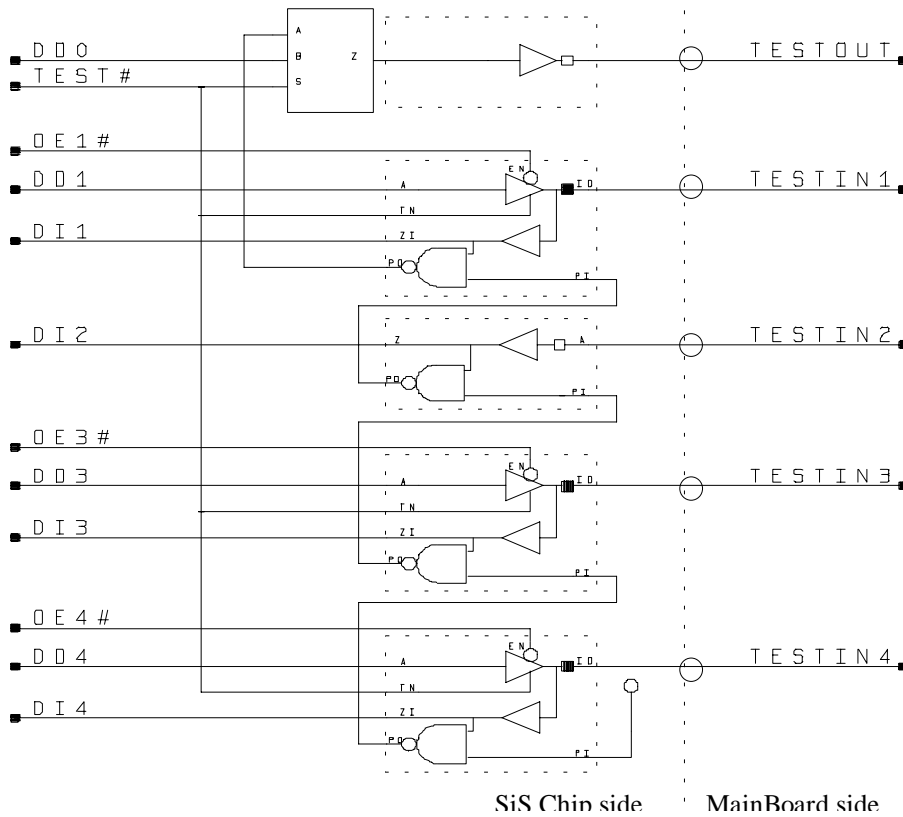


Figure 3-35

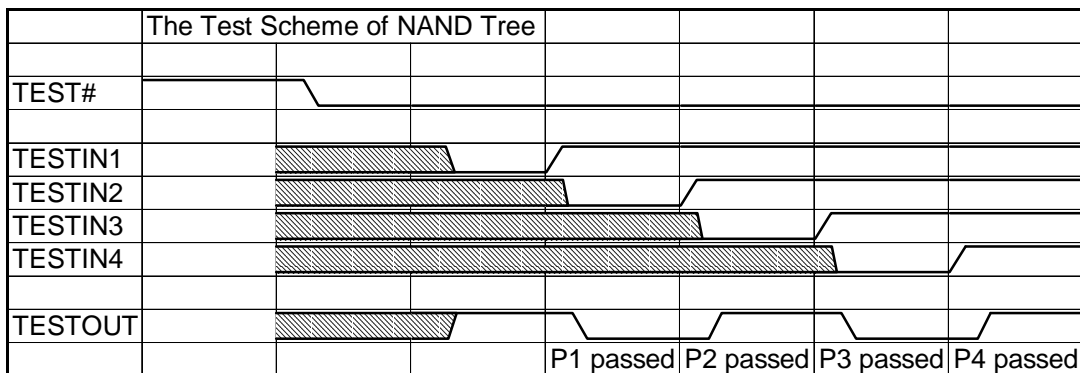


Figure 3-36

Table 3-2 NAND Tree List for SiS5597

TEST Vectors	Ball Number List	TEST Output Ball
--------------	------------------	------------------



TESTIN0[1:69] (NAND Tree 1)	N29, P26, N25, P27, P28, P24, P29, R26, P25, R27, R28, R29, T24, T26, T27, T25, T28, T29, U26, U24, U27, U28, U29, U25, V27, V28, V29, V25, W27, W28, W29, V26, Y27, Y28, Y29, W25, AA27, AA28, AA29, W26, AB27, AB28, AB29, Y25, AC26, AC27, Y26, AC28, AC29, AD27, AA25, AD28, AD29, AA26, AE26, AE27, AB25, AE28, AE29, AF26, AB26, AF27, AF28, AF29, AC25, AG28, AD26, AH28, AD25	AE05
TESTIN1[1:78] (NAND Tree 2)	B21, D19, A21, C22, B22, A22, C23, B23, A23, E24, D24, E21, C24, B24, A24, D21, E25, D25, E22, C25, B25, A25, D22, C26, B26, A26, E23, C27, D23, B27, G25, B28, C28, D26, G26, D27, D28, H25, D29, E26, E27, H26, E28, E29, F25, J25, F26, F27, F28, J26, F29, G27, K25, G28, G29, H27, H28, K26, H29, J27, J28, L25, J29, K27, K28, L26, K29, L27, M25, L28, L29, M27, M26, M28, M29, N26, N27, N28	AG05
TESTIN2[1:74] (NAND Tree 3)	C05, E09, B05, A05, E06, D09, D06, C06, B06, E10, A06, C07, B07, A07, C08, E11, B08, A08, C09, D11, B09, A09, E12, C10, B10, A10, D12, C11, B11, F13, A11, C12, B12, E13, A12, D13, C13, F14, B13, A13, E14, D14, C14, B14, A14, F16, D15, C15, B15, A15, E16, D16, C16, B16, F17, A16, D17, C17, E17, B17, A17, C18, B18, E18, A18, C19, B19, D18, A19, C20, B20, E19, A20, C21	AH05
TESTIN3[1:77] (NAND Tree 4)	T04, T03, T05, T02, T01, P06, R04, R03, R02, R01, P05, P04, P03, P02, N06, P01, N04, N03, N05, N02, N01, M03, M05, M02, M01, L03, M04, L02, L01, L05, K03, K02, L04, K01, J03, J02, K05, J01, H03, H02, K04, H01, G03, G02, J05, G01, F05, F04, J04, F03, F02, H05, F01, E04, E03, H04, E02, E01, D04, G05, D03, D02, D01, G04, C02, B02, E07, C03, D07, B03, E08, C04, B04, A04, D08, E05, D05	AG04



TESTIN4[1:63] (NAND Tree 5)	AG06, AH06, AJ06, AE09, AF05, AF09, AH13 AJ05, AE08, AH04, AF08, AJ04, AG03, AH03, AH02, AG02, AC05, AF04, AF03, AF02, AC04, AF01, AE04, AB05, AE03, AE02, AB04, AE01, AD05, AD04, AA05, AD03, AD02, AD01, AA04, AC03, AC02, AC01, AB03, Y04, AB01, AA03, W05, AA02, AA01, W04, Y03, Y02, Y01, V05, W03, W02, V04, W01, V03, U06, V02, V01, U04, U05, U03, U02, U01, T06
TESTIN5[1:63] (NAND Tree 6)	AF24, AG24, AH24, AF21, AE23, AG15 AF23, AG23, AE20, AH23, AJ23, AF20, AH22, AJ21, AG20, AF19, AH20, AJ20, AG19, AE18, AH19, AJ19, AG18, AH18, AJ18, AF17, AD17, AG17, AH17, AJ17, AE17, AF16, AG16, AD16, AH16, AJ16, AE16, AD14, AH15, AJ15, AF14, AG14, AE14, AH14, AJ14, AF13, AD13, AG13, AJ13, AE13, AG12, AH12, AJ12, AE12, AG11, AH11, AJ11, AF12, AG10, AH10, AJ10, AE11, AG09, AH09

**Table 3-3 NAND Tree List for SiS5598**

<b>TEST Vectors</b>	<b>Ball Number List</b>	<b>TEST Output Ball</b>
TESTIN0[1:69] (NAND Tree 1)	U29, T26, U25, T27, T28, T24, T29, R26, T25, R27, R28, R29, P24, P26, P27, P25, P28, P29, N26, N24, N27, N28, N29, N25, M27, M28, M29, M25, L27, L28, L29, M26, K27, K28, K29, L25, J27, J28, J29, L26, H27, H28, H29, K25, G26, G27, K26, G28, G29, F27, J25, F28, F29, J26, E26, E27, H25, E28, E29, D6, H26, D27, D28, D29, G25, C28, F26, B28, F25	E05



<p>TESTIN1[1:78] (NAND Tree 2)</p>	<p>AH21, AF19, AJ21, AG22, AH22, AJ22, AG23, AH23, AJ23, AE24, AF24, AE21, AG24, AH24, AJ24, AF21, AE25, AF25, AE22, AG25, AH25, AJ25, AF22, AG26, AH26, AJ26, AE23, AG27, AF23, AH27, AC25, AH28, AG28, AF26, AC26, AF27, AF28, AB25, AF29, AE26, AE27, AB26, AE28, AE29, AD25, AA25, AD26, AD27, AD28, AA26, AD29, AC27, Y25, AC28, AC29, AB27, AB28, Y26, AB29, AA27, AA28, W25, AA29, Y27, Y28, W26, Y29, W27, V25, W28, W29, V27, V26, V28, V29, U26, U27, U28</p>	<p>C05</p>
<p>TESTIN2[1:74] (NAND Tree 3)</p>	<p>AG05, AE09, AH05, AJ05, AE06, AF09, AF06, AG06, AH06, AE10, AJ06, AG07, AH07, AJ07, AG08, AE11, AH08, AJ08, AG09, AF11, AH09, AJ09, AE12, AG10, AH10, AJ10, AF12, AG11, AH11, AD13, AJ11, AG12, AH12, AE13, AJ12, AF13, AG13, AD14, AH13, AJ13, AE14, AF14, AG14, AH14, AJ14, AD16, AF15, AG15, AH15, AJ15, AE16, AF16, AG16, AH16, AD17, AJ16, AF17, AG17, AE17, AH17, AJ17, AG18, AH18, AE18, AJ18, AG19, AH19, AF18, AJ19, AG20, AH20, AE19, AJ20, AG21</p>	<p>B05</p>
<p>TESTIN3[1:77] (NAND Tree 4)</p>	<p>P04, P03, P05, P02, P01, T06, R04, R03, R02, R01, T05, T04, T03, T02, U06, T01, U04, U03, U05, U02, U01, V03, V05, V02, V01, W03, V04, W02, W01, W05, Y03, Y02, W04, Y01, AA03, AA02, Y05, AA01, AB03, AB02, Y04, AB01, AC03, AC02, AA05, AC01, AD05, AD04, AA04, AD03, AD02, AB05, AD01, AE04, AE03, AB04, AE02, AE01, AF04, AC05, AF03, AF02, AF01, AC04, AG02, AH02, AE07, AG03, AF07, AH03, AE08, AG04, AH04, AJ04, AF08, AE05, AF05</p>	<p>C04</p>



TESTIN4[1:63] (NAND Tree 5)	C06, B06, A06, E09, D05, D09, A05, B13 E08, B04, D08, A04, C03, B03, B02, C02, G05, D04, D03, D02, G04, D01, E04, H05, E03, E02, H04, E01, F05, F04, J05, F03, F02, F01, J04, G03, G02, G01, H03, K04, H01, J03, L05, J02, J01, L04, K03, K02, K01, M05, L03, L02, M04, L01, M03, N06, M02, M01, N04, N05, N03, N02, N01, P06
TESTIN5[1:63] (NAND Tree 6)	D24, C24, B24, D21, E23, D23, C23, C15 E20, B23, A23, D20, B22, A21, C20, D19, B20, A20, C19, E18, B19, A19, C18, B18, A18, D17, F17, C17, B17, A17, E17, D16, C16, F16, B16, A16, E16, F14, B15, A15, D14, C14, E14, B14, A14, D13, F13, C13, A13, E13, C12, B12, A12, E12, C11, B11, A11, D12, C10, B10, A10, E11, C09, B09



### 4. Pin Assignment and Description

To suit all kinds of PC main board form factor, SiS Chip provides two kinds of pin assignment for customized boards design. SiS5598 pin assignment is based on ATX/traditional Baby-AT form factor, and SiS5597 is based on LPX/NPX/NLX form factor.

#### 4.1 SiS5598 Pin Assignment(Top view)

	1	2	3	4	5	6	7	8	9	10	11	12	13	14	15	16	17	18	19	20	21	22	23	24	25	26	27	28	29		
A			NC	AD30	PREQ2#	INTC#	RTCVDD	PSRSTB#	PWRBT#	DACK2	DREQ5	IRQ10	OSC	IRQ5	IOW#	ZWS#	SA7	SA2	KBDAT	SPK	UCLK48	UV1-	BLANK#	BOUT	GOUT	ROUT	NC			A	
B		PCICLK	AD28	C/BE3#	PGNT2#	INTB#	GPIO10	RING	BCLK	DACK1	MEMW#	IO16#	BALE	IRQ6	SMEMR#	DREQ3	SA6	SA1	KBCLK	PMDAT	UV0+	TURBO	PCLK	VIDEO2	COMP	DDCCLK0	AVDD2	HSYNC		B	
C	NC	AD27	AD29	PGNT3#	PGNT1#	INTA#	PWRGD	ONCTL#	MR16#	DACK0	MEMR#	M16#	TC	IRQ9	AEN	DREQ1	SA5	SA0	ROMKBCS#	KLOCK#	UV1+	TEST#	VIDEO6	VIDEO1	EXTVREF	AVSS2	AVSS3	ENDCLK	NC	C	
D	AD21	AD23	AD24	AD25	PREQ0#	OCOS	DLVDD1	AD31	PREQ1#	RTCVSS	SWITCH	DREQ6	IRQ4	IOR#	VCC5	DREQ0	SA3	PVDD	PMCLK	SIRQ	VIDEO3	VREF	VIDEO5	VIDEO0	DDCDAT0	GPIO7	IOCHK#	SRAS2#	SCAS2#	D	
E	C/BE2#	AD17	AD18	AD20	PGNT0#	OCSI	DLLVSS1	PREQ3#	INTD#	GPIO5	DREQ7	IRQ11	SHBE#	IRQ7	OVDD	IRDY	RFH#	GPCS0	UV0-	VIDEO7	AVSS1	AVDD1	VIDEO4	RSET	AVDD3	CAS5#	CAS6#	DDCDAT1	DDCCLK1	E	
F	PLOCK#	STOP#	DEVSEL#	IRDY#	FRAME#								IRQ3	SMEMW#	OVDD	DREQ2	SA4								VSYNC	ENSYNC	CAS0#	CAS2#	CAS3#	F	
G	AD15	C/BE1#	PAR	AD22	AD26																				ENVIDEO	RAS4#	RAS0#	RAS2#	RAS3#	G	
H	AD12	VCC5	AD14	AD16	AD19																				CAS7#	GPIO8	RAMWA#	SCAS0#	SRAS0#	H	
J	AD8	AD9	AD11	SERR#	TRDY#																				CAS1#	CAS4#	MA12	MA13	MA14	J	
K	AD5	AD6	AD7	AD13	PVDD																				RAS5#	RAS1#	MA8	MA9	MA10	K	
L	AD0	AD2	AD3	C/BE0#	AD10																				MA11	RAMWB#	MA4	MA5	MA6	L	
M	IDSAA1	IDSAA0	SDOEH	AD1	AD4																				MA3	MA7	MA0A	MA1A	MA2	M	
N	ICHRDYA	IDREQA	IDACKA#	IDSAA2	IIRQA	SDOEL																			MD2	MA1B	MD3	MD1	MD0	MA0B	N
P	IDA1	IDA0	ICSA0#	IIOA#	ICSA1#	IIOWA#																			MD9	MD6	MD8	MD7	MD5	MD4	P
R	IDA6	IDA5	IDA4	IDA3	OVDD	OVDD																			OVDD	OVDD	MD14	MD12	MD11	MD10	R
T	IDA12	IDA10	IDA9	IDA8	IDA7	IDA2																			MD16	MD13	MD20	MD18	MD17	MD15	T
U	IDSBA1	IDSBA0	IDA14	IDA13	IDA15	IDA11																			PVDD	MD19	MD24	MD23	MD22	MD21	U
V	IDRQB	IDACKB#	IDSBA2	IIOWB#	IIRQB																					MD31	MD27	MD28	MD26	MD25	V
W	ICSB0#	IIOB#	ICHRDYB	IDB13	ICSB1#																					MD38	MD34	MD32	MD30	MD29	W
Y	IDB12	IDB14	IDB15	IDB3	IDB9																					MD47	MD42	MD36	MD35	MD33	Y
AA	IDB0	IDB10	IDB11	HA29	IDB7																					MD54	MD50	MD40	MD39	MD37	AA
AB	IDB4	IDB2	IDB1	HA22	HA26																					MD62	MD58	MD44	MD43	MD41	AB
AC	IDB8	IDB6	IDB5	HA14	HA18																					TA3	TA7	MD48	MD46	MD45	AC
AD	HA25	HA27	HA28	HA30	HA31									HD31	HD39	OVDD	HD47	HD56								MD55	MD53	MD52	MD51	MD49	AD
AE	HA20	HA21	HA23	HA24	HD0	HD6	HA11	HA7	HD3	HD11	HD17	HD24	HD35	HD42	OVDD	HD52	HD60	HBE0#	CPURST	DLLVSS0	AHOLD	D/C#	KOE#	FLUSH#	BRDY#	MD60	MD59	MD57	MD56	AE	
AF	HA15	HA16	HA17	HA19	HD1	HD8	HA9	HA3	HD7	PVDD	HD21	HD28	HD37	HD43	HD48	HD53	HD58	HBE4#	STPCLK#	DLLVDD0	CACHE#	ADSC#	TA1	HLOCK#	W/R#	TA6	TAGW#	MD63	MD61	AF	
AG	NC	HA13	HA10	HA6	HD2	HD9	HD13	HD16	HD20	HD25	HD29	HD33	HD38	HD44	HD49	HD54	HD59	HD63	HBE2#	HBE6#	NMI	SMACT#	CPUCLK	BOFF#	M/IO#	BWE#	TA0	TA5	NC	AG	
AH		HA12	HA8	HA5	HD4	HD10	HD14	HD18	HD22	HD26	HD30	HD34	HD40	HD45	HD50	HD55	HD61	FERR#	HBE3#	HBE7#	INTR	SMI#	HITM#	NA#	ADS#	GWE#	TA2	TA4		AH	
AJ			NC	HA4	HD5	HD12	HD15	HD19	HD23	HD27	HD32	HD36	HD41	HD46	HD51	HD57	HD62	HBE1#	HBE5#	INIT	A20M#	IGNNE#	EADS#	KEN#	ADSV#	CCS1#	NC			AJ	





### 4.2 SiS5597 Pin Assignment(Top view)

	1	2	3	4	5	6	7	8	9	10	11	12	13	14	15	16	17	18	19	20	21	22	23	24	25	26	27	28	29				
A			NC	HA4	HD5	HD12	HD15	HD19	HD23	HD27	HD32	HD36	HD41	HD46	HD51	HD57	HD62	HBE1#	HBE5#	INIT	A20M#	IGNNE#	EADS#	KEN#	ADSV#	CCS1#	NC			A			
B		HA12	HA8	HA5	HD4	HD10	HD14	HD18	HD22	HD26	HD30	HD34	HD40	HD45	HD50	HD55	HD61	FERR#	HBE3#	HBE7#	INTR	SMI#	HITM#	NA#	ADS#	GWE#	TA2	TA4		B			
C	NC	HA13	HA10	HA6	HD2	HD9	HD13	HD16	HD20	HD25	HD29	HD33	HD38	HD44	HD49	HD54	HD59	HD63	HBE2#	HBE6#	NMI	SMIACK#	CPUCLK	BOFF#	M/IO#	BWE#	TA0	TA5	NC	C			
D	HA15	HA16	HA17	HA19	HD1	HD8	HA9	HA3	HD7	PVDD	HD21	HD28	HD37	HD43	HD48	HD53	HD58	HBE4#	STPCLK#	DLLVDD0	CACHE#	ADSC#	TA1	HLOCK#	W/R#	TA6	TAGW#	MD63	MD61	D			
E	HA20	HA21	HA23	HA24	HD0	HD6	HA11	HA7	HD3	HD11	HD17	HD24	HD35	HD42	OVDD	HD52	HD60	HBE0#	CPURST	DLLVSS0	AHOLD	D/C#	KOE#	FLUSH	BRDY#	MD60	MD59	MD57	MD56	E			
F	HA25	HA27	HA28	HA30	HA31								HD31	HD39	OVDD	HD47	HD56								MD55	MD53	MD52	MD51	MD49	F			
G	IDB8	IDB6	IDB5	HA14	HA18																				TA3	TA7	MD48	MD46	MD45	G			
H	IDB4	IDB2	IDB1	HA22	HA26																				MD62	MD58	MD44	MD43	MD41	H			
J	IDB0	IDB10	IDB11	HA29	IDB7																				MD54	MD50	MD40	MD39	MD37	J			
K	IDB12	IDB14	IDB15	IDB3	IDB9																					MD47	MD42	MD36	MD35	MD33	K		
L	ICSB#	IORB#	ICHRDYB	IDB13	ICSB1#																					MD38	MD34	MD32	MD30	MD29	L		
M	IDREQB	IDACKB#	IDSBA2	IOWB#	IIRQB																					MD31	MD27	MD28	MD26	MD25	M		
N	IDSBA1	IDSBA0	IDA14	IDA13	IDA15	IDA11																				PVDD	MD19	MD24	MD23	MD22	MD21	N	
P	IDA12	IDA10	IDA9	IDA8	IDA7	IDA2																				MD16	MD13	MD20	MD18	MD17	MD15	P	
R	IDA6	IDA5	IDA4	IDA3	OVDD	OVDD																				OVDD	OVDD	MD14	MD12	MD11	MD10	R	
T	IDA1	IDA0	ICSA0#	IORA#	ICSA1#	IOWA#																					MD9	MD6	MD8	MD7	MD5	MD4	T
U	ICHRDYA	IDREQA	IDACKA#	IDSAA2	IIRQA	SDOEL																					MD2	MA1B	MD3	MD1	MD0	MA0B	U
V	IDSAA1	IDSAA0	SDOEH	AD1	AD4																						MA3	MA7	MA0A	MA1A	MA2	V	
W	AD0	AD2	AD3	C/BE0#	AD10																						MA11	RAMWB#	MA4	MA5	MA6	W	
Y	AD5	AD6	AD7	AD13	PVDD																							RAS5#	RAS1#	MA8	MA9	MA10	Y
AA	AD8	AD9	AD11	SERR#	TRDY#																							CAS1#	CAS4#	MA12	MA13	MA14	AA
AB	AD12	VCC5	AD14	AD16	AD19																							CAS7#	GPIO8	RAMWA#	SCAS0#	SRAS0#	AB
AC	AD15	C/BE1#	PAR	AD22	AD26																							ENVIDEO	RAS4#	RAS0#	RAS2#	RAS3#	AC
AD	PLOCK#	STOP#	DEVSEL#	IRDY#	FRAME#																												AD
AE	C/BE2#	AD17	AD18	AD20	PGNT0#	OSCI	DLLVSS1	PREQ3#	INTD#	GPIO5	DREQ7	IRQ11	SHBE#	IRQ7	OVDD	IRDY	RFH#	GPCS0	UV0-	VIDEO7	AVSS1	AVDD1	VIDEO4	RSET	AVDD3	CAS5#	CAS6#	DDCDAT1	DDCCLK1			AE	
AF	AD21	AD23	AD24	AD25	PREQ0#	OCOS	DLLVDD1	AD31	PREQ1#	RTCSS	SWITCH	DREQ6	IRQ4	IOR#	VCC5	DREQ0	SA3	PVDD	PMCLK	SIRQ	VIDEO3	VREF	VIDEO5	VIDEO0	DDCDAT0	GPIO7	IOCHK#	SRAS2#	SCAS2#			AF	
AG	NC	AD27	AD29	PGNT3#	PGNT1#	INTA#	PWRGD	ONCTL#	MR16#	DACK0	MEMR#	M16#	TC	IRQ9	AEN	DREQ1	SA5	SA0	ROMKBCS#	KLOCK#	UV1+	TEST#	VIDEO6	VIDEO1	EXTVREF	AVSS2	AVSS3	ENDCLK	NC			AG	
AH		PCICLK	AD28	C/BE3#	PGNT2#	INTB#	GPIO10	RING	BCLK	DACK1	MEMW#	IO16	BALE	IRQ6	SMEMR#	DREQ3	SA6	SA1	KBCLK	PMDAT	UV0+	TURBO	PCLK	VIDEO2	COMP	DDCCLK0	AVDD2	HSYNC			AH		
AJ			NC	AD30	PREQ2#	INTC#	RTCVDD	PSRSTB#	PWRBT#	DACK2	DREQ5	IRQ10	OSC	IRQ5	IOW#	ZWS#	SA7	SA2	KB DAT	SPK	UCLK48	UV1-	BLANK#	BOUT	GOUT	ROUT	NC				AJ		



### 4.3 SiS Chip Alphabetical Pin List

Signal Name	SiS5598 Ball No.	SiS5597 Ball No.	Signal Name	SiS5598 Ball No.	SiS5597 Ball No.
A20M#	AJ21	A21	AVDD3	E25	AE25
AD0	L01	W01	AVSS1	E21	AE21
AD1	M04	V04	AVSS2	C26	AG26
AD2	L02	W02	AVSS3	C27	AG27
AD3	L03	W03	BALE	B13	AH13
AD4	M05	V05	BCLK	B09	AH09
AD5	K01	Y01	BLANK#	A23	AJ23
AD6	K02	Y02	BOFF#	AG24	C24
AD7	K03	Y03	BOUT	A24	AJ24
AD8	J01	AA01	BRDY#	AE25	E25
AD9	J02	AA02	BWE#	AG26	C26
AD10	L05	W05	C/BE0#	L04	W04
AD11	J03	AA03	C/BE1#	G02	AC02
AD12	H01	AB01	C/BE2#	E01	AE01
AD13	K04	Y04	C/BE3#	B04	AH04
AD14	H03	AB03	CACHE#	AF21	D21
AD15	G01	AC01	CAS0#/DQM0	F27	AD27
AD16	H04	AB04	CAS1#/DQM1	J25	AA25
AD17	E02	AE02	CAS2#/DQM2	F28	AD28
AD18	E03	AE03	CAS3#/DQM3	F29	AD29
AD19	H05	AB05	CAS4#/DQM4	J26	AA26
AD20	E04	AE04	CAS5#/DQM5	E26	AE26
AD21	D01	AF01	CAS6#/DQM6	E27	AE27
AD22	G04	AC04	CAS7#/DQM7	H25	AB25
AD23	D02	AF02	CCS1#	AJ26	A26
AD24	D03	AF03	COMP	B25	AH25
AD25	D04	AF04	CPUCLK	AG23	C23
AD26	G05	AC05	CPURST	AE19	E19
AD27	C02	AG02	D/C#	AE22	E22
AD28	B03	AH03	DACK0#	C10	AG10
AD29	C03	AG03	DACK1#	B10	AH10
AD30	A04	AJ04	DACK2#	A10	AJ10
AD31	D08	AF08	DCCCLK0	B26	AH26
ADS#	AH25	B25	DCCCLK1	E29	AE29
ADSC#	AF22	D22	DCCDAT0	D25	AF25
ADSV#	AJ25	A25	DCCDAT1	E28	AE28
AEN	C15	AG15	DEVSEL#	F03	AD03
AHOLD	AE21	E21	DLLVDD0	AF20	D20
AVDD1	E22	AE22	DLLVDD1	D07	AF07
AVDD2	B27	AH27	DLLVSS0	AE20	E20



Signal Name	SiS5598 Ball No.	SiS5597 Ball No.	Signal Name	SiS5598 Ball No.	SiS5597 Ball No.
DLLVSS1	E07	AE07	GND	P14	T14
DREQ0	D16	AF16	GND	P15	T15
DREQ1	C16	AG16	GND	P16	T16
DREQ2	F16	AD16	GND	P17	T17
DREQ3	B16	AH16	GND	P18	T18
DREQ5	A11	AJ11	GND	R12	R12
DREQ6	D12	AF12	GND	R13	R13
DREQ7	E11	AE11	GND	R14	R14
DVDD	AD15	F15	GND	R15	R15
DVDD	AE15	E15	GND	R16	R16
DVDD	E15	AE15	GND	R17	R17
DVDD	F15	AD15	GND	R18	R18
DVDD	R05	R05	GND	T12	P12
DVDD	R06	R06	GND	T13	P13
DVDD	R24	R24	GND	T14	P14
DVDD	R25	R25	GND	T15	P15
EADS#	AJ23	A23	GND	T16	P16
ENDCLK	C28	AG28	GND	T17	P17
ENSYNC	F26	AD26	GND	T18	P18
ENVIDEO	G25	AC25	GND	U12	N12
EXTVREF	C25	AG25	GND	U13	N13
FERR#	AH18	B18	GND	U14	N14
FLUSH#	AE24	E24	GND	U15	N15
FRAME#	F05	AD05	GND	U16	N16
GND	M12	V12	GND	U17	N17
GND	M13	V13	GND	U18	N18
GND	M14	V14	GND	V12	M12
GND	M15	V15	GND	V13	M13
GND	M16	V16	GND	V14	M14
GND	M17	V17	GND	V15	M15
GND	M18	V18	GND	V16	M16
GND	N12	U12	GND	V17	M17
GND	N13	U13	GND	V18	M18
GND	N14	U14	GOUT	A25	AJ25
GND	N15	U15	GPCS0	E18	AE18
GND	N16	U16	GPIO5	E10	AE10
GND	N17	U17	GPIO7/OCO#/OCI2#	D26	AF26
GND	N18	U18	GPIO8/OCI1#	H26	AB26
GND	P12	T12	GPIO9/THRM#/IOCHK#	D27	AF27
GND	P13	T13	GPIO10/ACPILED	B07	AH07



Signal Name	SiS5598 Ball No.	SiS5597 Ball No.	Signal Name	SiS5598 Ball No.	SiS5597 Ball No.
GWE#	AH26	B26	HD02	AG05	C05
HA03	AF08	D08	HD03	AE09	E09
HA04	AJ04	A04	HD04	AH05	B05
HA05	AH04	B04	HD05	AJ05	A05
HA06	AG04	C04	HD06	AE06	E06
HA07	AE08	E08	HD07	AF09	D09
HA08	AH03	B03	HD08	AF06	D06
HA09	AF07	D07	HD09	AG06	C06
HA10	AG03	C03	HD10	AH06	B06
HA11	AE07	E07	HD11	AE10	E10
HA12	AH02	B02	HD12	AJ06	A06
HA13	AG02	C02	HD13	AG07	C07
HA14	AC04	G04	HD14	AH07	B07
HA15	AF01	D01	HD15	AJ07	A07
HA16	AF02	D02	HD16	AG08	C08
HA17	AF03	D03	HD17	AE11	E11
HA18	AC05	G05	HD18	AH08	B08
HA19	AF04	D04	HD19	AJ08	A08
HA20	AE01	E01	HD20	AG09	C09
HA21	AE02	E02	HD21	AF11	D11
HA22	AB04	H04	HD22	AH09	B09
HA23	AE03	E03	HD23	AJ09	A09
HA24	AE04	E04	HD24	AE12	E12
HA25	AD01	F01	HD25	AG10	C10
HA26	AB05	H05	HD26	AH10	B10
HA27	AD02	F02	HD27	AJ10	A10
HA28	AD03	F03	HD28	AF12	D12
HA29	AA04	J04	HD29	AG11	C11
HA30	AD04	F04	HD30	AH11	B11
HA31	AD05	F05	HD31	AD13	F13
HBE0#	AE18	E18	HD32	AJ11	A11
HBE1#	AJ18	A18	HD33	AG12	C12
HBE2#	AG19	C19	HD34	AH12	B12
HBE3#	AH19	B19	HD35	AE13	E13
HBE4#	AF18	D18	HD36	AJ12	A12
HBE5#	AJ19	A19	HD37	AF13	D13
HBE6#	AG20	C20	HD38	AG13	C13
HBE7#	AH20	B20	HD39	AD14	F14
HD0	AE05	E05	HD40	AH13	B13
HD1	AF05	D05	HD41	AJ13	A13



Signal Name	SiS5598 Ball No.	SiS5597 Ball No.	Signal Name	SiS5598 Ball No.	SiS5597 Ball No.
HD42	AE14	E14	IDA9/SD9	T03	P03
HD43	AF14	D14	IDA10/SD10	T02	P02
HD44	AG14	C14	IDA11/SD11	U06	N06
HD45	AH14	B14	IDA12/SD12	T01	P01
HD46	AJ14	A14	IDA13/SD13	U04	N04
HD47	AD16	F16	IDA14/SD14	U03	N03
HD48	AF15	D15	IDA15/SD15	U05	N05
HD49	AG15	C15	IDACKA#	N03	U03
HD50	AH15	B15	IDACKB#	V02	M02
HD51	AJ15	A15	IDB0/SA8	AA01	J01
HD52	AE16	E16	IDB1/SA9	AB03	H03
HD53	AF16	D16	IDB2/SA10	AB02	H02
HD54	AG16	C16	IDB3/SA11	Y04	K04
HD55	AH16	B16	IDB4/SA12	AB01	H01
HD56	AD17	F17	IDB5/SA13	AC03	G03
HD57	AJ16	A16	IDB6/SA14	AC02	G02
HD58	AF17	D17	IDB7/SA15	AA05	J05
HD59	AG17	C17	IDB8/SA16	AC01	G01
HD60	AE17	E17	IDB9/LA17	Y05	K05
HD61	AH17	B17	IDB10/LA18	AA02	J02
HD62	AJ17	A17	IDB11/LA19	AA03	J03
HD63	AG18	C18	IDB12/LA20	Y01	K01
HITM#	AH23	B23	IDB13/LA21	W04	L04
HLOCK#	AF24	D24	IDB14/LA22	Y02	K02
HSYNC	B28	AH28	IDB15/LA23	Y03	K03
ICHRDYA	N01	U01	IDREQA	N02	U02
ICHRDYB	W03	L03	IDREQB	V01	M01
ICSA0#	P03	T03	IDSAA0	M02	V02
ICSA1#	P05	T05	IDSAA1	M01	V01
ICSB0#	W01	L01	IDSAA2	N04	U04
ICSB1#	W05	L05	IDSBA0	U02	N02
IDA0/SD0	P02	T02	IDSBA1	U01	N01
IDA1/SD1	P01	T01	IDSBA2	V03	M03
IDA2/SD2	T06	P06	IGNNE#	AJ22	A22
IDA3/SD3	R04	R04	IIOA#	P04	T04
IDA4/SD4	R03	R03	IIOB#	W02	L02
IDA5/SD5	R02	R02	IIOA#	P06	T06
IDA6/SD6	R01	R01	IIOB#	V04	M04
IDA7/SD7	T05	P05	IIRQA/IRQ14	N05	U05
IDA8/SD8	T04	P04	IIRQB/IRQ15	V05	M05



Signal Name	SiS5598 Ball No.	SiS5597 Ball No.	Signal Name	SiS5598 Ball No.	SiS5597 Ball No.
INIT	AJ20	A20	MA14/GPO6	J29	AA29
INTA#	C06	AG06	MA1A	M28	V28
INTB#	B06	AH06	MA1B/SCAS1#	N25	U25
INTC#	A06	AJ06	MD0	N28	U28
INTD#	E09	AE09	MD1	N27	U27
INTR	AH21	B21	MD02	N24	U24
IO16#	B12	AH12	MD03	N26	U26
IOR#	D14	AF14	MD04	P29	T29
IORDY	E16	AE16	MD05	P28	T28
IOW#	A15	AJ15	MD06	P25	T25
IRDY#	F04	AD04	MD07	P27	T27
IRQ03	F13	AD13	MD08	P26	T26
IRQ04	D13	AF13	MD09	P24	T24
IRQ05	A14	AJ14	MD10	R29	R29
IRQ06	B14	AH14	MD11	R28	R28
IRQ07	E14	AE14	MD12	R27	R27
IRQ09	C14	AG14	MD13	T25	P25
IRQ10	A12	AJ12	MD14	R26	R26
IRQ11	E12	AE12	MD15	T29	P29
KBCLK/GPIO2	B19	AH19	MD16	T24	P24
KBDAT/IRQ1	A19	AJ19	MD17	T28	P28
KEN#/INV	AJ24	A24	MD18	T27	P27
KLOCK#/GPIO0/RAMWC#	C20	AG20	MD19	U25	N25
KOE#	AE23	E23	MD20	T26	P26
M/IO#	AG25	C25	MD21	U29	N29
M16#	C12	AG12	MD22	U28	N28
MA02	M29	V29	MD23	U27	N27
MA03	M25	V25	MD24	U26	N26
MA04	L27	W27	MD25	V29	M29
MA05	L28	W28	MD26	V28	M28
MA06	L29	W29	MD27	V26	M26
MA07	M26	V26	MD28	V27	M27
MA08	K27	Y27	MD29	W29	L29
MA09	K28	Y28	MD30	W28	L28
MA0A	M27	V27	MD31	V25	M25
MA0B/SRAS1#	N29	U29	MD32	W27	L27
MA10	K29	Y29	MD33	Y29	K29
MA11	L25	W25	MD34	W26	L26
MA12/GPO3	J27	AA27	MD35	Y28	K28
MA13/GPO4	J28	AA28	MD36	Y27	K27



Signal Name	SiS5598 Ball No.	SiS5597 Ball No.	Signal Name	SiS5598 Ball No.	SiS5597 Ball No.
MD37	AA29	J29	OSCI/IRQ8#	E06	AE06
MD38	W25	L25	OSCO/RTCCS#	D06	AF06
MD39	AA28	J28	OVDD	K12	Y12
MD40	AA27	J27	OVDD	K13	Y13
MD41	AB29	H29	OVDD	K17	Y17
MD42	Y26	K26	OVDD	K18	Y18
MD43	AB28	H28	OVDD	M10	V10
MD44	AB27	H27	OVDD	M20	V20
MD45	AC29	G29	OVDD	N10	U10
MD46	AC28	G28	OVDD	N20	U20
MD47	Y25	K25	OVDD	U10	N10
MD48	AC27	G27	OVDD	U20	N20
MD49	AD29	F29	OVDD	V10	M10
MD50	AA26	J26	OVDD	V20	M20
MD51	AD28	F28	OVDD	Y12	K12
MD52	AD27	F27	OVDD	Y13	K13
MD53	AD26	F26	OVDD	Y17	K17
MD54	AA25	J25	OVDD	Y18	K18
MD55	AD25	F25	PAR	G03	AC03
MD56	AE29	E29	PCICLK	B02	AH02
MD57	AE28	E28	PCLK	B23	AH23
MD58	AB26	H26	PGNT0#	E05	AE05
MD59	AE27	E27	PGNT1#	C05	AG05
MD60	AE26	E26	PGNT2#	B05	AH05
MD61	AF29	D29	PGNT3#	C04	AG04
MD62	AB25	H25	PLOCK#	F01	AD01
MD63	AF28	D28	PMCLK/GPIO1	D19	AF19
MEMR#	C11	AG11	PMDAT/IRQ12	B20	AH20
MEMW#	B11	AH11	PREQ0#	D05	AF05
MR16#	C09	AG09	PREQ1#	D09	AF09
NA#	AH24	B24	PREQ2#	A05	AJ05
NC	A03	AJ03	PREQ3#	E08	AE08
NC	A27	AJ27	PSRSTB#	A08	AJ08
NC	AG01	C01	PVDD	AF10	D10
NC	AG29	C29	PVDD	D18	AF18
NC	AJ03	A03	PVDD	K05	Y05
NC	AJ27	A27	PVDD	U24	N24
NC	C01	AG01	PWRBT#	A09	AJ09
NC	C29	AG29	PWRGD	C07	AG07
NMI	AG21	C21	RAMWA#	H27	AB27
ONCTL#/RTCALE	C08	AG08	RAMWB#	L26	W26
OSC	A13	AJ13	RAS0#/CS0#	G27	AC27



Signal Name	SiS5598 Ball No.	SiS5597 Ball No.	Signal Name	SiS5598 Ball No.	SiS5597 Ball No.
RAS1#/CS1#	K26		STPCLK#	AF19	D19
RAS2#/CS2#	G28	Y26	SWITCH	D11	AF11
RAS3#/CS3#	G29	AC28	TA0	AG27	C27
RAS4#/CS4#	G26	AC29	TA1	AF23	D23
RAS5#/CS5#	K25	AC26	TA2	AH27	B27
RFH#	E17	Y25	TA3	AC25	G25
RING	B08	AE17	TA4	AH28	B28
ROMKBCS#	C19	AH08	TA5	AG28	C28
ROUT	A26	AG19	TA6	AF26	D26
RSET	E24	AJ26	TA7	AC26	G26
RTCVDD	A07	AE24	TAGW#	AF27	D27
RTCVSS	D10	AJ07	TC	C13	AG13
SA0	C18	AF10	TEST#	C22	AG22
SA1	B18	AG18	TRDY#	J05	AA05
SA2	A18	AH18	TURBO/EXTSMI#	B22	AH22
SA3	D17	AJ18	UCLK48	A21	AJ21
SA4	F17	AF17	UV0+	B21	AH21
SA5	C17	AD17	UV0-	E19	AE19
SA6	B17	AG17	UV1+	C21	AG21
SA7	A17	AH17	UV1-	A22	AJ22
SCAS0#	H28	AJ17	VCC5	D15	AF15
SCAS2#	D29	AF29	VCC5	H02	AB02
SDOEH	M03	V03	VIDEO0	D24	AF24
SDOEL	N06	U06	VIDEO1	C24	AG24
SERR#	J04	AA04	VIDEO2	B24	AH24
SHBE#	E13	AE13	VIDEO3	D21	AF21
SIRQ/GPCS1	D20	AF20	VIDEO4	E23	AE23
SMEMR#	B15	AH15	VIDEO5	D23	AF23
SMEMW#	F14	AD14	VIDEO6	C23	AG23
SMI#	AH22	B22	VIDEO7	E20	AE20
SMIACT#	AG22	C22	VREF	D22	AF22
SPK	A20	AJ20	VSYNC	F25	AD25
SRAS0#	H29	AB29	W/R#	AF25	D25
SRAS2#	D28	AF28	ZWS#	A16	AJ16
STOP#	F02	AD02			





## 4.4 Pin Description

### 4.4.1 Host Bus Interface

SiS5598 BALL No.	SiS5597 BALL No.	NAME	TYPE ATTR	DESCRIPTION
AE19	E19	CPURST	O	Reset CPU is an active high output to reset the CPU.
AJ20	A20	INIT	O	The Initialization output forces the CPU to begin execution in a known state. The CPU state after INIT is the same as the state after CPURST except that the internal caches, model specific registers, and floating point registers retain the values they had prior to INIT.
AG23	C23	CPUCLK	I	Host clock. Primary clock input to drive the part.
AH25	B25	ADS#	I	Address Status is driven by the CPU to indicate the start of a CPU bus cycle.
AG25	C25	M/IO#	I	Memory I/O definition is an input to indicate an I/O cycle when low, or a memory cycle when high.
AE22	E22	D/C#	I	Data/Code is used to indicate whether the current cycle is a data or code access.
AF25	D25	W/R#	I	Write/Read from the CPU indicates whether the current cycle is a write or read access.
AE25	E25	BRDY#	O	Burst Ready indicates that data presented are valid during a burst cycle.
AF21	D21	CACHE#	I	The Cache pin indicates an L1 internally cacheable read cycle or a burst write-back cycle. If this pin is driven inactive during a read cycle, the CPU will not cache the returned data, regardless of the state of the KEN# pin.
AJ24	A24	KEN#/ INV	O	This function as both the KEN# signal during CPU read cycles, and the INV signal during L1 snoop cycles. During CPU cycles, KEN#/INV is normally low. KEN#/INV will be driven high during the 1st BRDY# or NA# assertion of a non-L1-cacheable CPU read. KEN#/INV is driven high(low) during the EADS# assertion of a PCI master DRAM write(read) snoop cycle.



AH24	B24	NA#	O	The SiS Chip always asserts NA# no matter the burst, or pipelined burst SRAMs are used. This signal is connected to CPU and indicate to CPU that it is ready to process a second cycle.
AG24	C24	BOFF#	O	The SiS Chip asserts BOFF# to stop the current CPU cycle.
AE21	E21	AHOLD	O	The SiS Chip asserts AHOLD when a PCI master is performing a cycle to DRAM. AHOLD is held for the duration of PCI burst transfer. The SiS Chip negates AHOLD when the completion of PCI to DRAM read or write cycles complete and during PCI peer transfers.
AF24	D24	HLOCK#	I	When CPU asserts HLOCK# to indicate the current bus cycle is locked.
AE24	E24	FLUSH#	O	It is used to slow down the system in deturbo mode.
AJ23	A23	EADS#	O	The EADS# is driven to indicate that a valid external address has been driven to the CPU address pins to be used for an inquire cycle.
AH23	B23	HITM#	I	Hit Modified indicates the snoop cycle hits a modified line in the L1 cache of the CPU.
AH18	B18	FERR#	I	Floating point error from the CPU. It is driven active when a floating point error occurs.
AJ22	A22	IGNNE#	O	IGNNE# is normally in high impedance state, and is asserted to inform CPU to ignore a numeric error. A resistor connected to 3.3V is required to maintain a correct voltage level to CPU.
AH22	B22	SMI#	O	System Management Interrupt is used to indicate the occurrence of system management events. It is connected directly to the CPU SMI# input.
AG22	C22	SMIACK#	I	The SMIACK# pin is used as the SMI acknowledgment input from the CPU to indicate that the SMI# is being acknowledged and the processor is operating in System Management Mode(SMM).
AJ21	A21	A20M#	O	A20 Mask is the fast A20GATE output to the CPU. It remains high during power up and CPU reset period. It forces A20 to go low when active.



AF19	D19	STPCLK#	O	Stop Clock indicates a stop clock request to the CPU. When the CPU samples STPCLK# signal asserted it response by stopping its internal clock to get into the power saving state.
AH21	B21	INTR	O	Interrupt goes high whenever a valid interrupt request is asserted.
AG21	C21	NMI	O	Non-maskable interrupt is rising edge trigger signal to the CPU and is generated to invoke a non-maskable interrupt. Normally, this signal is low. It goes high state when a non-maskable interrupt source comes up.
AH20, AG20, AJ19, AF18, AH19, AG19, AJ18, AE18	B20, C20, A19, D18, B19, C19, A18, E18	HBE[7:0]#	I	CPU Byte Enables indicate which byte lanes on the CPU data bus carry valid data during the current bus cycle. HBE7# indicates that the most significant byte of the data bus is valid while HBE0# indicates that the least significant byte of the data bus is valid.
AD5, AD4, AA4, AD3, AD2, AB5, AD1, AE4, AE3, AB4, AE2, AE1, AF4, AC5, AF3, AF2, AF1, AC4, AG2, AH2, AE7, AG3, AF7, AH3, AE8, AG4, AH4, AJ4, AF8	F5, F4, J4, F3, F2, H5, F1, E4, E3, H4, E2, E1, D4, G5, D3, D2, D1, G4, C2, B2, E7, C3, D7, B3, E8, C4, B4, A4, D8	HA[31:3]	I/O	The CPU Address is driven by the CPU during CPU bus cycles. The SiS Chip forwards it to either the DRAM or the PCI bus depending on the address range. The address bus is driven by the SiS Chip during bus master cycles.



AG18, AJ17, AH17, AE17, AG17, AF17, AJ16, AD17, AH16,AG16, AF16, AE16, AJ15, AH15, AG15, AF15, AD16, AJ14, AH14,AG14, AF14, AE14, AJ13, AH13, AD14,AG13, AF13,AJ12, AE13, AH12, AG12, AJ11, AD13,AH11, AG11, AF12, AJ10, AH10, AG10, AE12, AJ9, AH9, AF11, AG9, AJ8, AH8, AE11, AG8, AJ7, AH7, AG7, AJ6, AE10, AH6, AG6, AF6, AF9, AE6, AJ5, AH5, AE9, AG5, AF5, AE5	C18, A17, B17, E17, C17, D17, A16, F17, B16, C16, D16, E16, A15, B15, C15, D15, F16, A14, B14, C14, D14, E14, A13, B13, F14, C13, D13, A12, E13, B12, C12, A11, F13, B11, C11, D12, A10, B10, C10, E12, A9, B9, D11, C9, A8, B8, E11, C8, A7, B7, C7, A6, E10, B6, C6, D6, D9, E6, A5, B5, E9, C5, D5, E5	HD[63:0]	I/O	CPU data bus.
---	--	----------	-----	---------------



4.4.2 L2 Cache Controller

SiS5598 BALL No.	SiS5597 BALL No.	NAME	TYPE ATTR	DESCRIPTION
AE23	E23	KOE#	O	Cache Output Enable for pipelined burst SRAM to enable data read.
AJ26	A26	CCS1#	O	A L2 cache consisting of burst SRAMs will power up, if necessary, and perform an access if this signal is asserted when ADSC# is asserted. A L2 cache consisting of burst SRAMs will power down if this signal is negated when ADSC# is asserted. When CCS1# is negated a L2 cache consisting of burst SRAMs ignores ADS#. If CCS1# is asserts when ADS# is asserted a L2 cache consisting burst SRAMs will power up, if necessary, and perform an access.
AH26	B26	GWE#	O	Global-write Enable. GWE# asserted causes a QWORD to be written into the L2 cache. It is used for L2 cache line fills.
AG26	C26	BWE#	O	Byte-write Enable. When GWE#=1, the assertion of BWE# causes the byte lanes that are enabled via the CPU's HBE[7:0]# signals to be written into the L2 cache, if they are powered up.
AF22	D22	ADSC#	O	Cache address strobe is for pipelined burst SRAM to load L2 cache address register from the SRAM address pins..
AJ25	A25	ADSV#	O	Cache address advance is for pipelined burst DRAM to advance to the next data into the cache line.
AF27	D27	TAGWE#	O	TAG RAM write enable output.
AC26, AF26, AG28,AH28, AC25,AH27, AF23, AG27	G26, D26, C28, B28, G25, B27, D23, C27	TA[7:0]	I/O	TAG RAM data bus lines. The voltage level must be the same as DRAM voltage level.



4.4.3 DRAM Controller

SiS5598 BALL No.	SiS5597 BALL No.	NAME	TYPE ATTR	DESCRIPTION
AF28, AB25, AF29, AE26, AE27, AB26, AE28, AE29, AD25, AA25, AD26, AD27, AD28, AA26, AD29, AC27, Y25, AC28, AC29, AB27, AB28, Y26, AB29, AA27, AA28, W25, AA29, Y27, Y28, W26, Y29, W27, V25, W28, W29, V27, V26, V28, V29, U26, U27, U28, U29, T26, U25, T27, T28, T24, T29, R26, T25, R27, R28, R29, P24, P26, P27, P25, P28, P29, N26, N24, N27, N28	D28, H25, D29, E26, E27, H26, E28, E29, F25, J25, F26, F27, F28, J26, F29, G27, K25, G28, G29, H27, H28, K26, H29, J27, J28, L25, J29, K27, K28, L26, K29, L27, M25, L28, L29, M27, M26, M28, M29, N26, N27, N28, N29, P26, N25, P27, P28, P24, P29, R26, P25, R27, R28, R29, T24, T26, T27, T25, T28, T29, U26, U24, U27, U28	MD[63:0]	I/O	Memory data bus.
M27	V27	MA0A	O	Memory address 0. Two copies are provided for loading purposes
N29	U29	MA0B/ SRAS1#	O	Memory address 0. Two copies are provided for loading purposes. If this function is not needed, then this signal can be used as SDRAM Row address strobe. SDRAM Row address strobe. It latch row address on the positive edge of the clock with SRAS[0:1]# low. These signals enable row access and precharge.



M28	V28	MA1A	O	Memory address 1. Two copies are provided for loading purposes
N25	U25	MA1B/ SCAS1#	O	Memory address 1. Two copies are provided for loading purposes. If this function is not needed, then this signal can be used as SDRAM Column address strobe. SDRAM Column address strobe. It latch column address on the positive edge of the clock with SCAS[0:1]# low. These signals enable column access.
L25, K29, K28, K27, M26, L29, L28, L27, M25, M29	W25, Y29, Y28, Y27, V26, W29, W28, W27, V25, V29	MA[11:2]	O	Memory address 11-2 are the row and column addresses for DRAM.
J27	AA27	MA12/ GPO3	O	Memory address 12 is the row and column addresses for DRAM. If this function is not needed, then this signal can be used as General Purpose Output. General Purpose Outputs can be used to control the external device and can be controlled via configuration register.
J28	AA28	MA13/ GPO4	O	Memory address 13 is the row and column addresses for DRAM. If this function is not needed, then this signal can be used as General Purpose Output. General Purpose Outputs can be used to control the external device and can be controlled via configuration register.
J29	AA29	MA14/ GPO6	O	Memory address 14 is the row and column addresses for DRAM. If this function is not needed, then this signal can be used as General Purpose Output. General Purpose Outputs can be used to control the external device and can be controlled via configuration register.
H27, L26	AB27, W26	RAMWA# RAMWB#	O	RAM Write is an active low output signal to enable local DRAM writes. Two copies are provided for loading purposes.



H25, E27, E26, J26, F29, F28, J25, F27	AB25, AE27, AE26, AA26, AD29, AD28, AA25, AD27	CAS[7:0]#/ DQM[7:0]	O	(FPM/EDO)DRAM Column address strobe 7-0 for byte 7-0. SDRAM output enables during a read cycle and a byte mask during a write cycle.
K25, G26, G29, G28, K26, G27	Y25, AC26, AC29, AC28, Y26, AC27	RAS[5:0]#/ CS[5:0]#	O	(FPM/EDO)DRAM Row address strobe 5-0 for DRAM banks 2-0. SDRAM chip select. These pins activate the SDRAM and accept any command when it is low.
H29 D28	AB29 AF28	SRAS0# SRAS2#	O	SDRAM Row address strobe. It latch row address on the positive edge of the clock with SRAS[0:2]# low. These signals enable row access and precharge. Third copies are provided for loading purposes.
H28 D29	AB28 AF29	SCAS0# SCAS2#	O	SDRAM Column address strobe. Third copies are provided for loading purposes.
E29	AE29	DDCCLK1	I/O	I <sup>2</sup> C Bus Clock
E28	AE28	DDCDAT1	I/O	I <sup>2</sup> C Bus Data





4.4.4 PCI Interface

SiS5598 BALL No.	SiS5597 BALL No.	NAME	TYPE ATTR	DESCRIPTION
B2	AH2	PCICLK	I	The PCICLK input provides the fundamental timing and the internal operating frequency for the SiS Chip. It runs at the same frequency and skew of the PCI local bus.
B4, E1, G2, L4	AH4, AE1, AC2, W4	C/BE[3:0]#	I/O	PCI Bus Command and Byte Enables define the PCI command during the address phase of a PCI cycle, and the PCI byte enables during the data phases. C/BE[3:0]# are outputs when the SiS Chip is a PCI bus master and inputs when it is a PCI slave.
D8, A4, C3, B3, C2, G5, D4, D3, D2, G4, D1, E4, H5, E3, E2, H4, G1, H3, K4, H1, J3, L5, J2, J1, K3, K2, K1, M5, L3, L2, M4, L1	AF8, AJ4, AG3, AH3, AG2, AC5, AF4, AF3, AF2, AC4, AF1, AE4, AB5, AE3, AE2, AB4, AC1, AB3, Y4, AB1, AA3, W5, AA2, AA1, Y3, Y2, Y1, V5, W3, W2, V4, W1	AD[31:0]	I/O	<p>PCI Address /Data Bus</p> <p><i>In address phase:</i></p> <ol style="list-style-type: none"> <li>When the SiS Chip is a PCI bus master, AD[31:0] are output signals.</li> <li>When the SiS Chip is a PCI target, AD[31:0] are input signals.</li> </ol> <p><i>In data phase:</i></p> <ol style="list-style-type: none"> <li>When the SiS Chip is a target of a memory read/write cycle, AD[31:0] are floating.</li> <li>When the SiS Chip is a target of a configuration or an I/O cycle, AD[31:0] are output signals in a read cycle, and input signals in a write cycle.</li> </ol>
G3	AC3	PAR	I/O	Parity is an even parity generated across AD[31:0] and C/BE[3:0]#.
F5	AD5	FRAME#	I/O	FRAME# is an output when the SiS Chip is a PCI bus master. The SiS Chip drives FRAME# to indicate the beginning and duration of an access. When the SiS Chip is a PCI slave, FRAME# is an input signal.



F4	AD4	IRDY#	I/O	IRDY# is an output when the SiS Chip is a PCI bus master. The assertion of IRDY# indicates the current PCI bus master's ability to complete the current data phase of the transaction. For a read cycle, IRDY# indicates that the PCI bus master is prepared to accept the read data on the following rising edge of the PCI clock. For a write cycle, IRDY# indicates that the bus master has driven valid data on the PCI bus. When the SiS Chip is a PCI slave, IRDY# is an input.
J5	AA5	TRDY#	I/O	TRDY# is an output when the SiS Chip is a PCI slave. The assertion of TRDY# indicates the target agent's ability to complete the current data phase of the transaction. For a read cycle, TRDY# indicates that the target has driven valid data onto the PCI bus. For a write cycle, TRDY# indicates that the target is prepared to accept data from the PCI bus. When the SiS Chip is a PCI master, it is an input.
F2	AD2	STOP#	I/O	STOP# indicates that the bus master must start terminating its current PCI bus cycle at the next clock edge and release control of the PCI bus. STOP# is used for disconnect, retry, and target-abort sequences on the PCI bus.
F3	AD3	DEVSEL#	I/O	As a PCI target, SiS Chip asserts DEVSEL# by doing positive or subtractive decoding. SiS Chip positively asserts DEVSEL# when the DRAM address is being access by a PCI master, PCI configuration registers or embedded controllers' registers are being addressed, or the BIOS memory space is being accessed. The low 16K IO space and low 16M memory space are subtractively responded. The DEVESEL# is an input when SiS Chip is acting as a PCI master. It is asserted by the addressed agent to claim the current transaction.



F1	AD1	PLOCK#	I	PCI Lock indicates an exclusive bus operation that may require multiple transactions to complete. When PLOCK# is sampled asserted at the beginning of a PCI cycle, the SiS Chip considers itself a locked resource and remains in the locked state until PLOCK# is sampled negated on a new PCI cycle.
E8, A5, D9, D5	AE8, AJ5, AF9, AF5	PREQ[3:0]#	I	PCI Bus Request is used to indicate to the PCI bus arbiter that an agent requires use of the PCI bus.
C4, B5, C5, E5	AG4, AH5, AG5, AE5	PGNT[3:0]#	O	PCI Bus Grant indicates to an agent that access to the PCI bus has been granted.
C6, B6, A6, E9	AG6, AH6, AJ6, AE9	INT[A:D]#	I	PCI Interrupt A to Interrupt D
J4	AA4	SERR#	I	SERR# can be pulsed active by any PCI device that detects a system error condition. Upon sampling SERR# active, the SiS Chip generates a non-maskable interrupt to the CPU.

#### 4.4.5 PCI IDE/ISA Bus Interface

SiS5598 BALL No.	SiS5597 BALL No.	NAME	TYPE ATTR	DESCRIPTION
U5, U3, U4, T1, U6, T2, T3, T4, T5, R1, R2, R3, R4, T6, P1, P2	N5, N3, N4, P1, N6, P2, P3, P4, P5, R1, R2, R3, R4, P6, T1, T2	IDA[15:0]/SD[15:0]	I/O	When IDE channel_0 is operating, these are IDE channel_0 data bus. Otherwise, these signals are ISA data bus and connect to ISA slots via two 74LS245s.
Y3, Y2, W4, Y1, AA3, AA2, Y5	K3, K2, L4, K1, J3, J2, K5	IDB[15:9]/LA[23:17]	I/O	When IDE channel_1 is operating, these are IDE channel_1 data bus. Otherwise, these signals are ISA address bus and connect to ISA slots via 74LS245.
AC1, AA5, AC2, AC3, AB1, Y4, AB2, AB3, AA1	G1, J5, G2, G3, H1, K4, H2, H3, J1	IDB[8:0]/SA[16:8]	I/O	When IDE channel_1 is operating, these are IDE channel_1 data bus. Otherwise, these signals are ISA address bus and connect to ISA slots via 74LS245.
P5, P3	T5, T3	ICSA[1:0]#	O	IDE channel 0 chip select signals.
W5, W1	L5, L1	ICSB[1:0]#	O	IDE channel 1 chip select signals.
P4, W2	T4, L2	IIOR[A:B]#	O	IDE channel 0/1 I/O read cycle command.



P6, V4	T6, M4	IOW[A:B] #	O	IDE channel 0/1 I/O write cycle command
N1	U1	ICHRDYA	I	IDE channel 0 I/O channel ready signal.
W3	L3	ICHRDYB	I	IDE channel 1 I/O channel ready signal.
N2, V1	U2, M1	IDREQA IDREQB	I	IDE channel 0/1 DMA request signals.
N3, V2	U3, M2	IDACKA# IDACKB#	O	IDE channel 0/1 DMA acknowledge signals.
N5, V5	U5, M5	IIRQ[A:B]/ IRQ[14:15]	I	IDE channel 0/1 interrupt request signals. These are the synchronous interrupt request inputs to the 8259 controller.
N4, M1, M2	U4, V1, V2	IDSAA[2:0]	O	IDE channel 0 address [2:0].
V3, U1, U2	M3, N1, N2	IDSBA[2:0]	O	IDE channel 1 address [2:0].
M3	V3	SDOEH	O	This signal connects to the DIR pin of 74LS245 and is used to control the data flow of ISA highbyte data bus. When a “0” is output, the direction of data is going into SiS Chip, when a “1” is output, the direction of data is going out of SiS Chip. When the IDE/ISA bus is used by IDE, this signal is “1”.
N6	U6	SDOEL	O	This signal connects to the DIR pin of 74LS245 and is used to control the data flow of ISA lowbyte data bus. When a “0” is output, the direction of data is going into SiS Chip, when a “1” is output, the direction of data is going out of SiS Chip. When the IDE/ISA bus is used by IDE, this signal is “1”.
A13	AJ13	OSC	I	It is the buffered input of the external 14.318MHz oscillator.
B9	AH9	BCLK	O	ISA bus clock, for ISA bus controller, ISA bus interfaces and the DMA controller. It can be programmed to derive from the PCICLK or 7.159MHz from the 14MHz clock.
B12	AH12	IO16#	I	16-bit I/O chip select indicates that the AT bus cycle is a 16-bit I/O transfer when asserted or an 8-bit I/O transfer when it is negated.
C12	AG12	M16#	I	16-bit memory chip select indicates a 16-bit memory transfer when asserted or an 8-bit memory transfer when it is negated.



C15	AG15	AEN	O	Address Enable is driven high on the ISA bus to indicate the address lines are valid in DMA or ISA master cycles. It is low otherwise.
E16	AE16	IORDY	I/O	I/O channel ready is normally high. It can be pulled low by the slow devices on the AT bus to add wait states for the ISA memory or I/O cycles. When a DMA or an ISA master accesses a target, IORDY is an output to control the wait states.
D27	AF27	IOCHK#/ GPIO9/ THRM#	I/O	I/O Channel Check, or General Purpose Input/Output, or Thermal Detect. Please refer to “Multiplexed pins” section to define the pin function.
B13	AH13	BALE	O	Bus address latch enable is used on the ISA bus to latch valid address from the CPU. Its falling edge starts the ISA command cycles.
C9	AG9	MR16#	I	Master is an active low signal from AT bus. When active, it indicates that the ISA bus master has the control of the system. The address and control signals are all driven by the ISA bus master.
C11	AG11	MEMR#	I/O	AT bus memory read command signal is an output pin during AT/DMA/refresh cycles and is an input pin in ISA master cycles.
B11	AH11	MEMW#	I/O	AT bus memory write command signal is an output pin during AT/DMA cycles and is an input pin in ISA master cycles.
D14	AF14	IOR#	I/O	AT bus I/O read command signal is an output pin during AT or DMA cycles and is an input pin in ISA master cycles. When low, it strobes an I/O device to place data on the data bus.
A15	AJ15	IOW#	I/O	AT bus I/O write command signal is an output pin during AT or DMA cycles and is an input pin in ISA master cycles. When low, it strobes data on the data bus into a selected I/O device.
B15	AH15	SMEMR#	○	AT bus memory read. It instructs the memory devices to drive data onto the data bus. It is active only when the memory being accessed is within the lowest 1MB.



F14	AD14	SMEMW#	O	AT bus memory write. It instructs the memory devices to store the data presented on the data bus. It is active only when the memory being accessed is within the lowest 1MB.
A16	AJ16	ZWS#	I	Zero wait state is an active low signal. The system ignores the IORDY signal and terminates the AT bus cycle without additional wait state when it is asserted.
E17	AE17	RFH#	I/O	Refresh signal is used to initiate a refresh cycle. This signal is an input in ISA bus master cycles and is an output in other cycles.
E13	AE13	SBHE#	I/O	Byte high enable signal indicates that the high byte has valid data on the ISA 16-bit data bus. This signal is an output except during ISA master cycles.
C13	AG13	TC	O	Terminal Count of DMA. A pulse is generated by the DMA controller when the terminal count (TC) of any channel reaches 1. When a TC pulse occurs, the DMA controller will terminate the service, and if auto-initialize is enabled, the base registers will be written to the current registers of that channel. The mask bit and the TC bit in the Status word will be set for the currently active channel unless the channel is programmed for auto-initialize. In that case, the mask bit remains clear.
A17, B17, C17, F17, D17, A18, B18, C18	AJ17, AH17, AG17, AD17, AF17, AJ18, AH18, AG18	SA[7:0]	I/O	System address 7~0. They are inputs when an external bus master is in control and are outputs at all other times.
F13, D13, A14, B14, E14, C14, A12, E12	AD13, AF13, AJ14, AH14, AE14, AG14, AJ12, AE12	IRQ[3:7], IRQ[9:11]	I	These are the synchronous interrupt request inputs to the SiS Chip internal 8259 controller.



D16, C16, F16, B16, A11, D12, E11	AF16, AG16, AD16, AH16, AJ11, AF12, AE11	DREQ[0:3], DREQ[5:7]	I	DMA Request inputs are used by external devices to indicate when they need service from the internal DMA controllers.
C10, B10, A10	AG10, AH10, AJ10	DACK[0:2] #	O	DMA acknowledge output are used by external devices to indicate when they need service from the internal DMA controllers.
C19	AG19	ROMKBCS #	O	Keyboard or System ROM Chip Select. When asserted, it means the keyboard or ROM is to be accessed.
A20	AJ20	SPK	O	Speaker is the output for the speaker.

#### 4.4.6 RTC/KBC

SiS5598 BALL No.	SiS5597 BALL No.	NAME	TYPE ATTR	DESCRIPTION
C20	AG20	KLOCK#/ GPIO0/ RAMWC#	I/O	This pin can used as the keyboard lock signal if internal KBC is enabled and Reg 70h bit 4 is set to "1" in PCI to ISA bridge configuration space. If this function is not needed, then it can be used as General Purpose Input/Output signal and can be control via configuration register. This pin can also use as the RAMWC# for the third DIMM RAM write enable.
B19	AH19	KBCLK/ GPIO2	I/O	When the internal KBC is enabled, this pin is used as the keyboard clock. If this function is not needed, then it can be used as General Purpose Input/Output signal and can be control via configuration register.
A19	AJ19	KBDAT/ IRQ1	I/O	When the internal KBC is enabled, this pin is used as the keyboard data. Otherwise, it is the IRQ1 signal use for external KBC.
D19	AF19	PMCLK/ GPIO1	I/O	When internal KBC is enabled, it can be served as PS2 mouse clock.
B20	AH20	PMDAT/ IRQ12	I/O	When in input mode, it functions as PMDAT if PS/2 mouse is enabled. If this function is not needed, then it can be used as ISA interrupt request 12.





C8	AG8	ONCTL#/ RTCALE	O	Power ON/OFF control. This open-drain output, powered by the RTCVDD, signals the main power supply that power should be turned on/off. When using external RTC: The signal is used to latch the address from the SD bus when CPU accesses RTC.
A8	AJ8	PSRSTB#	I	When using internal RTC: This signal is used as PSRSTB# (power strobe). PSRSTB# establishes the condition of the control register in RTC when power is first applied to the device.
D10	AF10	RTCVSS	PWR	RTC Ground.
A7	AJ7	RTCVDD	I	Power for internal RTC and APC.
E6	AE6	OSCI/ IRQ8#	I	When using internal RTC: This pin is used as the time base of the integrated RTC. This signal should be connected to 32.768 KHz crystal or oscillator input. When using external RTC: This pin is used as IRQ8#, which is the asynchronous interrupt request input to SiS Chip internal 8259 controller.
D6	AF6	OSCO/ RTCCS#	O	When using internal RTC: this pin should be connected the other end of the 32.768 KHz crystal or left unconnected if an oscillator is used. When using external RTC: This pin is used as chip select of RTC. It combine with IOR# and IOW# to generate RTCRD# and RTCWR#, that are used to store the data presented on the SD bus when CPU accesses the RTC.
C7	AG7	PWRGD	I	Power Good signal.

#### 4.4.7 PMU/ACPI Controller

SiS5598 BALL No.	SiS5597 BALL No.	NAME	TYPE ATTR	DESCRIPTION
E18	AE18	GPCS0	I/O	General Programmable Chip Select 0 can be controlled via registers. This signal also can be programmed as GPO Write Enable 0 to latch enable signal to an external 74F374 for general purpose outputs from SD[7:0] bus.





E10	AE10	STARTREQ#/ GPIO5	I/O	General Purpose Input/Output. If used as STARTREQ#, a high to low transition indicates a power up event which activates ONCTL#.
D26	AF26	GPIO7/ OCO#/ OCI2#	I/O	General Purpose Input/Output. If this function is not needed, then it can be used as Global Power Enable Switch of USB port or Over Current Detect of USB port. Global Power Enable Switch is used to control the external Power-Distribution Switches logic to power off the USB power supply lines.
H26	AB26	GPIO8/ OCI1#	I/O	General Purpose Input/Output. If this function is not needed, then it can be used as Over Current Detect of USB port and it must be programmed as input mode. Over Current Detect is used to detect the status of the USB power supply lines.
B7	AH7	GPIO10/ ACPILED	I/O	General Purpose Input/Output. If this function is not needed, then it can be used as ACPILED signal to control LED on/off in ACPI power saving state.
B22	AH22	TURBO/ EXTSMI#	I	When this signal be programmed as TURBO. This pin is used to slow down the system by connecting it to ground. When this signal be programmed as EXTSMI#. A signal from the break switch will cause the system enters the standby state. The pulse width of the EXTSMI# must greater than 4 CPUCLK.
D20	AF20	GPCS1/ SIRQ	I/O	General Programmable Chip Select 1 can be controlled via registers. This signal also can be programmed as GPO Write Enable 1 to latch enable signal to an external 74F374 for general purpose outputs from SD[7:0] bus. It is available as Serial Interrupt ReQuest function, it is a wired-OR signal and support ISA standard IRQs within PCI-based system.
B8	AH8	RING	I	When enable, detection of RING pulse or pulse train activates the ONCTL# pin. The pulse must be 4ms at least, and only one pulse in a sec. Engineering note: Input is blocked to reduce leakage current when either the APC's ring event is disabled or the APC is powered by RTCVDD.



A9	AJ9	PWRBT#	I	Power Button. This function provide the user interface control used to cycle the system between the sleeping and working states through Power Button switch. It also support the power-button-over function for system power off if it is pressed over 4 sec.
D11	AF11	SWITCH	I	Power On/Off switch. Indicated a Switch On/Off request. When PWRGD is low, an active low on the SWITCH indicates a SWITCH-on request event. When PWRGD is high, the logic indicates a SWITCH-off request event. The pin has a schmitt-trigger input buffer and a debounce protection of at least 30ms.

#### 4.4.8 USB Controller

SiS5598 BALL No.	SiS5597 BALL No.	NAME	TYPE ATTR	DESCRIPTION
B21, E19	AH21, AE19	UV0+, UV0-	I/O	When USB function port 0. These two pins are used as the differential USB data bus pair of port 0.
C21, A22	AG21, AJ22	UV1+, UV1-	I/O	When USB function port 1. These two pins are used as the differential USB data bus pair of port 1.
A21	AJ21	UCLK48	I	48 Mhz USB clock .



4.4.9 Graphic Controller

SiS5598 BALL No.	SiS5597 BALL No.	NAME	TYPE ATTR	DESCRIPTION
B28	AH28	HSYNC	O	Horizontal Sync
F25	AD25	VSYNC	O	Vertical Sync
A23	AJ23	BLANK#	I/O	Blank Video signal
B23	AH23	PCLK	I/O	Pixel Clock
E20, C23, D23, E23, D21, B24, C24, D24	AE20, AG23, AF23, AE23, AF21, AH24, AG24, AF24	VIDEO[7:0 ]	I/O	Video Data Bus
D25	AF25	DDCDAT0	I/O	Display Data Channel Data Line
B26	AH26	DDCCLK0	I/O	Display Data Channel Clock Line
F26	AD26	ENSYNC	I	Enable Sync Output
G25	AC25	ENVIDEO	I	Enable Video Data Output
C28	AG28	ENDCLK	I	Enable Video Clock Output
A26	AJ26	ROUT	A. O	Red Video Signal Output
A25	AJ25	GOUT	A. O	Green Video Signal Output
A24	AJ24	BOUT	A. O	Blue Video Signal Output
B25	AH25	COMP	A. I	Compensation PinBypass this pin with an external 0.1 uF capacitor to AVDD.
E24	AE24	RSET	A. I	Reference Resistor. An external resistor is connected between the RSET pin and AGND to control the magnitude of the full-scale current.
C25	AG25	EXTVREF	A.I	External Voltage Reference. An external voltage is used, it must supply this input with a 1.235V reference.
D22	AF22	VREF	A. I	<b>Internal</b> Voltage Reference

NOTE: A. I: Analog Input; A. O: Analog Output



**4.4.10 Power Pins**

SiS5598 BALL No.	SiS5597 BALL No.	NAME	TYPE ATTR	DESCRIPTION
AF20, D7	D20, AF7	DLLVDD0, DLLVDD1	PWR	+3.3V DC power for DLL circuit.
AE20, E7	E20, AE7	DLLVSS0, DLLVSS1	PWR	Ground for DLL circuit.
E22, B27, E25	AE22, AH27, AE25	AVDD1, AVDD2, AVDD3	PWR	+3.3V DC power for VGA Controller.
E21, C26, C27	AE21, AG26, AG27	AVSS1, AVSS2, AVSS3	PWR	Ground for VGA Controller.
D15, H2	AF15, AB2	VCC5	PWR	+5V DC power for 5V safe input buffers in a system requiring 5V I/O tolerance.
E15, F15, R5, R6, R24, R25, AD15, AE15	E15, F15, R5, R6, R24, R25, AD15, AE15	DVDD	PWR	+3.3V I/O PAD DC power.
K12, K13, K17, K18, M10, M20, N10, N20, U10, U20, V10, V20, Y12, Y13, Y17, Y18,	K12, K13, K17, K18, M10, M20, N10, N20, U10, U20, V10, V20, Y12, Y13, Y17, Y18,	OVDD	PWR	+3.3V DC power for main voltage supply of SiS Chip.
D18, K5, U24, AF10	AF18, Y5, N24, D10	PVDD	PWR	+3.3V DC power
M[12:18], N[12:18], P[12:18], R[12:18], T[12:18], U[12:18], V[12:18]	M[12:18], N[12:18], P[12:18], R[12:18], T[12:18], U[12:18], V[12:18]	GND	PWR	Ground.

**4.4.11 Misc. Pins**

SiS5598 BALL No.	SiS5597 BALL No.	NAME	TYPE ATTR	DESCRIPTION
A3, A27, C1, C29, AG1, AG29, AJ3, AJ27	AJ3, AJ27, AG1, AG29, C1, C29, A3, A27	NC	NC	Not Connect
C22	AG22	TEST#	I	Test mode Select for NAND Tree chain.



## 5. Hardware Trap

Several pins in the SiS Chip are used for trapping purpose to identify the hardware configurations at the power-up stage. These pins should be defined as “1” if pull-up resistors are used; and these pins should be “0” if pull-down resistors are used. The following table is a summary of all the Hardware Trap pins in SiS Chip.

SiS5598 Ball No	SiS5597 Ball No	Symbol	Description
AD26	F26	MD53	<b>Internal DLL circuit for CPU clock to optimize timing Control</b> Pull-up : Disable Pull-down : Enable
AA25	J25	MD54	<b>Internal DLL circuit for PCI clock to optimize timing Control</b> Pull-up : Disable Pull-down : Enable
Y29	K29	MD33	<b>Integrated VGA Controller Control</b> Pull-up : Disable Pull-down : Enable
W26	L26	MD34	<b>IDSEL for Integrated VGA Controller Control</b> Pull-up : AD30 Pull-down : AD31
V26	M26	MD27	<b>VGA PCI Interrupt (INTA#) Control</b> Pull-up : Enable Pull-down : Disable
U28	N28	MD22	<b>VGA internal clock generator (MCLK) Control</b> Pull-up : Enable Pull-down : Disable
C22	AG22	TEST#	<b>Ball connectivity test mode</b> Pull-up : Disable Pull-down : Enable
A08	AJ08	PSRSTB#	<b>Connect to battery's power strobe: Select internal RTC.</b> Pull-down: Select external RTC.



## 6. Register Description

### 6.1 Host to PCI bridge configuration space

Device	IDSEL	Function Number
Host to PCI bridge	AD11	0000b

#### Register 00h~01h Vendor ID

Bits 15:0 1039h

#### Register 02h~03h Device ID

Bits 15:0 5597h

#### Register 04h~05h Command

Bits 15:10 Reserved

Bit 9 Fast Back-to-Back Enable

Bit 8 Reserved

Bits 7:2 Reserved and read as 01h.

Bit 1 Control a device's response to memory space accesses

0: Disable the device response

1: Allow the device response, state after PCIRST# (via CPURST) is 0

Bit 0 Reserved and should be set to 1

#### Register 06h~07h Status

Bit 15 Detected Parity Error

This bit is always 0, SiS Chip does not support parity checking on the PCI bus.

Bit 14 Reserved

Bit 13 Received Master Abort.

This bit is set by SiS Chip whenever it terminates a transaction with master abort. This bit is cleared by writing a 1 to it.

Bit 12 Received Target Abort.

This bit is set by SiS Chip whenever it terminates a transaction with target abort. This bit is cleared by writing a 1 to it.

Bit 11 Signaled Target Abort.

This bit is always 0 since SiS Chip will not terminate a transaction with target abort.

Bits 10:9 DEVSEL# Timing DEVT.

The two bits define the timing to assert DEVSEL#. The default value is DEVT=01. In fact, the SiS Chip always asserts DEVSEL# in medium timing.

Bit 8 Reserved



**Bits 7:0** Reserved and read as “00h”

**Register 08h** Revision Identification.

**Bits 7:0** 02h

**Register 09h** Class ID

**Bits 7:0** 00h

**Register 0Ah** Sub-Class Code

**Bits 7:0** 00h

**Register 0Bh** Base Class Code

**Bits 7:0** 06h

**Register 0Ch** Cache Line Size

**Bits 7:0** 00h

**Register 0Dh** Master latency timer

**Bits 7:0** Master latency timer

The default value is FFh, it means 255 PCI clocks.

Unit: PCI Clocks

**Register 0Eh** Header Type

**Bits 7:0** 00h (read only)

**Register 0Fh** BIST

**Bits 7:0** 00h (read only)

**Register 50h** Host Interface and DRAM arbiter (default = 00h)

**Bit 7** NA# assert Control

0: Disable

1: Enable

**Bit 6** NA# asserted on All Single Write Cycle (for internal dirty SRAM)

0: Enable (when using internal dirty SRAM)

1: Disable (When using AMD K6 write allocation function)



- Bit 5**      **NA# Delay 1T on Burst read Hit L2 Cache Cycle**  
0: Disable  
1: Enable (when using two banks P.B.SRAM)
- Bit 4**      **NA# Assert before the 1st BRDY# on Burst Read Miss Cycle (only available in cacheless system to improve the performance)**  
0: Disable  
1: Enable
- Bit 3**      **Write Merge Control**  
0: Disable  
1: Enable
- Bit 2**      **Read Write Reorder Control**  
0: Disable  
1: Enable
- Bit 1**      **Reserved, must be 0.**
- Bit 0**      **Reserved, must be 0.**

**Register 51h    L2 Cache Controller (default = 00h)**

- Bit 7**      **L2 Cache exists Selection**  
0: No L2 Cache  
1: L2 Cache Exists  
When no L2 exists, this bit should be programmed to 0.
- Bit 6**      **L2 Cache Enable**  
0: Disable  
1: Enable
- Bits 5:4**    **L2 Cache Size**  
00: Reserved  
01: 256K  
10: 512K  
11: Reserved
- Bit 3**      **L2 Cache WT/WB Policy**  
0: Write Through Mode (only for cache sizing)  
1: Write Back Mode
- Bit 2**      **L2 Cache Burst Addressing mode**  
0: Toggle Mode  
1: Linear Mode ( For Cyrix CPU )
- Bit 1**      **L2 Cache Tag Size Selection**  
0: 7 bits : TA7 is dirty bit and disable internal dirty SRAM  
1: 8 bits : using internal dirty SRAM
- Bit 0**      **L2 Cache Sizing Enable**  
0: Normal Operation  
1: Always Cache Hit





**Register 52h Control Register (default = 00h)**

- Bit 7 CPU L1 Cache Write Back Mode Enable**  
0: Disable  
1: Enable
- Bit 6 Single read Allocation (L2 update) Control**  
0: Disable  
1: Enable
- Bit 5 Read FIFO Control**  
0: Disable  
1: Enable
- Bit 4 Reserved**
- Bit 3 Reserved**  
This bit should be programmed to 0.
- Bit 2 Reserved**  
This bit is programmed to 0.
- Bit 1 DRAM Refresh Mode (internal use only)**  
0: Normal Mode  
1: Test Mode
- Bit 0 Internal SRAM test mode (internal use only)**  
0: Normal Mode  
1: Test Mode

**Register 53h DRAM Control Register (default = 38h)**

- Bits 7:6 Starting point of Paging function select**  
00: 1T (Recommended)  
01: 2T  
10: 4T  
11: 8T  
Note: This setting is used to control the start timing of the page operations which defined in bit[5:3].
- Bit 5 Always Page Miss After Write DRAM Cycles**  
0: Disable  
1: Enable
- Bit 4 Always Page Miss After Data Read DRAM Cycles**  
0: Disable  
1: Enable
- Bit 3 Always Page Miss After Code Read DRAM Cycles**  
0: Disable  
1: Enable
- Bits 2:1 Refresh cycle time**  
00: 15.6 us



01: 62.4 us  
10: 124.8 us  
11: 187.2 us

**Bit 0**      **Reserved**

**Register 54h    DRAM Control Register 0(default = 54h)**

**Bits 7:6    RAS pulse width when refresh Cycle**  
00: 5T for EDO/FP DRAM and 4T for SDRAM  
01: 6T for EDO/FP DRAM and 5T for SDRAM  
10: 7T for EDO/FP DRAM and 6T for SDRAM  
11: 8T for EDO/FP DRAM and 7T for SDRAM

**Bits 5:4    RAS precharge time**  
00: 2T  
01: 3T  
10: 4T  
11: 5T

**Bits 3:2    RAS to CAS delay**  
00: 2T  
01: 3T  
10: 4T  
11: 5T

**Bit 1        CAS pulse width only for FPM DRAM**  
0: 2T  
1: 1T

**Bit 0        CAS pulse width only for EDO DRAM**  
0: 2T  
1: 1T

**Register 55h    FPM/EDO DRAM Control Register 1(default = 00h)**

**Bit 7        RAMWA/B/C# assertion timing when read cycle followed by write cycle**  
0: 3T  
1: 2T

**Bit 6        EDO test mode**  
0: Normal mode  
1: Test mode (for DRAM sizing)

**Bit 5        SDRAM Read Cycle Delay 1T when Pipelined after Write Cycle**  
0: Disable(Normal)  
1: Enabled(Recommended in 75 MHz or higher frequency)

**Bits 4:3    CAS Precharge Time for FPM DRAM**  
00: 1T  
01: 1T during burst cycles, 2T for different cycles (1 wait state between cycles)



- 10: 2T
- 11: Reserved
- Bits 2:1 CAS Precharge Time for EDO DRAM**
  - 00: 1T
  - 01: 1T during burst cycles, 2T for different cycles (1 wait state between cycles)
  - 10: 2T
  - 11: Reserved
- Bit 0 Reserved**

**Register 56h Memory Data Latch Enable (MDLE) Delay Control Register**

- Bit 7 SRAS#/SCAS#/RAMW# Pre-state Enable Bit (SDRAM)**
  - 0: Disable
  - 1: Enable (Recommended)
- Bit 6 Delay EDO/FPM DRAM Read Lead-off Cycle 1T**
  - 0: Disable (Lead-off time = 5T)
  - 1: Enable (Lead-off time = 6T)
- Bits 5:4 SDRAM Read Cycle Lead-off Time**
  - 00: Normal (Lead-off time is 6T when CAS Latency is 2T or Lead-off time is 7T when CAS Latency is 3T)
  - 01: Faster (Lead-off time is 5T when CAS Latency is 2T or Lead-off time is 6T when CAS Latency is 3T)
  - 10: Slower (Lead-off time is 7T when CAS Latency is 2T or Lead-off time is 8T when CAS Latency is 3T)
- Bit 3 SDRAM Sizing Enable bit Control**
  - 0: Disable
  - 1: Enable
  - This bit must set to '1' before initializing the SDRAM sizing. Once the SDRAM sizing completed, this bit must set to '0'.
- Bits 2:0 MDLE Delay**

000 : No delay	001 : delay 1 ns
010 : delay 2 ns	011 : delay 3 ns
100 : delay 4 ns	101 : delay 5 ns
110 : delay 6 ns	111 : delay 7 ns

**Register 57h SDRAM Control Register**

- Bit 7 Precharge Command**
  - 0: Disable
  - 1: Enable
  - (After the cycle completes, this bit will be cleared automatically.)
- Bit 6 Mode Register Set Command**



- 0: Disable Command Cycle  
1: Enable Command Cycle
- Bit 5 For SDRAM sizing Refresh Command**  
0: Disable  
1: Enable  
(After the cycle completes, this bit will be cleared automatically.)
- Bit 4 CAS Latency**  
0: 2T  
1: 3T
- Bit 3 SDRAM write retire rate**  
0: X-2-2-2  
1: X-1-1-1
- Bit 2 SDRAM wait state control during Precharge Command**  
0: One wait state (Recommended)  
1: Zero wait state
- Bit 1 Pin Definition Select for MA0B/SRAS1#, MA1B/SCAS1#**  
0: MA0B, MA1B  
1: SRAS1#, SCAS1#
- Bit 0 Pin Definition Select for KLOCK#/GPIO0/RAMWC#**  
0: RAMWC#  
1: KBLOCK#/GPIO0

#### Register 58h

- Bit 7 SDRAM ROWHIT RAS# Precharge Time Control**  
0: Always ROWHIT(Recommended)  
1: ROWHIT from Address Comparing Circuit
- Bits 6:5 When for DLL to Lock the Reference Clock Source**  
00: 4T(T is the reference clock source for DLL)  
01: 8T  
10: 16T  
11: 32T  
Adjust the locking frequency by every x clocks.
- Bit 4 DLL Function Test Mode**  
0: Normal Mode  
1: Test Mode
- Bit 3 RAS#/CS# Assertion Timing When Refresh Cycles**  
0: Normal  
1: 1T Command Pulse  
This bit must set to 1 if use SDRAM.
- Bit 2 SDRAM Back-to-Back Read Timing**



0: 5-1-1-1-2-1-1-1

1: 5-1-1-1-1-1-1-1

Only for cacheless systems, and Fast Read enabled (Host to PCI:56h[5:4]=01), and NA# 1T ahead BRDY# enabled (Host to PCI:50h[4]=1)

**Bits 1:0**    **Reserved**

**Register 59h    DRAM signals driving current Control (default = 00h)**

**Bit 7**        **Selection of RAS[5:0]# Current Rating**

0: 4mA

1: 8mA

**Bit 6**        **Selection of CAS[7:0]# Current Rating**

0: 12mA

1: 16mA

**Bit 5**        **Selection of MA[14:2] Current Rating**

0: 6mA

1: 16mA

**Bit 4**        **Selection of MA[1:0]A Current Rating**

0: 6mA

1: 16mA

**Bit 3**        **Selection of MA[1:0]B Current Rating**

0: 6mA

1: 16mA

**Bit 2**        **Selection of RAMWA#/RAMWC# Current Rating**

0: 12mA

1: 16mA

**Bit 1**        **Selection of RAMWB# Current Rating**

0: 12mA

1: 16mA

**Bit 0**        **Selection of SRAS#/SCAS# Current Rating**

0: 12mA

1: 16mA

**Register 5Ah    PCI signals driving current Control**

**Bits 7:2**    **Reserved**

**Bit 1**        **Selection of AD[31:0] Current Rating**

0: 4mA

1: 8mA

**Bit 0**        **Selection of FRAME#, IRDY#, TRDY#, DEVSEL#, STOP#, PAR, C/BE[3:0]# and PGNT[3:0]# Current Rating**

0: 4mA

1: 8mA



**Register 5Bh~5Fh Reserved**

**Register 60h/61h/62h DRAM Bank 0/1/2 Register**

**Bits 7:6 DRAM Mode Selection**

- 00: FPM DRAM
- 01: EDO DRAM
- 10: Reserved
- 11: SDRAM

**Bit 5 Double/Single Sided DRAM**

- 0: Single Sided
- 1: Double Sided

**Bit 4 Half/Full DRAM Populated**

- 0: 64 bits DRAM is Populated
- 1: 32 bits DRAM is Populated

**Bits 3:0 DRAM Type Selection**

For EDO/FPM DRAM :

- |                             |                            |
|-----------------------------|----------------------------|
| 0000 : 256K Symmetric 9x9   | 0001 : 1M Symmetric 10x10  |
| 0010 : 4M Symmetric 11x11   | 0011 : 16M Symmetric 12x12 |
| 0100 : 1M Asymmetric 12x8   | 0101 : 2M Asymmetric 12x9  |
| 0110 : 4M Asymmetric 12x10  | 0111 : 8M Asymmetric 12x11 |
| 1000 : 512K Asymmetric 10x9 | 1001 : 1M Asymmetric 11x9  |
| 1010 : 2M Asymmetric 11x10  | Others : Reserved          |

For SDRAM :

- |                            |                            |
|----------------------------|----------------------------|
| 0000 : 1M 12x8 (2 banks)   | 0001 : 4M 14x8 (2 banks)   |
| 0010 : 4M 14x8 (4 banks)   | 0011 : 8M 15x8 (4 banks)   |
| 0100 : 2M 12x9 (2 banks)   | 0101 : 8M 14x9 (2 banks)   |
| 0110 : 8M 14x9 (4 banks)   | 0111 : 16M 15x9 (4 banks)  |
| 1000 : 4M 12x10 (2 banks)  | 1001 : 16M 14x10 (2 banks) |
| 1010 : 16M 14x10 (4 banks) | 1011 : 32M 15x10 (4 banks) |
| 1100 : 2M 13x8 (4 banks)   | Others: Reserved           |

**Register 63h DRAM Status (Default=FFh)**

**Bits 7:3 Reserved**

**Bit 2 DRAM Status for Bank2**

- 0: Absent
- 1: Installed

**Bit 1 DRAM Status for Bank1**

- 0: Absent
- 1: Installed

**Bit 0 DRAM Status for Bank0**



0: Absent  
1: Installed

**Register 64h~6Bh Reserved**

**Register 6Ch Integrated VGA Controller Control**

When CPU accesses off-board DRAM, it will be forwarded to PCI side then write to or read from shared memory area data through VGA chip. If we define a shared memory hole area (any logical area) we can access the shared memory area by remapping the logical area to physical area of the shared memory through system chip. System can save some time wasted on PCI bus.

**Bit 7 Enable/Disable Integrated VGA Controller**

0: Disable  
1: Enable

**Bits 6:3 Shared Memory Size select (Map to HA[22:19])**

0001: 0.5MB	0010: 1MB
0011: 1.5MB	0100: 2MB
0101: 2.5MB	0110: 3MB
0111: 3.5MB	1000: 4MB
Others: Reserved	

**Bit 2 Shared Memory Hole Readable Control**

0: Disable  
1: Enable

**Bit 1 Shared Memory Hole Writable Control**

0: Disable  
1: Enable

**Bit 0 PCI Masters Access Shared Memory Hole Control**

0: Disable  
1: Enable

**Register 6Dh Starting Address of Shared Memory Hole HA[28:23]**

**Bits 7:2 Starting Address of Shared Memory Hole HA[28:23]**

**Bit 1 VGA Grant Pulse Width Control ( Must set this bit to 1)**

0: 1T  
1: 3T (Recommended)

**Bit 0 Reserved**

**Register 6Eh**

**Bit 7 VGA Request signal to VGA Grant signal Delay**



0: 5T for SDRAM (Include pure SDRAM, or SDRAM and FPM/EDO mix mode)  
1: 2T for FPM/EDO DRAM

**Bit 6 Test Mode ( Internal use only)**

0: Normal Mode

1: Test Mode

**Bits 5:0 Reserved**

**Register 6Fh Reserved**

**Register 70h to register 76h define the attribute of the Shadow RAM from 640 KByte to 1 MByte. All of the registers 70h to 75h are defined as below, and each register defines the corresponding memory segment's attribute which are listed in the following table.**

Register	Defined Range	Register	Defined Range
register 70h bits 7:5	0C0000h-0C3FFFh	register 73h bits 7:5	0D8000h-0DBFFFh
register 70h bits 3:1	0C4000h-0C7FFFh	register 73h bits 3:1	0DC000h-0DFFFFh
register 71h bits 7:5	0C8000h-0CBFFFh	register 74h bits 7:5	0E0000h-0E3FFFh
register 71h bits 3:1	0CC000h-0CFFFFh	register 74h bits 3:1	0E4000h-0E7FFFh
register 72h bits 7:5	0D0000h-0D3FFFh	register 75h bits 7:5	0E8000h-0EBFFFh
register 72h bits 3:1	0D4000h-0D7FFFh	register 75h bits 3:1	0EC000h-0EFFFFh

**Register 70h/71h/72h/73h/74h/75h shadow RAM Registers**

**Bit 7 Read enable**

**Bit 6 L1/L2 cacheable**

**Bit 5 Write enable**

**Bit 4 Reserved**

**Bit 3 Read enable**

**Bit 2 L1/L2 cacheable**

**Bit 1 Write enable**

**Bit 0 Reserved**

**Register 76h Attribute of shadow RAM for BIOS area (default = 00h)**

**Bit 7 Read enable for shadow RAM of BIOS area 0F0000-0FFFFFFh**

**Bit 6 L1/L2 cacheable for shadow RAM of BIOS area 0F0000-0FFFFFFh**

**Bit 5 Write enable for shadow RAM of BIOS area 0F0000-0FFFFFFh**

**Bit 4 Reserved**

**Bit 3 Shadow RAM enable for PCI access**

**Bits 2:0 Reserved**





**Register 77h Characteristics of non-cacheable area (default = 00h)**

- Bits 7:4 Reserved**
- Bit 3 Allocation of Non-Cacheable Area I**
  - 0: Local DRAM
  - 1: PCI Bus. The local DRAM is disabled.
- Bit 2 Non-Cacheable Area I Enable**
  - 0: Disable
  - 1: Enable
- Bit 1 Allocation of Non-Cacheable Area II**
  - 0: Local DRAM
  - 1: PCI Bus. The local DRAM is disabled.
- Bit 0 Non-Cacheable Area II Enable**
  - 0: Disable
  - 1: Enable

**Register 78h~79h Allocation of Non-Cacheable area I ( default = 00h)**

- Bits 15:13 Size of Non-Cacheable Area I (within 384 MBytes)**

000: 64KB	100: 1MB
001: 128KB	101: 2MB
010: 256KB	110: 4MB
011: 512KB	111: 8MB
- Bits 12:0 A28~A16 Non-Cacheable Area I (within 384 MBytes)**

**Register 7Ah~7Bh Allocation of Non-Cacheable area II (default = 00h)**

- Bits 15:13 Size of Non-Cacheable Area II (within 384 MBytes)**

000: 64KB	100: 1MB
001: 128KB	101: 2MB
010: 256KB	110: 4MB
011: 512KB	111: 8MB
- Bits 12:0 A28~A16 Non-Cacheable Area II (within 384 MBytes)**

**Register 7Ch~7Fh Reserved**

**Register 80h PCI master characteristics**

- Bits 7:5 Burstable Length Selection**
  - 000: 256B
  - 001: 512B
  - 010: 1KB
  - 011: 2KB
  - 100: 4KB



Others: reserved

Maximum burstable address range in PCI master accessing main memory when 32-bit DRAM organization is employed with 256K or 512K type DRAM maximum burstable range reduces to 2KB only because the physical page size is 2KB in this situation. Thus, never program these bits to 4KB in 32 bit DRAM organization.

**Bit 4 TRDY# assertion timing in PCI master read cycle**

0: Assert TRDY# after prefetching 2 QWs

1: Assert TRDY# after prefetching 1 Qws

**Bit 3 Advanced snoop in PCI master write cycle**

0: Disable

1: Enable

**Bit 2 Advanced snoop in PCI master read cycle**

0: Disable

1: Enable

**Bit 1 PCI bus using synchronous mode**

0: Disable (default)

1: Enable

**Bit 0 Reserved**

**Register 81h**

**Bit 7 The timing for SiS Chip to prefetch FPM DRAM data to CTPFF (CPU to PCI FIFO)**

0: 1 CPUCLK delay from the assertion of CAS# (recommended in 50Mhz)

1: 2 CPUCLK delay from the assertion of CAS# (recommended in 60/66/75Mhz)

**Bit 6 The timing for SiS Chip to prefetch EDO DRAM data to CTPFF**

0: 1 CPUCLK delay from the assertion of CAS# (recommended in 50Mhz)

1: 2 CPUCLK delay from the assertion of CAS# (recommended in 60/66/75Mhz)

**Bit 5 Reserved**

**Bit 4 This bit must be programmed to "0".**

**Bit 3 Synchronous DRAM burst read in PCI master read cycle**

0: Disable (default)

1: Enable

**Bit 2 Enable CPU to L2/DRAM and PCI Peer-to-Peer concurrency mode**

0: Disable

1: Enable

**Bit 1 Internal use only, must be 0.**

**Bit 0 Reserved**

**Register 82h**

**Bit 7 PCI master write main memory cycles**



0: Faster (default)  
1: Slower (Recommended at 75 MHz)

**Bit 6 PEADS timing control in PCI master to main memory cycles**

0: Faster (default)  
1: Slower (Recommended at 75 MHz)

When PCI master initiating memory cycle, SiS Chip will check ROW address on the CPU clock rising edge that PEADS is active. PEADS is expected as the first EADS# of every PCI bus transaction. Note that PEADS is internal signal.

**Bit 5 Enhanced performance for the *Memory Write and Invalidate* of PCI bus command**

0: Disable (default)  
1: Enable

Note: This bit must set to 0 if using 512K cache size and TAG address is set to 8 bits.

**Bit 4 Read prefetch for the *Memory Read* of PCI bus command**

0: Enable (default)  
1: Disable

If enabled, the *Memory Read Multiple and Memory Read Line* of PCI bus commands always do prefetch.

**Bits 3:2 PCI Target Bridge of SiS Chip Initial Latency Timer**

00: Disable (default)  
01: 16 PCI Clocks  
10: 24 PCI Clocks  
11: 32 PCI Clocks

**Bit 1 PCI Target Bridge of SiS Chip Subsequent Latency Timer**

0: Disable (default)  
1: Enable

**Bit 0 Propagation delay time of AD bus control**

0: Normal (Recommended)  
1: Slower

When set, the SiS Chip timing is adjusted to serve those bus master agents that do not follow the PCI specification to have 12ns max. propagation delay time of AD in the address phase.

**Register 83h CPU to PCI characteristics (default 00)**

**Bit 7 Fast gate A20 emulation**

0: Disable  
1: Enable (recommended)

**Bit 6 Fast reset emulation**

0: Disable  
1: Enable (recommended)



- Bit 5      Fast reset latency control**  
0: 2us  
1: 6us
- Bit 4      Fast back-to-back function when the PCI cycle hit IDE or prefetchable area.**  
0: Disable  
1: Enable (recommended)
- Bit 3      CPU to PCI post write rate control**  
0: 4T  
1: 3T (recommended)
- Bit 2      IDE Data port post write function**  
0: Disable  
1: Enable (recommended)
- Bit 1      CPU to PCI burst memory write**  
0: Disable  
1: Enable (recommended)
- Bit 0      CPU to PCI post write function**  
0: Disable  
1: Enable (recommended)

**Register 84h~85h   PCI grant timer**

**Bits 15:0   16 bits PCI Grant Timer**

The timer-expire interval is translated by the follow equation:

$$\text{Timer-Expire Interval} = (\text{Timer Counter} - 1)$$

**Note:** Unit : PCI clock

**Register 86h   CPU idle timer**

**Bits 7:0    8 bits CPU idle timer**

The timer-expire interval is translated by the follow equation:

$$\text{Timer-Expire Interval} = (\text{Timer Counter} - 1)$$

**Note:** Unit : PCI clock

**Register 87h   Miscellaneous register (default 00)**

**Bit 7      CPU to PCI Bridge Synchronous Mode**

0: Disable

1: Enable (recommended)

**Bit 6      CPU involve arbitration**

0: Disable

1: Enable (recommended)

**Bit 5      The latency of ADS# to FRAME#**

0: Normal



- 1: Fast
- Bit 4 CPU latency timer Testing Mode**  
0: Disable  
1: Enable
- Bit 3 2nd Half PCI Cycle of a 64-bit Access Retried Behavior**  
0: Continue Retry (Recommended)  
1: Back-Off CPU
- Bit 2 PCI Lock Function Enable**  
0: Disable  
1: Enable
- Bits 1:0 Reserved**

**Register 88h~89h Base address of fast back-to-back area**

**Bits 15:0** 16 bits address A[31:16]

**Register 8Ah~8Bh Size of fast back-to-back area**

**Bits 15:0 Mask bits**

0: Enable mask

1: Disable mask

The SiS Chip will compare the current address with the base address (Register 8A~8B) by using the mask bits to determine whether to execute the fast-back-to-back or not. If the corresponding mask bit is 1, SiS chip will compare the current address bit with the base address bit. If the corresponding mask bit is 0, SiS Chip will not make the comparison.

**Register 8Ch/8Dh/8Eh/8Fh General Purpose Register**

**Bits 7:0 Reserved**

**Following two registers mainly defines the enable bits for the events monitored by System Standby timer. If any monitored event occurs during the programmed time, the System standby timer will be reloaded and starts to count down again.**

**Register 90h Legacy PMU control register**

**Bit 7 Hard Disk Port 1 Enable**

When set, any I/O access to the Hard Disk port 1 ( 1F0-1F7h or 3F6h) will cause the System Standby timer be reloaded.

**Bit 6 Keyboard port Enable**

When set, any I/O access to the keyboard Ports (60h or 64h) will cause the System Standby timer be reloaded.

**Bit 5 Serial Port 1 Enable**



When set, any I/O access to the Serial Ports (3F8-3FFh or 3E8-3EFh) will cause the System Standby timer be reloaded.

**Bit 4 Serial Port 2 Enable**

When set, any I/O access to the Serial Ports ( 2F8-2FFh or 2E8-2EFh) will cause the System Standby timer be reloaded.

**Bit 3 Parallel Port Enable**

When set, any I/O access to the Parallel ports ( 278-27Fh, 378-37Fh or 3BC-3BEh) will cause the System Standby timer be reloaded.

**Bit 2 Hold Enable**

When set, any event from the ISA master or the PCI Local Master will cause the System Standby timer be reloaded.

**Bit 1 IRQ1~15, NMI**

When set, any event from the IRQ1-15 or NMI which is defined by PCI to ISA bridge configuration Register 74 and 75 will cause the System Standby timer be reloaded.

**Bit 0 Monitor Ring event enable**

If this bit is set, an event from the RING will cause the System Standby timer be reloaded.

**Register 91h Address trap for Legacy PMU function**

**Bit 7 Programmable 10 bit I/O Port Enable**

When set, any I/O access to the address will cause the System Standby timer be reloaded. The address is defined in Registers 96h and 97h.

**Bit 6 Programmable 16 bit I/O Port Enable**

When set, any I/O access to the address will cause the System Standby timer be reloaded. The address is defined in Registers 98h and 99h.

**Bit 5 A0000h - AFFFFh or B0000 - BFFFFh Address trap**

When set, any memory access to the address range will cause the System Standby timer to be reloaded.

**Bit 4 C0000h - C7FFFh Address trap**

When set, any memory access to the address range will cause the System Standby timer to be reloaded.

**Bit 3 3B0-3BFh, 3C0-3CFh, 3D0-3DFh Address trap**

When set, any I/O access to the I/O addresses will cause the System Standby timer to be reloaded.

**Bit 2 Secondary Drive port**

When set, any I/O access to the secondary drive port (170-177h, 376h) will reload the system standby timer.

**Bits 1:0 System Standby Timer Slot**

11 : 8.85 milli seconds

10 : 70 milli seconds

01 : 1.1 seconds

00 : 9 seconds



### Register 92h

Bits 7:5 Define the Timer monitored events for the Monitor standby timer .  
Bits 4:2 Define the wake-up events from System standby state.  
Bits 1:0 Define the events to de-assert the STPCLK#.

**Bit 7 IRQ 1-15, NMI**

When set, any event from the IRQ1-15 or NMI which is defined by PCI to ISA bridge configuration Register 76 and 77 will cause the Monitor standby timer be reloaded.

**Bit 6 HOLD**

When set, any event from the ISA master or the PCI local master will cause the Monitor standby timer be reloaded.

**Bit 5 Reload Monitor Timer From RING signal**

When set, Monitor standby timer will be reloaded when RING is asserted.

**Bit 4 IRQ 1-15, NMI**

When enabled, any event from the IRQ1-15 or NMI which is defined by PCI to ISA bridge configuration Register 76 and 77 will bring the Monitor back to the Normal state from the Standby state.

**Bit 3 HOLD**

When enabled, any event from the ISA master or the PCI local master will bring the Monitor back to the Normal state from the Standby state.

**Bit 2 Ring Wakeup Enable**

If this bit is set, it will bring the Monitor back to the Normal state from the Standby state when RING is asserted.

**Bit 1 IRQ 1-15, NMI**

When enabled, any event from the IRQ1-15, GPIO or NMI which are defined by PCI to ISA bridge configuration Register 74h and 75h will de-assert the STPCLK#.

**Bit 0 HOLD**

When enabled, any event from the ISA master or the PCI local master will de-assert the STPCLK#.

### Register 93h STPCLK# and APM SMI control

**Bit 7 INIT**

When enabled, an event from the INIT will de-assert the STPCLK#.

**Bit 6 Ring Wakeup Enable**

When enabled, system will wake up from standby mode to de-assert the STPCLK# when RING is asserted.

**Bit 5 STPCLK# Enable**

When set, writing a '1' to bit 3 of Register 93h will cause the STPCLK# to become active. This bit can be cleared.



- Bit 4      Throttling Enable**  
When set, writing a '1' to bit 3 of Register 93h will cause the STPCLK# throttling state to become active. The throttling function can be disabled by clearing this bit.
- Bit 3      STPCLK# Control**  
When this bit is set, the STPCLK# will be asserted or the Throttling function will be enabled depending on bits 5 and 4. If both bits 5 and 4 are enabled, the system will do the throttling function.
- Bit 2      Pin Definition Select for EXTSMI#/TURBO**  
0: TURBO  
1: EXTSMI#  
The EXTSMI# function can be disabled by programming register 9Bh bit 1 to "0".
- Bit 1      APM SMI**  
When Register 9Bh bit 0 is enabled, and a '1' is written to this bit, an SMI is generated. It is used by the software controlled SMI function like APM. This bit should be cleared at the end of the SMI handler.
- Bit 0      Deturbo function**  
0: Disable  
1: Enable

**Register 94h    Cyrix 6x86 and PMU function control**

- Bit 7      Cyrix 6x86 SMAC access**  
It must be set whenever the 6x86 CCR1 bit 2 is set and cleared if CCR1 bit 3 is cleared.
- Bit 6      Cyrix 6x86 MMAC access**  
If set, access to address within SMM space is conducted to main memory instead of SMM area. It must be set whenever the 6x86 CCR1 bit 3 is set and cleared if CCR1 bit 3 is cleared.  
In the 6x86's specification, the SMIACT# will be de-asserted when MMAC is set and re-asserted after it is cleared. This allows the SMI service routine to access normal memory area instead of SMM memory area.
- Bit 5      Cyrix 6x86 CPU**  
It should be set if Cyrix 6x86 CPU is present.
- Bit 4      External SMI# Wakeup capability**  
0: Disable  
1: Enable  
When enabled, an event from External SMI will de-assert the STPCLK#.
- Bit 3      Flush Function Block Mode**  
0: Un-block  
1: Block  
It is suggested to block the FLUSH# ( Deturbo Mode) when the STPCLK# is asserted.
- Bit 2:0    Reserved**





### Register 95h

- Bit 7**     **IRQ SMI enable.**  
When set, any unmasked event defined at PCI to ISA Bridge configuration Register 72h-73h will cause the SMI to be generated.
- Bit 6**     **IRQ SMI status.**  
This bit is set when the bit 7 of this Register is enabled and the corresponding event is active.
- Bit 5**     **Throttling exit control**  
When Register 9B, bit 5 (Throttling wake up SMI enable) is set and STPCLK# is at throttling mode, set this bit will cause the STPCLK# de-asserted and SMI# generated.
- Bit 4**     **USB SMI enable**  
When this bit is set, a SMI# can be generated by USB controller.
- Bit 3**     **USB SMI request.**  
This is an USB SMI Request start bit. When the bit 4 of this register is set and the USB controller asserts a control signal to generated SMI#, this bit is set.
- Bit 2**     **Reserved**
- Bits 1:0**   **Legacy PMU test mode**  
00: Normal operation  
01: Counter test mode  
10: Fast test mode  
11: Reserved

### Register 96h   Time slot and Programmable 10-bit I/O port definition

- Bits 7:6**   **Define the time slot of the Monitor Standby timer**  
00 : 6.6 seconds  
01 : 0.84 seconds  
10 : 13.3 milli-seconds  
11 : 1.6 milli-seconds
- Bits 5:3**   **Programmable 10-bit I/O port address mask bits**  
000 : No mask  
001 : A0 masked  
010 : A1-A0 masked  
011 : A2-A0 masked  
100 : A3-A0 masked  
101 : A4-A0 masked  
110 : A5-A0 masked  
111 : A6-A0 masked
- Bit 2**     **Reserved**
- Bits 1:0**   **Programmable 10-bit I/O port address bits A1, A0.**



Bits 1:0 correspond to the address bits A1 and A0.

**Register 97h Programmable 10-bit I/O port address bits A9~A2**

**Bits 7:0 Define the programmable 10-bit I/O port address bits A[9:2].**

**Register 98h~99h Programmable 16-bit I/O port**

**Bits 15:0 Define the Programmable 16-bit I/O port.**

**Following two registers define the enable status of the devices in SMM. The bits are set when the devices are in standby state and cleared when the respective devices are in normal state.**

**Register 9Ah System Standby Timer events control**

**Bit 7 System Standby SMI Enable**

When no non-masked event occurs during the programmed duration of the system standby timer, the timer expires. If this bit is enabled, the SMI# is generated and the system enters the System Standby state.

**Bit 6 Programmable 10-bit I/O port wake up SMI Enable**

When set, any I/O access to this port will be monitored to generate the SMI# to wake up this I/O port from the standby state to the Normal state. This bit is enabled only when the I/O port is in the Standby state.

**Bit 5 Programmable 16-bit I/O port wake up SMI Enable**

When set, any I/O access to this port will be monitored to generate the SMI# to wake up this I/O port from the standby state to the Normal state. This bit is enabled only when the I/O port is in the Standby state.

**Bit 4 Parallel ports wake up SMI Enable**

When set, any I/O access to the parallel ports will be monitored to generate the SMI# to wake up the parallel ports from the standby state to the Normal state. This bit is enabled only when the parallel ports are in the Standby state.

**Bit 3 Serial port 1 wake up SMI Enable**

When set, any I/O access to the serial port 1 will be monitored to generate the SMI# to wake up the serial ports from the standby state to the Normal state. This bit is enabled only when the serial port 1 are in the Standby state.

**Bit 2 Serial port 2 wake up SMI Enable**

When set, any I/O access to the serial port 2 will be monitored to generate the SMI# to wake up the serial ports from the standby state to the Normal state. This bit is enabled only when the serial port 2 are in the Standby state.

**Bit 1 Hard Disk port 1 SMI Enable**

When set, any I/O access to the hard disk port 1 will be monitored to generate the SMI# to wake up the hard disk from the standby state to the Normal state. This bit is enabled only when the hard disk port 1 is in the Standby state.

**Bit 0 Hard Disk port 2 SMI Enable**



When set, any I/O access to the hard disk port 2 will be monitored to generate the SMI# to wake up the hard disk from the standby state to the Normal state. This bit is enabled only when the hard disk port 2 is in the Standby state.

**Register 9Bh Monitor Standby Timer events control**

**Bit 7 Monitor Standby SMI Enable**

0 : Disable

1 : Enable

When there is no access from the IRQ1-15, HOLD, RING and NMI during the programmed time of the Monitor Standby Timer, the timer expires. If this bit is set, an SMI is generated to bring the Monitor to the standby state.

**Bit 6 Monitor wake up SMI Enable**

When set, any event from the IRQ1-15, any bus master request, RING or NMI will be monitored to generate the SMI# to wake up the monitor from the standby state to the normal state.

**Bit 5 Throttling wake up SMI Enable**

When set, any unmasked event from the NMI, INIT, IRQ1-15, GPIO, EXTSMI#, RING or any bus master request will cause an SMI to be generated to bring the system back to the Normal state from the throttling state.

**Bit 4 System wake up SMI Enable**

When set, any unmasked event from the NMI, INIT, IRQ1-15, EXTSMI#, RING, GPIO or any bus master request will cause an SMI to be generated to bring the system back to the Normal state from the standby state.

**Bit 3 Keyboard wake up SMI Enable**

When set, any I/O access to the keyboard ports will be monitored to generate the SMI# to wake up the keyboard ports from the standby state to the Normal state. This bit is enabled only when the keyboard ports are in the Standby state.

**Bit 2 RING SMI Enable**

If this bit is set, it enables the SMI request from RING activity.

**Bit 1 External SMI Enable**

When set, the break switch (via EXTSMI#) can be pressed to generate the SMI# for the system to enter the Standby state.

**Bit 0 Software SMI Enable**

When set, an I/O write to bit 1 of register 93h will generate an SMI.

**Following two registers define the SMI request status. If the respective SMI enable bit is set, each specific event will cause the respective bit to be set. The asserted bit should be cleared at the end of the SMI handler.**

**Register 9Ch SMI Request events status 0**

**Bit 7 System Standby SMI Request**

This bit is set when the system standby timer expires.

**Bit 6 Programmable 10-bit I/O port wake up Request**



- This bit is set when there is an I/O access to the port.
- Bit 5 Programmable 16-bit I/O port wake up Request**  
This bit is set when there is an I/O access to the port.
- Bit 4 Parallel ports wake up Request**  
This bit is set when the parallel ports are accessed.
- Bit 3 Serial port 1 wake up Request**  
This bit is set when the serial port 1 are accessed.
- Bit 2 Serial port 2 wake up Request**  
This bit is set when the serial port 2 are accessed.
- Bit 1 Hard Disk port 1 wake up Request**  
This bit is set when the hard disk port 1 is accessed.
- Bit 0 Hard Disk port 2 wake up Request**  
This bit is set when the hard disk port 2 is accessed.

**Register 9Dh SMI Request events status 1**

- Bit 7 Monitor Standby SMI Request**  
This bit is set when the Monitor Standby Timer expires. This bit should be cleared at the end of the SMI handler.
- Bit 6 Monitor wake up Request**  
This bit is set when there is an event from the IRQ1-15, any bus master request or NMI which are defined by bits 2, 3, 4 of Register 92, and the Monitor is in the standby state.
- Bit 5 Throttling wake up SMI Request**  
This bit is set when there is any unmasked event from the NMI, INIT, IRQ1-15, RING, External SMI or any bus master request at the throttling state of the system.
- Bit 4 System wake up SMI Request**  
This bit is set when there is any unmasked event from the NMI, INIT, IRQ1-15, or RING, External SMI or any bus master request at the standby state of the system.
- Bit 3 Keyboard ports wake up Request**  
This bit is set when the keyboard ports are accessed.
- Bit 2 SMI request from RING**  
This bit is set when there is RING activity.
- Bit 1 External SMI Request**  
This bit is set when the break switch (via EXTSMI#) is pressed.
- Bit 0 Software SMI Request**  
This bit is set when an I/O write to the bit 1 of register 93h and bit 0 of register is 1.

**Register 9Eh STPCLK# Assertion Timer (default = FFh)**

- Bits 7:0 This register defines the period of the STPCLK# assertion time.**



Bits[7:0] define the period of the STPCLK# assertion time when the STPCLK# enable bit is set. The timer will not start to count until the Stop Grant Special Cycle is received. The timer slot is 35 us.

The timer-expire interval is translated by the follow equation:

$$\text{Timer-Expire Interval} = (\text{Timer Counter} - 1) \times 35\text{us}$$

**Register 9Fh STPCLK# De-assertion Timer (default = FFh)**

**Bits 7:0 This register defines the period of the STPCLK# de-assertion time.**

Bits[7:0] define the period of the STPCLK# de-assertion time when the STPCLK# enable bit is set. The timer starts to count when the STPCLK# assertion timer expires. The timer slot is 35us.

When these two registers are read, the current values are returned.

The timer-expire interval is translated by the follow equation:

$$\text{Timer-Expire Interval} = (\text{Timer Counter} - 1) \times 35\text{us}$$

**Register A0h~A1h Monitor Standby Timer (default = 00FFh)**

**Bits 15:0 Define the 16 bits Monitor standby timer.**

It is a count-down timer and the time slot is programmable for 6.6s, 0.84s, 13.3 ms or 1.6ms. The value programmed to this register is loaded when the timer is enabled and the timer starts counting down. The timer is reloaded when an event from the IRQ1-15, HOLD or NMI occurs before the timer expires. When this register is read, the current value is returned.

The timer-expire interval is translated by the follow equation:

$$\text{Timer-Expire Interval} = (\text{Timer Counter} - 1) \times \text{Time slot}$$

**NOTE:** The setting of Time slot please refer to register 96h bits 7:6.

**Register A2h System Standby Timer (default = FFh)**

**Bits 7:0 The register defines the duration of the System Standby Timer.**

When the System Standby Timer expires, the system enters System Standby State. If any non-masked event occurs before the timer expires, the timer is reloaded with programmed number and the timer starts counting down again.

The timer-expire interval is translated by the follow equation:

$$\text{Timer-Expire Interval} = (\text{Timer Counter} - 1) \times \text{Time slot}$$

**NOTE:** The setting of Time slot please refer to register 91h bits 1:0.

**Register A3h SMRAM access control and Power supply control (default = 00h)**

**Bits 7:6 SMRAM Area Remapping Control**

00: EL to EL(32K)

01: EL to AL(32K)

10: EL to BL(32K)

11: A to A(64K)



**Bit 5**      **Reserved**

**Bit 4**      **SMRAM Access Control**

0: The SMRAM area can only be accessed during the SMI handler.

1: When set, the SMRAM area can be used. This bit can be set whenever it is necessary to access the SMRAM area. It is cleared after the access is finished.

**Bits 3:0**    **Reserved**

## 6.2 PCI to ISA Bridge Configuration Space

Device	IDSEL	Function Number
PCI to ISA bridge	AD12	0000b

**Registers 00h~01h**    **Vendor ID**

**Bits 15:0 = 1039h (Read Only)**

**Registers 02h~03h**    **Device ID**

**Bits 15:0 = 0008h (Read Only)**

**Registers 04h~ 05h**    **Command Port**

**Bits 15:4**    **Reserved. Read as 0's**

**Bit 3**        **Monitor Special Cycle Enable**

**Bit 2**        **Behave as Bus Master Enable**

**Bit 1**        **Respond to Memory Space Accesses (Read/Writable)(Default=0)**

This bit is read/writable and should be set to 1.

**Bit 0**        **Respond to I/O Space Accesses (Read/Writable) (Default =0)**

This bit is read/writable and should be set to 1.

**Registers 06h~07h**    **Status**

**Bits 15:14** **Reserved. Read as 0's**

**Bit 13**       **Received Master-Abort**

When the **SiS Chip** generates a master-abort, this bit is set to a 1. This bit is cleared to 0 by writing a 1 to this bit.

**Bit 12**       **Received Target-Abort**

When the **SiS Chip** receives a target-abort, this bit is set to a 1. Software clears this bit to 0 by writing a 1 to this bit location.

**Bit 11**       **Reserved. Read as a 0**

**Bits 10:9**    **DEVSEL# Timing**

The **SiS Chip** always generates DEVSEL# with medium timing, these two bits are always set to 01.



**Bits 8:0** Reserved. Read as 0's.

**Register 08h Revision ID**

**Bits 7:0** 01h (Read Only)

**Register 09h~0Bh Class Code**

**Bits 23:0** 060100h (Read Only)

**Register 0Ch Cache Line Size**

**Bits 7:0** 00h

**Register 0Dh Master Latency Timer**

**Bits 7:0** Master latency timer

The default value is FFh, it means 255 PCI clocks.

Unit: PCI Clocks

**Register 0Eh Header Type**

**Bits 7:0** 80h (Read Only)

**Register 0Fh BIST**

**Bits 7:0** 80h (Read Only)

**Register 10h, 11h, 12h, 13h** Reserved, always read as 0.

**Register 40h BIOS Control Register**

**Bit 7** Integrated ACPI Control

0: Disable (Default)

1: Enable

When enabled, PCI to ISA bridge will response the access to ACPI registers according to the ACPI Base Address. The ACPI base address can be programmed in 90h, 91h.

**Bit 6** ISA Master action Control

This bit must be set to "1" to prevent the deadlock which occurring in forwarding 64 bit memory read cycle to ISA side when delay transaction is enabled.

**Bit 5** Enable/Disable Delayed Transaction

0: Disable (Default)

1: Enable

**Bit 4** PCI Posted Write Buffer Enable



- 0: Disable (Default)  
1: Enable

Bits [3:0] determine how the **SiS Chip** responds to F segment, E segment, and extended segment (FFF80000-FFFDFFFF) accesses. **SiS Chip** will positively respond to extended segment access when bit 0 is set. Bit 1, combining with bits [3:2], enables **SiS Chip** to respond to E segment access.

**Bit 3 Positive Decode of Upper 64K BYTE BIOS Enable.**

**Bit 2 BIOS Subtractive Decode Enable.**

Bits [3:2]	F segment		E segment		Comment
	+	-	+	-	
00			√*		Chip positively responds to E segment access.
10	√		√*		Chip positively responds to E and F segment access.
Others		√			Chip subtractively responds to F segment access.

**Note:** Enabled if bit 1 is set.

**Bit 1 Lower BIOS Enable.**

**Bit 0 Extended BIOS Enable. (FFF80000~FFFDFFFF)**

#### Register 41h/42h/43h INTA#/INTB#/INTC# Remapping Control Register

**Bit 7 Remapping Control**

0: Enable

1: Disable (Default)

When enabled, INTA#/INTB#/INTC#, is remapped to the PC compatible interrupt signal specified in IRQ remapping table. This bit is set to 1 after reset.

**Bits 6:4 Reserved. Read as 0's.**

**Bits 3:0 IRQx Remapping table.**

Bits	IRQx#	Bits	IRQx#	Bits	IRQx#	Bits	IRQx#
0000	reserved	0101	IRQ5	1010	IRQ10	1111	IRQ15
0001	reserved	0110	IRQ6	1011	IRQ11		
0010	reserved	0111	IRQ7	1100	IRQ12		
0011	IRQ3	1000	reserved	1101	reserved		
0100	IRQ4	1001	IRQ9	1110	IRQ14		

**Note:** The difference INT[A:D]# can be remapped to the same IRQ signal, but this IRQ signal should be set to level sensitive.

#### Register 44h INTD# Remapping Control Register

**Bit 7 Remapping Control**

0: Enable

1: Disable (Default)

When enabled, INTD# is remapped to the PC compatible interrupt signal specified in IRQ remapping table. This bit is set to 1 after reset.





**Bits 6:5** Reserved. Read as 0's.

**Bit 4** Access APC Control Register(APCREG\_EN)

0: Disable

1: Enable (Default)

**Bits 3:0** IRQ Remapping table.

Bits	IRQx#	Bits	IRQx#	Bits	IRQx#	Bits	IRQx#
0000	reserved	0101	IRQ5	1010	IRQ10	1111	IRQ15
0001	reserved	0110	IRQ6	1011	IRQ11		
0010	reserved	0111	IRQ7	1100	IRQ12		
0011	IRQ3	1000	reserved	1101	reserved		
0100	IRQ4	1001	IRQ9	1110	IRQ14		

**Note:** The difference INT[A:D]# can be remapped to the same IRQ signal, but this IRQ signal should be set to level sensitive.

**Register 45h (Default =00h)**

**Bits 7:6** ISA Bus Clock Selection

00: 7.159MHz

01: PCICLK/4

10: PCICLK/3

**Bit 5** Flash EPROM Control bit 0

**Bit 4** Test bit for internal use only

0: Normal mode

1: Test mode

**Bit 3** Access RTC Extended Bank Control(EXTEND\_EN)

0: Disable

1: Enable

**Bit 2** Flash EPROM Control Bit 1

Bit 5	Bit 2	Operation
0	0	EPROM can be flashed
1	0	EPROM can't be flashed again
X	1	EPROM can be flashed whenever bit 5 is 0

**Note:** "X" means "Don't care".

**Bits 1:0** Reserved

**Register 46h (Default =00h)**

**Bits 7:6** 16-Bit I/O Cycle Command Recovery Time

00: 5 BUSCLK

01: 4 BUSCLK

10: 3 BUSCLK

11: 2 BUSCLK

**Bits 5:4** 8-Bit I/O Cycle Command Recovery Time



00: 8 BUSCLK  
01: 5 BUSCLK  
10: 4 BUSCLK  
11: 3 BUSCLK

**Bit 3 ROM Cycle Wait State Selection**

0: 4 wait states  
1: 1 wait state

**Bits 2:0 Test bit for internal use only**

0: Normal Mode  
1: Test Mode

**Register 47h DMA Clock and Wait State Control Register (Default =00h)**

**Bit 7 Reserved**

**Bit 6 Extended Terminal Count (TC)Hold Time**

0: The hold time of TC is compatible with Intel 8237  
1: Extend the TC hold time by 1/2 DMACLK

**Bits 5:4 16-Bit DMA Cycle Wait State**

00 : 1 DMACLK  
01 : 2 DMACLK  
10 : 3 DMACLK  
11 : 4 DMACLK

**Bits 3:2 8-Bit DMA Cycle Wait State**

00 : 1 DMACLK  
01 : 2 DMACLK  
10 : 3 DMACLK  
11 : 4 DMACLK

**Bit 1 Extended DMAMEMR# Function**

0: Assertion of DMAMEMR# is delayed by one DMA clock cycle later than XIOR#

1: Assertion of DMAMEMR# is at the same time as XIOR#.

This bit is recommended to set to “1” to ensure that the assertion of DMAMEMR is earlier one DMA clock than the assertion of DMAIOW when the bit5 and bit3 of DMA command register are set to “0”.

**Bit 0 DMA Clock Selection**

0: 1/2 BUSCLK(Recommended)  
1: BUSCLK

**Register 48h ISA Master/DMA Memory Cycle Control Register 1 (Default =01h)**

**Bits 7:4 Top of Memory size**

0000: 1 MByte  
0001: 2 MByte



0010: 3 MByte

0011: 4 Mbyte

:

:

1101: 14 MByte

1110: 15 MByte

1111: 16 Mbyte

The ISA master or DMA memory access cycles will be forwarded to PCI bus when the address fall within the programmable region defined by bits[7:4]. The base address of the programmable region is 1Mbyte, and the top addresses is programmed in 1MByte increments from 1MByte to 16MByte. All memory cycles will be forwarded to PCI bus besides the cycle fall within memory hole defined in register 4Ah and 4Bh.

ISA master and DMA memory cycles to the following memory regions will be forwarded to PCI bus if they are enabled.

**Bit 3 E0000h-EFFFFh Memory Region**

0: Disable

1: Enable, the cycle is forwarded to PCI bus.

**Bit 2 A0000h-BFFFFh memory Region**

0: Disable

1: Enable (The cycle is forwarded to PCI bus.)

**Bit 1 80000h-9FFFFh Memory Region**

0: Disable

1: Enable (The cycle is forwarded to PCI bus.)

**Bit 0 00000h-7FFFFh Memory Region**

0: Disable

1: Enable(The cycle is forwarded to PCI bus.)

**Register 49h ISA Master/DMA Memory Cycle Control Register 2 (Default =00h)**

<b>Bit 7</b>	<b>DC000h-DFFFFh Memory Region</b>	<b>Bit 6</b>	<b>D8000h-DBFFFh Memory Region</b>
<b>Bit 5</b>	<b>D4000h-D7FFFh Memory Region</b>	<b>Bit 4</b>	<b>D0000h-D3FFFh Memory Region</b>
<b>Bit 3</b>	<b>CC000h-CFFFFh Memory Region</b>	<b>Bit 2</b>	<b>C8000h-CBFFFh Memory Region</b>
<b>Bit 1</b>	<b>C4000h-C7FFFh Memory Region</b>	<b>Bit 0</b>	<b>C0000h-C3FFFh Memory Region</b>

0: Disable

1: Enable

ISA master and DMA memory cycles to the following memory regions will be forwarded to PCI bus if they are enabled.

Register 4Ah and register 4Bh are used to define the ISA address hole. The ISA address hole is located between 1Mbyte and 16MByte, and sized in 64KByte increments. ISA master and DMA memory cycles fall within this hole will not be forwarded to PCI bus. Register 4Ah and 4Bh are used to define the bottom and top address of the hole respectively. The hole is located



between top and bottom address, and the bottom and top address must be at or above 1MByte. If bottom address is greater than top address, the ISA address hole is disabled.

**Register 4Ah ISA Master/DMA Memory Cycle Control Register 3 (Default =10h)**

**Bits 7:0 Bottom address of the ISA Address Hole [A23:A16]**

**Register 4Bh ISA Master/DMA Memory Cycle Control Register 4 (Default =0Fh)**

**Bits 7:0 Top address of the ISA Address hole [A23:A16]**

This register is used to define the top address of the ISA Address hole

**Registers 4Ch/4Dh/4Eh/4Fh Initialization Command Word 1/2/3/4 Mirror Register I**

**Bits 7:0 ICW1 to ICW4 of the built-in interrupt controller (master) can be read from 4Ch to 4Fh.**

**Registers 50h/51h/52h/53h Initialization Command Word 1/2/3/4 mirror Register II**

**Bits 7:0 ICW1 to ICW4 of the built-in interrupt controller (slave) can be read from 50h to 53h.**

**Registers 54h/55h Operational Control Word 2/3 Mirror Register I**

**Bits 7:0 OCW2 to OCW3 of the built-in interrupt controller (master) can be read from 54h to 55h.**

**Registers 56h/57h Operational Control Word 2/3 Mirror Register II**

**Bits 7:0 OCW2 to OCW3 of the built-in interrupt controller (slave) can be read from 56h to 57h.**

**Register 58h Counter Access Ports Mirror Register 0**

**Bits 7:0 Low byte of the initial count number of Counter 0 in the built-in CTC can be read from 58h.**

**Register 59h**

**Bits 7:0 High byte of the initial count number of Counter 0 in the built-in CTC can be read from 59h.**

**Register 5Ah**

**Bits 7:0 Low byte of the initial count number of Counter 1 in the built-in CTC can be read from 5Ah.**

**Register 5Bh**



**Bits 7:0** High byte of the initial count number of Counter 1 in the built-in CTC can be read from 5Bh.

#### Register 5Ch

**Bits 7:0** Low byte of the initial count number of Counter 2 in the built-in CTC can be read from 5Ch.

#### Register 5Dh

**Bits 7:0** High byte of the initial count number of Counter 2 in the built-in CTC can be read from 5Dh.

#### Register 5Eh

**Bits 7:0** Control word (43h) of the built-in CTC can be read from 5Eh.

#### Register 5Fh

**Bits 7:6** Reserved

**Bit 5** CTC write count pointer status for counter 2

**Bit 4** CTC write count pointer status for counter 1

**Bit 3** CTC write count pointer status for counter 0

**Bit 2** CTC read count pointer status for counter 2

**Bit 1** CTC read count pointer status for counter 1

**Bit 0** CTC read count pointer status for counter 0

0: LSB

1: MSB

#### Register 60h Mirror port

**Bits 7:0** The same value as ISA port 70h.

#### Register 61h IDEIRQ Remapping Control Register

**Bit 7** IDEIRQ Remapping Control

0: Enable

1: Disable (Default)

**Bit 6** Attribute of bits Control for Reg. 09h bit 1 and 3 in PCI IDE Configuration Space

0: Read Only, read these two bits as '1' and '1'. (Default)

1: Read/Writeable

**Bits 5:4** Reserved. Read as zero.

**Bits 3:0** Interrupt Remapping Table

Bits [3:0]	Remapped IRQ	Bits [3:0]	Remapped IRQ
------------	--------------	------------	--------------



0000	Reserved	1000	Reserved
0001	Reserved	1001	IRQ9
0010	Reserved	1010	IRQ10
0011	IRQ3	1011	IRQ11
0100	IRQ4	1100	IRQ12
0101	IRQ5	1101	Reserved
0110	IRQ6	1110	IRQ14
0111	IRQ7	1111	IRQ15

**Register 62h USBIRQ Remapping Control Register****Bit 7 USBIRQ Remapping Control**

0: Enable  
1: Disable (Default)

**Bit 6 Integrated USB Control**

0: Disable  
1: Enable

**Bit 5 USB Over\_Current (OCI#) input polarity**

0: Low Active  
1: High Active

**Bit 4 USB Power pin (OCO# or OCI2#, corresponding to Reg. 6A bit6) output/input polarity**

0: Low Active  
1: High Active

**Bits 3:0 Interrupt Remapping Table**

Bits [3:0]	Remapped IRQ	Bits [3:0]	Remapped IRQ
0000	Reserved	1000	Reserved
0001	Reserved	1001	IRQ9
0010	Reserved	1010	IRQ10
0011	IRQ3	1011	IRQ11
0100	IRQ4	1100	IRQ12
0101	IRQ5	1101	Reserved
0110	IRQ6	1110	IRQ14
0111	IRQ7	1111	IRQ15

**Register 63h GPCS0 Control Register****Bit 7 GPCS0 Mode Control**

0: Output mode  
1: Input mode (default)

**Bit 6 GPCS0 Input Active Level Control**

0: Active low (default)  
1: Active high

**Bit 5 GPCS0 Input De-Bounce Filter Control**



0: Disable (default)

1: Enable

When this bit set to 1, the GPCS0 input goes through a de-bounce circuit.

**Bit 4 GPCS0 Output Status Control**

0: Output low (default)

1: Output high

When GPCS0 is programmed to a GPO pin function by Register 65h~66h bit 1:0 and set Register 63 bit 7 to "0" (output mode), this bit can be active.

**Bit 3 GPCS0 Status (When it is set to Input Mode)**

This bit is set when GPCS0 event is generated and it can be cleared by writing a "0" to this bit.

**Bit 2 Generated SMI# by GPCS0 Control**

0: Disable

1: Enable

Note: The Host to PCI configuration register 95h bit7 should be enabled.

**Bit 1 Control GPCS0 to reload system standby timer and exit system standby state**

0: Disable

1: Enable

**Bit 0 GPO Write Enable 0 Control**

0: Disable (GPCS0 signal)

1: Enable

If this bit is enabled, it controls the external 74LS374 TTL to buffer the external 8 GPOs signals for more peripheral devices control from the system data bus SD[7:0] by GPCS0 pin.

**Register 64h GPCS1 Control Register**

**Bit 7 GPCS1 Mode Control**

0: Output mode

1: Input mode (default)

**Bit 6 GPCS1 Input Active Level Control**

0: Active low (default)

1: Active high

**Bit 5 GPCS1 Input De-Bounce Filter Control**

0: Disable (default)

1: Enable

When this bit set to 1, the GPCS1 input goes through a de-bounce circuit.

**Bit 4 GPCS1 Output Status Control**

0: Output low (default)

1: Output high

When GPCS1 is programmed to a GPO pin function by Register 67h~68h bit 1:0 and set Register 64 bit 7 to "0" (output mode), this bit can be active.

**Bit 3 GPCS1 Status (When it is set to Input Mode)**



This bit is set when GPCS1 event is generated and it can be cleared by writing a "1" to this bit.

**Bit 2      Generated SMI# by GPCS1 Control**

0: Disable

1: Enable

Note: The Host to PCI configuration register 95h bit7 should be enabled.

**Bit 1      Control GPCS1 to reload system standby timer and exit system standby state**

0: Disable

1: Enable

**Bit 0      GPO Write Enable 1 Control**

0: Disable (GPCS1 signal)

1: Enable

If this bit is enabled, it controls the external 74LS374 TTL to buffer the external 8 GPOs signals for more peripheral devices control from the system data bus SD[7:0] by GPCS1 pin.

**Register 65h~66h   GPCS0 Output Mode Control Register**

A 16-bit I/O space base address defined in bit[15:2] is used to cause GPCS0 to assert "active low" signal for subtractively decoded I/O cycles generated by PCI masters that fall in the range specified by this register. This register is available only when GPCS0 is set to output mode.

**Bits 15:2   A[15:2] of GPCS0 I/O Space Base Address**

**Bits 1:0      GPCS0 I/O Space Address Mask**

00: Mask A1, A0

01: Mask A2, A1, A0

10: Set GPCS0 to GPO function only (default)

11: Mask A3, A2, A1, A0

**Registers 67h~68h   GPCS1 Output Mode Control Register**

A 16-bit I/O space base address defined in bit[15:2] is used to cause GPCS1 to assert "active low" signal for subtractively decoded I/O cycles generated by PCI masters that fall in the range specified by this register. This register is available only when GPCS1 is set to output mode.

**Bits 15:2   A[15:2] of GPCS1 I/O Space Base Address**

**Bits 1:0      GPCS1 I/O Space Address Mask**

00: Mask A1, A0

01: Mask A2, A1, A0

10: Set GPCS1 to GPO function only (default)

11: Mask A3, A2, A1, A0

**Register 69h   GPCS0/1 De-Bounce Control Register**



**Bits 7:6 GPCS0 I/O Space Address Mask Control**

00: According to the setting of Reg. 66h bit[1:0]

01: Mask A0~A9

10: Mask A0~A10

11: Reserved

Note: This bit does not affect GPCS1.

**Bit 5 Reserved****Bit 4 Power Off System Control**

Before enabling this function, Auto Power Control Register I bit 6 should be enabled. Once writing a '1' to this bit, system will be power off.

**Bit 3:0 De-bounce Count for GPCS0/1 De-Bounce Circuit**

The minimum value is 2. The timer-expire interval is calculated by the following equation : The timer-expire interval = (Counts-1)x0.6s

**Register 6Ah ACPI/SCI IRQ Remapping Control Register****Bit 7 ACPI/SCI IRQ Remapping Control**

1: Disable (default)

0: Enable

**Bit 6 Pin Definition Select for OCO#/OCI2#**

0: OCI2#

1: OCO#

Note: Register 62h bit4 can be used to select the polarity of OCI2# or OCO#.

**Bit 5 Pin Definition Select for GPIO8/USB Over\_Current (OCI#)**

0: GPIO8

1: OCI#

**Bit 4 Pin Definition Select for GPIO7/OCO#/OCI2#**

0: GPIO7

1: OCO#/OCI2#

Note: Bit6 (Pin Definition Select for OCO#/OCI2#) have function only when Bit4 (Pin Definition Select for GPIO7/OCO#/OCI2#) is set to "1".

**Bits 3:0 Interrupt Remapping Table**

Bits [3:0]	Remapped IRQ	Bits [3:0]	Remapped IRQ
0000	Reserved	1000	Reserved
0001	Reserved	1001	IRQ9
0010	Reserved	1010	IRQ10
0011	IRQ3	1011	IRQ11
0100	IRQ4	1100	IRQ12
0101	IRQ5	1101	Reserved
0110	IRQ6	1110	IRQ14
0111	IRQ7	1111	IRQ15



### Register 6Bh

**Bits 7:0** Test bits. These bits should be programmed to all 0s.

### Register 6Ch

**Bits 7:6** Test bits. These bits should be programmed to all 0s.

**Bit 5** **IRQ13 Control**

When this bit is set to "1", IRQ13 will be routed to FERRN.(Default is 1)

**Bit 4:2** Test bits. These bits should be programmed to all 0s.

**Bit 1** **Enable/Disable The Reading Of All Base Registers In DMA Controller.**

0: Disable. (default)

1: Enable.

**Bit 0** **Reserved.**

This bit should be programmed to 0.

### Register 6Dh (Default= 19h)

**Bit 7** **Internal Test Bit for Keyboard and PS/2 Mouse Pin Swapping**

0: Normal Mode (Default)

1: Test Mode

**Bit 6** **Pin Definition Select for GPCS1/SIRQ**

0: GPCS1 (default)

1: SIRQ

**Bit 5** **Test bit, must be 0.**

**Bit 4** **I<sup>2</sup>C Bus Data Active Level Control**

0: Active Low

1: Active High (default)

**Bit 3** **I<sup>2</sup>C Bus Clock Active Level Control**

0: Active Low

1: Active High (default)

**Bit 2** **I<sup>2</sup>C Bus Control**

0: Disable (default)

1: Enable

**Bit 1** **Hot Key Status**

This bit is set when hot key (Ctrl+Alt+Backspace) is pressed and should be cleared at the end of SMI handler. This bit is meaningful only when internal KBC is used.

**Bit 0** **Hot Key Control**

0: Disable

1: Enable (default)

This bit is meaningful only when internal KBC is used.



**Register 6Eh Software-Controlled Interrupt Request, Channels 7-0**

- Bit 7      Interrupt Channel 7**
- Bit 6      Interrupt Channel 6**
- Bit 5      Interrupt Channel 5**
- Bit 4      Interrupt Channel 4**
- Bit 3      Interrupt Channel 3**
- Bit 2      Interrupt Channel 2**
- Bit 1      Interrupt Channel 1**
- Bit 0      Interrupt Channel 0**

Writing a 1 to these bits will cause the corresponding interrupt requests to be outstanding. This register defaults to all 0s.

**Register 6Fh Software-Controlled Interrupt Request, channels 15-8**

- Bit 7      Interrupt Channel 15**
- Bit 6      Interrupt Channel 14**
- Bit 5      Interrupt Channel 13**
- Bit 4      Interrupt Channel 12**
- Bit 3      Interrupt Channel 11**
- Bit 2      Interrupt Channel 10**
- Bit 1      Interrupt Channel 9**
- Bit 0      Interrupt Channel 8**

Writing a 1 to these bits will cause the corresponding interrupt requests to be outstanding.

**Register 70h (Default=12h)**

- Bit 7      Enable/Disable the prefetch/postwrite of the ISA master and DMA controller**  
0: Disable.  
1: Enable.
- Bit 6      Enable/Disable IOR# and MEMR# cycles extended by 1/2 BCLK**  
0: Disable  
1: Enable.
- Bit 5      Test bit. This bit should be programmed to 0**
- Bit 4      Pin Definition Select for KLOCK#/GPIO0**  
0: GPIO0  
1: KLOCK#
- Bit 3      Integrated Keyboard Controller Status Control**  
0: Disable Integrated Keyboard Controller



- 1: Enable Integrated Keyboard Controller
- Bit 2 Integrated PS/2 Mouse Interface Status Control**  
0: Disable Integrated PS/2 Mouse Interface  
1: Enable Integrated PS/2 Mouse Interface  
Note: This bit has function only when Bit3 (Integrated Keyboard Controller) is enabled.
- Bit 1 Built-in RTC Status (Read Only)**  
0: Not used  
1: Used  
When built-in RTC is used, this bit is set to 1.
- Bit 0 Test bit. This bit should be programmed to 0.**

**Register 71h Type-F DMA Control Register (Default= 00h)**

This register is used to set which DMA channel can perform type-F DMA transfers. A “1” on any bit sets the corresponding DMA channel to perform type-F DMA transfers. This register is available only when the Register 70h bit 7 is enabled in PCI to ISA bridge configuration register.

- Bit 7 DMA Channel 7**  
**Bit 6 DMA Channel 6**  
**Bit 5 DMA Channel 5**  
**Bit 4 Reserved**  
**Bit 3 DMA Channel 3**  
**Bit 2 DMA Channel 2**  
**Bit 1 DMA Channel 1**  
**Bit 0 DMA Channel 0**

**Register 72h~73h SMI Triggered By IRQ Control**

When disabled, any event from the corresponding IRQ will cause the system to generate SMI. This register is only meaningful when the **Host to PCI bridge** configuration register 95h, bit 7 is enabled.

- Bits 15:3 Corresponds To The Mask Bits Of IRQ 15-3**  
**Bit 2 Reserved**  
**Bit 1 Corresponds To The Mask Bit Of IRQ1**  
**Bit 0 Reserved**  
0: Disable (default)  
1: Enable

**Register 74h~75h System Standby Timer Reload, System Standby State Exit And Throttling State Exit Control**



When disabled, any event from the corresponding IRQ and NMI will cause the system to exit the system standby state, exit the throttling state or reload the system standby timer, which are depended on Legacy PMU register setting.

**Bits 15:3,1 Corresponds To The Mask Bits Of IRQ 15-3,1**

**Bit 2 Reserved**

**Bit 0 Corresponds To The Mask Bit Of NMI**

0: Disable (default)

1: Enable

**Register 76h~77h Monitor Standby Timer Reload And Monitor Standby State Exit Control**

When disabled, any event from the corresponding IRQ/NMI will cause the system to exit the monitor standby state or reload the monitor standby timer, which are depended on Legacy PMU register setting.

**Bits 15:2 Corresponds To The Mask Bits of IRQ 15-2**

**Bit 2 Reserved**

**Bit 0 Corresponds To The Mask Bit of NMI**

0: Disable (default)

1: Enable

**Register 80h~81h DDMA Control Register**

Attribute: Write/Read

Default: 0000h

**Bits 15:4 DMA remap base address**

There is only one DMA Slave Base Address Register, and all of the legacy DMA channels will be grouped into 128 bytes block. (16 bytes times 8 channels).

**Bits 3:1 Reserved**

**Bit 0 DMA Master Enable**

0: DMA remapping disable. All accessed DMA legacy addresses are forwarded to the internal DMA controllers.

1: DMA remapping enable. Individual legacy DMA channels can be remapped.

**Register 82h~83h Reserved**

**Register 84h Legacy DMA Slave Channel Enable**

Attribute: Write/Read

Default: 00h

**Bit 7 Legacy DMA Slave Channel 7 Enable**

0: Disable

1: Enable



- Bit 6 Legacy DMA Slave Channel 6 Enable**  
0: Disable  
1: Enable
- Bit 5 Legacy DMA Slave Channel 5 Enable**  
0: Disable  
1: Enable
- Bit 4 Reserved**
- Bit 3 Legacy DMA Slave Channel 3 Enable**  
0: Disable  
1: Enable
- Bit 2 Legacy DMA Slave Channel 2 Enable**  
0: Disable  
1: Enable
- Bit 1 Legacy DMA Slave Channel 1 Enable**  
0: Disable  
1: Enable
- Bit 0 Legacy DMA Slave Channel 0 Enable**  
0: Disable  
1: Enable

**Register 85h~87h Reserved**

**Register 88h Serial Interrupt Control Register**

Attribute : Write/Read

Default Value : 00h

- Bit 7 Serial Interrupt (SIRQ) Control**  
0: Disable  
1: Enable
- Bit 6 Quiet/Continuous Mode**  
0: Quiet  
1: Continuous
- Bits 5:2 SIRQ Sample Period**  
0000: 17 slots  
0001: 18 slots  
0010: 19 slots  
::: :::  
1111: 32 slots
- Bits 1:0 Start Cycle length**  
00: 4 PCI clocks  
01: 6 PCI clocks  
10: 8 PCI clocks



11: Reserved

**Register 89h Serial Interrupt Enable Register 1**

Attribute : Write/Read

Default Value : 00h

- Bit 7**      **Reserved**
- Bit 6**      **Serial IRQ7 Enable**  
0: Disable  
1: Enable
- Bit 5**      **Serial IRQ6 Enable**  
0: Disable  
1: Enable
- Bit 4**      **Serial IRQ5 Enable**  
0: Disable  
1: Enable
- Bit 3**      **Serial IRQ4 Enable**  
0: Disable  
1: Enable
- Bit 2**      **Serial IRQ3 Enable**  
0: Disable  
1: Enable
- Bit 1**      **Serial SMI# Enable**  
0: Disable  
1: Enable
- Bit 0**      **Reserved**

**Register 8Ah Serial Interrupt Enable Register 2**

Attribute : Write/Read

Default Value : 00h

- Bit 7**      **Serial IOCHCK# Enable**  
0: Disable  
1: Enable
- Bit 6**      **Serial IRQ15 Enable**  
0: Disable  
1: Enable
- Bit 5**      **Serial IRQ14 Enable**  
0: Disable  
1: Enable
- Bit 4**      **Reserved**
- Bit 3**      **Serial IRQ12 Enable**  
0: Disable



- 1: Enable
- Bit 2 Serial IRQ11 Enable**  
0: Disable  
1: Enable
- Bit 1 Serial IRQ10 Enable**  
0: Disable  
1: Enable
- Bit 0 Serial IRQ9 Enable**  
0: Disable  
1: Enable

### Register 90h~91h ACPI Base Address Register

#### 6.2.1 Offset Register for ACPI/SCI Base Address Register

The following Registers are shown the offset register of ACPI , i.e., Register 00h means the I/O address <Base> + 00h and the Base address is programmed in the Register 90h~91h of PCI to ISA bridge Configuration Register.

#### Register 00h Power Management Status Register

**Bit 15 Wake up status (WAK\_STS)**

This bit is set when the system in the suspend state and an enable resume event occurs. Upon setting this bit, the state machine will transition the system to the on state. This bit can only be set by hardware and only can be cleared by software writing a one to this bit position.

**Bits 14:11 Reserved**

**Bit 10 RTC status (RTC\_STS)**

This bit is set when the RTC generates an alarm. While both RTC\_EN bit and RTC\_STS bit are set, a power management event is raised( SCI, SMI or resume event ). This bit is only set by hardware and only be reset by software writing a one to this bit position.

**Bit 9 Reserved**

**Bit 8 Power button status (PWRBTN\_STS)**

This bit is set when the power button is pushed (The PWRBT# signal is asserted Low). In the working state, while PWRBTN\_STS bit and PWRBTN\_EN bit are both set then a SCI is raised. In the sleeping state, while PWRBTN\_STS bit and PWRBTN\_EN bit are both set then a wake-up event is generated. This bit is only set by hardware and can only be reset by software writing a one to this bit position.

**Bits 7:6 Reserved**

**Bit 5 Global status (GBL\_STS)**

This bit is set when an SCI is generated due to BIOS wanting the attention of the SCI handler. BIOS will have a control bit which raise an SCI. ( Register 1C bit 10 )





**Bit 4 Bus master status**

This is the bus master status bit. This bit is set anytime a system bus master requests the system bus, and can only be cleared by writing a one to this bit position.

**Bits 3:1 Reserved**

**Bit 0 Power management timer status (TMR\_STS)**

Power management timer status or DOZE timer status. Only the Offset Register 1C bit 13 is set to 1 and SCI\_EN bit is set to 0, the free running timer (24 bit timer) is to be DOZE timer. If the most significant bit of 24 bits timer is changed from “1” to “0” or “0” to “1”, then the TMR\_STS bit will be set. While TMR\_STS bit and TMR\_EN bit are set, a power management is raised. It can only be cleared by writing a one to this bit position.

**Register 02h Power Management Resume Enable Register**

**Bits 15:11 Reserved**

**Bit 10 RTC Enable (RTC\_EN)**

This bit is used to enable the setting of the RTC\_STS bit to generate a power management event. ( SCI, SMI or WAKE )

**Bit 9 Reserved**

**Bit 8 Power Button Enable (PWRBTN\_EN)**

This bit is used to enable the setting of the PWRBTN\_STS bit to generate a power management event ( SCI, SMI or WAKE )

**Bits 7:6 Reserved**

**Bit 5 Global Enable (GBL\_EN)**

The global enable bit. When both the GBL\_EN bit and GBL\_STS bit are set then an SCI is raised.

**Bits 4:1 Reserved**

**Bit 0 Power management timer Enable (TMR\_EN)**

This is the 24 bits free running timer enable bit. If this bit and TMR\_STS bit are set then a power management event is raised. ( SMI or SCI )

**Register 04h Power Management Control Register**

**Bits 15:14 Reserved**

**Bit 13 Sleeping Enable (SLP\_EN)**

This is a write-only bit and reads it always return a zero. Setting this bit causes the system to sequence into the suspend state defined by the SLP\_TYP field.

**Bits 12:10 Sleeping Type (SLP\_TYP)**

Defines the type of suspend type that the system should enter power down mode when the SLP\_EN bit is set to one.

000: S1 state



- 100: S5 state
- Bit 9 SiS Proprietary Bit, must be 1**
- Bits 8:3 Reserved**
- Bit 2 Global Release GBL\_RLS**  
This bit is used by the ACPI software to raise an SMI to the BIOS software. BIOS software has a corresponding enable and status to control its ability to receive ACPI events. ( Register 25 bit 0 and Register 26 bit 0 )
- Bit 1 Bus Master Reload Enable (BM\_RLD)**  
If enabled, this bit allows a bus master request to cause any processor in the C3 state to transition to the C0 state.  
0: Disable  
1: Enable
- Bit 0 SCI Enable (SCI\_EN)**  
Selects the power management event to be either an SCI or SMI interrupt. When this bit is set , then the power management events will generate an SCI interrupt. When this bit is reset power management events will generate an SMI interrupt.

**Register 08h ACPI Power Timer Register**

- Bits 31:24 Reserved**
- Bits 23:0 Power management timer value**  
This read-only field returns the running count of the power management timer. The timer-expire interval is translated by the follow equation :  
$$\text{Timer-Expire Interval} = (\text{Timer Counter} - 1) \times 0.28\mu\text{s}$$

**Register 0Ch**

- Bits 31:7 Reserved**
- Bit 6 IRQ0 Enable**  
This bit enables the de-assert STPCLK# a short time when IRQ0 happens during C2 and C3 state.
- Bit 5 CPU Clock Control**  
This bit controls the clock generator control function via pin GPO6 during S1 state.
- Bit 4 Throttling Function Enable**  
This bit enables clock throttling function.
- Bits 3:1 Throttling Duty cycle Control**  
This 3-bit field determines the duty cycle of the STPCLK# signal when the system in the throttling mode.  
000 RESERVED  
001 7 : 1 ( High : Low )  
010 6 : 2  
011 5 : 3  
100 4 : 4



101 3 : 5

110 2 : 6

111 1 : 7

**Bit 0**      **Reserved**

#### **Register 10h**

**Bits 7:0**    **Enter C2 Power state register**

Reads to this register return all zeros, writes to this register have no effect. Reads to this register also generate a " Enter a C2 power state ".

#### **Register 11h**

**Bits 7:0**    **Enter C3 Power state register**

Reads to this register return all zeros, writes to this register have no effect. Reads to this register also generate a " Enter a C3 power state ".

#### **Register 12h**

**Bits 7:1**    **Reserved**

**Bit 0**      **Arbiter disable**

In order to maintain the Cache coherence when CPU is in the C3 state, the other master should not get the grant. This bit is used to enable and disable the system arbiter. When this bit is "0" the system arbiter is enable and can grant the bus to other bus masters bus. When this bit is "1" the system arbiter is disable, and the default CPU has ownership of the system bus.

#### **Register 13h**

**Bits 7:0**    **General Purpose Timer**

It is a down counter. It has the time resolution 1  $\mu$ sec or 1 min. While a value is written to this timer, it begin to count. It raises a power management event when the counter is time out. In addition, it can be a suspend timer when Register 1C bit 11 is set to 1 and SCI\_EN is 0.

#### **Register 14h**

**Bit 15**      **Wakeup IRQ status(WAKEIRQ\_STS)**

This bit is set when IRQ[1-15] or NMI is generated. WAK\_STS is set when both WAKEIRQ\_STS and WAKEIRQ\_EN are set at SUSPEND mode.

**Bit 14**      **USB status(USB\_STS)**

This bit is set when USB event is generated. While both USB\_STS and USB\_EN are set to 1, a power management event is raised.( SMI, SCI or WAKE ) It can only be cleared by writing a one to this bit position.

**Bit 13**      **General purpose timer status(GPTIMER\_STS)**



This bit is set when General purpose timer is time out. While both GPTIMER\_STS and GPTIMER\_EN are set to 1, a power management event is raised.( SMI, SCI or WAKE ) It can only be cleared by writting a one to this bit position.

**Bit 12 GPIO10 status(GPIO10\_STS)**

This bit is set when GPIO10 event is generated and GPIO10 is to be input function. While both GPIO10\_STS and GPIO10\_EN are set to 1, a power management event is raised.( SMI, SCI or WAKE ) It can only be cleared by writting a one to this bit position.

**Bit 11 GPIO9/Thermal status(GPIO9\_STS)**

This bit is set when GPIO9 event is generated and GPIO9 is to be input function. While both GPIO9\_STS and GPIO9\_EN are set to 1, a power management event is raised.( SMI, SCI or WAKE ) It can only be cleared by writting a one to this bit position.

**Bit 10 GPIO8 status(GPIO8\_STS)**

This bit is set when GPIO8 event is generated and GPIO8 is to be input function. While both GPIO8\_STS and GPIO8\_EN are set to 1, a power management event is raised.( SMI, SCI or WAKE ) It can only be cleared by writting a one to this bit position.

**Bit 9 GPIO7 status(GPIO7\_STS)**

This bit is set when GPIO7 event is generated and GPIO7 is to be input function. While both GPIO7\_STS and GPIO7\_EN are set to 1, a power management event is raised.( SMI, SCI or WAKE ) It can only be cleared by writting a one to this bit position.

**Bit 8 SERIAL IRQ status(SIRQ\_STS)**

This bit is set when serial IRQ event is generated. While both SIRQ\_STS and SIRQ\_EN are set to 1, a power management event is raised.( SMI ) It can only be cleared by writting a one to this bit position.

**Bit 7 GPIO5 status(GPIO5\_STS)**

This bit is set when GPIO5 event is generated and GPIO5 is to be input function. While both GPIO5\_STS and GPIO5\_EN are set to 1, a power management event is raised.( SMI, SCI or WAKE ) It can only be cleared by writting a one to this bit position.

**Bits 6:5 Reserved**

**Bit 4 GPIO2 status(GPIO2\_STS)**

This bit is set when GPIO2 event is generated and GPIO2 is to be input function. While both GPIO2\_STS and GPIO2\_EN are set to 1, a power management event is raised.( SMI, SCI or WAKE ) It can only be cleared by writting a one to this bit position.

**Bit 3 GPIO1 status(GPIO1\_STS)**

This bit is set when GPIO1 event is generated and GPIO1 is to be input function. While both GPIO1\_STS and GPIO1\_EN are set to 1, a power management event is raised.( SMI, SCI or WAKE ) It can only be cleared by writting a one to this bit position.

**Bit 2 GPIO0 status(GPIO0\_STS)**



This bit is set when GPIO0 event is generated and GPIO0 is to be input function. While both GPIO0\_STS and GPIO0\_EN are set to 1, a power management event is raised.( SMI, SCI or WAKE ) It can only be cleared by writting a one to this bit position.

**Bit 1 External SMI Status (HOTKEY\_STS)**

This bit is set when HOTKEY (via EXTSMI#) event is generated. While both HOTKEY\_STS and HOTKEY\_EN are set to 1, a power management event is raised.( SMI, SCI or WAKE ) It can only be cleared by writting a one to this bit position.

**Bit 0 Ring Status(RI\_STS)**

This bit is set when MODEM ring event is generated. While both RI\_STS and RI\_EN are set to 1, a power management event is raised. ( SMI, SCI or WAKE ) It can only be cleared by writting a one to this bit position.

**Register 16h**

**Bit 15 Wake up IRQ Enable(WAKEIRQ\_EN)**

The WAKEIRQ enable bit. When WAKEIRQ\_EN and WAKEIRQ\_STS are set during SUSPEND, WAK\_STS will be set.

**Bit 14 USB Enable(USB\_EN)**

The USB enable bit. When USB\_EN and USB\_STS are set, a power management is raised.

**Bit 13 General purpose timer Enable(GPTIMER\_EN)**

The General Purpose timer enable bit. When GPTIMER\_STS and GPTIMER\_EN are set, a power management is raised.

**Bit 12 Reserved**

**Bit 11 GPIO9 Enable(GPIO9\_EN)**

The GPIO9 enable bit. When GPIO9\_STS and GPIO9\_EN are set, a power management event is raised.

**Bit 10 GPIO8 Enable(GPIO8\_EN)**

The GPIO8 enable bit. When GPIO8\_STS and GPIO8\_EN are set, a power management event is raised.

**Bit 9 GPIO7 Enable(GPIO7\_EN)**

The GPIO7 enable bit. When GPIO7\_STS and GPIO7\_EN are set, a power management event is raised.

**Bit 8 Serial IRQ Enable(SIRQ\_EN)**

The serial IRQ enable bit. When SIRQ\_STS and SIRQ\_EN are set, a power management event is raised.

**Bit 7 Reserved**

**Bits 6:5 Reserved**

**Bit 4 GPIO2 Enable(GPIO2\_EN)**



- The GPIO2 enable bit. When GPIO2\_STS and GPIO2\_EN are set, a power management event is raised.
- Bit 3 GPIO1 Enable(GPIO1\_EN)**  
The GPIO1 enable bit. When GPIO1\_STS and GPIO1\_EN are set, a power management event is raised.
- Bit 2 GPIO0 Enable(GPIO0\_EN)**  
The GPIO0 enable bit. When GPIO0\_STS and GPIO0\_EN are set, a power management event is raised.
- Bit 1 Hotkey (via EXTSMI#) Enable (HOTKEY\_EN)**  
The HOTKEY enable bit. When HOTKEY\_STS and HOTKEY\_EN are set, a power management event is raised.
- Bit 0 Ring Enable(RI\_EN)**  
The MODEM ring enable bit. When RI\_EN and RI\_STS are set, a power management event is raised.

#### Register 18h

**Bits 15:11 Reserved**

- Bit 10 GPIO10 pin status register**  
When GPIO10 is to be input function, it can read the input status via this register. When GPIO10 is to be output function, it can write any value to system via this register to control the external peripheral device.
- Bit 9 GPIO9 pin status register**  
When GPIO9 is to be input function, it can read the input status via this register. When GPIO9 is to be output function, it can write any value to system via this register to control the external peripheral device.
- Bit 8 GPIO8 pin status register**  
When GPIO8 is to be input function, it can read the input status via this register. When GPIO8 is to be output function, it can write any value to system via this register to control the external peripheral device.
- Bit 7 GPIO7 pin status register**  
When GPIO7 is to be input function, it can read the input status via this register. When GPIO7 is to be output function, it can write any value to system via this register to control the external peripheral device.
- Bit 6 GPO6 pin status register**  
It can write any value to system via this register to control the external peripheral device.
- Bit 5 GPIO5 pin status register**  
When GPIO5 is to be input function, it can read the input status via this register. When GPIO5 is to be output function, it can write any value to system via this register to control the external peripheral device.
- Bit 4 GPO4 pin status register**  
It can write any value to system via this register to control the external peripheral device.



- Bit 3**      **GPO3 pin status register**  
It can write any value to system via this register to control the external peripheral device.
- Bit 2**      **GPIO2 pin status register**  
When GPIO2 is to be input function, it can read the input status via this register. When GPIO2 is to be output function, it can write any value to system via this register to control the external peripheral device.
- Bit 1**      **GPIO1 pin status register**  
When GPIO1 is to be input function, it can read the input status via this register. When GPIO1 is to be output function, it can write any value to system via this register to control the external peripheral device.
- Bit 0**      **GPIO0 pin status register**  
When GPIO0 is to be input function, it can read the input status via this register. When GPIO0 is to be output function, it can write any value to system via this register to control the external peripheral device.

#### Register 1Ah

- Bits 15:10** **Reserved**
- Bit 9**      **GPIO9 INPUT/OUTPUT Control**  
0 : Input Mode  
1 : Output Mode
- Bit 8**      **GPIO8 INPUT/OUTPUT Control**  
0 : Input Mode  
1 : Output Mode
- Bit 7**      **GPIO7 INPUT/OUTPUT Control**  
0 : Input Mode  
1 : Output Mode
- Bits 6:3**   **Reserved**
- Bit 2**      **GPIO2 INPUT/OUTPUT Control**  
0 : Input Mode  
1 : Output Mode
- Bit 1**      **GPIO1 INPUT/OUTPUT Control**  
0 : Input Mode  
1 : Output Mode
- Bit 0**      **GPIO0 INPUT/OUTPUT Control**  
0 : Input Mode  
1 : Output Mode

#### Register 1Ch

- Bits15:14** **Reserved**
- Bit 13**    **Power Management timer functional selection**



- 0 : ACPI PM timer  
1 : DOZE timer
- Bit 12      General Purpose timer of time slot**  
0 : 1 us  
1 : 1 min
- Bit 11      General Purpose timer functional Selection**  
0 : BIOS timer  
1 : Suspend timer
- Bit 10      BIOS relationship (BIOS\_RLS)**  
This bit is set by BIOS then the Global status bit (Register 00 bit 5) will be set.
- Bit 9        Pin Definition Select for THRM#/GPIO9**  
0 : THRM#(Thermal detect)  
1 : GPIO9
- Bit 8        Ring In detection method**  
0 : Lasting low 150ms  
1 : Between 14Hz and 70 Hz
- Bit 7        Reserved**
- Bit 6        Pin Definition Select for GPO6/MA14**  
0: GPO6  
1: MA14
- Bit 5        Pin Definition Select for GPO4/MA13**  
0: MA13  
1: GPO4
- Bit 4        Pin Definition Select for GPO3/MA12**  
0: MA12  
1: GPO3
- Bit 3        Throttling function for thermal**  
0 : Disable  
1 : Enable  
If thermal is too high and asserted, throttling function will work. In this situation, it don't care the throttling enable bit.
- Bit 2        GPIO2 Pin Control**  
0 : Not used (means NC pin)  
1 : Used
- Bit 1        GPIO1 Pin Control**  
0 : Not used (means NC pin)  
1 : Used
- Bit 0        GPIO0 Pin Control**  
0 : Not used (means NC pin)  
1 : Used





**Register 1Eh**

**Bits 15:12 Reserved**

**Bit 11 Hot key polarity ( via EXTSMI# )**

0 : Low activity

1 : High activity

**Bit 10 GPIO10 polarity in Input Mode**

0 : Low activity

1 : High activity

**Bit 9 GPIO9/Thermal polarity in Input Mode**

0 : Low activity

1 : High activity

**Bit 8 GPIO8 polarity in Input Mode**

0 : Low activity

1 : High activity

**Bit 7 GPIO7 polarity in Input Mode**

0 : Low activity

1 : High activity

**Bit 6 Reserved**

**Bit 5 GPIO5 polarity in Input Mode**

0 : Low activity

1 : High activity

**Bits 4:3 Reserved**

**Bit 2 GPIO2 polarity in Input Mode**

0 : Low activity

1 : High activity

**Bit 1 GPIO1 polarity in Input Mode**

0 : Low activate

1 : High activate

**Bit 0 GPIO0 polarity in Input Mode**

0 : Low activate

1 : High activate

**Register 20h**

**Bit 7:0 SMI Command Port**

**Register 24h**

**Bit 7 Reserved**

**Bit 6 Pin Definition Select for GPIO9/THRM#/IOCHK#**

0 : IOCHK#

1 : GPIO9/THRM#



- Bits 5:2**    **Reserved**
- Bit 1**        **Power control for Integrated VGA Memory Clock**  
0 : Enable  
1 : Disable
- Bit 0**        **Power control for Integrated VGA suspend mode**  
0 : Enable  
1 : Disable

#### Register 25h

- Bits 7:5**    **Reserved**
- Bit 4**        **SMI command disable Status (SMICMDDIS\_STS)**  
This bit is set when OS write ACPI disable value to SMI command port. While SMICMDDIS\_STS and SMICMD\_DIS are set to 1, a SMI is raised.
- Bit 3**        **SMI command enable Status (SMICMDEN\_STS)**  
This bit is set when OS write ACPI enable value to SMI command port. While SMICMDEN\_STS and SMICMD\_EN are set to 1, a SMI is raised.
- Bit 2**        **Period SMI Status (PERSMI\_STS)**  
When period SMI is enable in legacy PMU, every 16 sec this bit will be set.
- Bit 1**        **LEGA\_STS ( only can be used for SMI generation )**  
This bit is set when system wake up from suspend in legacy PMU. When both LEGA\_STS and LEGA\_EN are set, a SMI is raised. It can only be cleared by writing a one to this bit position.
- Bit 0**        **BIOS\_STS( only can be used for SMI generation )**  
This bit is set when a SMI is generated due to the ACPI wanting the attention of SMI handler. When both BIOS\_STS and BIOS\_EN are set, a SMI is raised. It can only be cleared by writing a one to this bit position.

#### Register 26h

- Bits 7:6**    **Reserved**
- Bit 5**        **Reload DOZE or SUSPEND timer bit**  
When this bit is enable, monitor events of Register 90h and 91h of Host to PCI bridge configuration space will reload DOZE or SUSPEND timer.
- Bit 4**        **SMI Command Disable (SMICMD\_DIS)**  
SMI command disable bit. While SMICMDDIS\_STS and SMICMD\_DIS are set to 1, a SMI is raised.
- Bit 3**        **SMI Command Enable (SMICMD\_EN)**  
SMI command enable bit. While SMICMDEN\_STS and SMICMD\_EN are set to 1, a SMI is raised.
- Bit 2**        **PER\_SMI ( only can be used for SMI generation)**  
If this bit is set to 1, every 16 sec sends a SMI.
- Bit 1**        **LEGA\_EN ( only can be used for SMI generation)**



- Legacy PMU enable bit.
- Bit 0 BIOS\_EN**  
BIOS enable bit. This bit corresponds to BIOS\_STS bit (Register 25, bit 0) in order to raise the SMI.

**Register 28h**

- Bits 7:0 Programming SMI command port enable value**

**Register 29h**

- Bits 7:0 Programming SMI command port disable value**

**Register 2Ah Mail Box**

- Bits 7:0 Free storage**  
R/W register for BIOS or ACPI to use.

**Register 2Bh**

- Bits 7:1 Reserved**
- Bit 0 ACPI test mode ( for internal use only)**  
0 : Normal Mode  
1: Test Mode

### 6.3 Non-Configuration Registers

**DMA Registers**

These registers can be accessed from PCI bus.

Address	Attribute	Register Name
0000h	R/W	DMA1 CH0 Base and Current Address Register
0001h	R/W	DMA1 CH0 Base and Current Count Register
0002h	R/W	DMA1 CH1 Base and Current Address Register
0003h	R/W	DMA1 CH1 Base and Current Count Register
0004h	R/W	DMA1 CH2 Base and Current Address Register
0005h	R/W	DMA1 CH2 Base and Current Count Register
0006h	R/W	DMA1 CH3 Base and Current Address Register
0007h	R/W	DMA1 CH3 Base and Current Count Register
0008h	R/W	DMA1 Status(r) Command(w) Register
0009h	WO	DMA1 Request Register
000Ah	WO	DMA1 Write Single Mask Bit
000Bh	WO	DMA1 Mode Register
000Ch	WO	DMA1 Clear Byte Pointer
000Dh	WO	DMA1 Master Clear
000Eh	WO	DMA1 Clear Mask Register



000Fh	R/W	DMA1 Write All Mask Bits(w) Mask Status Register(r)
00C0h	R/W	DMA2 CH0 Base and Current Address Register
00C2h	R/W	DMA2 CH0 Base and Current Count Register
00C4h	R/W	DMA2 CH1 Base and Current Address Register
00C6h	R/W	DMA2 CH1 Base and Current Count Register
00C8h	R/W	DMA2 CH2 Base and Current Address Register
00CAh	R/W	DMA2 CH2 Base and Current Count Register
00CCh	R/W	DMA2 CH3 Base and Current Address Register
00CEh	R/W	DMA2 CH3 Base and Current Count Register
00D0h	R/W	DMA2 Status(r) Command(w) Register
00D2h	WO	DMA2 Request Register
00D4h	WO	DMA2 Write Single Mask Bit Register
00D6h	WO	DMA2 Mode Register
00D8h	WO	DMA2 Clear Byte Pointer
00DAh	WO	DMA2 Master Clear
00DCh	WO	DMA2 Clear Mask Register
00DEh	R/W	DMA2 Write All Mask Bits(w) Mask Status Register(r)

These registers can be accessed from PCI bus or ISA bus.

Address	Attribute	Register Name
0080h	R/W	Reserved
0081h	R/W	DMA Channel 2 Low Page Register
0082h	R/W	DMA Channel 3 Low Page Register
0083h	R/W	DMA Channel 1 Low Page Register
0084h	R/W	Reserved
0085h	R/W	Reserved
0086h	R/W	Reserved
0087h	R/W	DMA Channel 0 Low Page Register
0088h	R/W	Reserved
0089h	R/W	DMA Channel 6 Low Page Register
008Ah	R/W	DMA Channel 7 Low Page Register
008Bh	R/W	DMA Channel 5 Low Page Register
008Ch	R/W	Reserved
008Dh	R/W	Reserved
008Eh	R/W	Reserved
008Fh	R/W	Refresh Low Page Register

**Interrupt Controller Registers** (These registers can be accessed from PCI bus or ISA bus.)

Address	Attribute	Register Name
0020h	R/W	INT 1 Base Address Register
0021h	R/W	INT 1 Mask Register
00A0h	R/W	INT 2 Base Address Register



00A1h	R/W	INT 2 Mask Register
-------	-----	---------------------

**Timer Registers** (These registers can be accessed from PCI bus or ISA bus.)

Address	Attribute	Register Name
0040h	R/W	Interval Timer 1 - Counter 0
0041h	R/W	Interval Timer 1 - Counter 1
0042h	R/W	Interval Timer 1 - Counter 2
0043h	WO	Interval Timer 1 - Control Word Register

**RTC Registers**

Address	Attribute	Register Name
00h	R/W	Seconds
01h	R/W	Seconds Alarm
02h	R/W	Minutes
03h	R/W	Minutes Alarm
04h	R/W	Hours
05h	R/W	Hours Alarm
06h	R/W	Day of Week
07h	R/W	Day of Month
08h	R/W	Month
09h	R/W	Year
0Ah	R/W	Register A
0Bh	R/W	Register B ( bit 3 must be set to 0)
0Ch	R/W	Register C
0Dh	R/W	Register D
7Eh	R/W	Day of Month Alarm
7Fh	R/W	Month Alarm

Note: Day of Month Alarm and Month Alarm on 7Eh/7Fh have function only when APC\_EN is enabled (APC I:[6]=1)

**APC Control Registers ( Must set Register 44h bit 4 to 1 to access these registers)**

Address	Attribute	Register Name
00h	R/W	Reserved
01h	R/W	Reserved
02h	R/W	Day of Week Alarm
03h	R/W	Auto Power Control Register I
04h	R/W	Auto Power Control Register II

**Day of Week Alarm Register****Bit 7 Automatic Power Up System On Sat**

0: Disable

1: Enable

Before enabling this function, Auto Power Control Register I bit 6 and Day of Week Alarm Register bit 0 should be enabled and RTC Alarm should be programmed.



- Bit 6 Automatic Power Up System On Fri**  
0: Disable  
1: Enable  
Before enabling this function, Auto Power Control Register I bit 6 and Day of Week Alarm Register bit 0 should be enabled and RTC Alarm should be programmed.
- Bit 5 Automatic Power Up System On Thu**  
0: Disable  
1: Enable  
Before enabling this function, Auto Power Control Register I bit 6 and Day of Week Alarm Register bit 0 should be enabled and RTC Alarm should be programmed.
- Bit 4 Automatic Power Up System On Wed**  
0: Disable  
1: Enable  
Before enabling this function, Auto Power Control Register I bit 6 and Day of Week Alarm Register bit 0 should be enabled and RTC Alarm should be programmed.
- Bit 3 Automatic Power Up System On Tue**  
0: Disable  
1: Enable  
Before enabling this function, Auto Power Control Register I bit 6 and Day of Week Alarm Register bit 0 should be enabled and RTC Alarm should be programmed.
- Bit 2 Automatic Power Up System On Mon**  
0: Disable  
1: Enable  
Before enabling this function, Auto Power Control Register I bit 6 and Day of Week Alarm Register bit 0 should be enabled and RTC Alarm should be programmed.
- Bit 1 Automatic Power Up System On Sun**  
0: Disable  
1: Enable  
Before enabling this function, Auto Power Control Register I bit 6 and Day of Week Alarm Register bit 0 should be enabled and RTC Alarm should be programmed.
- Bit 0 Day of Week Alarm Control (DayWeekAlarm\_EN)**  
0: Disable  
1: Enable  
Before enabling this function, Auto Power Control Register I bit 6 should be enabled.

#### **Auto Power Control Register I**

- Bit 7 Reserved**



- Bit 6 Auto Power Control (APC) Function Control (APC\_EN)**  
0: Disable  
1: Enable  
When enabling this bit, functions of automatic power up system, power off system and a ring leads to power up system may work.
- Bit 5 RING Function Control (RNUP\_EN)**  
0 : Disable  
1 : Enable  
Before enabling this function, Auto Power Control Register I bit 6 should be enabled.
- Bit 4 RING Input Active Level Control**  
0: Active high  
1: Active low
- Bit 3 GPIO5 Leads To Power Up System Control (STARTREQ\_EN)**  
0 : Disable (default)  
1 : Enable  
A high to low transition on GPIO5 leads to activate the power up control, this bit is effective only when bit 6 of Auto Power Control Register I is set.
- Bit 2 ACPI Alarm Function Status Control**  
0 : Disable  
1 : Enable  
This bit is used to enable the five alarm functions in RTC registers 01h, 03h, 05h, 7Eh, 7Fh.  
Note: Before enabling this function, APC I[6] should be enabled.
- Bit 1 Test Mode for internal use only**  
0 : Normal Mode  
1 : Test Mode
- Bit 0 Test Mode for internal use only**  
0 : Normal Mode  
1 : Test Mode

#### Auto Power Control Register II

- Bits 7:4 Reserved**
- Bit 3 GPIO10 as Input/Output Mode Control**  
0: Output Mode  
1: Input Mode
- Bit 2 GPIO5 as Input/Output Mode Control**  
0: Output Mode  
1: Input Mode
- Bit 1 Pin Definition Select for GPIO10/ACPILED Selection**  
0: GPIO10  
1: ACPILED



**Bit 0 1 Hz function Support**

0: Disable

1: Enable

**Other Registers** (These registers can be accessed from PCI bus or ISA bus.)

Address	Attribute	Register Name
0061h	R/W	NMI Status Register
0070h	WO	CMOS RAM Address and NMI Mask Register
00F0h	WO	Coprocessor Error Register

**Register 4D0h IRQ Edge/Level Control Register 1**

**Bit 7 IRQ7**

0: Edge sensitive

1: Level sensitive

**Bit 6 IRQ6**

0: Edge sensitive

1: Level sensitive

**Bit 5 IRQ5**

0: Edge sensitive

1: Level sensitive

**Bit 4 IRQ4**

0: Edge sensitive

1: Level sensitive

**Bit 3 IRQ3**

0: Edge sensitive

1: Level sensitive

**Bit 2 IRQ2**

This bit must be set to 0. Read as 0.

**Bit 1 IRQ1**

This bit must be set to 0. Read as 0.

**Bit 0 IRQ0**

This bit must be set to 0. Read as 0.

After reset this register is set to 00h.

**Register 4D1h IRQ Edge/Level Control Register 2**

**Bit 7 IRQ15**

0: Edge sensitive

1: Level sensitive

**Bit 6 IRQ14**





- 0: Edge sensitive  
1: Level sensitive
- Bit 5    IRQ13**  
This bit must be set to 0. Read as 0.
- Bit 4    IRQ12**  
0: Edge sensitive  
1: Level sensitive
- Bit 3    IRQ11**  
0: Edge sensitive  
1: Level sensitive
- Bit 2    IRQ10**  
0: Edge sensitive  
1: Level sensitive
- Bit 1    IRQ9**  
0: Edge sensitive  
1: Level sensitive
- Bit 0    IRQ8#**  
This bit must be set to 0. Read as zero.  
After reset this register is set to 00h.

**Register CF9h    Reset control register**

- Bits 7:5    Reserved**
- Bit 4    INIT Control**  
0: Drive INIT during keyboard reset  
1: Drive CPURST# during keyboard reset and INIT is inactive.
- Bits 3:2    Software Reset Control**  
Writing "11" to these two bits at the same time will generate CPURST.
- Bits 1:0    Reserved**

**6.4 PCI IDE Configuration Space**

Device	IDSEL	Function Number
IDE	AD12	0001b

**Register 00~01h - Vendor ID****Bits 15:0    1039h(Read Only)****Register 02~03h - Device ID****Bits 15:0    5513h(Read only)**



**Register 04h~05h Command port**

**Bits 15:8 00h(Read Only)**

**Bits 7:3 These bits are hardwired to 0.**

**Bit 2 Bus Master Enable**

When set, the Bus master function is enabled. It is disabled by default.

**Bit 1 Memory Space Enable**

This bit should be programmed as "0".

**Bit 0 I/O Space Enable**

When enabled, the built-in IDE will respond to any access of the IDE legacy ports in the compatibility mode, or to any access of the IDE relocatable ports in the native mode. Also, any access to the PCI bus master IDE registers are allowed. This bit is zero(disabled) on reset.

**Register 06h~07h Status**

**Bits 15:14 These bits are hardwired to zero.**

**Bit 13 Master Abort Asserted**

This bit is set when a PCI bus master IDE transaction is terminated by master abort. While this bit is set, IDE will issue an interrupt request. This bit can be cleared by writing a 1 to it.

**Bit 12 Received Target Abort**

The bit is set whenever PCI bus master IDE transaction is terminated with target abort.

**Bit 11 Signaled Target Abort.**

The bit will be asserted when IDE terminates a transaction with target abort.

**Bits 10:9 DEVSEL# Timing**

These two bits define the timing of asserting DEVSEL#. The built-in IDE always asserts DEVSEL# in fast timing, and thus the two bits are hardwired to 0 per PCI Spec.

**Bit 8 Reserved, Read as "0".**

**Bits 7:6 These bits are hardwired to zero.**

**Bit 5 This is a reserved bit, and is recommend to program 0.**

**Bits 4:0 These bits are hardwired to zero.**

**Register 08h - Revision Identification**

**Bits 7:0 D0h(Read Only)**

**Register 09h - Programming Interface Byte**

**Bit 7 Master IDE Device**

This bit is hardwired to one to indicate that the built-in IDE is capable of supporting bus master function.



**Bits 6:4    Reserved**

**Bit 3        Secondary IDE Programmable Indicator**

When the bit is programmed as '1', it means that the primary channel can be programmed to operate in compatible or native mode. When the bit is programmed as '0', the mode is fixed and is determined by the value of bit 2. This bit should be programmed as '1' during the BIOS boot up procedures.

**Bit 2        Secondary IDE Operating Mode**

This bit defines the mode that the secondary IDE channel is operating in. Zero corresponds to 'compatibility' while one means native mode. By default, this bit is 0 and is programmable.

**Bit 1        Primary IDE Programmable Indicator**

When the bit is programmed as '1', it means that the primary channel can be programmed to operate in compatible or native mode. When the bit is programmed as '0', the mode is fixed and is determined by the value of bit 0. This bit should be programmed as '1' during the BIOS boot up procedures.

**Bit 0        Primary IDE Operating Mode**

This bit defines the mode that the primary IDE channel is operating in. Zero corresponds to 'compatibility' while one means native mode. By default, this bit is 0 and is programmable.

**Register 0Ah - Subclass ID**

**Bits 7:0    01h**

**Register 0Bh - Class ID**

**Bits 7:0    01h**

**Register 0Ch - Cache Line Size**

**Bits 7:0    00h**

**Register 0Dh- Latency Timer**

**Bits 7:0    Programmable (from 0 to 255). The default value is 0.**

**Register 0Eh - Header Type**

**Bits 7:0    80h**

**Register 0Fh - BIST**

**Bits 7:0    00h**



**Register 10h~13h Primary Channel Command Block Base Address Register**

**Register 14h~17h Primary Channel Control Block Base Address Register**

**Register 18h~1Bh Secondary Channel Command Block Base Address Register**

**Register 1Ch~1Fh Secondary Channel Control Block Base Address Register**

In the native mode, above four registers define the IDE base address for each of the two IDE devices in both the primary and secondary channels respectively. In the compatible mode, the four registers can still be programmed and read out, but it does not affect the IDE address decoding.

**Register 20h~23h Bus Master IDE Control Register Base Address**

Offset Register	Register Access
00h	Bus Master IDE Command Register (Primary)
01h	Reserved
02h	Bus Master IDE Status Register(Primary)
03h	Reserved
04-07h	Bus Master IDE PRD (*) Table Pointer (Primary)
08h	Bus Master IDE Command Register (Secondary)
09h	Reserved
0Ah	Bus Master IDE Status Register (Secondary)
0Bh	Reserved
0C-0Fh	Bus Master IDE PRD (*) Table Pointer (Secondary)

\*PRD: Physical Region Descriptor

**Register 24h~2Bh Reserved**

**Register 2Ch Subsystem ID**

This register can be written once and is used to identify vendor of the subsystem.

**Register 2Dh~2Fh Reserved. Read as "0".**

**Register 30h~33h Expansion ROM Base Address**

**Register 40h IDE Primary Channel/Master Drive Data Recovery Time Control.**

**Bit 7 Test mode for internal use only**

0: Normal mode



- 1: Test mode
- Bit 6 Test mode for internal use only**
  - 0: Normal mode
  - 1: Test mode
- Bits 5:4 Reserved**
- Bits 3:0 Recovery Time**

0000: 12 PCICLK	0001: 1 PCICLK
0010: 2 PCICLK	0011: 3 PCICLK
0100: 4 PCICLK	0101: 5 PCICLK
0110: 6 PCICLK	0111: 7 PCICLK
1000: 8 PCICLK	1001: 9 PCICLK
1010: 10 PCICLK	1011: 11 PCICLK
1100: 13 PCICLK	1101: 14 PCICLK
1110: 15 PCICLK	1111: 15 PCICLK

**Register 41h IDE Primary Channel/Master Drive Control**

- Bit 7 Ultra DMA Mode Control**
  - 0: Disable
  - 1: Enable
- Bits 6:5 Ultra DMA/33 cycle time Select**
  - 00: Reserved
  - 01: Cycle time of 2 PCI clocks for data out
  - 10: Cycle time of 3 PCI clocks for data out
  - 11: Cycle time of 4 PCI clocks for data out
- Bits 4:3 Reserved**
- Bits 2:0 Data Active Time Control**

000: 8 PCICLK	001: 1 PCICLK
010: 2 PCICLK	011: 3 PCICLK
100: 4 PCICLK	101: 5 PCICLK
110: 6 PCICLK	111: 12 PCICLK

**Register 42h IDE Primary Channel/Slave Drive Data Recovery Time Control.**

- Bits 7:4 Reserved**
- Bits 3:0 Recovery Time**

0000: 12 PCICLK	0001: 1 PCICLK
0010: 2 PCICLK	0011: 3 PCICLK
0100: 4 PCICLK	0101: 5 PCICLK
0110: 6 PCICLK	0111: 7 PCICLK
1000: 8 PCICLK	1001: 9 PCICLK
1010: 10 PCICLK	1011: 11 PCICLK
1100: 13 PCICLK	1101: 14 PCICLK
1110: 15 PCICLK	1111: 15 PCICLK



**Register 43h IDE Primary Channel/Slave Drive Data Active Time Control**

- Bit 7 Ultra DMA/33 Mode Control**  
0: Disable  
1: Enable
- Bits 6:5 Ultra DMA/33 Cycle time Select**  
00: Reserved  
01: Cycle time of 2 PCI clocks for data out  
10: Cycle time of 3 PCI clocks for data out  
11: Cycle time of 4 PCI clocks for data out
- Bits 4:3 Reserved**
- Bits 2:0 Data Active Time Control**  
000: 8 PCICLK    001: 1 PCICLK  
010: 2 PCICLK    011: 3 PCICLK  
100: 4 PCICLK    101: 5 PCICLK  
110: 6 PCICLK    111: 12 PCICLK

**Register 44h IDE Secondary Channel/Master Drive Data Recovery Time Control.**

- Bits 7:4 Reserved**
- Bits 3:0 Recovery Time**
- |       |           |       |           |
|-------|-----------|-------|-----------|
| 0000: | 12 PCICLK | 0001: | 1 PCICLK  |
| 0010: | 2 PCICLK  | 0011: | 3 PCICLK  |
| 0100: | 4 PCICLK  | 0101: | 5 PCICLK  |
| 0110: | 6 PCICLK  | 0111: | 7 PCICLK  |
| 1000: | 8 PCICLK  | 1001: | 9 PCICLK  |
| 1010: | 10 PCICLK | 1011: | 11 PCICLK |
| 1100: | 13 PCICLK | 1101: | 14 PCICLK |
| 1110: | 15 PCICLK | 1111: | 15 PCICLK |

**Register 45h IDE Secondary Channel/Master Drive Data Active Time Control**

- Bit 7 Ultra DMA/33 Mode Control**  
0: Disable  
1: Enable
- Bits 6:5 Ultra DMA/33 Cycle time Select**  
00: Reserved  
01: Cycle time of 2 PCI clocks for data out  
10: Cycle time of 3 PCI clocks for data out  
11: Cycle time of 4 PCI clocks for data out
- Bits 4:3 Reserved**
- Bits 2:0 Data Active Time Control**  
000: 8 PCICLK    001: 1 PCICLK  
010: 2 PCICLK    011: 3 PCICLK



100: 4 PCICLK    101: 5 PCICLK  
110: 6 PCICLK    111: 12 PCICLK

**Register 46h IDE Secondary Channel/Slave Drive Data Recovery Time Control.**

**Bits 7:4    Reserved**

**Bits 3:0    Recovery Time**

0000:	12 PCICLK	0001:	1 PCICLK
0010:	2 PCICLK	0011:	3 PCICLK
0100:	4 PCICLK	0101:	5 PCICLK
0110:	6 PCICLK	0111:	7 PCICLK
1000:	8 PCICLK	1001:	9 PCICLK
1010:	10 PCICLK	1011:	11 PCICLK
1100:	13 PCICLK	1101:	14 PCICLK
1110:	15 PCICLK	1111:	15 PCICLK

**Register 47h IDE Secondary Channel/Slave Drive Data Active Time Control**

**Bit 7        Ultra DMA/33 Mode Control**

0: Disable  
1: Enable

**Bits 6:5    Ultra DMA/33 Mode Select**

00: Reserved  
01: Cycle time of 2 PCI clocks for data out  
10: Cycle time of 3 PCI clocks for data out  
11: Cycle time of 4 PCI clocks for data out

**Bits 4:3    Reserved**

**Bits 2:0    Data Active Time Control**

000:	8 PCICLK	001:	1 PCICLK
010:	2 PCICLK	011:	3 PCICLK
100:	4 PCICLK	101:	5 PCICLK
110:	6 PCICLK	111:	12 PCICLK

**Register 48h IDE Command Recovery Time Control**

**Bits 7:4    Reserved**

**Bits 3:0    Recovery Time**

0000:	12 PCICLK	0001:	1 PCICLK
0010:	2 PCICLK	0011:	3 PCICLK
0100:	4 PCICLK	0101:	5 PCICLK
0110:	6 PCICLK	0111:	7 PCICLK
1000:	8 PCICLK	1001:	9 PCICLK
1010:	10 PCICLK	1011:	11 PCICLK
1100:	13 PCICLK	1101:	14 PCICLK
1110:	15 PCICLK	1111:	15 PCICLK



Note: This bit is only meaningful when bit3 of register 52h is “0”.

### Register 49h IDE Command Active Time Control

**Bits 7:3**    **Reserved**

**Bits 2:0**    **Data Active Time Control**

000: 8 PCICLK	001: 1 PCICLK
010: 2 PCICLK	011: 3 PCICLK
100: 4 PCICLK	101: 5 PCICLK
110: 6 PCICLK	111: 12 PCICLK

Note: This bit is only meaningful when bit3 of register 52h is “0”.

### Register 4Ah IDE General Control Register 0

**Bit 7**        **Bus Master generates PCI burst cycles Control**

0: Disable  
1: Enable (default)

**Bit 6**        **Test Mode for internal use only**

0: Test Mode  
1: Normal Mode

**Bit 5**        **Fast post-write control**

0: Disabled  
1: Enabled (Recommended)

**Bit 4**        **Test Mode for internal use only**

0: Normal Mode  
1: Test Mode

**Bit 3**        **Bus Master requests PCI bus ownership timing control**

0: PCI Request asserted when FIFO is 75% full during prefetch cycles.  
1: PCI Request asserted when FIFO is 50% full during prefetch cycles.  
The default value is '0'.

**Bit 2**        **IDE Channel 0 Enable Bit**

0: Disabled (default)  
1: Enabled

**Bit 1**        **IDE Channel 1 Enable Bit**

0: Disabled (default)  
1: Enabled

**Bit 0**        **Test Mode for Internal Use**

0: Normal Mode (default)  
1: Test mode

### Register 4Bh IDE General Control register 1

**Bit 7**        **Enable Postwrite of the Slave Drive in Channel 1.**





- 0: Disabled. (default)  
1: Enabled.
- Bit 6 Enable Postwrite of the Master Drive in Channel 1.**  
0: Disabled. (default)  
1: Enabled.
- Bit 5 Enable Postwrite of the Slave Drive in Channel 0.**  
0: Disabled. (default)  
1: Enabled.
- Bit 4 Enable Postwrite of the Master Drive in Channel 0.**  
0: Disabled. (default)  
1: Enabled.
- Bit 3 Enable Prefetch of the Slave Drive in Channel 1.**  
0: Disabled. (default)  
1: Enabled.
- Bit 2 Enable Prefetch of the Master Drive in Channel 1.**  
0: Disabled. (default)  
1: Enabled.
- Bit 1 Enable Prefetch of the Slave Drive in Channel 0.**  
0: Disabled. (default)  
1: Enabled.
- Bit 0 Enable Prefetch of the Master Drive in Channel 0.**  
0: Disabled. (default)  
1: Enabled.

(Following two 16-bit wide registers define the prefetching length of each IDE channel respectively.)

**Register 4Ch~4Dh Prefetch Count of Primary Channel**

**Bits 15:0** The Count (in bytes) of IDE prefetch. The maximum value can be programmed is 512. (Default value is 512)

**Register 4Eh~4Fh Prefetch Count of Secondary Channel**

**Bits 15:0** The Count (in bytes) of IDE prefetch. The maximum value can be programmed is 512. (Default value is 512)

**Register 50h~51h IDE minimum accessed time register**

**Bits 15:0 16 bits accessed time control**

This 16-bit value (in unit of PCLK) defines a minimum accessed time for IDE controller. When IDE controller and ISA master are competing for the ISA/IDE bus, and Register 52h bit 2 is programmed as “1” to enable the IDE Granting Timer, the ISA master can preempt IDE only when IDE controller has used the bus for a minimum accessed time as define in this register. A granting timer associated with each IDE channel is used to count IDE controller’s term on the bus. This register is default to 0000h and it means 0 PCI clock.



**Register 52h IDE Miscellaneous Control Register**

**Bits 7:4 Reserved**

**Bit 3 IDE Command Timing Select**

0: The recovery and active time programmed in register 48h-49h will be applied to command cycles for all IDE devices

1: The recovery and active time programmed in register 40h-47h will be applied to command cycles for their associated IDE devices. (Default)

**Bit 2 IDE Granting Timer Control**

0: Disable

1: Enable

This bit is used together with IDE minimum access time (Register 50h~51h). When enabled, the minimum accessed time of IDE can be guaranteed by the programmed value in register 50h~51h. When disabled, the ISA master always has higher priority than IDE, and hence can preempt IDE any time.

**Bit 1 Test Mode for internal use only**

0 : Normal Mode

1 : Test Mode

**Bit 0 IDE FIFO Size Select**

0: 32 Bytes FIFO

1: 64 Bytes FIFO(Recommended)

**6.4.1 Offset Registers for PCI Bus Master IDE Control Registers**

The PCI Bus master IDE Registers use 16 bytes of I/O Space. These registers can be accessed through I/O R/W to the address defined in the Bus Master IDE control register Base Address in the PCI IDE Configuration space. The base address is also defined in Register 20h~23h of PCI IDE configuration space.

**Register 00h Bus Master Primary IDE Command Register**

**Bits 7:4 Reserved. Return 0 on reads.**

**Bit 3 Read or Write Control.**

This bit defines the R/W control of the bus master transfer. When set to zero, PCI bus master reads are conducted. When set to one, PCI bus master writes are conducted.

**Bits 2:1 Reserved.**

**Bit 0 Start/Stop Bus Master**

The **SiS Chip** built-in IDE Controller enables its bus master operation whenever it detects this bit changing from a zero to a one. The operation can be halted by writing a zero to this bit.

**Register 01h Reserved**



**Register 02h      Bus Master Primary IDE Status Register**

**Bit 7      Simplex Only**

This bit is hardwired to zero to indicate that both bus master channels can be operated at a time.

**Bit 6      Drive 1 DMA Capable**

This R/W bit can be set by BIOS or driver to indicate that drive 1 for this channel is capable of DMA transfers.

**Bit 5      Drive 0 DMA Capable**

This R/W bit can be set by BIOS or driver to indicate that drive 0 for this channel is capable of DMA transfers.

**Bits 4:3      Reserved. Return 0 on reads**

**Bit 2      Interrupt**

The bit is set by the rising edge of the IDE interrupt line to indicate that all data transferred from the drive is visible in the system memory. Writing a '1' to this bit can reset it.

**Bit 1      Error**

This bit is set when the IDE controller encounters an error during data transferring to/from memory.

**Bit 0      Bus Master IDE Device Active**

This bit is set when the start bit in the command register is set. It can be cleared when the last transfer of a region is performed, or the start bit is reset.

**Register 03h      Reserved**

**Register 04h~07h      Bus Master Primary IDE PRD Table Pointer Register**

This 32-bit register contains address pointing to the starting address of the PRD table.

**Bits 31:2      Base Address of the PRD Table**

**Bits 1:0      Reserved**

**Register 08h      Bus Master Secondary IDE Command Register**

**Bits 7:4      Reserved. Return 0 on reads.**

**Bit 3      Read or Write Control.**

This bit defines the R/W control of the bus master transfer. When set to zero, PCI bus master reads are conducted. When set to one, PCI bus master writes are conducted.

**Bits 2:1      Reserved.**

**Bit 0      Start/Stop Bus Master**

The **SiS Chip** built-in IDE Controller enables its bus master operation whenever it detects this bit changing from a zero to a one. The operation can be halted by writing a zero to this bit.



**Register 09h**      **Reserved**

**Register 0Ah**      **Bus Master Secondary IDE Status Register**

**Bit 7**      **Simplex Only**

This bit is hardwired to zero to indicate that both bus master channels can be operated at a time.

**Bit 6**      **Drive 1 DMA Capable**

This R/W bit can be set by BIOS or driver to indicate that drive 1 for this channel is capable of DMA transfers.

**Bit 5**      **Drive 0 DMA Capable**

This R/W bit can be set by BIOS or driver to indicate that drive 0 for this channel is capable of DMA transfers.

**Bits 4:3**      **Reserved. Return 0 on reads**

**Bit 2**      **Interrupt**

The bit is set by the rising edge of the IDE interrupt line to indicate that all data transferred from the drive is visible in the system memory. Writing a '1' to this bit can reset it.

**Bit 1**      **Error**

This bit is set when the IDE controller encounters an error during data transferring to/from memory.

**Bit 0**      **Bus Master IDE Device Active**

This bit is set when the start bit in the command register is set. It can be cleared when the last transfer of a region is performed, or the start bit is reset.

**Register 0Bh**      **Reserved**

**Register 0Ch~0Fh**      **Bus Master Secondary IDE PRD Table Pointer Register**

This 32-bit register contains address pointing to the starting address of the PRD table.

**Bits 31:2**      **Base Address of the PRD Table**

**Bits 1:0**      **Reserved**



## 6.5 USB Configuration Registers

The USB Configuration Registers are located in two spaces: the USB PCI Configuration Register Space as defined by PCI specification 2.1 and the USB OpenHCI Host Controller Operational Register Space as defined by OHCI specification 1.0.

### 6.5.1 USB PCI Configuration Register

Device	IDSEL	Function Number
USB	AD12	0002b

Configuration Offset	Register	Register Access
00-01h	Vendor ID	RO
02-03h	Device ID	RO
04-05h	Command	R/W
06-07h	Status	R/WC
08h	Revision ID	RO
09-0Bh	Class Code	RO
0Ch	Reserved	-
0Dh	Latency Timer	R/W
0Eh	Header Type	RO
0Fh	Reserved	-
10-13h	USB Memory Space Base Address	R/W
14-3Bh	Reserved	-
3Ch	Interrupt Line	R/W
3Dh	Interrupt Pin	RO
3Eh	Min. Grant	R/W
3Fh	Max. Latency	R/W
40-FFh	Reserved	-

#### Register 00h~01h Vendor ID

##### Bits 15:0 Vendor ID

This is a 16-bit value assigned to SiS. The default Value is 1039h.

#### Register 02~03h Device ID

##### Bits 15:0 Device ID.

This is a 16-bit value assigned to SiS USB Host Controller. The Default Value is 7001h.

#### Register 04h~05h Command (The default value is 00h)

##### Bits 15:10 Reserved

##### Bit 9 Fast Back To Back.



- 0 : Always disabled; not supported.
- Bit 8 SERR# Enable.**  
1 : Enable.  
0 : Disable.
- Bit 7 Wait Cycle Control.**  
0 : Always disabled; not supported.
- Bit 6 Parity Error Response.**  
1 : Enable.  
0 : Disable.
- Bit 5 VGA Palette Snoop.**  
0 : Always disabled; not supported.
- Bit 4 Memory write and invalidate enable.**  
1 : Enable.  
0 : Disable.
- Bit 3 Special cycle.**  
0 : Always disabled; not supported.
- Bit 2 Bus master.**  
1 : Enable.  
0 : Disable.
- Bit 1 Memory space.**  
1 : Enable.  
0 : Disable.
- Bit 0 IO space.**  
1 : Enable.  
0 : Disable.

**Register 06h~07h Status(The default value is 0280h)**

- Bit 15 Detected Parity Error.**  
This bit is set when parity error is detected. This bit is cleared by writing a 1 to it.
- Bit 14 Signaled System Error(SERR#).**  
This bit is set when SERR# is asserted. This bit is cleared by writing a 1 to it.
- Bit 13 Received Master Abort.**  
This bit is set when a master cycle is terminated by master abort. This bit is cleared by writing a 1 to it.
- Bit 12 Received Target Abort.**  
This bit is set when a master cycle is terminated by target abort. This bit is cleared by writing a 1 to it.
- Bit 11 Signaled Target Abort.**  
This bit is set when a target cycle is terminated by target abort. This bit is cleared by writing a 1 to it. 0 : always disabled; not supported.
- Bits 10:9 DEVSEL Timing.**



01 : medium.

**Bit 8 Data Parity Error Detected.**

This bit is set when

(1) PERR# is asserted.

(2) acting as bus master.

(3) Parity Error Response bit is set. This bit is cleared by writing a 1 to it.

**Bit 7 Fast back to back capable.**

1 : Always enabled.

**Bit 6 UDF support.**

0 : Always disabled; not supported.

**Bit 5 66 MHz capable.**

0 : Always disabled; not supported.

**Bits 4:0 Reserved.**

**Register 08h Revision ID**

**Bits 7:0 Revision ID.**

This register is hardwired to the default value of 0E0h. The default value is 0E0h.

**Register 09~0Bh Class Code (The default value is 0C0310H.)**

**Bits 23:16 Base Class.**

A constant value of '0Ch' identifies the device being a Serial Bus Controller.

**Bits 15:8 SUB Class.**

A constant value of '03h' identifies the device being of Universal Serial Bus.

**Bits 7:0 Programming Interface.**

A constant value of '10h' identifies the device being an OpenHCI Host Controller.

**Register 0Ch Reserved**

**Register 0Dh Latency Timer**

**Bits 7:0 Latency Timer.**

The default Value is 00h.

**Register 0Eh Header Type**

**Bits 7:0 Multiple Function Device**

The default value is 10h.

**Register 0Fh Reserved**



**Register 10h~13h USB Memory Space Base Address Register ( Default=00h)**

**Bits 31:12 Base Address**

**Bits 11:0 Reserved and hardwired to “0”.**

**Register 14h~3Bh Reserved**

**Register 3Ch Interrupt Line**

**Bit 7:0 Interrupt Line**

The default value is 00h.

**Register 3Dh Interrupt Pin**

**Bit 7:0 Interrupt Pin.**

The default value is 01h.

**Register 3Eh Minimum Grant Time**

**Bit 7:0 Minimum Grant Time**

The default value is 00h.

**Register 3Fh Maximum Latency Time**

**Bit 7:0 Maximum Latency Time**

The default value is 00h.

## **6.5.2 USB OpenHCI Host Controller Operational Register**

The base address of these registers are programmable by the memory base address register (USB PCI configuration register offset 10-13h). These registers should be written as Dword, byte write to these registers have unpredictable effects.

The OpenHCI Host Controller (HC) contains a set of on-chip operational registers which are mapped into a noncacheable portion of the system addressable space. These registers are used by the Host Controller Driver (HCD). According to the function of these registers, they are divided into four partitions, specifically for Control and Status, Memory Pointer, Frame Counter and Root Hub. All of the registers should be read and written as Dwords.

Reserved bits may be allocated in future releases of this specification. To ensure interoperability, the Host Controller Driver that does not use a reserved field should not assume that the reserved field contains 0. Furthermore, the Host Controller Driver should always preserve the value(s) of the reserved field. When a R/W register is modified, the Host Controller Driver should first read the register, modify the bits desired, then write the register with the reserved bits still containing the read value. Alternatively, the Host Controller Driver





can maintain an in-memory copy of previously written values that can be modified and then written to the Host Controller register. When a write to set/clear register is written, bits written to reserved fields should be 0.

### Host Controller Operational Registers

Offset	31	00
	HcRevision	
4	HcControl	
8	HcCommandStatus	
C	HcInterruptStatus	
10	HcInterruptEnable	
14	HcInterruptDisable	
18	HcHCCA	
1C	HcPeriodCurrentED	
20	HcControlHeadED	
24	HcControlCurrentED	
28	HcBulkHeadED	
2C	HcBulkCurrentED	
30	HcDoneHead	
34	HcFmInterval	
38	HcFmRemaining	
3C	HcFmNumber	
40	HcPeriodicStart	
44	HcLSThreshold	
48	HcRhDescriptorA	
4C	HcRhDescriptorB	
50	HcRhStatus	
54	HcRhPortStatus[1]	
58	HcRhPortStatus[2]	
100	HceControl	
104	HceInput	
108	HceOutput	
10C	HceStatus	

#### 6.5.2.1 Control and Status Partition

##### Register 00h HcRevision Register

Bits 31:9 Reserved

Bit 8 Legacy



This read-only field is 1 to indicate that the legacy support registers are present in this HC.

**Bits 7:0 Revision**

This read-only field contains the BCD representation of the version of the HCI specification that is implemented by this HC. For example, a value of 11h corresponds to version 1.1. All of the HC implementations that are compliant with current OpenHCI 1.0 specification will have a value of 10h.

**Register 04h HcControl Register**

The *HcControl* register defines the operating modes for the Host Controller. Most of the fields in this register are modified only by the Host Controller Driver, except *HostControllerFunctionalState* and *RemoteWakeupConnected*.

**Bits 31:11 Reserved**

**Bit 10 RemoteWakeupEnable**

This bit is used by HCD to enable or disable the remote wakeup feature upon the detection of upstream resume signaling. When this bit is set and the **ResumeDetected** bit in *HcInterruptStatus* is set, a remote wakeup is signaled to the host system. Setting this bit has no impact on the generation of hardware interrupt.

Since there is no remote wakeup supported, this bit is ignored.

**Bit 9 RemoteWakeupConnected**

This bit indicates whether HC supports remote wakeup signaling. If remote wakeup is supported and used by the system it is the responsibility of system firmware to set this bit during POST. HC clears the bit upon a hardware reset but does not alter it upon a software reset. Remote wakeup signaling of the host system is host-bus-specific and is not described in this specification.

This bit is hard-coded to '0'.

**Bit 8 InterruptRouting**

This bit determines the routing of interrupts generated by events registered in *HcInterruptStatus*. If clear, all interrupts are routed to the normal host bus interrupt mechanism. If set, interrupts are routed to the System Management Interrupt. HCD clears this bit upon a hardware reset, but it does not alter this bit upon a software reset. HCD uses this bit as a tag to indicate the ownership of HC.

**Bits 7:6 HostControllerFunctionalState for USB**

- 00b: UsbReset
- 01b: UsbResume
- 10b: UsbOperational
- 11b: UsbSuspend

A transition to *UsbOperational* from another state causes SOF generation to begin 1 ms later. HCD may determine whether HC has begun sending SOFs by reading the **StartofFrame** field of *HcInterruptStatus*.

This field may be changed by HC only when in the *UsbSuspend* state. HC may move from the *UsbSuspend* state to the *UsbResume* state after detecting the resume signaling from a downstream port.



HC enters USB\_SUSPEND after a software reset, whereas it enters USB\_RESET after a hardware reset. The latter also resets the Root Hub and asserts subsequent reset signaling to downstream ports.

**Bit 5 BulkListEnable**

This bit is set to enable the processing of the Bulk list in the next Frame. If cleared by HCD, processing of the Bulk list does not occur after the next SOF. HC checks this bit whenever it determines to process the list. When disabled, HCD may modify the list. If *HcBulkCurrentED* is pointing to an ED to be removed, HCD must advance the pointer by updating *HcBulkCurrentED* before re-enabling processing of the list.

**Bit 4 ControlListEnable**

This bit is set to enable the processing of the Control list in the next Frame. If cleared by HCD, processing of the Control list does not occur after the next SOF. HC must check this bit whenever it determines to process the list. When disabled, HCD may modify the list. If *HcControlCurrentED* is pointing to an ED to be removed, HCD must advance the pointer by updating *HcControlCurrentED* before re-enabling processing of the list.

**Bit 3 IsochronousEnable**

This bit is used by HCD to enable/disable processing of isochronous EDs. While processing the periodic list in a Frame, HC checks the status of this bit when it finds an Isochronous ED (F=1). If set (enabled), HC continues processing the EDs. If cleared (disabled), HC halts processing of the periodic list (which now contains only isochronous EDs) and begins processing the Bulk/Control lists. Setting this bit is guaranteed to take effect in the next Frame (not the current Frame).

**Bit 2 PeriodicListEnable**

This bit is set to enable the processing of the periodic list in the next Frame. If cleared by HCD, processing of the periodic list does not occur after the next SOF. HC must check this bit before it starts processing the list.

**Bits 1:0 ControlBulkServiceRatio**

This specifies the service ratio between Control and Bulk EDs. Before processing any of the nonperiodic lists, HC must compare the ratio specified with its internal count on how many nonempty Control EDs have been processed, in determining whether to continue serving another Control ED or switching to Bulk EDs. The internal count will be retained when crossing the frame boundary. In case of reset, HCD is responsible for restoring this value.

CBSR	No. of Control EDs Over Bulk EDs Served
0	1 : 1
1	2 : 1
2	3 : 1
3	4 : 1

**Register 08h HcCommandStatus Register**

The *HcCommandStatus* register is used by the Host Controller to receive commands issued by the Host Controller Driver, as well as reflecting the current



status of the Host Controller. To the Host Controller Driver, it appears to be a "write to set" register. The Host Controller must ensure that bits written as '1' become set in the register while bits written as '0' remain unchanged in the register. The Host Controller Driver may issue multiple distinct commands to the Host Controller without concern for corrupting previously issued commands. The Host Controller Driver has normal read access to all bits.

The **SchedulingOverrunCount** field indicates the number of frames with which the Host Controller has detected the scheduling overrun error. This occurs when the Periodic list does not complete before EOF. When a scheduling overrun error is detected, the Host Controller increments the counter and sets the **SchedulingOverrun** field in the *HcInterruptStatus* register.

**Bits 31:18 Reserved**

**Bits 17:16 SchedulingOverrunCount**

These bits are incremented on each scheduling overrun error. It is initialized to 00b and wraps around at 11b. This will be incremented when a scheduling overrun is detected even if **SchedulingOverrun** in *HcInterruptStatus* has already been set. This is used by HCD to monitor any persistent scheduling problems.

**Bits 15:4 Reserved**

**Bit 3 OwnershipChangeRequest**

This bit is set by an OS HCD to request a change of control of the HC. When set HC will set the **OwnershipChange** field in *HcInterruptStatus*. After the changeover, this bit is cleared and remains so until the next request from OS HCD.

**Bit 2 BulkListFilled**

This bit is used to indicate whether there are any TDs on the Bulk list. It is set by HCD whenever it adds a TD to an ED in the Bulk list.

When HC begins to process the head of the Bulk list, it checks BF. As long as **BulkListFilled** is 0, HC will not start processing the Bulk list. If **BulkListFilled** is 1, HC will start processing the Bulk list and will set BF to 0. If HC finds a TD on the list, then HC will set **BulkListFilled** to 1 causing the Bulk list processing to continue. If no TD is found on the Bulk list, and if HCD does not set **BulkListFilled**, then **BulkListFilled** will still be 0 when HC completes processing the Bulk list and Bulk list processing will stop.

**Bit 1 ControlListFilled**

This bit is used to indicate whether there are any TDs on the Control list. It is set by HCD whenever it adds a TD to an ED in the Control list.

When HC begins to process the head of the Control list, it checks CLF. As long as **ControlListFilled** is 0, HC will not start processing the Control list. If CF is 1, HC will start processing the Control list and will set **ControlListFilled** to 0. If HC finds a TD on the list, then HC will set **ControlListFilled** to 1 causing the Control list processing to continue. If no TD is found on the Control list, and if the HCD does not set **ControlListFilled**, then **ControlListFilled** will still be 0 when HC completes processing the Control list and Control list processing will stop.

**Bit 0 HostControllerReset**

This bit is set by HCD to initiate a software reset of HC. Regardless of the functional state of HC, it moves to the USBsuspend state in which most of the operational registers are reset except those stated otherwise; e.g., the **InterruptRouting** field of *HcControl*, and no Host bus accesses are allowed. This bit is cleared by HC upon the completion of the reset operation. The reset operation must be completed within 10  $\mu$ s. This bit, when set, should not cause a reset to the Root Hub and no subsequent reset signaling should be asserted to its downstream ports.

**Register 0Ch HcInterruptStatus Register**

This register provides status on various events that cause hardware interrupts. When an event occurs, Host Controller sets the corresponding bit in this register. When a bit becomes set, a hardware interrupt is generated if the interrupt is enabled in the *HcInterruptEnable* register and the **MasterInterruptEnable** bit is set. The Host Controller Driver may clear specific bits in this register by writing '1' to bit positions to be cleared. The Host Controller Driver may not set any of these bits. The Host Controller will never clear the bit.

**Bit 31 Reserved and read as 0.****Bit 30 OwnershipChange Status**

This bit is set by HC when HCD sets the **OwnershipChangeRequest** field in *HcCommandStatus*. This event, when unmasked, will always generate an System Management Interrupt (SMI) immediately.

This bit is tied to 0b when the SMI pin is not implemented.

**Bits 29:7 Reserved****Bit 6 RootHubStatusChange Status**

This bit is set when the content of *HcRhStatus* or the content of any of *HcRhPortStatus*[**NumberOfDownstreamPort**] has changed.

**Bit 5 FrameNumberOverflow Status**

This bit is set when the MSb of *HcFmNumber* (bit 15) changes value, from 0 to 1 or from 1 to 0, and after *HccaFrameNumber* has been updated.

**Bit 4 UnrecoverableError Status**

This bit is set when HC detects a system error not related to USB. HC should not proceed with any processing nor signaling before the system error has been corrected. HCD clears this bit after HC has been reset.

This event is not implemented and is hard-coded to '0'.

**Bit 3 ResumeDetected Status**

This bit is set when HC detects that a device on the USB is asserting resume signaling. It is the transition from no resume signaling to resume signaling causing this bit to be set. This bit is not set when HCD sets the USBRESUME state.

**Bit 2 StartofFrame Status**

This bit is set by HC at each start of a frame and after the update of *HccaFrameNumber*. HC also generates a SOF token at the same time.

**Bit 1 WritebackDoneHead Status**



This bit is set immediately after HC has written *HcDoneHead* to *HccaDoneHead*. Further updates of the *HccaDoneHead* will not occur until this bit has been cleared. HCD should only clear this bit after it has saved the content of *HccaDoneHead*.

**Bit 0 SchedulingOverrun Status**

This bit is set when the USB schedule for the current Frame overruns and after the update of *HccaFrameNumber*. A scheduling overrun will also cause the **SchedulingOverrunCount** of *HcCommandStatus* to be incremented.

**Register 10h HcInterruptEnable Register**

Each enable bit in the *HcInterruptEnable* register corresponds to an associated interrupt bit in the *HcInterruptStatus* register. The *HcInterruptEnable* register is used to control which events generate a hardware interrupt. When a bit is set in the *HcInterruptStatus* register AND the corresponding bit in the *HcInterruptEnable* register is set AND the **MasterInterruptEnable** bit is set, then a hardware interrupt is requested on the host bus.

Writing a '1' to a bit in this register sets the corresponding bit, whereas writing a '0' to a bit in this register leaves the corresponding bit unchanged. On read, the current value of this register is returned.

**Bit 31 A '0' written to this field is ignored by HC. A '1' written to this field enables interrupt generation due to events specified in the other bits of this register. This is used by HCD as a Master Interrupt Enable.**

**Bit 30 OwnershipChange Enable**

0: Ignore

1: Enable interrupt generation due to Ownership Change.

**Bits 29:7 Reserved**

**Bit 6 RootHubStatusChange Enable**

0: Ignore

1: Enable interrupt generation due to Root Hub Status Change.

**Bit 5 FrameNumberOverflow Enable**

0: Ignore

1: Enable interrupt generation due to Frame Number Overflow.

**Bit 4 UnrecoverableError Enable**

0: Ignore

1: Enable interrupt generation due to Unrecoverable Error.

**Bit 3 ResumeDetected Enable**

0: Ignore

1: Enable interrupt generation due to Resume Detect.

**Bit 2 StartFrame Enable**

0: Ignore

1: Enable interrupt generation due to Start of Frame.

**Bit 1 WritebackDoneHead Enable**

0: Ignore



- 1: Enable interrupt generation due to HcDoneHead Writeback.
- Bit 0 SchedulingOverrun Enable**  
0: Ignore  
1: Enable interrupt generation due to Scheduling Overrun.

**Register 14h HcInterruptDisable Register**

Each disable bit in the *HcInterruptDisable* register corresponds to an associated interrupt bit in the *HcInterruptStatus* register. The *HcInterruptDisable* register is coupled with the *HcInterruptEnable* register. Thus, writing a '1' to a bit in this register clears the corresponding bit in the *HcInterruptEnable* register, whereas writing a '0' to a bit in this register leaves the corresponding bit in the *HcInterruptEnable* register unchanged. On read, the current value of the *HcInterruptEnable* register is returned.

- Bit 31** A '0' written to this field is ignored by HC. A '1' written to this field disables interrupt generation due to events specified in the other bits of this register. This field is set after a hardware or software reset.
- Bit 30 OwnershipChange Disable**  
0: Ignore  
1: Disable interrupt generation due to Ownership Change.
- Bits 29:7 Reserved**
- Bit 6 RootHubStatusChange Disable**  
0: Ignore  
1: Disable interrupt generation due to Root Hub Status Change.
- Bit 5 FrameNumberOverflow Disable**  
0: Ignore  
1: Disable interrupt generation due to Frame Number Overflow.
- Bit 4 UnrecoverableError Disable**  
0: Ignore  
1: Disable interrupt generation due to Unrecoverable Error.
- Bit 3 ResumeDetected Disable**  
0: Ignore  
1: Disable interrupt generation due to Resume Detect.
- Bit 2 StartFrame Disable**  
0: Ignore  
1: Disable interrupt generation due to Start of Frame.
- Bit 1 WritebackDoneHead Disable**  
0: Ignore  
1: Disable interrupt generation due to HcDoneHead Writeback.
- Bit 0 Scheduling Overrun Disable**  
0: Ignore  
1: Disable interrupt generation due to Scheduling Overrun.





### 6.5.2.2 Memory Pointer Partition

#### Register 18h *HcHCCA* Register

The *HcHCCA* register contains the physical address of the Host Controller Communication Area. The Host Controller Driver determines the alignment restrictions by writing all 1s to *HcHCCA* and reading the content of *HcHCCA*. The alignment is evaluated by examining the number of zeroes in the lower order bits. The minimum alignment is 256 bytes; therefore, bits 0 through 7 must always return '0' when read. This area is used to hold the control structures and the Interrupt table that are accessed by both the Host Controller and the Host Controller Driver.

**Bits 31:8** This is the base address of the Host Controller Communication Area.

**Bits 7:0** Reserved and read as '0'.

#### Register 1Ch *HcPeriodCurrentED* Register

The *HcPeriodCurrentED* register contains the physical address of the current Isochronous or Interrupt Endpoint Descriptor.

**Bits 31:4** **PeriodCurrentED**

This is used by HC to point to the head of one of the Periodic lists which will be processed in the current Frame. The content of this register is updated by HC after a periodic ED has been processed. HCD may read the content in determining which ED is currently being processed at the time of reading.

**Bits 3:0** Reserved and read as "0".

#### Register 20h *HcControlHeadED* Register

The *HcControlHeadED* register contains the physical address of the first Endpoint Descriptor of the Control list.

**Bits 31:4** **ControlHeadED**

HC traverses the Control list starting with the *HcControlHeadED* pointer. The content is loaded from HCCA during the initialization of HC.

**Bits 3:0** Reserved and read as "0".

#### Register 24h *HcControlCurrentED* Register

The *HcControlCurrentED* register contains the physical address of the current Endpoint Descriptor of the Control list.

**Bits 31:4** **ControlCurrentED**

This pointer is advanced to the next ED after serving the present one. HC will continue processing the list from where it left off in the last Frame. When it reaches the end of the Control list, HC checks the **ControlListFilled** of in *HcCommandStatus*. If set, it copies the content of *HcControlHeadED* to *HcControlCurrentED* and clears the bit. If not set, it does nothing. HCD is allowed to modify this register only when the **ControlListEnable** of *HcControl* is





cleared. When set, HCD only reads the instantaneous value of this register. Initially, this is set to zero to indicate the end of the Control list.

**Bits 3:0** Reserved and read as “0”.

#### **Register 28h *HcBulkHeadED* Register**

The *HcBulkHeadED* register contains the physical address of the first Endpoint Descriptor of the Bulk list.

**Bits 31:4** BulkHeadED

HC traverses the Bulk list starting with the *HcBulkHeadED* pointer. The content is loaded from HCCA during the initialization of HC.

**Bits 3:0** Reserved and read as “0”.

#### **Register 2Ch *HcBulkCurrentED* Register**

The *HcBulkCurrentED* register contains the physical address of the current endpoint of the Bulk list. As the Bulk list will be served in a round-robin fashion, the endpoints will be ordered according to their insertion to the list.

**Bits 31:4** BulkCurrentED

This is advanced to the next ED after the HC has served the present one. HC continues processing the list from where it left off in the last Frame. When it reaches the end of the Bulk list, HC checks the **ControlListFilled** of *HcControl*. If set, it copies the content of *HcBulkHeadED* to *HcBulkCurrentED* and clears the bit. If it is not set, it does nothing. HCD is only allowed to modify this register when the **BulkListEnable** of *HcControl* is cleared. When set, the HCD only reads the instantaneous value of this register. This is initially set to zero to indicate the end of the Bulk list.

**Bits 3:0** Reserved and read as “0”.

#### **Register 30h *HcDoneHead* Register**

The *HcDoneHead* register contains the physical address of the last completed Transfer Descriptor that was added to the Done queue. In normal operation, the Host Controller Driver should not need to read this register as its content is periodically written to the HCCA.

**Bits 31:4** DoneHead

When a TD is completed, HC writes the content of *HcDoneHead* to the NextTD field of the TD. HC then overwrites the content of *HcDoneHead* with the address of this TD.

This is set to zero whenever HC writes the content of this register to HCCA. It also sets the **WritebackDoneHead** of *HcInterruptStatus*.

**Bits 3:0** Reserved and read as “0”.



### 6.5.2.3 Frame Counter Partition

#### Register 34h *HcFmInterval* Register

The *HcFmInterval* register contains a 14-bit value which indicates the bit time interval in a Frame, (i.e., between two consecutive SOFs), and a 15-bit value indicating the Full Speed maximum packet size that the Host Controller may transmit or receive without causing scheduling overrun. The Host Controller Driver may carry out minor adjustment on the **FrameInterval** by writing a new value over the present one at each SOF. This provides the programmability necessary for the Host Controller to synchronize with an external clocking resource and to adjust any unknown local clock offset.

#### Bit 31 **FrameIntervalToggle**

HCD toggles this bit whenever it loads a new value to **FrameInterval**.

#### Bits 30:16 **FSLargestDataPacket**

This field specifies a value which is loaded into the Largest Data Packet Counter at the beginning of each frame. The counter value represents the largest amount of data in bits which can be sent or received by the HC in a single transaction at any given time without causing scheduling overrun. The field value is calculated by the HCD.

#### Bits 15:14 **Reserved**

#### Bits 13:0 **FrameInterval**

This specifies the interval between two consecutive SOFs in bit times. The nominal value is set to be 11,999.

HCD should store the current value of this field before resetting HC. By setting the **HostControllerReset** field of *HcCommandStatus* as this will cause the HC to reset this field to its nominal value. HCD may choose to restore the stored value upon the completion of the Reset sequence.

#### Register 38h *HcFmRemaining* Register

The *HcFmRemaining* register is a 14-bit down counter showing the bit time remaining in the current Frame.

#### Bit 31 **FrameRemainingToggle**

This bit is loaded from the **FrameIntervalToggle** field of *HcFmInterval* whenever **FrameRemaining** reaches 0. This bit is used by HCD for the synchronization between **FrameInterval** and **FrameRemaining**.

#### Bits 30:14 **Reserved**

#### Bits 13:0 **FrameRemaining**

This counter is decremented at each bit time. When it reaches zero, it is reset by loading the **FrameInterval** value specified in *HcFmInterval* at the next bit time boundary. When entering the USBOPERATIONAL state, HC re-loads the content with the **FrameInterval** of *HcFmInterval* and uses the updated value from the next SOF.

**Register 3Ch *HcFmNumber* Register**

The *HcFmNumber* register is a 16-bit counter. It provides a timing reference among events happening in the Host Controller and the Host Controller Driver. The Host Controller Driver may use the 16-bit value specified in this register and generate a 32-bit frame number without requiring frequent access to the register.

**Bits 31:16 Reserved**

**Bits 15:0 *FrameNumber***

This is incremented when *HcFmRemaining* is re-loaded. It will be rolled over to 0h after ffffh. When entering the USBOPERATIONAL state, this will be incremented automatically. The content will be written to HCCA after HC has incremented the **FrameNumber** at each frame boundary and sent a SOF but before HC reads the first ED in that Frame. After writing to HCCA, HC will set the **StartofFrame** in *HcInterruptStatus*.

**Register 40h *HcPeriodicStart* Register**

The *HcPeriodicStart* register has a 14-bit programmable value which determines when is the earliest time HC should start processing the periodic list.

**Bits 31:14 Reserved**

**Bits 13:0 *PeriodicStart***

After a hardware reset, this field is cleared. This is then set by HCD during the HC initialization. The value is calculated roughly as 10% off from *HcFmInterval*. A typical value will be 3E67h. When *HcFmRemaining* reaches the value specified, processing of the periodic lists will have priority over Control/Bulk processing. HC will therefore start processing the Interrupt list after completing the current Control or Bulk transaction that is in progress.

**Register 44h *HcLSThreshold* Register**

The *HcLSThreshold* register contains an 11-bit value used by the Host Controller to determine whether to commit to the transfer of a maximum of 8-byte LS packet before EOF. Neither the Host Controller nor the Host Controller Driver are allowed to change this value.

**Bits 31:12 Reserved**

**Bits 11:0 *LSThreshold***

This field contains a value which is compared to the **FrameRemaining** field prior to initiating a Low Speed transaction. The transaction is started only if **FrameRemaining**  $\geq$  this field. The value is calculated by HCD with the consideration of transmission and setup overhead.

**6.5.2.4 Root Hub Partition**

All registers included in this partition are dedicated to the USB Root Hub which is an integral part of the Host Controller though still a functionally separate entity. The HCD emulates USB accesses to the Root Hub via a register interface. The HCD maintains many USB-



defined hub features which are not required to be supported in hardware. For example, the Hub's Device, Configuration, Interface, and Endpoint Descriptors are maintained only in the HCD as well as some static fields of the Class Descriptor. The HCD also maintains and decodes the Root Hub's device address as well as other trivial operations which are better suited to software than hardware.

The Root Hub register interface is otherwise developed to maintain similarity of bit organization and operation to typical hubs which are found in the system. Below are four register definitions: *HcRhDescriptorA*, *HcRhDescriptorB*, *HcRhStatus*, and *HcRhPortStatus[1:2]*. Each register is read and written as a Dword. These registers are only written during initialization to correspond with the system implementation. The *HcRhDescriptorA* and *HcRhDescriptorB* registers should be implemented such that they are writeable regardless of the HC USB state. *HcRhStatus* and *HcRhPortStatus* must be writeable during the USBOPERATIONAL state.

#### **Register 48h *HcRhDescriptorA* Register**

The *HcRhDescriptorA* register is the first register of two describing the characteristics of the Root Hub. Reset values are implementation-specific. The descriptor length (11), descriptor type (TBD), and hub controller current (0) fields of the hub Class Descriptor are emulated by the HCD. All other fields are located in the *HcRhDescriptorA* and *HcRhDescriptorB* registers.

#### **Bits 31:24 *PowerOnToPowerGoodTime***

This byte specifies the duration HCD has to wait before accessing a powered-on port of the Root Hub. It is implementation-specific. The unit of time is 2 ms. The duration is calculated as **POTPGT** \* 2 ms.

#### **Bits 23:13 *Reserved***

#### **Bit 12 *NoOverCurrentProtection***

This bit describes how the overcurrent status for the Root Hub ports are reported. When this bit is cleared, the **OverCurrentProtectionMode** field specifies global or per-port reporting.

0: Over-current status is reported collectively for all downstream ports

1: No overcurrent protection supported

#### **Bit 11 *OverCurrentProtectionMode***

This bit describes how the overcurrent status for the Root Hub ports are reported. At reset, this fields should reflect the same mode as **PowerSwitchingMode**. This field is valid only if the **NoOverCurrentProtection** field is cleared.

0: over-current status is reported collectively for all downstream ports

1: over-current status is reported on a per-port basis

#### **Bit 10 *DeviceType***

This bit specifies that the Root Hub is not a compound device. The Root Hub is not permitted to be a compound device. This field should always read/write 0.

#### **Bit 9 *NoPowerSwitching***

These bits are used to specify whether power switching is supported or port are always powered. SiS Chip USB HC supports global power switching mode.



When this bit is cleared, the **PowerSwitchingMode** specifies global or per-port switching.

0: Ports are power switched

1: Ports are always powered on when the HC is powered on

**Bit 8 PowerSwitchingMode**

This bit is used to specify how the power switching of the Root Hub ports is controlled. SiS Chip USB HC supports global power switching mode. This field is only valid if the **NoPowerSwitching** field is cleared.

0: all ports are powered at the same time.

1: Each port is powered individually. This mode allows port power to be controlled by either the global switch or per-port switching. If the **PortPowerControlMask** bit is set, the port responds only to port power commands (**Set/ClearPortPower**). If the port mask is cleared, then the port is controlled only by the global power switch (**Set/ClearGlobalPower**).

**Bits 7:0 NumberDownstreamPorts**

These bits specify the number of downstream ports supported by the Root Hub.

SiS Chip USB HC supports two downstream ports.

**Register 4Ch HcRhDescriptorB Register**

The *HcRhDescriptorB* register is the second register of two describing the characteristics of the Root Hub. These fields are written during initialization to configure the Root Hub.

**Bits 31:16 PortPowerControlMask**

Each bit indicates if a port is affected by a global power control command when **PowerSwitchingMode** is set. When set, the port's power state is only affected by per-port power control (**Set/ClearPortPower**). When cleared, the port is controlled by the global power switch (**Set/ClearGlobalPower**). If the device is configured to global switching mode (**PowerSwitchingMode=0**), this field is not valid.

SiS Chip USB HC implements global power switching.

bit 0: Reserved

bit 1: Ganged-power mask on Port #1

bit 2: Ganged-power mask on Port #2

...

bit15: Ganged-power mask on Port #15

**Bits 15:0 DeviceRemovable**

Each bit is dedicated to a port of the Root Hub. When cleared, the attached device is removable. When set, the attached device is not removable.

bit 0: Reserved

bit 1: Device attached to Port #1

bit 2: Device attached to Port #2

...

bit15: Device attached to Port #15



**Register 50h HcRhStatus Register**

The *HcRhStatus* register is divided into two parts. The lower word of a Dword represents the Hub Status field and the upper word represents the Hub Status Change field. Reserved bits should always be written '0'.

**Bit 31 ClearRemoteWakeupEnable(write)**

Writing a '1' clears DeviceRemoveWakeupEnable. Writing a '0' has no effect.

**Bits 30:18 Reserved**

**Bit 17 OverCurrentIndicatorChange**

This bit is set by hardware when a change has occurred to the OCI field of this register. The HCD clears this bit by writing a '1'. Writing a '0' has no effect.

**Bit 16 LocalPowerStatusChange(read)**

The Root Hub does not support the local power status feature; thus, this bit is always read as '0'.

**SetGlobalPower(write)**

In global power mode (**PowerSwitchingMode=0**), This bit is written to '1' to turn on power to all ports (clear **PortPowerStatus**). In per-port power mode, it sets **PortPowerStatus** only on ports whose **PortPowerControlMask** bit is not set. Writing a '0' has no effect.

**Bit 15 DeviceRemoteWakeupEnable(read)**

This bit enables a **ConnectStatusChange** bit as a resume event, causing a USB SUSPEND to USB RESUME state transition and setting the **ResumeDetected** interrupt.

0: **ConnectStatusChange** is not a remote wakeup event.

1: **ConnectStatusChange** is a remote wakeup event.

**SetRemoteWakeupEnable(write)**

Writing a '1' sets **DeviceRemoveWakeupEnable**. Writing a '0' has no effect.

**Bits 14:2 Reserved**

**Bit 1 OverCurrentIndicator**

This bit reports overcurrent conditions when the global reporting is implemented. When set, an overcurrent condition exists. When cleared, all power operations are normal. If per-port overcurrent protection is implemented this bit is always '0'

**Bit 0 LocalPowerStatus(read)**

The Root Hub does not support the local power status feature; thus, this bit is always read as '0'.

**ClearGlobalPower(write)**

In global power mode (**PowerSwitchingMode=0**), This bit is written to '1' to turn off power to all ports (clear **PortPowerStatus**). In per-port power mode, it clears





**PortPowerStatus** only on ports whose **PortPowerControlMask** bit is not set. Writing a '0' has no effect.

### Register 54h/58h *HcRhPortStatus*[1:2] Register

The *HcRhPortStatus*[1:2] register is used to control and report port events on a per-port basis. Two *HcRhPortStatus* registers that are implemented in hardware. The lower word is used to reflect the port status, whereas the upper word reflects the status change bits. Some status bits are implemented with special write behavior (see below). If a transaction (token through handshake) is in progress when a write to change port status occurs, the resulting port status change must be postponed until the transaction completes. Reserved bits should always be written '0'.

#### Bits 31:21 Reserved

#### Bit 20 **PortResetStatusChange**

This bit is set at the end of the 10-ms port reset signal.

The HCD writes a '1' to clear this bit. Writing a '0' has no effect.

0: port reset is not complete

1: port reset is complete

#### Bit 19 **PortOverCurrentIndicatorChange**

This bit is valid only if overcurrent conditions are reported on a per-port basis. This bit is set when Root Hub changes the **PortOverCurrentIndicator** bit. The HCD writes a '1' to clear this bit. Writing a '0' has no effect.

0: no change in PortOverCurrentIndicator

1: PortOverCurrentIndicator has changed

#### Bit 18 **PortSuspendStatusChange**

This bit is set when the full resume sequence has been completed. This sequence includes the 20-s resume pulse, LS EOP, and 3-ms resynchronization delay. The HCD writes a '1' to clear this bit. Writing a '0' has no effect. This bit is also cleared when **ResetStatusChange** is set.

0: resume is not completed

1: resume completed

#### Bit 17 **PortEnableStatusChange**

This bit is set when hardware events cause the **PortEnableStatus** bit to be cleared. Changes from HCD writes do not set this bit. The HCD writes a '1' to clear this bit. Writing a '0' has no effect.

0: no change in **PortEnableStatus**

1: change in PortEnableStatus

#### Bit 16 **ConnectStatusChange**

This bit is set whenever a connect or disconnect event occurs. The HCD writes a '1' to clear this bit. Writing a '0' has no effect. If **CurrentConnectStatus** is cleared when a **SetPortReset**, **SetPortEnable**, or **SetPortSuspend** write occurs, this bit is set to force the driver to re-evaluate the connection status since these writes should not occur if the port is disconnected.

0: no change in CurrentConnectStatus



1: change in **CurrentConnectStatus**

Note: If the **DeviceRemovable[NDP]** bit is set, this bit is set only after a Root Hub reset to inform the system that the device is attached.

**Bits 15:10 Reserved**

**Bit 9 LowSpeedDeviceAttached(read)**

This bit indicates the speed of the device attached to this port. When set, a Low Speed device is attached to this port. When clear, a Full Speed device is attached to this port. This field is valid only when the **CurrentConnectStatus** is set.

0: full speed device attached

1: low speed device attached

**ClearPortPower(write)**

The HCD clears the **PortPowerStatus** bit by writing a '1' to this bit. Writing a '0' has no effect.

**Bit 8 PortPowerStatus(read)**

This bit reflects the port's power status, regardless of the type of power switching implemented. This bit is cleared if an overcurrent condition is detected. HCD sets this bit by writing **SetPortPower** or **SetGlobalPower**. HCD clears this bit by writing **ClearPortPower** or **ClearGlobalPower**. Which power control switches are enabled is determined by **PowerSwitchingMode** and **PortPortControlMask[NDP]**. In global switching mode (**PowerSwitchingMode**=0), only **Set/ClearGlobalPower** controls this bit. In per-port power switching (**PowerSwitchingMode**=1), if the **PortPowerControlMask[NDP]** bit for the port is set, only **Set/ClearPortPower** commands are enabled. If the mask is not set, only **Set/ClearGlobalPower** commands are enabled. When port power is disabled, **CurrentConnectStatus**, **PortEnableStatus**, **PortSuspendStatus**, and **PortResetStatus** should be reset.

0: port power is off

1: port power is on

**SetPortPower(write)**

The HCD writes a '1' to set the **PortPowerStatus** bit. Writing a '0' has no effect.

Note: This bit is always reads '1b' if power switching is not supported.

**Bits 7:5 Reserved**

**Bit 4 PortResetStatus(read)**

When this bit is set by a write to **SetPortReset**, port reset signaling is asserted. When reset is completed, this bit is cleared when **PortResetStatusChange** is set. This bit cannot be set if **CurrentConnectStatus** is cleared.

0: port reset signal is not active

1: port reset signal is active

**SetPortReset(write)**

The HCD sets the port reset signaling by writing a '1' to this bit. Writing a '0' has no effect. If **CurrentConnectStatus** is cleared, this write does not set





**PortResetStatus**, but instead sets **ConnectStatusChange**. This informs the driver that it attempted to reset a disconnected port.

**Bit 3 PortOverCurrentIndicator(read)**

This bit is only valid when the Root Hub is configured in such a way that overcurrent conditions are reported on a per-port basis. If per-port overcurrent reporting is not supported, this bit is set to 0. If cleared, all power operations are normal for this port. If set, an overcurrent condition exists on this port. This bit always reflects the overcurrent input signal

0: no overcurrent condition.

1: overcurrent condition detected.

**ClearSuspendStatus(write)**

The HCD writes a '1' to initiate a resume. Writing a '0' has no effect. A resume is initiated only if **PortSuspendStatus** is set.

**Bit 2 PortSuspendStatus(read)**

This bit indicates the port is suspended or in the resume sequence. It is set by a **SetSuspendState** write and cleared when **PortSuspendStatusChange** is set at the end of the resume interval. This bit cannot be set if **CurrentConnectStatus** is cleared. This bit is also cleared when **PortResetStatusChange** is set at the end of the port reset or when the HC is placed in the USBRESUME state. If an upstream resume is in progress, it should propagate to the HC.

0: port is not suspended

1: port is suspended

**SetPortSuspend(write)**

The HCD sets the **PortSuspendStatus** bit by writing a '1' to this bit. Writing a '0' has no effect. If **CurrentConnectStatus** is cleared, this write does not set **PortSuspendStatus**; instead it sets **ConnectStatusChange**. This informs the driver that it attempted to suspend a disconnected port.

**Bit 1 PortEnableStatus(read)**

This bit indicates whether the port is enabled or disabled. The Root Hub may clear this bit when an overcurrent condition, disconnect event, switched-off power, or operational bus error such as babble is detected. This change also causes **PortEnabledStatusChange** to be set. HCD sets this bit by writing **SetPortEnable** and clears it by writing **ClearPortEnable**. This bit cannot be set when **CurrentConnectStatus** is cleared. This bit is also set, if not already, at the completion of a port reset when **ResetStatusChange** is set or port suspend when **SuspendStatusChange** is set.

0: port is disabled

1: port is enabled

**SetPortEnable(write)**

The HCD sets **PortEnableStatus** by writing a '1'. Writing a '0' has no effect. If **CurrentConnectStatus** is cleared, this write does not set **PortEnableStatus**, but



instead sets **ConnectStatusChange**. This informs the driver that it attempted to enable a disconnected port.

**Bit 0 CurrentConnectStatus(read)**

This bit reflects the current state of the downstream port.

0: no device connected

1: device connected

**ClearPortEnable(write)**

The HCD writes a '1' to this bit to clear the **PortEnableStatus** bit. Writing a '0' has no effect. The **CurrentConnectStatus** is not affected by any write.

Note: This bit is always read '1b' when the attached device is nonremovable (**DeviceRemoveable[NDP]**).

### 6.5.2.5 Legacy Support Registers

Four operational registers are used to provide the legacy support . Each of these registers is located on a 32-bit boundary. The offset of these registers is relative to the base address of the Host Controller operational registers with *HceControl* located at offset 100h.

**Table 6-1**

Offset	Register	Description
100h	<i>HceControl</i>	Used to enable and control the emulation hardware and report various status information.
104h	<i>HceInput</i>	Emulation side of the legacy Input Buffer register.
108h	<i>HceOutput</i>	Emulation side of the legacy Output Buffer register where keyboard and mouse data is to be written by software.
10Ch	<i>HceStatus</i>	Emulation side of the legacy Status register.

Three of the operational registers (*HceStatus*, *HceInput*, *HceOutput*) are accessible at I/O address 60h and 64h when emulation is enabled. Reads and writes to the registers using I/O addresses have side effects as outlined in the Table 6-2.

**Table 6-2**

I/O Address	Cycle Type	Register Contents Accessed/Modified	Side Effects
60h	IN	<i>HceOutput</i>	IN from port 60h will set <b>OutputFull</b> in <i>HceStatus</i> to 0
60h	OUT	<i>HceInput</i>	OUT to port 60h will set <b>InputFull</b> to 1 and <b>CmdData</b> to 0 in <i>HceStatus</i> .
64h	IN	<i>HceStatus</i>	IN from port 64h returns current value of <i>HceStatus</i> with no other side effect.
64h	OUT	<i>HceInput</i>	OUT to port 64h will set <b>InputFull</b> to 0 and <b>CmdData</b> in <i>HceStatus</i> to 1.

**Register 100h HceControl Register****Bits 31:9 Reserved.**

and read as 0s.

**Bit 8 A20State**

Indicates current state of Gate A20 on keyboard controller. Used to compare against value to 60h when GateA20Sequence is active.

**Bit 7 IRQ12Active**

Indicates that a positive transition on IRQ12 from keyboard controller has occurred. SW may write a 1 to this bit to clear it (set it to 0). SW write of a 0 to this bit has no effect.

**Bit 6 IRQ1Active**

Indicates that a positive transition on IRQ1 from keyboard controller has occurred. SW may write a 1 to this bit to clear it (set it to 0). SW write of a 0 to this bit has no effect.

**Bit 5 GateA20Sequence**

Set by HC when a data value of D1h is written to I/O port 64h. Cleared by HC on write to I/O port 64h of any value other than D1h.

**Bit 4 ExternalIRQEn**When set to 1, IRQ1 and IRQ12 from the keyboard controller causes an emulation interrupt. The function controlled by this bit is independent of the setting of the **EmulationEnable** bit in this register.**Bit 3 IRQEn**When set, the HC generates IRQ1 or IRQ12 as long as the **OutputFull** bit in *HceStatus* is set to 1. If the **AuxOutputFull** bit of *HceStatus* is 0, then IRQ1 is generated; if it is 1, then an IRQ12 is generated.**Bit 2 CharacterPending**When set, an emulation interrupt is generated when the **OutputFull** bit of the *HceStatus* register is set to 0.**Bit 1 EmulationInterrupt**

This bit is a static decode of the emulation interrupt condition.

**Bit 0 EmulationEnable**

When set to 1, the HC is enabled for legacy emulation. The HC decodes accesses to I/O registers 60h and 64h and generates IRQ1 and/or IRQ12 when appropriate. Additionally, the HC generate s an emulation interrupt at appropriate times to invoke the emulation software.

**Register 104h HceInput Register****Bits 31:8 Reserved****Bits 7:0 InputData**

This register holds data that is written to I/O ports 60h and 64h.

I/O data that is written to ports 60h and 64h is captured in this register when emulation is enabled. This register may be read or written directly by accessing it with its memory address in the Host Controller's operational register space. When



accessed directly with a memory cycle, reads and writes of this register have no side effects.

### Register 108h *HceOutput* Register

**Bits 31:8** **Reserved**

**Bits 7:0** **OutputData**

This register hosts data that is returned when an I/O read of port 60h is performed by application software.

The data placed in this register by the emulation software is returned when I/O port 60h is read and emulation is enabled. On a read of this location, the **OutputFull** bit in *HceStatus* is set to 0.

### Register 10Ch *HceStatus* Register

**Bits 31:8** **Reserved**

**Bit 7** **Parity**

Indicates parity error on keyboard/mouse data.

**Bit 6** **Time-out**

Used to indicate a time-out

**Bit 5** **AuxOutputFull**

IRQ12 is asserted whenever this bit is set to 1 and **OutputFull** is set to 1 and the **IRQEn** bit is set.

**Bit 4** **Inhibit Switch**

This bit reflects the state of the keyboard inhibit switch and is set if the keyboard is NOT inhibited.

**Bit 3** **CmdData**

The HC sets this bit to 0 on an I/O write to port 60h and to 1 on an I/O write to port 64h.

**Bit 2** **Flag**

Nominally used as a system flag by software to indicate a warm or cold boot.

**Bit 1** **InputFull**

Except for the case of a Gate A20 sequence, this bit is set to 1 on an I/O write to address 60h or 64h. While this bit is set to 1 and emulation is enabled, an emulation interrupt condition exists.

**Bit 0** **OutputFull**

The HC sets this bit to 0 on a read of I/O port 60h. If **IRQEn** is set and **AuxOutputFull** is set to 0, then an IRQ1 is generated as long as this bit is set to 1. If **IRQEn** is set and **AuxOutputFull** is set to 1, then an IRQ12 is generated as long as this bit is set to 1. While this bit is 0 and **CharacterPending** in *HceControl* is set to 1, an emulation interrupt condition exists.

The contents of the *HceStatus* Register are returned on an I/O Read of port 64h when emulation is enabled. Reads and writes of port 60h and writes to port 64h can cause changes in this register. Emulation software can directly access this



register through its memory address in the Host Controller's operational register space. Accessing this register through its memory address produces no side effects.



## 6.6 VGA Register Description

Device	IDSEL	Function Number
VGA	AD30 or AD31	0000b

Note: MD34 pull high if IDSEL is AD30, MD34 pull low if IDSEL is AD31.

### 6.6.1 General Registers

#### Miscellaneous Output Register

Register Type: Read/Write

Read Port: 3CC

Write Port: 3C2

Default: 00h

- D7 Vertical Sync Polarity  
 0: Select 'positive vertical sync'  
 1: Select 'negative vertical sync'
- D6 Horizontal Sync Polarity  
 0: Select 'positive horizontal sync'  
 1: Select 'negative horizontal sync'

#### Sync Polarity vs. Vertical Screen Resolution

D7	D6	EGA	VGA
0	0	200 Lines	Invalid
0	1	350 Lines	400 Lines
1	0	Invalid	350 Lines
1	1	Invalid	480 Lines

- D5 Odd/Even Page  
 0: Select low page of memory  
 1: Select high page of memory
- D4 Reserved
- D[3:2] Clock Select

#### Table for Video Clock Selection

D3	D2	DCLK
0	0	25.175 MHz
0	1	28.322 MHz
1	0	Don't Care
1	1	Select internal clock generator

- D1 Display RAM Enable  
 0: Disable processor access to video RAM  
 1: Enable processor access to video RAM
- D0 I/O Address Select  
 0: Sets addresses for monochrome emulation  
 1: Sets addresses for color graphics emulation

**Feature Control Register**

Register Type: Read/Write

Read Port: 3CA

Write Port: 3BA/3DA

Default: 00h

D[7:4] Reserved (0)

D3 Vertical Sync Select

0: Normal Vertical Sync output to monitor

1: [Vertical Sync OR Vertical Display Enable] output to monitor

D[2:0] Reserved (0)

**Input Status Register 0**

Register Type: Read only

Read Port: 3C2

Default: 00h

D7 Vertical Retrace Interrupt Pending

0: Cleared

1: Pending

D[6:5] Reserved

D4 Switch Sense

D[3:0] Reserved

**Input Status Register 1**

Register Type: Read only

Read Port: 3BA/3DA

Default: 00h

D[7:6] Reserved

D[5:4] Diagnostic

**Table for Video Read-back Through Diagnostic Bit (I)**

Color Plane Enable Register		Input Status Register 1	
D5	D4	D5	D4
0	0	Red	Blue
0	1	Secondary Red	Secondary Green
1	0	Secondary Blue	Green
1	1	Unused	Unused

**Table for Video Read-back Through Diagnostic Bit (II)**

Color Plane Enable Register		Input Status Register 1	
D5	D4	D5	D4
0	0	P2	P0
0	1	P5	P4
1	0	P3	P1
1	1	P7	P6

D3 Vertical Retrace



0: Inactive  
1: Active  
D[2:1] Reserved  
D0 Display Enable Not  
0: Display period  
1: Retrace period

### VGA Enable Register

Register Type: Read/Write  
Read/Write Port: 3C3 or 46E8  
Default: 00h  
D0 VGA Enable (for 3C3 only)  
0: Disable  
1: Enable  
D3 VGA Enable (for 46E8 only)  
0: Disable  
1: Enable

### Segment Selection Register 0

Register Type: Read/Write  
Read/Write Port: 3CD  
Default: 00h  
If D3 of SRB (Dual Segment Mode Enable bit) sets to 1, then  
D[7:6] Reserved  
D[5:0] Segment Selection Write Bit[5:0]  
If D3 of SRB (Dual Segment Mode Enable bit) sets to 0, then  
D[7:4] Segment Selection Write Bits[3:0]  
D[3:0] Segment Selection Read Bits[3:0]

### Segment Selection Register 1

Register Type: Read/Write  
Read/Write Port: 3CB  
Default: 00h  
If D3 of SRB (Dual Segment Mode Enable bit) sets to 1, then  
D[7:6] Reserved  
D[5:0] Segment Selection Read Bit[5:0]  
If D3 of SRB (Dual Segment Mode Enable bit) sets to 0, then  
D[7:0] Reserved

## 6.6.2 CRT Controller Registers

### CRT Controller Index Register

Register Type: Read/Write  
Read/Write Port: 3B4/3D4





Default: 00h  
D[7:5] Reserved  
D[4:0] CRT Controller Index  
- 00h ~ 18h for standard VGA  
- 19h ~ 26h for SiS extended registers

Index (3B4/3D4)	CRT Controller Registers (3B5/3D5)
0h	Horizontal Total
1h	Horizontal Display Enable End
2h	Horizontal Blank Start
3h	Horizontal Blank End
4h	Horizontal Retrace Start
5h	Horizontal Retrace End
6h	Vertical Total
7h	Overflow Register
8h	Preset Row Scan
9h	Max Scan Line/Text Character Height
Ah	Text Cursor Start
Bh	Text Cursor End
Ch	Screen Start Address High
Dh	Screen Start Address Low
Eh	Text Cursor Location High
Fh	Text Cursor Location Low
10h	Vertical Retrace Start
11h	Vertical Retrace End
12h	Vertical Display Enable End
13h	Screen Offset
14h	Underline Location
15h	Vertical Blank Start
16h	Vertical Blank End
17h	Mode Control
18h	Line Compare
19h	Extended Signature Read-Back Register 0
1Ah	Extended Signature Read-Back Register 1
1Bh	CRT horizontal counter read back
1Ch	CRT vertical counter read back
1Dh	CRT overflow counter read back
1Eh	Extended Signature Read-Back Register 2
22h	Graphics Data Latch Readback Register
24h	Attribute Controller Toggle Readback Register
26h	Attribute Controller Index Readback Register

**CR0: Horizontal Total**

Register Type: Read/Write  
Read/Write Port: 3B5/3D5, Index 00h



Default: 00h  
D[7:0] Horizontal Total Bit[7:0]

**CR1: Horizontal Display Enable End**

Register Type: Read/Write  
Read/Write Port: 3B5/3D5, Index 01h  
Default: 00h  
D[7:0] Horizontal Display Enable End Bit[7:0]

**CR2: Horizontal Blank Start**

Register Type: Read/Write  
Read/Write Port: 3B5/3D5, Index 02h  
Default: 00h  
D[7:0] Horizontal Blank Start Bit[7:0]

**CR3: Horizontal Blank End**

Register Type: Read/Write  
Read/Write Port: 3B5/3D5, Index 03h  
Default: 00h  
D7 Reserved  
D[6:5] Display Skew Control Bit[1:0]  
00: No skew  
01: Skew 1 character  
10: Skew 2 characters  
11: Skew 3 characters  
D[4:0] Horizontal Blank End Bit[4:0]

**CR4: Horizontal Retrace Start**

Register Type: Read/Write  
Read/Write Port: 3B5/3D5, Index 04h  
Default: 00h  
D[7:0] Horizontal Retrace Start Bit[7:0]

**CR5: Horizontal Retrace End**

Register Type: Read/Write  
Read/Write Port: 3B5/3D5, Index 05h  
Default: 00h  
D7 Horizontal Blank End Bit[5]  
D[6:5] Horizontal Retrace Delay Bit[1:0]  
00: Skew 0 character clock  
01: Skew 1 character clock



10: Skew 2 character clocks  
11: Skew 3 character clocks  
D[4:0] Horizontal Retrace End Bit[4:0]

**CR6: Vertical Total**

Register Type: Read/Write  
Read/Write Port: 3B5/3D5, Index 06h  
Default: 00h  
D[7:0] Vertical Total Bit[7:0]

**CR7: Overflow Register**

Register Type: Read/Write  
Read/Write Port: 3B5/3D5, Index 07h  
Default: 00h  
D7 Vertical Retrace Start Bit[9]  
D6 Vertical Display Enable End Bit[9]  
D5 Vertical Total Bit[9]  
D4 Line Compare Bit[8]  
D3 Vertical Blank Start Bit[8]  
D2 Vertical Retrace Start Bit[8]  
D1 Vertical Display Enable End Bit[8]  
D0 Vertical Total Bit[8]

**CR8: Preset Row Scan**

Register Type: Read/Write  
Read/Write Port: 3B5/3D5, Index 08h  
Default: 00h  
D7 Reserved  
D[6:5] Byte Panning Control Bit[1:0]  
D[4:0] Preset Row Scan Bit[4:0]

**CR9: Maximum Scan Line/Text Character Height**

Register Type: Read/Write  
Read/Write Port: 3B5/3D5, Index 09h  
Default: 00h  
D7 Double Scan  
0: Disable  
1: Enable 400 lines display  
D6 Line Compare Bit[9]  
D5 Vertical Blank Start Bit[9]  
D[4:0] Character Cell Height Bit[4:0]

**CRA: Text Cursor Start**



Register Type: Read/Write  
Read/Write Port: 3B5/3D5, Index 0Ah  
Default: 00h  
D[7:6] Reserved  
D5 Text Cursor Off  
0: Text Cursor On  
1: Text Cursor Off  
D[4:0] Text Cursor Start Bit[4:0]

**CRB: Text Cursor End**

Register Type: Read/Write  
Read/Write Port: 3B5/3D5, Index 0Bh  
Default: 00h  
D7 Reserved  
D[6:5] Text Cursor Skew  
00: No skew  
01: Skew one character clock  
10: Skew two character clocks  
11: Skew three character clocks  
D[4:0] Text Cursor End Bit[4:0]

**CRC: Screen Start Address High**

Register Type: Read/Write  
Read/Write Port: 3B5/3D5, Index 0Ch  
Default: 00h  
D[7:0] Screen Start Address Bit[15:8]

**CRD: Screen Start Address Low**

Register Type: Read/Write  
Read/Write Port: 3B5/3D5, Index 0Dh  
Default: 00h  
D[7:0] Screen Start Address Bit[7:0]

**CRE: Text Cursor Location High**

Register Type: Read/Write  
Read/Write Port: 3B5/3D5, Index 0Eh  
Default: 00h  
D[7:0] Text Cursor Location Bit[15:8]

**CRF: Text Cursor Location Low**

Register Type: Read/Write  
Read/Write Port: 3B5/3D5, Index 0Fh



Default: 00h  
D[7:0] Text Cursor Location Bit[7:0]

**CR10: Vertical Retrace Start**

Register Type: Read/Write  
Read/Write Port: 3B5/3D5, Index 10h  
Default: 00h  
D[7:0] Vertical Retrace Start Bit[7:0]

**CR11: Vertical Retrace End**

Register Type: Read/Write  
Read/Write Port: 3B5/3D5, Index 11h  
Default: 00h

D7 Write Protect for CR0 to CR7  
0: Disable Write Protect  
1: Enable Write Protect

D6 Alternate Refresh Rate  
0: Selects three refresh cycles per scanline  
1: Selects five refresh cycles per scanline

D5 Vertical Interrupt Enable  
0: Enable  
1: Disable

D4 Vertical Interrupt Clear  
0: Clear  
1: Not Clear

D[3:0] Vertical Retrace End Bit[3:0]

**CR12: Vertical Display Enable End**

Register Type: Read/Write  
Read/Write Port: 3B5/3D5, Index 12h  
Default: 00h  
D[7:0] Vertical Display Enable End Bit[7:0]

**CR13: Screen Offset**

Register Type: Read/Write  
Read/Write Port: 3B5/3D5, Index 13h  
Default: 00h  
D[7:0] Screen Offset Bit[7:0]

**CR14: Underline Location Register**

Register Type: Read/Write



Read/Write Port: 3B5/3D5, Index 14h  
Default: 00h

D7 Reserved  
D6 Doubleword Mode Enable  
0: Disable  
1: Enable  
D5 Count by 4  
0: Disable  
1: Enable  
D[4:0] Underline Location Bit[4:0]

**CR15: Vertical Blank Start**

Register Type: Read/Write  
Read/Write Port: 3B5/3D5, Index 15h  
Default: 00h

D[7:0] Vertical Blank Start Bit[7:0]

**CR16: Vertical Blank End**

Register Type: Read/Write  
Read/Write Port: 3B5/3D5, Index 16h  
Default: 00h

D[7:0] Vertical Blank End Bit[7:0]

**CR17: Mode Control Register**

Register Type: Read/Write  
Read/Write Port: 3B5/3D5, Index 17h  
Default: 00h

D7 Hardware Reset  
0: Disable horizontal and vertical retrace outputs  
1: Enable horizontal and vertical retrace outputs  
D6 Word/Byte Address Mode  
0: Set the memory address mode to word  
1: Set the memory address mode to byte  
D5 Address Wrap  
0: Disable the full 256K of memory  
1: Enable the full 256K of memory  
D4 Reserved  
D3 Count by Two  
0: Byte refresh  
1: Word refresh  
D2 Horizontal Retrace Select  
0: Normal  
1: Double Scan  
D1 RA1 replace MA14



D0            0: Enable  
              1: Disable  
              RA0 replace MA13  
              0: Enable  
              1: Disable

**CR18: Line Compare Register**

Register Type:    Read/Write  
Read/Write Port: 3B5/3D5, Index 18h  
Default:            00h  
D[7:0]            Line Compare Bit[7:0]

**CR19: Extended Signature Read-Back Register 0**

Register Type:    Read Only  
Read/Write Port: 3B5/3D5, Index 19h  
Default:            00h  
D[7:0]            Signature read-back bit[7:0]

**CR1A: Extended Signature Read-Back Register 1**

Register Type:    Read Only  
Read/Write Port: 3B5/3D5, Index 1Ah  
Default:            00h  
D[7:0]            Signature read-back bit[15:8]

**CR1B: CRT horizontal counter read back**

Register Type:    Read Only  
Read/Write Port: 3B5/3D5, Index 1Bh  
Default:            00h  
D[7:0]            CRT horizontal counter bit[7:0]

The horizontal counter value will be latched when read register CR1B. So the overflow bit of horizontal counter bit 8 in register CR1D - D4 should be read after read CR1B.

**CR1C: CRT vertical counter read back**

Register Type:    Read Only  
Read/Write Port: 3B5/3D5, Index 1Ch  
Default:            00h  
D[7:0]            CRT vertical counter bit[7:0]

The vertical counter value will be latched when read register CR1C. So the overflow bit of horizontal counter bit [10:8] in register CR1D - D[2:0] should be read after read CR1C.



**CR1D: CRT overflow counter read back**

Register Type: Read Only  
Read/Write Port: 3B5/3D5, Index 1Dh  
Default: 00h

D[7:5] Reserved  
D4 CRT horizontal counter bit8  
D3 Reserved  
D[2:0] CRT vertical counter bit[10:8]

**CR1E: Extended Signature Read-Back Register 2**

Register Type: Read Only  
Read/Write Port: 3B5/3D5, Index 1Eh  
Default: 00h

D[7:0] Signature read-back bit[23:16]

**CR22: Graphics Data Latch Readback Register**

Register Type: Read Only  
Read/Write Port: 3B5/3D5, Index 22h

D[7:0] Graphics Data Latch bit[7:0]

**CR24: Attribute Controller Toggle Readback Register**

Register Type: Read Only  
Read/Write Port: 3B5/3D5, Index 24h

D7 Attribute Controller Toggle  
D[6:0] Reserved

**CR26: Attribute Controller Index Readback Register**

Register Type: Read Only  
Read/Write Port: 3B5/3D5, Index 26h

D[7:6] Reserved  
D5 Video Enable  
D[4:0] Attribute Controller Index bit[8:4]

**6.6.3 Sequencer Registers**

**Sequencer Index Register**

Register Type: Read/Write  
Read/Write Port: 3C4





Default: 00h  
D[7:6] Reserved  
D[5:0] Sequencer Index Bit[5:0]

**Table of Sequencer Registers**

Index (3C4)	Sequencer Register (3C5)
00	Reset Register
01	Clock Mode
02	Color Plane Write Enable
03	Character Generator Select
04	Memory Mode

**SR0: Reset Register**

Register Type: Read/Write  
Read/Write Port: 3C5, Index 00h  
Default: 00h  
D[7:2] Reserved  
D1 Synchronous reset  
0: Reset  
1: Normal  
D0 Asynchronous reset  
0: Reset  
1: Normal

**SR1: Clock Mode Register**

Register Type: Read/Write  
Read/Write Port: 3C5, Index 01h  
Default: 00h  
D[7:6] Reserved  
D5 Screen Off  
0: Display On  
1: Display Off  
D4 Shifter Load 32 enable  
0: Disable  
1: Data shifter loaded every 4th Character Clock  
D3 Dot Clock Divide by 2 enable  
0: Disable  
1: Video Clock is divided by 2 to generate Dot Clock  
D2 Shifter Load 16 (while D4=0)  
0: Disable  
1: Data shifter loaded every 2nd Character Clock  
D1 Reserved  
D0 8/9 Dot Clock  
0: Dot Clock is divided by 9 to generate Character Clock  
1: Dot Clock is divided by 8 to generate Character Clock

**SR2: Color Plane Write Enable Register**

Register Type: Read/Write  
Read/Write Port: 3C5, Index 02h  
Default: 00h

D[7:4] Reserved  
D3 Plane 3 write enable  
0: Disable  
1: Enable  
D2 Plane 2 write enable  
0: Disable  
1: Enable  
D1 Plane 1 write enable  
0: Disable  
1: Enable  
D0 Plane 0 write enable  
0: Disable  
1: Enable

**SR3: Character Generator Select Register**

Register Type: Read/Write  
Read/Write Port: 3C5, Index 03h  
Default: 00h

D[7:6] Reserved  
D5 Character generator table B select Bit[2]  
D4 Character generator table A select Bit[2]  
D[3:2] Character generator table B select Bit[1:0]  
D[1:0] Character generator table A select Bit[1:0]

**Table 6-3 Table of Selecting Active Character Generator**

D5	D3	D2	Used when text attribute bit 3 is 1
D4	D1	D0	Used when text attribute bit 3 is 0
0	0	0	Character Table 1
0	0	1	Character Table 2
0	1	0	Character Table 3
0	1	1	Character Table 4
1	0	0	Character Table 5 (VGA only)
1	0	1	Character Table 6 (VGA only)
1	1	0	Character Table 7 (VGA only)
1	1	1	Character Table 8 (VGA only)

**SR4: Memory Mode Register**

Register Type: Read/Write  
Read/Write Port: 3C5, Index 04h



Default:	00h
D[7:4]	Reserved
D3	Chain-4 Mode enable
	0: Disable
	1: Enable
D2	Odd/Even Mode enable
	0: Enable
	1: Disable
D1	Extended Memory
	0: Select 64K
	1: Select 256K
D0	Reserved

## 6.6.4 Graphics Controller Registers

### Graphics Controller Index Register

Register Type:	Read/Write
Read/Write Port:	3CE
Default:	00h
D[7:4]	Reserved
D[3:0]	Graphics Controller Index Bit[3:0]

Index (3CE)	Graphics Controller Register (3CF)
00	Set/Reset Register
01	Set/Reset Enable Register
02	Color Compare Register
03	Data Rotate & Function Select
04	Read Plane Select Register
05	Mode Register
06	Miscellaneous Register
07	Color Don't Care Register
08	Bit Mask Register

### GR0: Set/Reset Register

Register Type:	Read/Write
Read/Write Port:	3CF, Index 00h
Default:	00h
D[7:4]	Reserved
D3	Set/Reset Map for plane 3
D2	Set/Reset Map for plane 2
D1	Set/Reset Map for plane 1
D0	Set/Reset Map for plane 0

### GR1: Set/Reset Enable Register



Register Type: Read/Write  
 Read/Write Port: 3CF, Index 01h  
 Default: 00h

D[7:4] Reserved  
 D3 Enable Set/Reset for plane 3  
 0: Disable  
 1: Enable  
 D2 Enable Set/Reset for plane 2  
 0: Disable  
 1: Enable  
 D1 Enable Set/Reset for plane 1  
 0: Disable  
 1: Enable  
 D0 Enable Set/Reset for plane 0  
 0: Disable  
 1: Enable

**GR2: Color Compare Register**

Register Type: Read/Write  
 Read/Write Port: 3CF, Index 02h  
 Default: 00h

D[7:4] Reserved  
 D3 Color Compare Map for plane 3  
 D2 Color Compare Map for plane 2  
 D1 Color Compare Map for plane 1  
 D0 Color Compare Map for plane 0

**GR3: Data Rotate/Function Select Register**

Register Type: Read/Write  
 Read/Write Port: 3CF, Index 03h  
 Default: 00h

D[7:5] Reserved  
 D[4:3] Function Select

**Table of Function Select**

D4	D3	Function
0	0	write data unmodified
0	1	write data AND processor latches
1	0	write data OR processor latches
1	1	write data XOR processor latches

D[2:0] Rotate Count

**Table of Rotate Count**

D2	D1	D0	Right Rotation
----	----	----	----------------



0	0	0	none
0	0	1	1 bits
0	1	0	2 bits
0	1	1	3 bits
1	0	0	4 bits
1	0	1	5 bits
1	1	0	6 bits
1	1	1	7 bits

**GR4: Read Plane Select Register**

Register Type: Read/Write  
 Read/Write Port: 3CF, Index 04h  
 Default: 00h

D[7:2] Reserved  
 D[1:0] Read Plane Select bit 1, 0  
 00: Plane 0  
 01: Plane 1  
 10: Plane 2  
 11: Plane 3

**GR5: Mode Register**

Register Type: Read/Write  
 Read/Write Port: 3CF, Index 05h  
 Default: 00h

D7 Reserved  
 D6 256-color Mode  
 0: Disable  
 1: Enable  
 D5 Shift Register Mode  
 0: Configure shift register to be EGA compatible  
 1: Configure shift register to be CGA compatible  
 D4 Odd/Even Addressing Mode enable  
 0: Disable  
 1: Enable  
 D3 Read Mode  
 0: Map Select Read  
 1: Color Compare Read  
 D2 Reserved  
 D[1:0] Write mode

**Table for Write Mode**

D1	D0	Mode Selected
0	0	<i>Write Mode 0: Direct processor write (Data Rotate, Set/Reset may apply).</i>
0	1	<i>Write Mode 1: Use content of latches as write data.</i>



1	0	<i>Write Mode 2:</i> Color Plane n(0-3) is filled with the value of bit m in the processor write data.
1	1	<i>Write Mode 3:</i> Color Plane n(0-3) is filled with 8 bits of the color value contained in the Set/Reset Register for that plane. The Enable Set/Reset Register is not effective. Processor data will be AND with Bit Mask Register content to form new bit mask pattern. (data rotate may apply)

**GR6: Miscellaneous Register**

Register Type: Read/Write  
 Read/Write Port: 3CF, Index 06h  
 Default: 00h

D[7:4] Reserved  
 D[3:2] Memory Address Select

**Table of Memory Address Select**

D3	D2	Address range
0	0	A0000 to BFFFF
0	1	A0000 to AFFFF
1	0	B0000 to B7FFF
1	1	B8000 to BFFFF

D1 Chain Odd And Even Maps  
 0: Disable  
 1: Enable  
 D0 Graphics Mode Enable  
 0: Select alphanumeric mode  
 1: Select graphics mode

**GR7: Color Don't Care Register**

Register Type: Read/Write  
 Read/Write Port: 3CF, Index 07h  
 Default: 00h

D[7:4] Reserved  
 D3 Plane 3 Don't Care  
 0: Disable color comparison  
 1: Enable color comparison  
 D2 Plane 2 Don't Care  
 0: Disable color comparison  
 1: Enable color comparison  
 D1 Plane 1 Don't Care  
 0: Disable color comparison  
 1: Enable color comparison  
 D0 Plane 0 Don't Care  
 0: Disable color comparison  
 1: Enable color comparison

**GR8: Bit Mask Register**

Register Type: Read/Write  
 Read/Write Port: 3CF, Index 08h  
 Default: 00h  
 D[7:0] Bit Mask Enable Bit[7:0]

**6.6.5 Attribute Controller and Video DAC Registers****Attribute Controller Index Register**

Register Type: Read/Write  
 Read Port: 3C0  
 Write Port: 3C0  
 Default: 00h  
 D[7:6] Reserved  
 D5 Palette Address Source  
 0: From CPU  
 1: From CRT  
 D[4:0] Attribute Controller Index Bit[4:0] (00h-14h)

Index (3C0)	Attribute Controller Register (3C0)
00h	Color Palette Register 0
01h	Color Palette Register 1
02h	Color Palette Register 2
03h	Color Palette Register 3
04h	Color Palette Register 4
05h	Color Palette Register 5
06h	Color Palette Register 6
07h	Color Palette Register 7
08h	Color Palette Register 8
09h	Color Palette Register 9
0Ah	Color Palette Register 10
0Bh	Color Palette Register 11
0Ch	Color Palette Register 12
0Dh	Color Palette Register 13
0Eh	Color Palette Register 14
0Fh	Color Palette Register 15
10h	Mode Control Register
11h	Screen Border Color
12h	Color Plane Enable Register
13h	Pixel Panning Register
14h	Color Select Register (VGA)

**AR0~ARF: Palette Registers**

Register Type: Read/Write



Read Port: 3C1, Index 00h ~ 0Fh  
Write Port: 3C0, Index 00h ~ 0Fh  
Default: 00h  
D[7:6] Reserved  
D[5:0] Palette Entries

**AR10: Mode Control Register**

Register Type: Read/Write  
Read Port: 3C1, Index 10h  
Write Port: 3C0, Index 10h  
Default: 00h

D7 P4, P5 Source Select  
0: AR0-F Bit[5:4] are used as the source for the Lookup Table Address Bit[5:4]  
1: AR14 Bit[1:0] are used as the source for the Lookup Table Address Bit[5:4]

D6 Pixel Double Clock Select  
0: The pixels are clocked at every clock cycle  
1: The pixels are clocked at every other clock cycle

D5 PEL Panning Compatibility with Line Compare  
0: Disable  
1: Enable

D4 Reserved

D3 Background Intensity or Blink enable (while the Character Attribute D7=1)  
0: Background Intensity attribute enable  
1: Background Blink attribute enable

D2 Line Graphics enable  
0: The ninth bit of nine-bit-wide character cell will be the same as the background.  
1: The ninth bit of nine-bit-wide character cell will be made be the same as the eighth bit for character codes in the range C0h through DFh.

D1 Display Type  
0: The contents of the Attribute byte are treated as color attribute.  
1: The contents of the Attribute byte are treated as MDA-compatible attribute.

D0 Graphics/Text Mode  
0: The Attribute Controller will function in text mode.  
1: The Attribute Controller will function in graphics mode.

**AR11: Screen Border Color**

Register Type: Read/Write  
Read Port: 3C1, Index 11h  
Write Port: 3C0, Index 11h  
Default: 00h  
D[7:6] Reserved





D[5:0] Palette Entry

**AR12: Color Plane Enable Register**

Register Type: Read/Write

Read Port: 3C1, Index 12h

Write Port: 3C0, Index 12h

Default: 00h

D[7:6] Reserved

D[5:4] Display Status MUX Bit[1:0]

These bits select two of the eight bits color outputs to be available in the status register. The output color combinations available on the status bits are as follows:

**Table for Video Read-back Through Diagnostic Bit (I)**

Color Plane Enable Register		Input Status Register 1 (Refer to 0 on page 239)	
D5	D4	D5	D4
0	0	Red	Blue
0	1	Secondary Red	Secondary Green
1	0	Secondary Blue	Green
1	1	Unused	Unused

**Table for Video Read-back Through Diagnostic Bit (II)**

Color Plane Enable Register		Input Status Register 1 (Refer to 0 on page 239)	
D5	D4	D5	D4
0	0	P2	P0
0	1	P5	P4
1	0	P3	P1
1	1	P7	P6

D[3:0] Enable Color Plane Bit[3:0]

**AR13: Pixel Panning Register**

Register Type: Read/Write

Read Port: 3C1, Index 13h

Write Port: 3C0, Index 13h

Default: 00h

D[7:4] Reserved

D[3:0] Pixel Pan Bit[3:0]

This field specifies the number of pixels the display data will be shifted to the left. This field is interpreted as indicated in the following table:

D3	D2	D1	D0	Monochrome Text	VGA Mode 13	All others
0	0	0	0	8	0	0
0	0	0	1	0	Invalid	1
0	0	1	0	1	1	2
0	0	1	1	2	Invalid	3
0	1	0	0	3	2	4
0	1	0	1	4	Invalid	5



0	1	1	0	5	3	6
0	1	1	1	6	Invalid	7
1	0	0	0	7	Invalid	Invalid
1	0	0	1	Invalid	Invalid	Invalid
1	0	1	0	Invalid	Invalid	Invalid
1	0	1	1	Invalid	Invalid	Invalid
1	1	0	0	Invalid	Invalid	Invalid
1	1	0	1	Invalid	Invalid	Invalid
1	1	1	0	Invalid	Invalid	Invalid
1	1	1	1	Invalid	Invalid	Invalid

**AR14: Color Select Register**

Register Type: Read/Write

Read Port: 3C1, Index 14h

Write Port: 3C0, Index 14h

Default: 00h

D[7:4] Reserved

D[3:2] Color Bit[7:6]

These two bits are concatenated with the six bits from the Palette Register to form the address into the LUT and to drive P[7:6]

D[1:0] Color Bit[5:4]

If AR10 D7 is programmed to a '1', these two bits replace the corresponding two bits from the Palette Register to form the address into the LUT and to drive P[5:4]. If AR10 D7 is programmed to a '0', these two bits are ignored.

**6.6.6 Color Registers****DAC Status Register**

Register Type: Read Only

Read Port: 3C7

Default: 00h

D[7:2] Reserved

D[1:0] DAC State Bit[1:0]

00: Write Operation in progress

11: Read Operation in progress

**DAC Index Register (Read Mode)**

Register Type: Write Only

Write Port: 3C7

Default: 00h

D[7:0] DAC Index Bit[7:0]

**DAC Index Register (Write Mode)**

Register Type: Read/Write



Read/Write Port: 3C8  
Default: 00h  
D[7:0] DAC Index Bit[7:0]

### DAC Data Register

Register Type: Read/Write  
Read/Write Port: 3C9  
Default: 00h

**When SR7 D3=0**

D[7:6] Reserved  
D[5:0] DAC Data [5:0]

Before writing to this register, 3C8h is written with the DAC index. Then three values, corresponding to the Red, Green, and Blue values for the DAC entry are written. After the third value is written, the values are transferred to the LUT and the DAC index is incremented in case new values for the next DAC index are to be written.

Before reading from this register, 3C7h is written with the DAC index. Then three values, corresponding to the Red, Green, and Blue value for the DAC entry may be read from this DAC index. After the third value is read, the DAC index is incremented in case the value for the next DAC index to be read.

**When SR7 D3=1**

D[7:0] DAC Data[7:0]

**When SR7 D3=1, the 24-bit LUT is enabled. This LUT can translate the R, G, B values into new R, G, B values independently. This LUT can be used for performing GAMMA correction function. The programming procedure is same as old LUT when SR7 D3=0.**

### PEL Mask Register

Register Type: Read/Write  
Read/Write Port: 3C6  
Default: 00h  
D[7:0] Pixel Mask Bit[7:0]

This field is the Pixel Mask for the palette DAC. If a bit in this field is programmed to a '0', the corresponding bit in the pixel data will be ignored in looking up an entry in the LUT.

## 6.6.7 Integrated VGA Extended Registers

### Extended Index Register

Register Type: Read/Write  
Read/Write Port: 3C4  
Default: 00h  
D[7:6] Reserved  
D[5:0] Extended Register Index Bit[5:0] (05h ~ 37h)



<b>Index (3C4)</b>	<b>Extended Enhanced Register (3C5)</b>
05h	Extended Password/Identification Register
06h	Extended Graphics Mode Control Register
07h	Extended Misc. Control Register 0
08h	Extended CRT/CPU Threshold Control Register 0
09h	Extended CRT/CPU Threshold Control Register 1
0Ah	Extended CRT Overflow Register
0Bh	Extended Misc. Control Register 1
0Ch	Extended Misc. Control Register 2
0Dh	Extended Configuration Status 0
0Eh	Extended Configuration Status 1
0Fh	Extended Scratch Register 0
10h	Extended Scratch Register 1
11h	Extended DDC and Power Control Register
12h	Extended Horizontal Overflow Register
13h	Extended Clock Gen Register
13h	Extended 25Mhz Video Clock Register 2
13h	Extended 28Mhz Video Clock Register 2
14h	Extended Hardware Cursor Color 0 Red Register
15h	Extended Hardware Cursor Color 0 Green Register
16h	Extended Hardware Cursor Color 0 Blue Register
17h	Extended Hardware Cursor Color 1 Red Register
18h	Extended Hardware Cursor Color 1 Green Register
19h	Extended Hardware Cursor Color 1 Blue Register
1Ah	Extended Hardware Cursor Horizontal Start Register 0
1Bh	Extended Hardware Cursor Horizontal Start Register 1
1Ch	Extended Hardware Cursor Horizontal Preset Register
1Dh	Extended Hardware Cursor Vertical Start Register 0
1Eh	Extended Hardware Cursor Vertical Start Register 1
1Fh	Extended Hardware Cursor Vertical Preset Register
20h	Extended Linear Addressing Base Address Register 0
21h	Extended Linear Addressing Base Address Register 1
22h	Extended Standby/Suspend Timer Register
23h	Extended Misc. Control Register 3
24h	Extended Graphics Frame Buffer Location Address Register
25h	Extended Scratch Register 2
26h	Extended Graphics Engine Register 0
27h	Extended Graphics Engine Register 1
28h	Extended Internal Memory Clock Register 0
29h	Extended Internal Memory Clock Register 1
2Ah	Extended Internal Video Clock Register 0
2Ah	Extended 25Mhz Video Clock Register 0
2Ah	Extended 28Mhz Video Clock Register 0
2Bh	Extended Internal Video Clock Register 1
2Bh	Extended 25Mhz Video Clock Register 1



2Bh	Extended 28Mhz Video Clock Register 1
2Ch	Extended Turbo Queue Base Address
2Dh	Extended Memory Start Control Register
2Eh	Extended Shared Memory Control Register
2Fh	Extended DRAM Frame Buffer Size Register
30h	Extended Fast Page Flip Starting Address Low Register
31h	Extended Fast Page Flip Starting Address Middle Register
32h	Extended Fast Page Flip Starting Address High Register
33h	Extended Misc. Control Register 4
34h	Extended Misc. Control Register 5
35h	Extended Misc. Control Register 6
36h	Extended Scratch Register 3
37h	Extended Scratch Register 4
38h	Extended Misc. Control Register 7

#### SR5: Extended Password/Identification Register

Register Type: Read/Write  
Read/Write Port: 3C5, Index 05h  
Default: 00h

D[7:0] Password/Identification Bit[7:0]  
If 86h is written into this register, then A1h will be read from this register ,  
and unlock all the extension registers.  
If the value other than 86h is written into this register, then 21h will be read  
from this register, and lock all the extension registers.

#### SR6: Extended Graphics Mode Control Register

Register Type: Read/Write  
Read/Write Port: 3C5, Index 06h  
Default: 00h

D7 Graphics mode linear addressing enable  
0: Disable  
1: Enable  
D6 Graphics mode hardware cursor display enable  
0: Disable  
1: Enable  
D5 Graphics mode interlaced enable  
0: Disable  
1: Enable  
D4 True-Color graphics mode enable  
0: Disable  
1: Enable  
D3 64K-Color graphics mode enable  
0: Disable  
1: Enable  
D2 32K-Color graphics mode enable



	0: Disable
	1: Enable
D1	Enhanced graphics mode enable
	0: Disable
	1: Enable
D0	Enhanced text mode enable
	0: Disable
	1: Enable

**SR7: Extended Misc. Control Register 0**

Register Type: Read/Write  
Read/Write Port: 3C5, Index 7h  
Default: 00h

D7	Merge Video line buffer into CRT FIFO
	0 : disable
	1 : enable
	The size of CRT FIFO can be set to 256x64 bit when merged with video line buffer only when video playback is not enabled.
D6	Disable feature connector (VIDEO 0-7, PCLK) output
	0 : enable
	1 : disable
D5	Internal RAMDAC power saving mode
	0 : low power mode
	1 : high power mode
D4	Extended video clock frequency divided by 2
	0 : disable
	1 : enable
D3	Enable Multi-line Prefetch
	0 : disable
	1 : enable
D2	24-bit color palette enable for direct color mode
	0 : disable
	1 : enable
D1	High speed DAC operation
	0 : low speed mode
	1 : high speed mode
	This bit should be set when DCLK frequency greater than 135Mhz



**D0** External DAC Reference Voltage Input  
0 : Internal DAC Reference Voltage  
1 : External DAC Reference Voltage  
To achieve more accurate reference voltage. The reference voltage of DAC can be input from external.

**SR8: Extended CRT/CPU Threshold Control Register 0**

Register Type: Read/Write  
Read/Write Port: 3C5, Index 08h  
Default: 00h  
D[7:4] CRT/CPU Arbitration Threshold Low Bit[3:0]  
D[3:0] CRT/Engine Threshold High Bit[3:0]

**SR9: Extended CRT/CPU Threshold Control Register 1**

Register Type: Read/Write  
Read/Write Port: 3C5, Index 09h  
Default: 00h  
D[7:4] ASCII/Attribute Threshold Bit[3:0]  
D[3:0] CRT/CPU Threshold High Bit[3:0]

**SRA: Extended CRT Overflow Register**

Register Type: Read/Write  
Read/Write Port: 3C5, Index 0Ah  
Default: 00h  
D[7:4] Extended Screen Offset Bit[11:8]  
D3 Extended Vertical Retrace Start Bit[10]  
D2 Extended Vertical Blank Start Bit[10]  
D1 Extended Vertical Display Enable End Bit[10]  
D0 Extended Vertical Total Bit[10]

**SRB: Extended Misc. Control Register 1**

Register Type: Read/Write  
Read/Write Port: 3C5, Index 0Bh  
Default: 00h  
D7 True-Color Graphics mode RGB Sequence Selection  
0: Red, Green, and Blue in byte order  
1: Blue, Green, and Red in byte order  
D[6:5] Memory-mapped I/O Space Selection Bit[1:0]  
00: Disable  
01: Select Axxxxh as Memory-mapped I/O Space  
10: Select Bxxxxh as Memory-mapped I/O Space  
11: Select PCI config register 14H as Memory-mapped I/O space



D4	True-Color frame rate modulation enable 0: Disable 1: Enable
D3	Dual segment register mode enable 0: Disable 1: Enable
D2	I/O gating enable while write-buffer is not empty 0: Disable 1: Enable
D1	16-color packed pixel enable 0: Disable 1: Enable
D0	CPU-driven BITBLT operation enable 0: Disable 1: Enable

**SRC: Extended Misc. Control Register 2**

Register Type: Read/Write  
Read/Write Port: 3C5, Index 0Ch  
Default: 00h

D7	Graphics mode 32-bit memory access enable 0: Disable 1: Enable
D6	Text mode 16-bit memory access enable 0: Disable 1: Enable
D5	Read-ahead cache operation enable 0: Disable 1: Enable
D4	Reserved
D3	Test mode enable 0: Disable 1: Enable
D[2:1]	Memory Configuration Bit[1:0] 00: 1Mbyte/32 bits transaction 01: 2Mbyte/64 bits transaction 10: 4Mbyte/32 or 64 bits transaction 11: Reserved
D0	Synchronous reset timing generator enable 0: Disable 1: Enable

**SRD: Extended Configuration Status 0**

Register Type: Read Only  
Read Port: 3C5, Index 0Dh  
Default: 00h





D7	Reserved
D6	Clock Generator Selection 0: Select external clock generator (used for SiS internal test only) 1: Select internal clock generator when MD22 is pulled up with resistor
D[5:2]	Reserved
D1	Video subsystem enable/disable at power-on is 0: Controlled by System BIOS 1: Forced to disable when MD17 is pulled up with resistor.
D0	Select I/O address 3C3h or 46E8h as video subsystem port 0: Select 3C3h 1: Select 46E8h when MD16 is pulled up with resistor.

**SRE: Extended Configuration Status 1**

Register Type:	Read Only
Read Port:	3C5, Index 0Eh
Default:	00h
D[7:4]	Reserved
D3	INTA# Selection 0: Disable 1: Enable when MD27 is pulled up with resistor
D[2:0]	Reserved

**SRF: Extended Scratch Register 0**

Register Type:	Read/Write
Read/Write Port:	3C5, Index 0Fh
Default:	00h
D[7:0]	Reserved for video BIOS

**SR10: Extended Scratch Register 1**

Register Type:	Read/Write
Read/Write Port:	3C5, Index 10h
Default:	00h
D[7:0]	Reserved for video BIOS

**SR11: Extended DDC and Power Control Register**

Register Type:	Read/Write
Read/Write Port:	3C5, Index 11h
Default:	00h
D7	Force VGA into suspend mode 0: Disable 1: Enable
D6	Force VGA into standby mode 0: Disable



D5	1: Enable Enable video memory access as activation source 0: Disable 1: Enable
D4	Enable keyboard and hardware cursor as system activation source 0: Disable 1: Enable
D[3:2]	Reserved
D1	DDC DATA Programming While writing this bit, 0: Output '0' logic into DDC Data Signal. 1: Output '1' logic into DDC Data Signal. While reading this bit, 0: Get '0' logic from DDC Data Signal . 1: Get '1' logic from DDC Data Signal .
D0	DDC CLK Programming While writing this bit, 0: Output '0' logic into DDC Clock Signal. 1: Output '1' logic into DDC Clock Signal. While reading this bit, 0: Get '0' logic from DDC Clock Signal . 1: Get '1' logic from DDC Clock Signal .

### SR12: Extended Horizontal Overflow Register

Register Type: Read/Write

Read/Write Port: 3C5, Index 12h

Default: 00h

D[7:5]	Horizontal Retrace Skew 000 : no delay 001 : delay 1 DCLK 010 : delay 2 DCLK 011 : delay 3 DCLK 100 : delay 4 DCLK 101 : delay 5 DCLK 110 : delay 6 DCLK 111 : delay 7 DCLK
D4	Extended Horizontal Blank End Bit[6]
D3	Extended Horizontal Retrace Start Bit[8]
D2	Extended Horizontal Blank Start Bit[8]
D1	Extended Horizontal Display Enable End Bit[8]
D0	Extended Horizontal Total Bit[8]



**SR13: Extended Clock Gen. Register**

Register Type: Read/Write  
Read/Write Port: 3C5, Index 13h  
Default: 00h

D7 MCLK Post-scale Bit[2]  
D6 Internal VCLK Post-Scale Bit[2]  
D[5:0] Reserved

**SR13A: Extended 25Mhz Video Clock Register 2**

Register Type: Read/Write  
Read/Write Port: 3C5h, Index 13h  
Default: 00h

D7 Reserved  
D6 25Mhz VCLK Post-Scale Bit[2]  
D[5:0] Reserved

**SR13B: Extended 28Mhz Video Clock Register 0**

Register Type: Read/Write  
Read/Write Port: 3C5h, Index 2Ah  
Default: 00h

D7 Reserved  
D6 28Mhz VCLK Post-Scale Bit[2]  
D[5:0] Reserved

**SR14: Extended Hardware Cursor Color 0 Red Register**

Register Type: Read/Write  
Read/Write Port: 3C5, Index 14h  
Default: 00h

D[7:6] Reserved  
D[5:0] Hardware Cursor Color 0 Red Bit[5:0]

**SR15: Extended Hardware Cursor Color 0 Green Register**

Register Type: Read/Write  
Read/Write Port: 3C5, Index 15h  
Default: 00h

D[7:6] Reserved  
D[5:0] Hardware Cursor Color 0 Green Bit[5:0]

**SR16: Extended Hardware Cursor Color 0 Blue Register**

Register Type: Read/Write  
Read/Write Port: 3C5, Index 16h  
Default: 00h



D[7:6] Reserved  
D[5:0] Hardware Cursor Color 0 Blue Bit[5:0]

**SR17: Extended Hardware Cursor Color 1 Red Register**

Register Type: Read/Write  
Read/Write Port: 3C5, Index 17h  
Default: 00h

D[7:6] Reserved  
D[5:0] Hardware Cursor Color 1 Red Bit[5:0]

**SR18: Extended Hardware Cursor Color 1 Green Register**

Register Type: Read/Write  
Read/Write Port: 3C5, Index 18h  
Default: 00h

D[7:6] Reserved  
D[5:0] Hardware Cursor Color 1 Green Bit[5:0]

**SR19: Extended Hardware Cursor Color 1 Blue Register**

Register Type: Read/Write  
Read/Write Port: 3C5, Index 19h  
Default: 00h

D[7:6] Reserved  
D[5:0] Hardware Cursor Color 1 Blue Bit[5:0]

**SR1A: Extended Hardware Cursor Horizontal Start Register 0**

Register Type: Read/Write  
Read/Write Port: 3C5, Index 1Ah  
Default: 00h

D[7:0] Hardware Cursor Horizontal Start Bit[7:0]

**SR1B: Extended Hardware Cursor Horizontal Start Register 1**

Register Type: Read/Write  
Read/Write Port: 3C5, Index 1Bh  
Default: 00h

D[7:3] Reserved  
D[2:0] Hardware Cursor Horizontal Start Bit[10:8]

**SR1C: Extended Hardware Cursor Horizontal Preset Register**

Register Type: Read/Write  
Read/Write Port: 3C5, Index 1Ch  
Default: 00h

D[7:6] Reserved



D[5:0] Hardware Cursor Horizontal Preset Bit[5:0]

**SR1D: Extended Hardware Cursor Vertical Start Register 0**

Register Type: Read/Write  
Read/Write Port: 3C5, Index 1Dh  
Default: 00h

D[7:0] Hardware Cursor Vertical Start Bit[7:0]

**SR1E: Extended Hardware Cursor Vertical Start Register 1**

Register Type: Read/Write  
Read/Write Port: 3C5, Index 1Eh  
Default: 00h

D[7:4] Hardware Cursor Pattern Select Bit[3:0]

D3 Hardware Cursor Side Pattern Enable  
0: Disable  
1: Enable

D[2:0] Hardware Cursor Vertical Start Bit[10:8]

**SR1F: Extended Hardware Cursor Vertical Preset Register**

Register Type: Read/Write  
Read/Write Port: 3C5, Index 1Fh  
Default: 00h

D[7:6] Reserved

D[5:0] Hardware Cursor Vertical Preset Bit[5:0]

**SR20: Extended Linear Addressing Base Address Register 0**

Register Type: Read/Write  
Read/Write Port: 3C5, Index 20h  
Default: 00h

D[7:0] Linear Addressing Base Address Bit[26:19]

**SR21: Extended Linear Addressing Base Address Register 1**

Register Type: Read/Write  
Read/Write Port: 3C5, Index 21h  
Default: 00h

D7 Reserved

D[6:5] Linear Addressing Space Aperture Bit[1:0]  
00: 512 KByte  
01: 1 MByte  
10: 2 Mbyte  
11: 4MByte

D[4:0] Linear Addressing Base Address Bit[31:27]



**SR22: Extended Standby/Suspend Timer Register**

Register Type: Read/Write  
Read/Write Port: 3C5, Index 22h  
Default: 00h

D[7:4] Suspend Timer Bit[3:0]  
The resolution for Suspend Timer is 2 minutes.

D[3:0] Standby Timer Bit[3:0]  
The resolution for Standby Timer is 2 minutes.

**SR23: Extended Misc. Control Register 3**

Register Type: Read/Write  
Read/Write Port: 3C5, Index 23h  
Default: 00h

D7 Reserved

D6 CRC Generator Enable  
0: Disable  
1: Enable

D5 EDO DRAM Enable Bit  
0: Disable  
1: Enable

D4 Bypass SRAM  
0: Disable  
1: Enable

D3 Video compatible Hardware Cursor visibility enable  
0: Disable  
1: Enable

D[2:0] DRAM Control Signal Delay Compensation Bits[2:0]  
000: Delay 4 ns  
001: Delay 5 ns  
010: Delay 6 ns  
011: Delay 7 ns  
100: Delay 8 ns  
101: Delay 9 ns  
110: Delay 10 ns  
111: Delay 11 ns

**SR24: Extended Graphics Frame Buffer Location Address Register**

Register Type: Read/Write  
Read/Write Port: 3C5, Index 24h  
Default: 00h

D[7:0] Graphics Frame Buffer Location address Bits[7:0]  
When 32-bit mode, this register is in unit of 256 KB  
When 64-bit mode, this register is in unit of 512 KB



**SR25: Extended Scratch Register 2**

Register Type: Read/Write  
Read/Write Port: 3C5, Index 25h  
Default: 00h  
D[7:0] Reserved for VGA BIOS

**SR26: Extended Graphics Engine Register 0**

Register Type: Read/Write  
Read/Write Port: 3C5, Index 26h  
Default: 00h

D7	Reserved
D6	Power-down Internal RAMDAC 0: Disable 1: Enable
D5	PCI Burst-Write Mode enable 0: Disable 1: Enable
D4	Continuous Memory Data Access Enable Bit 0: Disable 1: Enable
D3	Internal VGAREQ* and VGAGNT* synchronize to HCLK 0: Asynchronous 1: Synchronous
D2	Slow DRAM RAS pre-charge time 0: Disable (3 MCLK/DRAM cycle) 1: Enable (4 MCLK/DRAM cycle)
D1	Slow DRAM Timing enable 0: Disable (7 MCLK/DRAM cycle) 1: Enable (8 MCLK/DRAM cycle)
D0	Reserved

**SR27: Extended Graphics Engine Register 1**

Register Type: Read/Write  
Read/Write Port: 3C5, Index 27h  
Default: 00h

D7	Turbo Queue Engine enable 0: Disable 1: Enable
D6	Graphics Engine Register Programming enable 0: Disable 1: Enable
D[5:4]	Logical Screen Width and Byte-Per-Pixel Select Bit[1:0] 00 1024, 256 colors or 512, 32k/64k colors 01 2048, 256 colors or 1024, 32k/64k colors 10 4096, 256 colors or 2048, 32k/64k colors



D[3:0] 11 invalid  
Extended Screen Start Address Bit[19:16]

**SR28: Extended Internal Memory Clock Register 0**

Register Type: Read/Write  
Read/Write Port: 3C5, Index 28h  
Default: 00h

D[7] MCLK Divider  
0: Do not divide  
1: Divide by 2  
D[6:0] MCLK Numerator Bit[6:0]  
[0000000:1111111] = [1:128]

**SR29: Extended Internal Memory Clock Register 1**

Register Type: Read/Write  
Read/Write Port: 3C5, Index 29h  
Default: 00h

D7 MCLK VCO Gain  
0: Gain for low frequency operation  
1: Gain for high frequency operation  
D[6:5] MCLK Post-Scale Bit[1:0]  
When SR13 D6=0  
00 : Do not scale  
01 : Scaled by 2  
10 : Scaled by 3  
11 : Scaled by 4  
When SR13 D6=1  
00 : Reserved  
01 : Reserved  
10 : Scaled by 6  
11 : Scaled by 8  
D[4:0] MCLK DeNumerator Bit[4:0]  
[00000:11111] = [1:32]

**SR2A: Extended Internal Video Clock Register 0**

Register Type: Read/Write  
Read/Write Port: 3C5h, Index 2Ah  
Default: 00h

D[7] **Internal** VCLK Divider  
0: Do not divide





D[6:0] 1: Divide by 2  
**Internal** VCLK Numerator Bit[6:0]  
[0000000:1111111] = [1:128]

**SR2AA: Extended 25Mhz Video Clock Register 0**

Register Type: Read/Write  
Read/Write Port: 3C5h, Index 2Ah  
Default: 00h

D[7] 25Mhz VCLK Divider  
0: Do not divide  
1: Divide by 2  
D[6:0] 25Mhz VCLK Numerator Bit[6:0]  
[0000000:1111111] = [1:128]

**SR2AB: Extended 28Mhz Video Clock Register 0**

Register Type: Read/Write  
Read/Write Port: 3C5h, Index 2Ah  
Default: 00h

D[7] 28Mhz VCLK Divider  
0: Do not divide  
1: Divide by 2  
D[6:0] 28Mhz VCLK Numerator Bit[6:0]  
[0000000:1111111] = [1:128]

**SR2B: Extended Internal Video Clock Register 1**

Register Type: Read/Write  
Read/Write Port: 3C5h, Index 2Bh  
Default: 00h

D7 **Internal** VCLK VCO Gain  
0: Gain for low frequency operation  
1: Gain for high frequency operation

D[6:5] **Internal** VCLK Post-Scale Bit[1:0]  
When SR13 D6=0  
00 : Do not scale  
01 : Scaled by 2  
10 : Scaled by 3  
11 : Scaled by 4  
When SR13 D6=1  
00 : Reserved  
01 : Reserved  
10 : Scaled by 6



D[4:0] 11 : Scaled by 8  
**Internal** VCLK DeNumerator Bit[4:0]  
[00000:11111] = [1:32]

**SR2BA: Extended 25Mhz Video Clock Register 1**

Register Type: Read/Write  
Read/Write Port: 3C5h, Index 2Bh  
Default: 00h

D7 25Mhz VCLK VCO Gain  
0: Gain for low frequency operation  
1: Gain for high frequency operation

D[6:5] 25Mhz VCLK Post-Scale Bit[1:0]

When SR13A D6=0

00 : Do not scale

01 : Scaled by 2

10 : Scaled by 3

11 : Scaled by 4

When SR13A D6=1

00 : Reserved

01 : Reserved

10 : Scaled by 6

11 : Scaled by 8

D[4:0] 25Mhz VCLK DeNumerator Bit[4:0]  
[00000:11111] = [1:32]

**SR2BB: Extended 28Mhz Video Clock Register 1**

Register Type: Read/Write  
Read/Write Port: 3C5h, Index 2Bh  
Default: 00h

D7 28Mhz VCLK VCO Gain  
0: Gain for low frequency operation  
1: Gain for high frequency operation

D[6:5] 28Mhz VCLK Post-Scale Bit[1:0]

When SR13B D6=0

00 : Do not scale

01 : Scaled by 2

10 : Scaled by 3

11 : Scaled by 4



When SR13B D6=1

00 : Reserved

01 : Reserved

10 : Scaled by 6

11 : Scaled by 8

D[4:0] 28Mhz VCLK DeNumerator Bit[4:0]  
[00000:11111] = [1:32]

**SR2C: Extended Turbo Queue Base Address**

Register Type: Read/Write  
Read/Write Port: 3C5h, Index 2Ch  
Default: 00h

D7 Reserved  
D[6:0] Turbo Queue Base Address Bit[6:0]

**SR2D: Extended Memory Start Control Register**

Register Type: Read/Write  
Read/Write Port: 3C5, Index 2Dh  
Default: 00h

D7 Memory Address Scramble Table Selection Bit 4  
Refer to " Scrambling Table"  
D6 Reserved  
D5 Reserved  
D4 Shared-memory 2-wire, 2-request Mode  
0: Disable  
1: Enable  
D[3:0] Page Size Select  
0000: 2 KB at 32-bit mode, 4 KB at 64-bit mode  
0001: 4 KB at 32-bit mode, 8 KB at 64-bit mode  
0010: 8 KB at 32-bit mode, 16 KB at 64-bit mode  
0011: 16 KB at 32-bit mode, 32 KB at 64-bit mode  
0100: 1 KB at 32-bit mode, 2 KB at 64-bit mode  
Others: Reserved

**SR2E: Extended Shared Memory Control Register**

Register Type: Read/Write  
Read/Write Port: 3C5h, Index 2Eh  
Default: 00h

D[7:4] Memory Address Scrambling Table Selection Bit[3:0]  
Refer to " Scrambling Table".

D[3:0] Reserved

**SR2F: Extended DRAM Frame Buffer Size Register**

Register Type: Read/Write



Read/Write Port:	3C5, Index 2Fh
Default:	00h
D7	Reserved
D6	Read-Modified-Write Timing Selection 0: 5 MCLK 1: 6 MCLK
D5	Enable Fast Change Mode Timing 0: Disable 1: Enable
D4	Enable Fast Page Flip 0: Disable 1: Enable
D3	Enable Extend DRAM Frame Buffer Sizing 0: Disable 1: Enable
D[2:0]	Extended DRAM Frame Buffer Size Bit[2:0] 000: 256 KB for 32-bit DRAM data bus, 512 KB for 64-bit DRAM data bus 001: 512 KB for 32-bit DRAM data bus, 1 MB for 64-bit DRAM data bus 010: 768 KB for 32-bit DRAM data bus, 1.5 MB for 64-bit DRAM data bus 011: 1 MB for 32-bit DRAM data bus, 2 MB for 64-bit DRAM data bus 100: 1.25 MB for 32-bit DRAM data bus, 2.5 MB for 64-bit DRAM data bus 101: 1.5 MB for 32-bit DRAM data bus, 3 MB for 64-bit DRAM data bus 110: 1.75 MB for 32-bit DRAM data bus, 3.5 MB for 64-bit DRAM data bus 111: 2 MB for 32-bit DRAM data bus, 4 MB for 64-bit DRAM data bus

**SR30: Extended Fast Page Flip Starting Address Low Register**

Register Type:	Read/Write
Read/Write Port:	3C5, Index 30h
Default:	00h
D[7:0]	Fast page flip starting address bit[7:0]

**SR31: Extended Fast Page Flip Starting Address Middle Register**

Register Type:	Read/Write
Read/Write Port:	3C5, Index 31h
Default:	00h
D[7:0]	Fast page flip starting address bit[15:8]



**SR32: Extended Fast Page Flip Starting Address High Register**

Register Type: Read/Write  
Read/Write Port: 3C5, Index 32h  
Default: 00h

D[7:4] Reserved  
D[3:0] Fast page flip starting address bits[19:16]

The fast page flip starting address is latched when SR32 is written. So the registers SR30 and SR31 should be programmed before SR32. These register are enabled by setting SR2F D5.

**SR33: Extended Misc. Control Register 4**

Register Type: Read/Write  
Read/Write Port: 3C5, Index 33h  
Default: 00h

D7 Reserved  
D6 Select external HCLK as MCLK enable  
0 : disable  
1 : enable  
D5 Relocated VGA I/O port addresses decoding disable  
0 : enable  
1 : disable

The standard VGA register I/O port address can be relocated to address defined by PCI Config Register 18H. This bit disable the relocated address decoding.

D4 Standard VGA I/O port addresses decoding disable  
0 : enable  
1 : disable

The standard VGA register I/O port address decoding can be disabled by this bit.

D3 Enable one cycle EDO DRAM timing  
0 : disable  
1 : enable

D2 Select Synchronous DRAM Latency  
0 : Latency=3  
1 : Latency=2

D1 Reserved



D0            Enable Synchronous DRAM timing  
              0 : Disable  
              1 : Enable

**SR34 Extended Misc. Control Register 5**

Register Type:    Read/Write  
Read/Write Port: 3C5, Index 34h  
Default:            00h

D7            DRAM controller one cycle write enable  
              0 : Disable  
              1 : Enable

D6            DRAM controller one cycle read enable  
              0 : Enable  
              1 : Disable

D5            Input HCLK delay lock loop enable  
              0 : Enable  
              1 : Disable

D4            Enable Host Bus Smart write  
              0 : Disable  
              1 : Enable

D3            Enable Host Bus  
              0 : Disable  
              1 : Enable

D2            Reserved

D1            Check period for host bus smart write  
              0 : check period = 16 memory clock  
              1 : check period = 32 memory clock

D0            Enable Hardware Command Queue Threshold low  
              0 : disable  
              1 : enable

**SR35 Extended Misc. Control Register 6**

Register Type:    Read/Write  
Read/Write Port: 3C5, Index 35h  
Default:            00h



D7	Reserved
D6	MA delay compensation 0 : Add 0ns 1 : Add 2ns
D5	SDRAM burst timing enable 0 : Enable 1 : Disable
D4	Enable fast PCI burst write mode 0 : Disable 1 : Enable
D[3:2]	DRAM CAS low period width compensation bit[1:0] 00 : Add 0ns 01 : Add 2ns 10 : Add 4ns 11 : Add 6ns
D2	Enable PCI Bus write cycle retry 0 : disable 1 : enable
D0	Enable PCI bus read cycle retry 0 : disable 1 : enable

**SR36: Extended Scratch Register 3**

Register Type: Read/Write  
Read/Write Port: 3C5, Index 36h  
Default: 00h  
D[7:0] Reserved for VGA BIOS

**SR37: Extended Scratch Register 4**

Register Type: Read/Write  
Read/Write Port: 3C5, Index 37h  
Default: 00h  
D[7:0] Reserved for VGA BIOS

**SR38 Extended Misc. Control Register 7**

Register Type: Read/Write



Read/Write Port: 3C5, Index 38h  
Default: 00h

D[7:4] Hardware Cursor Location  
Hardware Cursor Starting Address Bit[21:18]

D3 Reserved

D2 Disable Line compare  
0 : enable  
1 : disable

D[1:0] Video Clock Register Selection Bit[1:0]  
00 : Select Internal Video Clock Registers  
SR13, SR2A, SR2B  
01 : Select 25Mhz Video Clock Registers  
SR13A, SR2AA, SR2BA  
10 : Select 28Mhz Video Clock Registers  
SR13B, SR2AB, SR2BB  
11 : Reserved

There are three video clock registers Internal Video Clock Registers, 25Mhz Video Clock Registers, 28Mhz Video Clock Registers. All three registers use the same index of 3C5, index 13, 2A, 2B. The selection is programmed by Video Clock Register Selection Bit[1:0]. The VCLK frequency is generated from Internal Video Clock Registers when Miscellaneous Output Register (port 3C2) Bit[3:0]=11. The VCLK frequency is generated from 25Mhz Video Clock Registers when Miscellaneous Output Register (port 3C2) Bit[3:0]=00. The VCLK frequency is generated from 28Mhz Video Clock Registers when Miscellaneous Output Register (port 3C2) Bit[3:0]=01.

### SR3B Extended Clock Generator Control Register

Register Type: Read/Write  
Read/Write Port: 3C5, Index 3Bh  
Default: 00h

D[7:4] Video clock generator control bit[3:0]  
D[3:0] Memory clock generator control bit[3:0]

### SR3C Extended Misc. Control Register 9

Register type : Read/Write  
Read/Write Port: 3C5, index 3Ch  
Default: 00h  
D[7:6] Reserved





D[5:4]	Memory clock DLL control bit[1:0]
D[3:0]	Reserved, must set to 0

**SR3D Extended Clock Generator Control**

Register Type:	Read/Write
Read/Write Port:	3C5, Index 3Dh
Default:	00h
D0	Host Bus Write Byte Merge 0 : Enable 1 : Disable
D1	Host Bus Write Cycle 0 : Enable 1 : Disable
D2	Host Bus read Cycle 0 : Enable 1 : Disable
D3	Host Bus Memory Mapped I/O Cycle 0 : Enable 1 : Disable
D[5:4]	DLL Phase Lock Loop Control 00 : step 2 01 : step 4 10 : step 8 11 : step 16

**6.6.8 Graphics Engine Related Registers**

SiS chipset integrated graphics controller supports a powerful graphics engine to enhance the performance. The functions of the graphics engine in SiS chipset include BitBlt, BitBlt with mask, Color/Font Expansion, Enhanced Color/Font Expansion, Line Drawing, and Direct Draw.

Since the register formats for the line drawing and Direct Draw are different from those of the other general engine functions, we would like to describe these three register formats separately in the following paragraphs:

**6.6.9 Register Format for General Engine Functions****6.6.10 Register Format for Line Drawing****6.6.11 Register Format for Direct Draw****6.6.9 Register Format for General Engine Functions**

The following table shows the register format for the general Graphics Engine functions.

D[31:24]	D[23:16]	D[15:08]	D[07:00]	I/O Address
Reserved	SRC Start Linear Address [21:0]			8280h
<b>Selection bits</b>	DST Start Linear Address [21:0]			8284h
DST Pitch		SRC Pitch		8288h
Rectangular Height		Rectangular Width		828Ch



FG Rop	FG (Foreground) Color			8290h
BG Rop	BG (Background) Color			8294h
Mask3	Mask2	Mask1	Mask0	8298h
Mask7	Mask6	Mask5	Mask4	829Ch
Top Clipping		Left Clipping		82A0h
Bottom Clipping		Right Clipping		82A4h
Command 1	Command 0	Command Queue Status		82A8h
Pattern 3	Pattern 2	Pattern 1	Pattern 0	82ACh
Pattern 7	Pattern 6	Pattern 5	Pattern 4	82B0h
Pattern 11	Pattern 10	Pattern 9	Pattern 8	82B4h
Pattern 15	Pattern 14	Pattern 13	Pattern 12	82B8h
Pattern 19	Pattern 18	Pattern 17	Pattern 16	82BCh
Pattern 23	Pattern 22	Pattern 21	Pattern 20	82C0h
Pattern 27	Pattern 26	Pattern 25	Pattern 24	82C4h
Pattern 31	Pattern 30	Pattern 29	Pattern 28	82C8h
Pattern 35	Pattern 34	Pattern 33	Pattern 32	82CCh
Pattern 39	Pattern 38	Pattern 37	Pattern 36	82D0h
Pattern 43	Pattern 42	Pattern 41	Pattern 40	82D4h
Pattern 47	Pattern 46	Pattern 45	Pattern 44	82D8h
Pattern 51	Pattern 50	Pattern 49	Pattern 48	82DCh
Pattern 55	Pattern 54	Pattern 53	Pattern 52	82E0h
Pattern 59	Pattern 58	Pattern 57	Pattern 56	82E4h
Pattern 63	Pattern 62	Pattern 61	Pattern 60	82E8h
Pattern 67	Pattern 66	Pattern 65	Pattern 64	82ECh
Pattern 71	Pattern 70	Pattern 69	Pattern 68	82F0h
Pattern 75	Pattern 74	Pattern 73	Pattern 72	82F4h
Pattern 79	Pattern 78	Pattern 77	Pattern 76	82F8h
Pattern 83	Pattern 82	Pattern 81	Pattern 80	82FCh
Pattern 87	Pattern 86	Pattern 85	Pattern 84	8300h
Pattern 91	Pattern 90	Pattern 89	Pattern 88	8304h
Pattern 95	Pattern 94	Pattern 93	Pattern 92	8308h
Pattern 99	Pattern 98	Pattern 97	Pattern 96	830Ch
Pattern 103	Pattern 102	Pattern 101	Pattern 100	8310h
Pattern 107	Pattern 106	Pattern 105	Pattern 104	8314h
Pattern 111	Pattern 110	Pattern 109	Pattern 108	8318h
Pattern 115	Pattern 114	Pattern 113	Pattern 112	831Ch
Pattern 119	Pattern 118	Pattern 117	Pattern 116	8320h
Pattern 123	Pattern 122	Pattern 121	Pattern 120	8324h
Pattern 127	Pattern 126	Pattern 125	Pattern 124	8328h

**Source Start Linear Address**

Register Type: Read/Write  
 Read/Write Port: 8280h~8283h  
 Default: 00h  
 D[31:22] Reserved



D[21:0] Source Start Linear Address Bit[21:0]

**Destination Start Linear Address**

Register Type: Read/Write  
Read/Write Port: 8284h~8287h  
Default: 00h

**D31 Enhanced Color Expansion Busy Bit**

0 : Idle

1 : Busy

This bit is read only.

**D[30:27] Reserved**

**D26 Enable No.64~127 pattern registers when run color-expansion function.**

0 : Disable

1 : Enable

**D25 Enable No.64~127 pattern registers when run pattern-copy function in high color mode.**

0 : Disable

1 : Enable

**D24 Select pattern registers when run pattern-copy function in 256 color mode.**

0 : Select No.0~63 pattern registers

1 : Select No. 64~127 pattern registers

**D[23:22] Reserved**

D[21:0] Destination Start Linear Address Bit[21:0]

**Source Pitch**

Register Type: Read/Write  
Read/Write Port: 8288h~8289h  
Default: 00h

D[15:12] Reserved

D[11:0] Source Pitch Bit[11:0]

**Destination Pitch**

Register Type: Read/Write  
Read/Write Port: 828Ah~828Bh  
Default: 00h

D[15:12] Reserved

D[11:0] Destination Pitch Bit[11:0]



### Rectangular Width

Register Type: Read/Write  
Read/Write Port: 828Ch~828Dh  
Default: 00h  
D[15:12] Reserved  
D[11:0] Destination Rectangular Width Bit[11:0]

### Rectangular Height

Register Type: Read/Write  
Read/Write Port: 828Eh~828Fh  
Default: 00h  
D[15:12] Reserved  
D[11:0] Destination Rectangular Height Bit[11:0]

### Foreground Color

Register Type: Read/Write  
Read/Write Port: 8290h~8292h  
Default: 00h  
D[23:0] Foreground Color Bit[23:0]

### FG Rop

Register Type: Read/Write  
Read/Write Port: 8293h  
Default: 00h  
D[7:0] Foreground Raster Operation Bit[7:0]

### Background Color

Register Type: Read/Write  
Read/Write Port: 8294h~8296h  
Default: 00h  
D[23:0] Background Color Bit[23:0]

### BG Rop

Register Type: Read/Write  
Read/Write Port: 8297h  
Default: 00h  
D[7:0] Background Raster Operation Bit[7:0]

### Mono Mask Register

Register Type: Read/Write



Read/Write Port: 8298h~829Fh  
Default: 00h  
D[63:0] Mono Mask Bit[63:0]

### Left Clipping

Register Type: Read/Write  
Read/Write Port: 82A0h~82A1h  
Default: 00h  
D[15:12] Reserved  
D[11:0] Rectangular Clipping Left Bit[11:0]

### Top Clipping

Register Type: Read/Write  
Read/Write Port: 82A2h~82A3h  
Default: 00h  
D[15:12] Reserved  
D[11:0] Rectangular Clipping Top Bit[11:0]

### Right Clipping

Register Type: Read/Write  
Read/Write Port: 82A4h~82A5h  
Default: 00h  
D[15:12] Reserved  
D[11:0] Rectangular Clipping Right Bit[11:0]

### Bottom Clipping

Register Type: Read/Write  
Read/Write Port: 82A6h~82A7h  
Default: 00h  
D[15:12] Reserved  
D[11:0] Rectangular Clipping Bottom Bit[11:0]

### Command Queue Status

Register Type: Read  
Read/Write Port: 82A8h~82A9h  
Default: 00h

If Hardware Command Queue is enable, then

D[15:5] reserved  
D[4:0] Available Command Queue Length Bit[4:0]

If Turbo Queue is enable, then

D[15:0] Head/Tail Index Bit[15:0]

The Head Index is written into this register, and the Tail Index is read from this registers.



### Command Register 0

Register Type: Read/Write

Read/Write Port: 82AAh

Default: 00h

D7	Rectangular clipping mode 0: Clipping internal region 1: Clipping external region
D6	Rectangular Clipping Control 0: Disable rectangular clipping logic 1: Enable rectangular clipping logic
D5	Y direction control 0: Y counter decrease 1: Y counter increase
D4	X direction control 0: X counter decrease 1: X counter increase
D[3:2]	Pattern select bit 1-0 00: From background color registers 01: From foreground color registers 10: From pattern registers 11: Reserved
D[1:0]	Source select bit 1-0 00: From background color registers 01: From foreground color registers 10: From video memory 11: From CPU-driven BitBlt source data

### Command Register 1

Register Type: Read/Write

Read/Write Port: 82ABh

Default: 00h

D7	Hardware Command Queue status 0: Hardware Command queue is not empty 1: Hardware Command queue is empty
D6	Graphics engine status 0: Graphics engine is idle and Hardware command queue is empty 1: Graphics engine is busy or Hardware command queue is not empty
D5	Enhanced Color Expansion 0: Disable enhanced color expansion 1: Enable enhanced color expansion
D4	Enhanced Font Expansion 0: Disable 1: Enable
D3	Line drawing last pixel control 0: Last pixel will be drawn



D2	1: Last pixel will not be drawn Line drawing major axial selection 0: Y-axial is major 1: X-axial is major
D[1:0]	Command type select Bit[1:0] 00: BitBlt 01: BitBlt with mask 10: Color/Font expansion 11: Line drawing

**NOTE:** Word\_Writing to Command 1 and Command 0, it will automatically initiate graphics engine to execute the specified command.

### Pattern Register n

Register Type: Read/Write  
Read/Write Port: 82ACh-832Bh  
Default: 00h

D[7:0] For 256 color mode with BitBlt engine, these registers store the 8x8 color bitmap.

For hi-color mode with BitBlt engine, these registers store the 8x8 color bitmap.

For Color-Expansion, these registers store the monochrome bitmap, thus it can expand 512 pixels at a time.

### 6.6.10 Register Format for Line Drawing

The register format for Line-Drawing is shown in following table.

D[31:24]	D[23:16]	D[15:08]	D[07:00]	IO Address
Reserved		X Start		8280h
Reserved		Y Start		8284h
Reserved		Reserved		8288h
Reserved		Major Axial Pixel Count		828Ch
FG Rop	FG (Foreground) Color			8290h
BG Rop	BG (Background) Color			8294h
K2 Term		K1 Term		8298h
Line Style		Error Term		829Ch
Top Clipping		Left Clipping		82A0h
Bottom Clipping		Right Clipping		82A4h
Command/Status		Reserved	Status 0	82A8h

### X Start

Register Type: Read/Write  
Read/Write Port: 8280h~8281h  
Default: 00h

D[15:12] Reserved



D[11:0] X Start Bit[11:0]

### Y Start

Register Type: Read/Write  
Read/Write Port: 8284h~8285h  
Default: 00h

D[15:12] Reserved  
D[11:0] Y Start Bit[11:0]

### Major Axial Pixel Count

Register Type: Read/Write  
Read/Write Port: 828Ch~828Dh  
Default: 00h

D[15:12] Reserved  
D[11:0] Major Axial Pixel Count Bit[11:0]

### Foreground Color

Register Type: Read/Write  
Read/Write Port: 8290h~8292h  
Default: 00h

D[23:0] Foreground Color Bit[23:0]

### FG Rop

Register Type: Read/Write  
Read/Write Port: 8293h  
Default: 00h

D[7:0] Foreground Raster Operation Bit[7:0]

### Background Color

Register Type: Read/Write  
Read/Write Port: 8294h~8296h  
Default: 00h

D[23:0] Background Color Bit[23:0]

### BG Rop

Register Type: Read/Write  
Read/Write Port: 8297h  
Default: 00h

D[7:0] Background Raster Operation Bit[7:0]

### K1 Term





Register Type: Read/Write  
Read/Write Port: 8298h~8299h  
Default: 00h  
D[15:14] Reserved  
D[13:0] K1 Term Bit[13:0]

**K2 Term**

Register Type: Read/Write  
Read/Write Port: 829Ah~829Bh  
Default: 00h  
D[15:14] Reserved  
D[13:0] K2 Term Bit[13:0]

**Error Term**

Register Type: Read/Write  
Read/Write Port: 829Ch~829Dh  
Default: 00h  
D[15:14] Reserved  
D[13:0] Error Term Bit[13:0]

**Line Style**

Register Type: Read/Write  
Read/Write Port: 829Eh~829Fh  
Default: 00h  
D[15:0] Style Pattern Bit[15:0]

**Left Clipping**

Register Type: Read/Write  
Read/Write Port: 82A0h~82A1h  
Default: 00h  
D[15:12] Reserved  
D[11:0] Rectangular Clipping Left Bit[11:0]

**Top Clipping**

Register Type: Read/Write  
Read/Write Port: 82A2h~82A3h  
Default: 00h  
D[15:12] Reserved  
D[11:0] Rectangular Clipping Top Bit[11:0]

**Right Clipping**

Register Type: Read/Write



Read/Write Port: 82A4h~82A5h  
Default: 00h  
D[15:12] Reserved  
D[11:0] Rectangular Clipping Right Bit[11:0]

### Bottom Clipping

Register Type: Read/Write  
Read/Write Port: 82A6h~82A7h  
Default: 00h  
D[15:12] Reserved  
D[11:0] Rectangular Clipping Bottom Bit[11:0]

### Command Queue Status

Register Type: Read/Write  
Read/Write Port: 82A8h~82A9h  
Default: 00h

If Hardware Command Queue is enable, then

D[15:5] reserved  
D[4:0] Available Command Queue Length Bit[4:0]

If Turbo Queue is enable, then

D[15:0] Head/Tail Index Bit[15:0]  
The Head Index is written into this register, and the Tail Index is read from this registers.

### Command Register 0

Register Type: Read/Write  
Read/Write Port: 82AAh  
Default: 00h  
D7 Rectangular Clipping Mode  
0: Clipping internal region  
1: Clipping external region  
D6 Rectangular Clipping Control  
0: Disable rectangular clipping logic  
1: Enable rectangular clipping logic  
D5 Y direction control  
0: Y counter decrease  
1: Y counter increase  
D4 X direction control  
0: X counter decrease  
1: X counter increase  
D[3:2] Pattern select bit 1-0  
00: From background color registers  
01: From foreground color registers  
10: From pattern registers



D[1:0] 11: Reserved  
 Source select bit 1-0  
 00: From background color registers  
 01: From foreground color registers  
 10: From video memory  
 11: From CPU-driven BitBlt source data

**Command Register 1**

Register Type: Read/Write  
 Read/Write Port: 82ABh  
 Default: 00h

D7 Hardware Command Queue status  
 0: Hardware Command queue is not empty  
 1: Hardware Command queue is empty

D6 Graphics engine status  
 0: Graphics engine is idle and Hardware command queue is empty  
 1: Graphics engine is busy or Hardware command queue is not empty

D5 Enhanced Color Expansion  
 0: Disable enhanced color expansion  
 1: Enable enhanced color expansion

D4 Enhanced Font Expansion  
 0: Disable  
 1: Enable

D3 Line drawing last pixel control  
 0: Last pixel will be drawn  
 1: Last pixel will not be drawn

D2 Line drawing major axial selection  
 0: Y-axial is major  
 1: X-axial is major

D[1:0] Command type select bit 1-0  
 00: BitBlt  
 01: BitBlt with mask  
 10: Color/Font expansion  
 11: Line drawing

**NOTE:** Word\_writing to Command 1 and Command 0, it will automatically initiate graphics engine to execute the specified command.

**6.6.11 The Register Format for Direct Draw**

The register format for Direct Draw is shown in following table.

D[31:24]	D[23:16]	D[15:08]	D[07:00]	IO Address
Reserved	Source Start Linear Address			8280h
Reserved	Destination Start Linear Address			8284h
Destination Pitch		Source Pitch		8288h
Rectangular Height		Rectangular Width		828Ch



S_Alpha Bit	High Value of Source Color Key	8290h
D_Alpha Bit	High value of Destination Color Key	8294h
D_Rop	Low Value of Source Color Key	8298h
Reserved	Low Value of Destination Color Key	829Ch
Top Clipping	Left Clipping	82A0h
Bottom Clipping	Right Clipping	82A4h
Command/Status	Command Queue Status	82A8h

**Source Start Linear Address**

Register Type: Read/Write  
Read/Write Port: 8280h~8283h  
Default: 00h

D[31:22] Reserved  
D[21:0] Source Start Linear Address Bit[21:0]

**Destination Start Linear Address**

Register Type: Read/Write  
Read/Write Port: 8284h~8287h  
Default: 00h

D[31:22] Reserved  
D[21:0] Destination Start Linear Address Bit[21:0]

**Source Pitch**

Register Type: Read/Write  
Read/Write Port: 8288h~8289h  
Default: 00h

D[15:12] Reserved  
D[11:0] Source Pitch Bit[11:0]

**Destination Pitch**

Register Type: Read/Write  
Read/Write Port: 828Ah~828Bh  
Default: 00h

D[15:12] Reserved  
D[11:0] Destination Pitch Bit[11:0]

**Rectangular Width**

Register Type: Read/Write  
Read/Write Port: 828Ch~828Dh  
Default: 00h

D[15:12] Reserved  
D[11:0] Destination Rectangular Width Bit[11:0]



### **Rectangular Height**

Register Type: Read/Write  
Read/Write Port: 828Eh~828Fh  
Default: 00h  
D[15:12] Reserved  
D[11:0] Destination Rectangular Height Bit[11:0]

### **High value of Source Color Key**

Register Type: Read/Write  
Read/Write Port: 8290h~8292h  
Default: 00h  
D[23:0] High Value of Source Color Key Bit[23:0]

### **Alpha Blending Control Bit for Source Color (S\_Alpha Bit)**

Register Type: Read/Write  
Read/Write Port: 8293h  
Default: 00h  
D[7:1] Reserved  
D0 Control Bit for Source Color Alpha Blending

### **High Value of Destination Color Key (D\_Alpha Bit)**

Register Type: Read/Write  
Read/Write Port: 8294h~8296h  
Default: 00h  
D[23:0] High Value of Destination Color Key Bit[23:0]

### **Alpha Blending Control Bit for Destination Color (D\_Alpha Bit)**

Register Type: Read/Write  
Read/Write Port: 8297h  
Default: 00h  
D[7:1] Reserved  
D0 Control Bit for Destination Color Alpha Blending

### **Low Value of Source Color Key**

Register Type: Read/Write  
Read/Write Port: 8298h~829Ah  
Default: 00h  
D[23:0] Low Value of Source Color Key Bit[23:0]

### **Direct Draw Rop (D\_Rop)**

Register Type: Read/Write  
Read/Write Port: 829Bh  
Default: 00h



D[7:4] Reserved  
D[3:0] Direct Draw Raster Operation Bit[3:0]

### Low Value of Destination Color Key

Register Type: Read/Write  
Read/Write Port: 829Ch~829Fh  
Default: 00h  
D[23:0] Low Value of Destination Color Key Bit[23:0]

### Left Clipping

Register Type: Read/Write  
Read/Write Port: 82A0h~82A1h  
Default: 00h  
D[15:12] Reserved  
D[11:0] Rectangular Clipping Left Bit[11:0]

### Top Clipping

Register Type: Read/Write  
Read/Write Port: 82A2h~82A3h  
Default: 00h  
D[15:12] Reserved  
D[11:0] Rectangular Clipping Top Bit[11:0]

### Right Clipping

Register Type: Read/Write  
Read/Write Port: 82A4h~82A5h  
Default: 00h  
D[15:12] Reserved  
D[11:0] Rectangular Clipping Right Bit[11:0]

### Bottom Clipping

Register Type: Read/Write  
Read/Write Port: 82A6h~82A7h  
Default: 00h  
D[15:12] Reserved  
D[11:0] Rectangular Clipping Bottom Bit[11:0]

### Command Queue Status

Register Type: Read/Write  
Read/Write Port: 82A8h~82A9h  
Default: 00h  
If Hardware Command Queue is enable, then  
D[15:5] reserved



D[4:0] Available Command Queue Length Bit[4:0]

If Turbo Queue is enable, then

D[15:0] Head/Tail Index Bit[15:0]

The Head Index is written into this register, and the Tail Index is read from this registers.

### Command Register 0

Register Type: Read/Write

Read/Write Port: 82AAh

Default: 00h

D7 Rectangular Clipping Mode

0: Clipping internal region

1: Clipping external region

D6 Rectangular Clipping Control

0: Disable rectangular clipping logic

1: Enable rectangular clipping logic

D5 Y direction control

0: Y counter decrease

1: Y counter increase

D4 X direction control

0: X counter decrease

1: X counter increase

D[3:2] Direct Draw Enable

00: Reserved

01: Reserved

10: Reserved

11: Enable Direct Draw

The two bits (D[3:2]) must be set to “11” then the Direct Draw function can be enabled.

D[1:0] Source select bit 1-0

00: From background color registers

01: From foreground color registers

10: From video memory

11: From CPU-driven BitBlt Source Data

### Command Register 1

Register Type: Read/Write

Read/Write Port: 82ABh

Default: 00h

D7 Hardware Command Queue status

0: Hardware Command queue is not empty

1: Hardware Command queue is empty

D6 Graphics engine status

0: Graphics engine is idle and Hardware command queue is empty

1: Graphics engine is busy or Hardware command queue is not empty



D5	Enhanced Color/Font Expansion 0: Disable enhanced color expansion 1: Enable enhanced color expansion
D4	Software Command Queue Status 0: Software Command queue empty 1: Software Command queue not empty
D3	Line drawing last pixel control 0: Last pixel will be drawn 1: Last pixel will not be drawn
D2	Line drawing major axial selection 0: Y-axial is major 1: X-axial is major
D[1:0]	Command type select bit 1-0 00: BitBlt 01: BitBlt with mask 10: Color/Font expansion 11: Line drawing

**NOTE:** Word\_writing to Command 1 and Command 0, it will automatically initiate graphics engine to execute the specified command.

#### 6.6.12 Video Accelerator Registers

Index(3D4)	Video Accelerator Register (3D5)
80h	Password/Identification Register
81h	Video Window Horizontal Display Start Low Register
82h	Video Window Horizontal Display End Low Register
83h	Video Window Horizontal Display Overflow Register
84h	Video Window Vertical Display Start Low Register
85h	Video Window Vertical Display End Low Register
86h	Video Window Vertical Display Overflow Register
87h	Video Capture Frame Buffer Starting Address Low Register
88h	Video Capture Frame Buffer Starting Address Middle Register
89h	Video Frame Buffer Overflow Register
8Ah	Video Display Frame Buffer Starting Address Low Register
8Bh	Video Display Frame Buffer Starting Address Middle Register
8Ch	Video Frame Buffer Offset Low Register
8Dh	Video Display Frame Buffer End Address Low Register
8Eh	Video Frame Buffer Offset Address High Register
8Fh	Video Capture Threshold Value Register
90h	Video Capture Horizontal Down Scaling Factor Register
91h	Video Capture Vertical Down Scaling Register
92h	Horizontal Up Scaling Factor and Horizontal Interpolation Accuracy Factor Register
93h	Vertical Up Scaling Factor Register
94h	Horizontal Scaling Factor Integer Register
95h	Video Overlay Color Key Blue Low Value Register





96h	Video Overlay Color Key Green Low Value Register
97h	Video Overlay Color Key Red Low Value Register
98h	Video Control Misc. Register 0
99h	Video Control Misc. Register 1
9Ah	Video Chroma Key B/Y Low Value Register
9Bh	Video Chroma Key G/U Low Value Register
9Ch	Video Chroma Key R/V Low Value Register
9Dh	Video Control Misc. Register 3
9Eh	Video Playback Threshold Low Value Register
9Fh	Video Playback Threshold High Value Register
A0h	Line Buffer Size Register
A1h	Video Overlay Color Key Blue High Value Register
A2h	Video Overlay Color Key Green High Value Register
A3h	Video Overlay Color Key Red High Value Register
A4h	Video Chroma Key B/Y High Value Register
A5h	Video Chroma Key G/U High Value Register
A6h	Video Chroma Key R/V High Value Register
A7h	Graphics Data Alpha Value Register
A8h	Video Data Alpha Value Register
A9h	Key Overlay Operation Mode Register
AAh	Video Capture Horizontal Start Register
ABh	Video Capture Horizontal End Register
ACh	Video Capture Vertical Start Register
ADh	Video Capture Vertical End Register
A Eh	Video Capture Horizontal Overflow Register
AFh	Video Capture Vertical Overflow Register
B0h	System Memory Video Frame Buffer Setting Register 1
B1h	System Memory Video Frame Buffer Setting Register 2
B2h	System Memory Video Frame Buffer Setting Register 3 and Video Control Register
B3h	Contrast Enhancement Mean Value Sampling Rate Factor Register
B4h	Brightness Register
B5h	Contrast Enhancement Control Register
B6h	Video Misc. Control Register
B7h	Video U Plane Starting Address Low Register
B8h	Video U Plane Starting Address Middle Register
B9h	Video UV Plane Starting Address High Register
BAh	Video V Plane Starting Address Low Register
BBh	Video V Plane Starting Address Middle Register
BCh	Video UV Plane Offset Register

**Password/Identification Register**

Register Type: Read/Write  
Read/Write Port: 3D5, Index 80h  
Default: 00h



D[7:0] Password/identification Bit[7:0]

Description:

If 86h is written to this register, A1h will be read from this register and all the video extension registers would be unlocked to allow desired change.

If any value other than 86h is written to this register, 21h will be read from this register and all the video extension registers would be locked to prevent unauthorized change.

**Video Window Horizontal Display Start Low Register**

Register Type: Read/Write  
Read/Write Port: 3D5, Index 81h  
Default: 00h

D[7:0] Video window horizontal display start Bit[7:0]

Description:

The Video Window Horizontal Display Start Bit[10:0] form the left boundary of the video window. The Bit[10:8] is located in the Video Window Horizontal Display Overflow Register (Index 83h, Sec. 0 on page 298). The boundary is in unit of pixel.

**Video Window Horizontal Display End Low Register**

Register Type: Read/Write  
Read/Write Port: 3D5, Index 82h  
Default: 00h

D[7:0] Video window horizontal display end Bit[7:0]

Description:

The Video Window Horizontal Display End Bit[10:0] form the right boundary of the video window. The Bits[10:8] is located in the Video Window Horizontal Display Overflow Register (Index 83h, Sec. 0 on page 298). The boundary is in unit of pixel.

**Video Window Horizontal Display Overflow Register**

Register Type: Read/Write  
Read/Write Port: 3D5, Index 83h  
Default: 00h

D[2:0] Video window horizontal display start Bit[10:8]  
D3 Reserved  
D[6:4] Video window horizontal display end Bit[10:8]  
D7 Reserved

**Video Window Vertical Display Start Low Register**

Register Type: Read/Write  
Read/Write Port: 3D5, Index 84h  
Default: 00h

D[7:0] Video window vertical display start Bit[7:0]

Description:



The Video Window Vertical Display Start Bit[10:0] form the top boundary of the video window. The Bit[10:8] is located in the Video Window Vertical Display Overflow Register (Index 86h, 0 on page 299). The boundary is in unit of line.

#### **Video Window Vertical Display End Low Register**

Register Type: Read/Write  
Read/Write Port: 3D5, Index 85h  
Default: 00h

D[7:0] Video window vertical display end Bit[7:0]

##### **Description:**

The Video Window Vertical Display End Bit[10:0] form the bottom boundary of the video window. The Bit[10:8] is located in the Video Window Vertical Display Overflow Register (Index 86h, 0 on page 299). The boundary is in unit of line.

#### **Video Window Vertical Display Overflow Register**

Register Type: Read/Write  
Read/Write Port: 3D5, Index 86h  
Default: 00h

D[2:0] Video window horizontal display start Bit[10:8]

D3 Reserved

D[6:4] Video window horizontal display end Bit[10:8]

D7 Reserved

#### **Video Capture Frame Buffer Starting Address Low Register**

Register Type: Read/Write  
Read/Write Port: 3D5, Index 87h  
Default: 00h

D[7:0] Video capture frame buffer starting address Bit[7:0]

##### **Description:**

The Video Capture Frame Buffer Starting Address Bit[19:0] form the video frame buffer starting address in unit of doubleword. The Bit[15:8] are located in the Video Capture Frame Buffer Starting Address Middle Register (Index 88h, Sec. 0 on page 299). The Bit[19:16] are located in the Video Frame Buffer Overflow Register (Index 89h, Sec. 0 on page 299).

#### **Video Capture Frame Buffer Starting Address Middle Register**

Register Type: Read/Write  
Read/Write Port: 3D5, Index 88h  
Default: 00h

D[7:0] Video capture frame buffer starting address Bit[15:8]

#### **Video Frame Buffer Overflow Register**



Register Type: Read/Write  
Read/Write Port: 3D5, Index 89h  
Default: 00h  
D[3:0] Video capture frame buffer starting address Bit[19:16]  
D[7:4] Video display frame buffer starting address Bit[19:16]

### Video Display Frame Buffer Starting Address Low Register

Register Type: Read/Write  
Read/Write Port: 3D5, Index 8Ah  
Default: 00h  
D[7:0] Video display frame buffer starting address Bit[7:0]

#### Description:

The Video Display Frame Buffer Starting Address Bit[19:0] form the video display starting address in unit of doubleword. The Bit[15:8] are located in the Video Display Frame Buffer Starting Address Middle Register (Index 8Bh, Sec.0 on page 300). The Bits[19:16] are located in the Video Frame Buffer Overflow Register (Index 89h, Sec. 0 on page 299). This address could be different from the video capture frame buffer starting address to perform the video display panning function.

### Video Display Frame Buffer Starting Address Middle Register

Register Type: Read/Write  
Read/Write Port: 3D5, Index 8Bh  
Default: 00h  
D[7:0] Video display frame buffer starting address Bit[15:8]

### Video Frame Buffer Offset Low Register

Register Type: Read/Write  
Read/Write Port: 3D5, Index 8Ch  
Default: 00h  
D[7:0] Video frame buffer offset Bit[7:0]

#### Description:

The Video Frame Buffer Offset Bit[11:0] form the offset of the video frame buffer. The Bit[11:8] are located in the Video Frame Buffer Offset High Register (Index 8Eh, Sec. 0 on page 301).

The offset defines the size of the scan line of the video data captured in the video frame buffer in unit of double word. It should slightly larger than the actual size of captured video image to avoid the data over stored to next scan line buffer.

### Video Display Frame Buffer End Address Low Register

Register Type: Read/Write  
Read/Write Port: 3D5, Index 8Dh  
Default: 00h



D[7:0] Video display frame buffer end address Bit[7:0]

Description:

The Video Capture Frame Buffer End Address Bit[7:0] form the end address of the video frame buffer. The address is in unit of 16k bytes. This address defines the end address of the capture frame buffer. It can prevent the captured data to destroy the other data outside the capture frame buffer when the video data input is unstable.

### Video Frame Buffer Offset Address High Register

Register Type: Read/Write  
Read/Write Port: 3D5, Index 8Eh  
Default: 00h

D[3:0] Video frame buffer offset Bit[11:8]  
D[7:4] Reserved

### Video Capture Threshold Value Register

Register Type: Read/Write  
Read/Write Port: 3D5, Index 8Fh  
Default: 00h

D[2:0] Video capture threshold low Bit[2:0]  
D3 Reserved  
D[6:4] Video capture threshold high Bit[2:0]  
D7 Reserved

Description:

This register contains the video capture FIFO threshold low and the video capture FIFO threshold high.

The threshold low defines the FIFO lower boundary which indicates the FIFO is full enough and the data in the FIFO can be written into the DRAM. But if the priority of the threshold low is lower than others, it can wait until it is able to write the data of FIFO into the DRAM.

The threshold high defines the FIFO upper boundary which indicates the FIFO is about to be overflow and the data of the FIFO must be written into the DRAM as soon as possible.

These two thresholds should be modified to catch the maximum performance by compromising with the CRT threshold, video display threshold, and DRAM refresh rate, etc.

### Video Capture Horizontal Down Scaling Factor Register

Register Type: Read/Write  
Read/Write Port: 3D5, Index 90h  
Default: 00h

D[5:0] Video capture horizontal down scaling factor Bit[5:0]  
D[7:6] Reserved

Description:

This register contains the video capture horizontal down scaling factor (HDSF). The horizontal size of the captured video frame will be scaled to  $(64-HDSF)/64$ . Since the



scaled-down video frame maybe will not fit into the video display window, the margins outside the video display window will be cut off. This factor is not only used to fit the window size but also is used to reduce the bandwidth required for the video capture and video display.

#### Video Capture Vertical Down Scaling Register

Register Type: Read/Write  
Read/Write Port: 3D5, Index 91h  
Default: 00h

D[5:0] Vertical down scaling factor Bit[5:0]

D[7:6] Reserved

##### Description:

This register contains the video capture vertical down scaling factor (VDSF). The vertical size of the captured video frame will be scaled to  $(64-VDSF)/64$ . Since the scaled-down video frame maybe will not fit into the video display window, the margins outside the video display window will be cut off. This factor is not only used to fit the window size but also is used to reduce the bandwidth required for the video capture and video display.

#### Horizontal Up Scaling Factor and Horizontal Interpolation Accuracy Factor Register

Register Type: Read/Write  
Read/Write Port: 3D5, Index 92h  
Default: 00h

D[5:0] Horizontal up scaling factor Bit[5:0]

D[7:6] Horizontal up-scaling interpolation accuracy factor  
00: replication  
01: 2-phase  
10: 4-phase  
11: 8-phase

##### Description:

This field contains the video playback horizontal up scaling factor fraction (HSFF). It is combined with the horizontal scaling factor integer (HSFI) register (Index 94h, Sec 0 on page 303) to form horizontal scaling. The horizontal size will be scaled to  $1/(HSFI+(HSFF/64))$ . The HSFI should be zero for up-scaling. The HSFI should not be zero for down-scaling.

The Up-scaling interpolation accuracy factor can modify the up-scaling interpolation DDA accuracy phases.

#### Vertical Up Scaling Factor Register

Register Type: Read/Write  
Read/Write Port: 3D5, Index 93h  
Default: 00h

D[5:0] Vertical up scaling factor Bit[5:0]

D[7:6] Video frame buffer data format selection Bit[1:0]  
for YUV format,  
00: UYVY 4:2:2



01: VYUY 4:2:2  
10: YUYV 4:2:2  
11: YVYU 4:2:2

for RGB format,  
00: RGB 5:5:5  
01: RGB 5:6:5

**Description:**

This field contains the video playback vertical up scaling factor (VUSF). The vertical size will be scaled to 64/VUSF. If VUSF=0, the vertical size will not be scaled.

**Horizontal Scaling Factor Integer Register**

Register Type : Read/Write  
Read/Write Port : 3D5, Index 94h

D[3:0] Horizontal Scaling Factor Integer Bit[3:0]  
D[7:4] Reserved

**Video Overlay Color Key Blue Low Value Register**

Register Type: Read/Write  
Read/Write Port: 3D5, Index 95h  
Default: 00h

D[7:0] Blue Key Bit[7:0]

**Description:**

This register contains the blue video overlay color key low value.  
In 8-bit color mode, it is used as the color key low value.  
In 16-bit color mode, it is used as the low byte of color key low value.  
In 24-bit color mode, it is used as the blue byte of the color key low value.  
If the value of the graphics data is greater than or equal to the color key low value, and lower than or equal to the color key high value, the graphics data may be replaced by video data in the way defined by key operation mode.

**Video Overlay Color Green Low Value Register**

Register Type: Read/Write  
Read/Write Port: 3D5, Index 96h  
Default: 00h

D[7:0] Green Key Bit[7:0]

**Description:**

This register contains the green video overlay color key low value.  
In 8-bit color mode, it is invalid.  
In 16-bit color mode, it is used as the high byte of color key low value.  
In 24-bit color mode, it is used as the green byte of the color key low value.  
If the value of the graphics data is greater than or equal to the color key low value, and lower than or equal to the color key high value, the graphics data may be replaced by video data in the way defined by key operation mode.





### Video Overlay Color Red Low Value Register

Register Type: Read/Write  
Read/Write Port: 3D5, Index 97h  
Default: 00h

D[7:0] Red Key Bit[7:0]

#### Description:

This register contains the red video overlay color key low value.

In 8-bit color mode, it is invalid.

In 16-bit color mode, it is invalid.

In 24-bit color mode, it is used as the red byte of the color key low value.

If the value of the graphics data is greater than or equal to the color key low value, and lower than or equal to the color key high value, the graphics data may be replaced by video data in the way defined by key operation mode.

### Video Control Misc. Register 0

Register Type: Read/Write  
Read/Write Port: 3D5, Index 98h  
Default: 00h

D0 Enable video capture

0: Disable video capture

1: Enable video capture

This bit could enable the video capture. If the video data is input through feature connector (FC), this bit should be set. The video pause function can be performed by disable this bit but enable the video playback bit.

D1 Enable video playback

0: Disable video playback

1: Enable video playback

This bit could enable the video playback. When the data of the video frame buffer are fetched by the system, the bandwidth of DRAM maybe not enough. The video playback can be disabled to gain the bandwidth but the video will not be played back.

D2 Reserved

D3 Reserved

D4 Video only display mode

0: Disable video only display mode

1: Enable video only display mode

The graphics display can be disable by setting this bit. This can reduce the DRAM bandwidth especially on the full screen video playback mode.

D5 Video capture interlace control

0: Disable video capture interlace control

1: Enable video capture interlace control

The video data input through feature connector could be interlaced. If the input video data are interlaced this bit should be set.

D6 Video format selection

0: Select RGB format





- 1: Select YUV format  
This bit is used with the video frame buffer data format selection field of register CR92 to select the correct video data format.
- D7 Field Polarity Selection  
0: Select Odd/\*Even  
1: Select \*Odd/Even  
This bit can select the polarity of Field signal.

### Video Control Misc. Register 1

- Register Type: Read/Write  
Read/Write Port: 3D5, Index 99h  
Default: 00h
- D0 Enable YUV data capture  
0: Capture RGB format video data  
1: Capture YUV format video data  
The video capture can be RGB and YUV format.
- D1 Enable dithering  
0: Disable dithering  
1: Enable dithering  
The captured video data can be dithered for better video quality.
- D2 Capture format select  
0: Format RGB 565  
1: Format RGB 555  
The capture video data may be RGB 555 or RGB565 format.
- D[5:3] Horizontal filter select  
000: 1  
001:  $(1/8(1+3z^{-1}+3z^{-2}+z^{-3}))$   
010:  $(1/4(1+2z^{-1}+z^{-2}))$   
011:  $(1/2(1+z^{-1}))$   
101:  $(1/8(1+2z^{-1}+2z^{-2}+2z^{-3}+z^{-4}))$   
others: Reserved
- D6 Enable vertical sync. interrupt  
0: Disable  
1: Enable  
The video input vertical sync. signal could cause interrupt when this bit is enabled.
- D7 Clear vertical sync. interrupt  
0: Disable  
1: Enable  
After the vertical sync. caused an interrupt, this bit should be set for clear the interrupt request.

### Video Chroma Key B/Y Low Value Register

- Register Type: Read/Write  
Read/Write Port: 3D5, Index 9Ah  
Default: 00h



D[7:0] Video Chroma B/Y Key Low Bit[7:0]

**Description:**

This register contains the blue or Y video overlay chroma key low value.

In RGB chroma key mode, it is used as the blue byte of the chroma key low value.

In YUV chroma key mode, it is used as the Y of the chroma key low value.

If the value of the video data is greater than or equal to the chroma key low value, and lower than or equal to the chroma key high value, the video data may be replaced graphics data in the way defined by key operation mode.

**Video Chroma Key G/U Low Value Register**

Register Type: Read/Write

Read/Write Port: 3D5, Index 9Bh

Default: 00h

D[7:0] Video Chroma G/U Key Low Bit[7:0]

**Description:**

This register contains the green or U video overlay chroma key low value.

In RGB chroma key mode, it is used as the green byte of the chroma key low value.

In YUV chroma key mode, it is used as the U of the chroma key low value.

If the value of the video data is greater than or equal to the chroma key low value, and lower than or equal to the chroma key high value, the video data may be replaced graphics data in the way defined by key operation mode.

**Video Chroma Key R/V Low Value Register**

Register Type: Read/Write

Read/Write Port: 3D5, Index 9Ch

Default: 00h

D[7:0] Video Chroma R/V Key Low Value Bit[7:0]

**Description:**

This register contains the red or V video overlay chroma key low value.

In RGB chroma key mode, it is used as the red byte of the chroma key low value.

In YUV chroma key mode, it is used as the V of the chroma key low value.

If the value of the video data is greater than or equal to the chroma key low value, and lower than or equal to the chroma key high value, the video data may be replaced graphics data in the way defined by key operation mode.

**Video Control Misc. Register 3**

Register Type: Read/Write

Read/Write Port: 3D5, Index 9Dh

Default: 00h

D7 Enable system memory video frame buffer

0: Disable

1: Enable

The captured frame buffer can be placed on system memory.

But this mode can only be enabled under shared-memory architecture.



D6	Support for Brooktree Bt819A video decoder SPI mode 1 0: Disable 1: Enable
D[5:3]	Reserved
D2	Chroma Key Format selection 0: RGB format 1: YUV format
D1	UV format select for video playback 0: CCIR 601 format 1: 2's complement format
D0	UV format select for video capture 0: CCIR 601 format 1: 2's complement format

### Video Playback Threshold Low Value Register

Register Type: Read/Write  
Read/Write Port: 3D5, Index 9Eh  
Default: 00h

D7	Reserved
D[6:0]	Video playback threshold low Bit[6:0]

#### Description:

This register contains the video line buffer threshold low.

The threshold low defines the video line buffer lower boundary which indicates the line buffer is not enough and the video data should be read from the DRAM.

### Video Playback Threshold High Value Register

Register Type: Read/Write  
Read/Write Port: 3D5, Index 9Fh  
Default: 00h

D7	Reserved
D[6:0]	Video playback threshold high Bit[6:0]

#### Description:

This register contains the video line buffer threshold high.

The threshold high defines the video line buffer upper boundary which indicates the data in the video line buffer is enough.

These two thresholds (video playback threshold low and threshold high) should be modified to get the maximum performance by compromising with the CRT threshold, video capture threshold, and DRAM refresh rate, etc.

### Line Buffer Size Register

Register Type: Read/Write  
Read/Write Port: 3D5, Index A0h  
Default: 00h



D[7:0] Line Buffer Size Bit[7:0]

Description:

This register should be set to the line buffer size used by playback. The size is in unit of quad-word.

**Video Overlay Color Key Blue High Value Register**

Register Type: Read/Write  
Read/Write Port: 3D5, Index A1h  
Default: 00h

D[7:0] Blue Key High Value Bit[7:0]

Description:

This register contains the blue video overlay color key high value.  
In 8-bit color mode, it is used as the color key high value.  
In 16-bit color mode, it is used as the low byte of color key high value.  
In 24-bit color mode, it is used as the blue byte of the color key high value.  
If the value of the graphics data is greater than or equal to the color key low value, and lower than or equal to the color key high value, the graphics data may be replaced by video data in the way defined by key operation mode.

**Video Overlay Color Key Green High Value Register**

Register Type: Read/Write  
Read/Write Port: 3D5, Index A2h  
Default: 00h

D[7:0] Green Key High Value Bit[7:0]

Description:

This register contains the green video overlay color key high value.  
In 8-bit color mode, it is invalid.  
In 16-bit color mode, it is used as the high byte of color key high value.  
In 24-bit color mode, it is used as the green byte of the color key high value.  
If the value of the graphics data is greater than or equal to the color key low value, and lower than or equal to the color key high value, the graphics data may be replaced by video data in the way defined by key operation mode.

**Video Overlay Color Key Red High Value Register**

Register Type: Read/Write  
Read/Write Port: 3D5, Index A3h  
Default: 00h

D[7:0] Red Key High Value Bit[7:0]

Description:

This register contains the red video overlay color key high value.  
In 8-bit color mode, it is invalid.  
In 16-bit color mode, it is invalid.  
In 24-bit color mode, it is used as the red byte of the color key high value.



If the value of the graphics data is greater than or equal to the color key low value, and lower than or equal to the color key high value, the graphics data may be replaced by video data in the way defined by key operation mode.

#### **Video Chroma Key B/Y High Value Register**

Register Type: Read/Write  
Read/Write Port: 3D5, Index A4h  
Default: 00h

D[7:0] Video Chroma B/Y Key High Value Bit[7:0]

##### **Description:**

This register contains the blue or Y video overlay chroma key high value. In RGB chroma key mode, it is used as the blue byte of the chroma key high value. In YUV chroma key mode, it is used as the Y of the chroma key high value. If the value of the video data is the greater than or equal to the chroma key low value, and lower than or equal to the chroma key high value, the video data may be replaced by graphics data in the way defined by key operation mode.

#### **Video Chroma Key G/U High Value Register**

Register Type: Read/Write  
Read/Write Port: 3D5, Index A5h  
Default: 00h

D[7:0] Video Chroma G/U Key High Value Bit[7:0]

##### **Description:**

This register contains the green or U video overlay chroma key high value. In RGB chroma key mode, it is used as the green byte of the chroma key high value. In YUV chroma key mode, it is used as the U of the chroma key high value. If the value of the video data is the greater than or equal to the chroma key low value, and lower than or equal to the chroma key high value, the video data may be replaced by graphics data in the way defined by key operation mode.

#### **Video Chroma Key R/V High Value Register**

Register Type: Read/Write  
Read/Write Port: 3D5, Index A6h  
Default: 00h

D[7:0] Video Chroma R/V Key High Value Bit[7:0]

##### **Description:**

This register contains the red or V video overlay chroma key high value. In RGB chroma key mode, it is used as the red byte of the chroma key high value. In YUV chroma key mode, it is used as the V of the chroma key high value. If the value of the video data is the greater than or equal to the chroma key low value, and lower than or equal to the chroma key high value, the video data may be replaced graphics data in the way defined by key operation mode.



### Graphics Data Alpha Value Register

Register Type: Read/Write  
Read/Write Port: 3D5, Index A7h  
Default: 00h

D[7:0] Graphics Data Alpha Value Bit[7:0]

#### Description:

The pixels of graphics data can be blended by graphics data alpha value, then added with the blended video data to generates blended data. The accuracy of the blending is 3 bits, the 3 MSBs of this register.

### Video Data Alpha Value Register

Register Type: Read/Write  
Read/Write Port: 3D5, Index A8h  
Default: 00h

D[7:0] Video Data Alpha Value Bit[7:0]

#### Description:

The pixels of video data can be blended by video data alpha value, then added with the blended graphics data to generates blended data. The accuracy of the blending is 3 bits, the 3 MSBs of this register.

### Key Overlay Operation Mode Register

Register Type: Read/Write  
Read/Write Port: 3D5, Index A9h  
Default: 00h

D[7:4] Reserved  
D[3:0] Key Overlay Operation Mode Bit[3:0]

#### Description:

There are two keys for graphics data and video data overlay, which are color key and chroma key. The key overlay operation mode indicates the way the overlay would be performed.

Operation Mode	Operation
0000	always select graphics data
0001	select blended data when color key and chroma key, otherwise select graphics data
0010	select blended data when color key and not chroma key, otherwise select graphics data
0011	select blended data when color key, otherwise select graphics data
0100	select blended data when not color key and chroma key, otherwise select graphics data
0101	select blended data when chroma key, otherwise select graphics data



0110	select blended data when color key xor chroma key, otherwise select graphics data
0111	select blended data when color key or chroma key, otherwise select graphics data
1000	select blended data when not color key and not chroma key, otherwise select graphics data
1001	select blended data when color key xnor chroma key, otherwise select graphics data
1010	select blended data when not chroma key, otherwise select graphics data
1011	select blended data when color key or not chroma key, otherwise select graphics data
1100	select blended data when not chroma key, otherwise select graphics data
1101	select blended data when not color key or chroma key, otherwise select graphics data
1110	select blended data when not color key or not chroma key, otherwise select graphics data
1111	always select blended data

### Video Capture Horizontal Start Register

Register Type: Read/Write  
Read/Write Port: 3D5, Index AAh  
Default: 00h

D[7:0] Video Capture Horizontal Start Bit[7:0]

#### Description:

The Video Capture Horizontal Start Bit[10:0] indicate the left boundary of the captured video data. The Bit[10:8] is located in the Video Capture Horizontal Overflow Register (Sec. 0 on page 313, Index AEh). The boundary is counted by the input video data clock. When the signal BLANK# is valid, the video data horizontal counter starts to count.

The video data capture would be started or continued when the video data horizontal counter is equal to or greater than the Video Capture Horizontal Start and the video data vertical counter is equal to or greater than the Video Capture Vertical Start.

The video data capture would be ended when the video data horizontal counter is equal to or greater than the Video Capture Horizontal End or the video data vertical counter is equal to or greater than the Video Capture Vertical End.

**Note:** This register should be set to zero at Brooktree BT819A video decoder SPI mode 2.

### Video Capture Horizontal End Register

Register Type: Read/Write  
Read/Write Port: 3D5, Index ABh  
Default: 00h



D[7:0]            Video Capture Horizontal End Bit[7:0]

Description:

The Video Capture Horizontal End Bit[10:0] indicate the right boundary of the captured video data. The Bit[10:8] is located in the Video Capture Horizontal Overflow Register (Sec. 0 on page 313, Index AEh). The boundary is counted by the input video data clock. When the signal BLANK# is valid, the video data horizontal counter starts to count.

The video data capture would be started or continued when the video data horizontal counter is equal to or greater than the Video Capture Horizontal Start and the video data vertical counter is equal to or greater than the Video Capture Vertical Start.

The video data capture would be ended when the video data horizontal counter is equal to or greater than the Video Capture Horizontal End or the video data vertical counter is equal to or greater than the Video Capture Vertical End.

### Video Capture Vertical Start Register

Register Type:    Read/Write  
Read/Write Port: 3D5, Index ACh  
Default:            00h

D[7:0]            Video Capture Vertical Start Bit[7:0]

Description:

The Video Capture Vertical Start Bit[9:0] indicate the upper boundary of the captured video data. The Bit[9:8] is located in the Video Capture Vertical Overflow Register (Sec. 0 on page 313, Index AFh). The boundary is counted by the input video data clock. In the positive edge of the signal VDVSYNC, the video data vertical counter would be reset and then starts to count.

The video data capture would be started or continued when the video data horizontal counter is equal to or greater than the Video Capture Horizontal Start and the video data vertical counter is equal to or greater than the Video Capture Vertical Start.

The video data capture would be ended when the video data horizontal counter is equal to or greater than the Video Capture Horizontal End or the video data vertical counter is equal to or greater than the Video Capture Vertical End.

### Video Capture Vertical End Register

Register Type:    Read/Write  
Read/Write Port: 3D5, Index ADh  
Default:            00h

D[7:0]            Video Capture Vertical End Bit[7:0]

Description:

The Video Capture Vertical End Bit[9:0] indicate the upper boundary of the captured video data. The Bit[9:8] is located in the Video Capture Vertical Overflow Register (Sec. 5.9.48 on page 313, Index AFh). The boundary is counted by the input video data clock. In the positive edge of the signal VDVSYNC, the video data vertical counter would be reset and then starts to count.





The video data capture would be started or continued when the video data horizontal counter is equal to or greater than the Video Capture Horizontal Start and the video data vertical counter is equal to or greater than the Video Capture Vertical Start.

The video data capture would be ended when the video data horizontal counter is equal to or greater than the Video Capture Horizontal End or the video data vertical counter is equal to or greater than the Video Capture Vertical End.

### Video Capture Horizontal Overflow Register

Register Type:	Read/Write
Read/Write Port:	3D5, Index AEh
Default:	00h
D7	Reserved
D[6:4]	Video Capture Horizontal End Bit[10:8]
D3	Reserved
D[2:0]	Video Capture Horizontal Start Bit[10:8]

### Video Capture Vertical Overflow Register

Register Type:	Read/Write
Read/Write Port:	3D5, Index AFh
Default:	00h
D7	Reserved
D[6:4]	Video Data Input Delay Compensation Bit[2:0] 000: no delay 001: 2ns 010: 4ns 011: 6ns 100: inversed 101: 2ns, inversed 110: 4ns, inversed 111: 6ns, inversed This field is programmed for input video data clock and input video data delay compensation.
D[3:2]	Video Capture Vertical End Bit[9:8]
D[1:0]	Video Capture Vertical Start Bit[9:8]

### System Memory Video Frame Buffer Setting Register 1

Register Type:	Read/Write
Read/Write Port:	3D5, Index B0h
Default:	00h
D[7:4]	System Memory Video Frame Buffer Scrambling Table Register Bit[3:0] This field indicates the type of DRAM which the video frame buffer is located. For detail Scrambling Table, refer to page 14.
D[3:2]	System Memory Video Frame Buffer Row Selection Register Bit[7:0]



	00: Row Address [11:0]=memory address[20:9]
	01: Row Address [11:0]=memory address[21:10]
	10: Row Address [11:0]=memory address[22:11]
	11: Row Address [11:0]=memory address[23:12]
D1	Reserved
D0	Reserved

### System Memory Video Frame Buffer Setting Register 2

Register Type: Read/Write  
Read/Write Port: 3D5, Index B1h  
Default: 00h

D[7:0] System Memory Video Frame Buffer Segment Register Bit[7:0]  
The System Memory Video Frame Buffer Segment Register indicates the location of video frame buffer in one specified bank of DRAM. The unit is 256k in 32-bit DRAM bus. The unit is 512k in 64-bit DRAM bus.

### System Memory Video Frame Buffer Setting Reg. 3 and Video Control Reg.

Register Type: Read/Write  
Read/Write Port: 3D5, Index B2h  
Default: 00h

**D7** **Enable Video Decimation**  
**0: Disable**  
**1: Enable**

D6 Reserved  
D5 Reserved  
D4 Support for Brooktree BT819A video decoder SPI mode 2  
0: Disable  
1: Enable

D3 Reserved  
D2 System Memory Video Frame Buffer DRAM Type Selection  
0: Fast Page DRAM  
1: EDO DRAM

D[1:0] Reserved

Description:  
The value of the System Memory Video Frame Buffer Setting Registers depends on the DRAM type, DRAM bank, and video frame buffer location.

### Contrast Enhancement Mean Value Sampling Rate Factor Register

Register Type: Read/Write  
Read/Write Port: 3D5, Index B3h  
Default: 00h

D[7:0] Contrast Enhancement Mean Value Sampling Rate Factor Bits[7:0]

Description:



The contrast enhancement needs mean value for each frame. This mean is calculated by sampling some pixels from one video frame. The sampling rate = *Contrast Enhancement Mean Value Sampling Rate Factor / 1024*

### Brightness Register

Register Type: Read/Write  
Read/Write Port: 3D5, Index B4h  
Default: 00h

D[7:0] Brightness Bit[7:0]

#### Description:

The Brightness is an 8-bit 2's complement number from -128 to +127. This value is added with the video data to control the brightness.

### Contrast Enhancement Control Register

Register Type: Read/Write  
Read/Write Port: 3D5, Index B5h  
Default: 00h

D[2:0] Contrast Gain Bit[2:0]

000: 1.0  
001: 1.0625  
010: 1.125  
011: 1.1875  
100: 1.25  
101: 1.3125  
110: 1.375  
111: 1.4375

D[5:3] Contrast Mean Frame Samples Bit[2:0]

000: 2 frames  
001: 4 frames  
010: Reserved  
011: 8 frames  
100: Reserved  
101: Reserved  
110: Reserved  
111: 16 frames

D[7:6] Contrast Mean Pixel Samples Bit[1:0]

00: 2048 pixels  
01: 4096 pixels  
10: 8192 pixels  
11: 16384 pixels

### Video Control Misc. Register 4

Register Type: Read/Write  
Read/Write Port: 3D5, Index B6h  
Default: 00h



D[1:0] CPU Writing Video Data Type  
00: RGB 555  
01: YUV 422  
10: RGB 565  
11: Reserved  
D2 Enable YUV 420 mode  
0: Disable  
1: Enable  
D[7:3] Reserved

#### Video U Plane Starting Address Low Register

Register Type: Read/Write  
Read/Write Port: 3D5, Index B7h  
Default: 00h  
D[7:0] Video U Plane Starting Address Low Bits[7:0]

#### Video U Plane Starting Address Middle Register

Register Type: Read/Write  
Read/Write Port: 3D5, Index B8h  
Default: 00h  
D[7:0] Video U Plane Starting Address Low Bits[15:8]

#### Video UV Plane Starting Address High Register

Register Type: Read/Write  
Read/Write Port: 3D5, Index B9h  
Default: 00h  
D[7:4] Video V Plane Starting Address Low Bits[19:16]  
D[3:0] Video U Plane Starting Address Low Bits[19:16]

#### Video V Plane Starting Address Low Register

Register Type: Read/Write  
Read/Write Port: 3D5, Index BAh  
Default: 00h  
D[7:0] Video V Plane Starting Address Low Bits[7:0]

#### Video V Plane Starting Address Low Register

Register Type: Read/Write  
Read/Write Port: 3D5, Index BBh  
Default: 00h  
D[7:0] Video V Plane Starting Address Middle Bit[15:8]



### Video UV Plane Offset Register

Register Type: Read/Write  
Read/Write Port: 3D5, Index BCh  
Default: 00h

D[7:4] Reserved  
D[3:0] Video UV Plane Offset Bit[7:0]

## 6.6.13 PCI Configuration Registers

### Configuration Register 00h

Register Type: Read  
Read Port: 0000h  
Default: 02001039h

D[31:16] Device ID  
SiS integrated VGA controller Device ID is 0200h  
D[15:0] Vendor ID  
Integrated Vendor ID is 1039h

### Configuration Register 04h

Register Type: Read/Write  
Read Port: 0004h  
Default: 02000000h

D[26:25] DEVSEL# timing (= 01, Read Only)  
00: fast  
01: medium (fixed at this value)  
10: slow

D5 VGA Palette Snoop  
0: Disable  
1: Enable

D1 Memory Space  
0: Disable  
1: Enable

D0 I/O Space  
0: Disable  
1: Enable

### Configuration Register 08h

Register Type: Read  
Read Port: 0008h  
Default: 03000065h

D[31:8] Class Code (= 030000h)  
D[7:0] Revision ID (= 65h)



### Configuration Register 10h

Register Type: Read  
Read Port: 0010h  
Default: 00000000h

D[31:0] 32-bit memory base register for 4MB linear frame buffer

### Configuration Register 14h

Register Type: Read  
Read Port: 0014h  
Default: 00000000h

D[31:0] 32-bit memory base register for 64KB memory mapped I/O

### Configuration Register 18h

Register Type: Read  
Read Port: 0018h  
Default: 00000001h

D[31:0] 32-bit I/O base register for 64 I/O space which is for relocated standard VGA I/O port.

### Configuration Register 2Ch

Register Type: Read/Write Once Only  
Read Port: 002Ch  
Default: 00000000h

D[31:16] Subsystem ID  
D[15:0] Subsystem Vendor

### Configuration Register 30h

Register Type: Read/Write  
Read Port: 0030h  
Default: 000C0000h

D[31:11] Expansion ROM Base Address  
D0 ROM Enable Bit  
0: Disable  
1: Enable

### Configuration Register 3Ch

Register Type: Read  
Read Port: 003Ch  
Default: 00000100h

If D3 of SRE is 1, then  
D[15:8] Interrupt Pin (= 01h, Read Only)



D[7:0]            Interrupt Line (= 00h)

If D3 of SRE is 0, then

D[15:8]           Interrupt Pin (= 00h, Read Only)

D[7:0]            Interrupt Line (= 00h)



## 7. Electrical Characteristics

### 7.1 Absolute Maximum Ratings

Parameter	Min.	Max.	Unit
Ambient operation temperature	0	70	°C
Storage temperature	-40	125	°C
Input voltage	-0.3	V <sub>CC</sub> +0.3	V
Output voltage	-0.5	3.3	V

NOTE:

Stress above these listed may cause permanent damage to device. Functional operation of this device should be restricted to the conditions described under operating conditions.

### 7.2 DC Characteristics

**Table 7-1 DC Characteristics**

T<sub>a</sub>= 0 - 70°C, Gnd= 0V, V<sub>CC5</sub>= 5V<sub>±5%</sub>, V<sub>CC</sub>=3.3V<sub>±5%</sub>

Symbol	Parameter	Min	Max	Unit	Notes
V <sub>IL1</sub>	Input Low Voltage	-0.3	0.8	V	Note 1
V <sub>IH1</sub>	Input High Voltage	2.2	V <sub>CC</sub> +0.3	V	
V <sub>T1-</sub>	Schmitt Trigger Threshold			V	Note 2
	Voltage Falling Edge	1.18	1.88		
V <sub>T1+</sub>	Schmitt Trigger Threshold				Note 2
	Voltage Rising Edge	1.63	1.88		
V <sub>H1</sub>	Hysteresis Voltage	0.45		V	Note 2
V <sub>OL2</sub>	Output Low Voltage		0.4	V	
V <sub>OH2</sub>	Output High Voltage	2.0	2.4	V	
I <sub>OL1</sub>	Output Low Current	8		mA	Note 3, 8
I <sub>OH1</sub>	Output High Current	-8		mA	Note 3, 8
I <sub>OL2</sub>	Output Low Current	8, 16		mA	Note 4, 8
I <sub>OH2</sub>	Output High Current	-8, 16		mA	Note 4, 8
I <sub>OL3</sub>	Output Low Current	12, 16		mA	Note 5, 8
I <sub>OH3</sub>	Output High Current	-12, -16		mA	Note 5, 8
I <sub>OL4</sub>	Output Low Current	4, 8		mA	Note 6, 8
I <sub>OH4</sub>	Output High Current	-4, -8		mA	Note 6, 8
I <sub>OL5</sub>	Output Low Current	4		mA	Note 7
I <sub>OH5</sub>	Output high Current	-4		mA	Note 7
I <sub>IH</sub>	Input Leakage Current		-10	µA	
I <sub>IL</sub>	Input Leakage Current		+10	µA	
C <sub>IN</sub>	Input Capacitance		12	pF	Fc=1 Mhz
C <sub>OUT</sub>	Output Capacitance		12	pF	Fc=1 Mhz
C <sub>I/O</sub>	I/O Capacitance		12	pF	Fc=1 Mhz



**NOTE:**

1. The RTC-related ten pins only have 3.3V input tolerance. They are ONCTL#, RING, PWRGD, PSRSTB#, OSCI, OSCO, SWITCH#, PWRBT#, GPIO5, GPIO10.
2.  $V_{T1-}$ ,  $V_{T1+}$  and  $V_{HI}$  are applicable to PWRGD
3.  $I_{OL1}$  and  $I_{OH1}$  are applicable to the following signals: AD[31:0], C/BE[3:0]#, GNT[3:0]#, STOP#, DEVSEL#, TRDY#, IRDY#, FRAME#, PHLDA#, GPO, PAR, PCIRST
4.  $I_{OL2}$  and  $I_{OH2}$  are applicable to the following signals: CAS[7:0]#
5.  $I_{OL3}$  and  $I_{OH3}$  are applicable to the following signals: MA[14:0], RAMW#A/B, SRAS#, SCAS#
6.  $I_{OL4}$  and  $I_{OH4}$  are applicable to the following signals: RAS[3:0]#, ADSC#, ADSV#
7.  $I_{OL5}$  and  $I_{OH5}$  are applicable to the following signals: KRE#, STPCLK#, INIT, SMI#, HA[31:3], W/R#, EADS#, NA#, BRDY#, KEN#, A20M#,BOFF#, CPURST, MD, HD, HBE[7:0]#
8. The driving current is programmed. Please refer to register description.

**7.3 AC Characteristics****Reserved****7.4 DC Characteristics for Integrated VGA Controller**

TA = 0 - 70 °C, VDD = 3 V ± 5 %, GND = 0 V

Symbol	Parameter	Min.	Max.	Unit	Condition
VIL	Input low voltage	-0.5	0.8	V	
VIH	Input high voltage	2.0	VDD + 0.5	V	
VOL	Output low voltage	-	0.45	V	IOL = 4.0 mA
VOH	Output high voltage	2.4	-	V	IOH = -1.0 mA
IIL	Input leakage current	-	± 10	uA	
IOZ	Tristate leakage current	-	± 20	uA	0.45 < VOUT < VDD

**Table 7-2 DC Characteristics for DAC (Analog Output Characteristics)**

Description	Min.	Typ.	Max.	Unit
Black Level	-	0	-	V
White Level	-	660	-	mV
ILE	-1.0	-	+1.0	LSB
DLE	-0.5	-	+0.5	LSB
1 LSB	-	2.625	-	mV
Iref	-	8.40	-	mA



### 7.5 AC Characteristics for Integrated VGA Controller

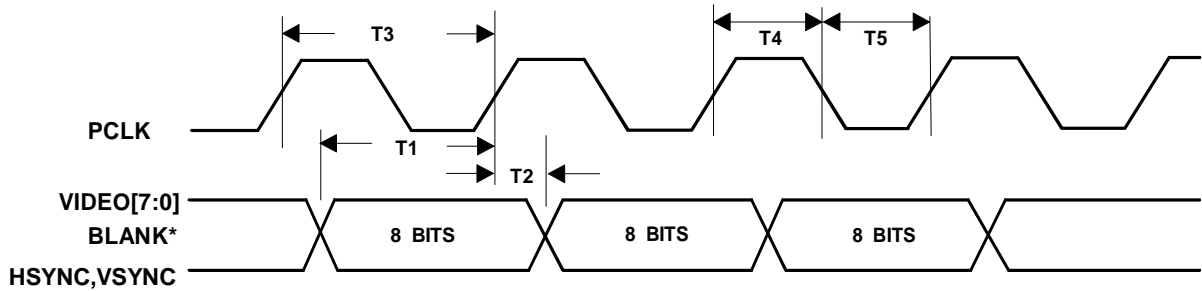


Figure 7-1 Video Timing 4, 8, 24 Bits/Pixel Modes

#### 4,8,16 and 24 BPP Video AC Timing Table

Symbol	Parameter	Min.	Max.	Notes
T <sub>1</sub>	VIDEO[7:0], BLANK#, SYNC Setup Time	10	-	
T <sub>2</sub>	VIDEO[7:0], BLANK#, SYNC Hold Time	2	-	
T <sub>3</sub>	PCLK Period	28	-	
T <sub>4</sub>	PCLK High Time	11	-	
T <sub>5</sub>	PCLK Low Time	11	-	

(Units: ns)

#### AC Characteristics for DAC (Analog Output Characteristics)

Description	Parameter	Condition	Typ.	Max.	Unit
Settling Time	T <sub>sett</sub>	R=37.5 ohm C1=30 pF	-	6	ns



## 8. Thermal Analysis and RTC Power Consumption

### 8.1 Chip Thermal Analysis Without Heat Sink

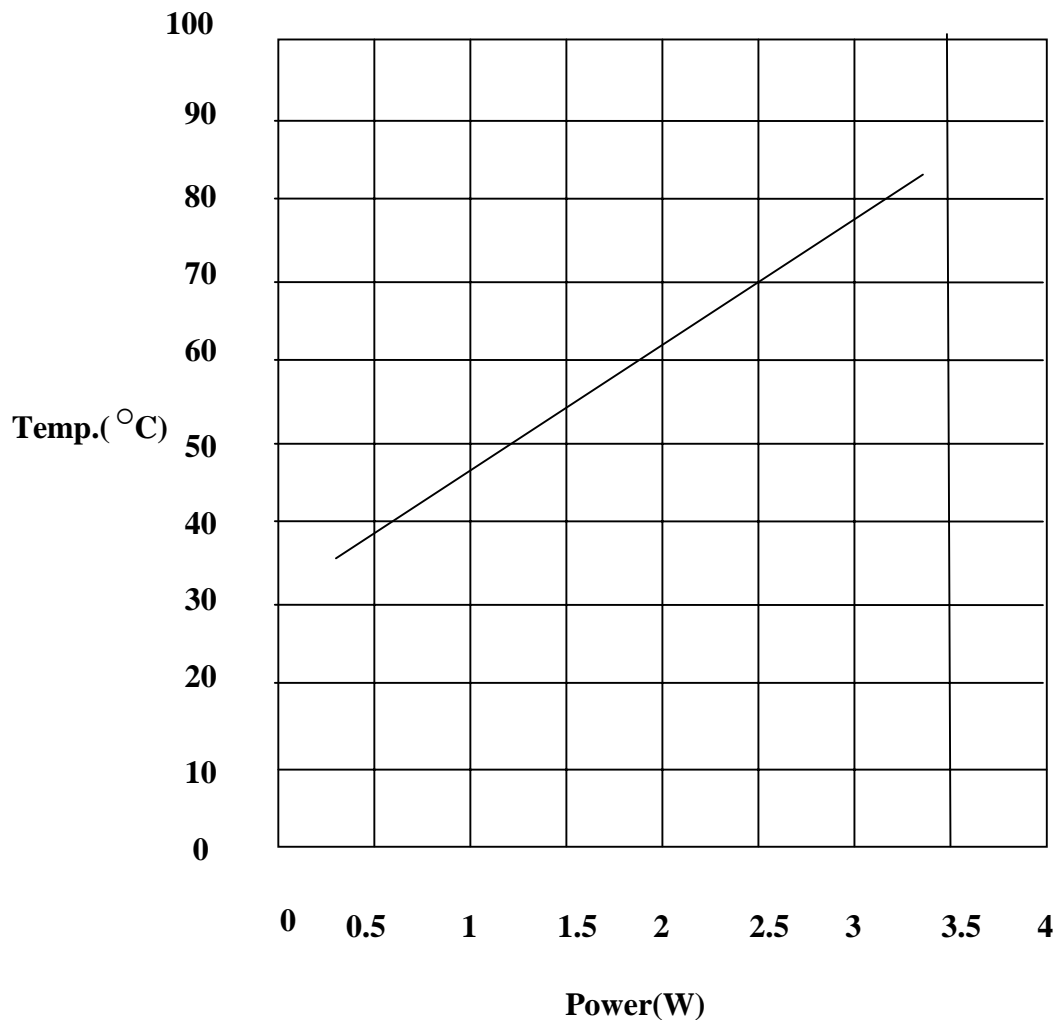
Room Temperature : 25°C

Location of thermal probe : center of the chip

Result :

<b>Temp. (°C)</b>	32.8	38.6	47.4	59	71.6	82.8
<b>Consumed Power (Watt)</b>	0.37	0.84	1.39	2	2.68	3.43

Temp. vs Power



The formula of the characteristics line is

$$\text{Temp.} = 25.27 + 16.9 * \text{Power}(\text{°C})$$



## 8.2 Chip Thermal Analysis with heat sink

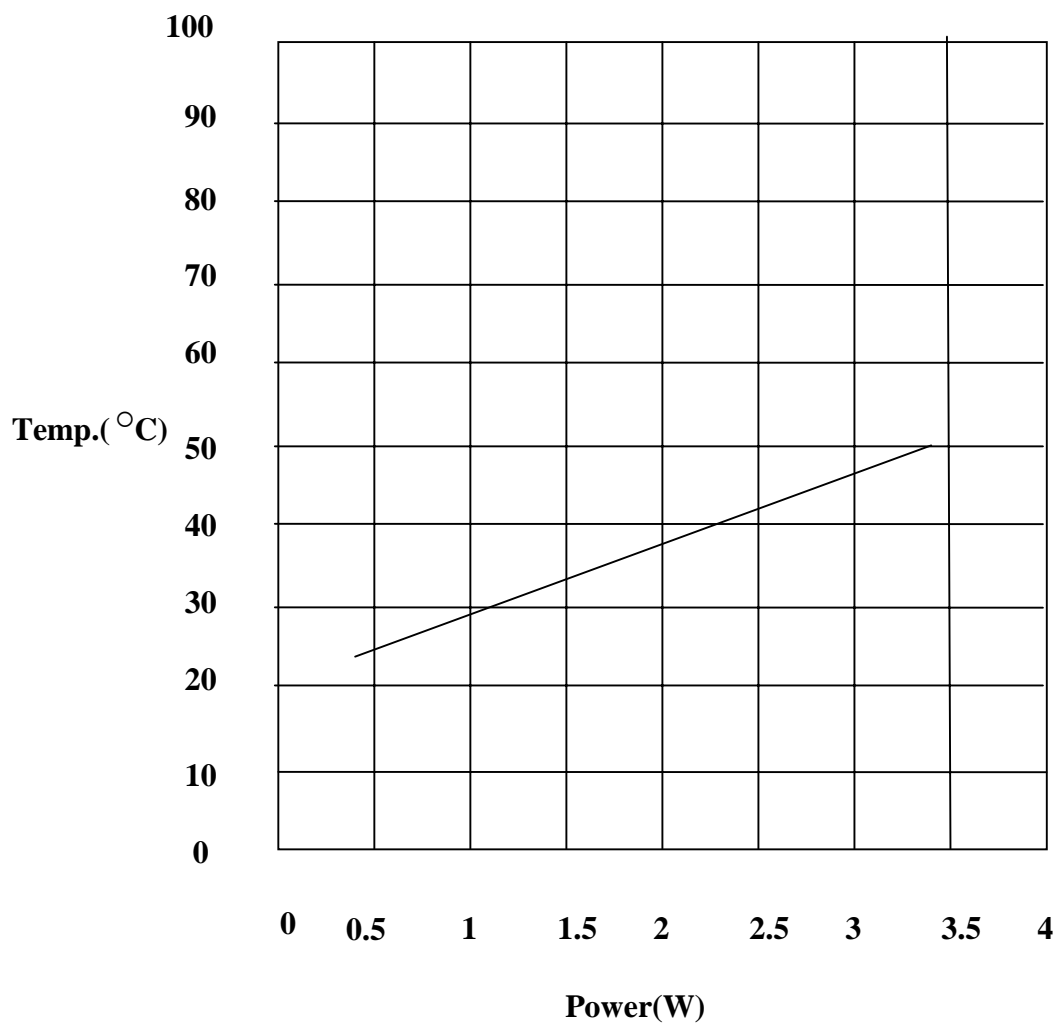
Room Temperature : 22°C

Location of thermal probe : center of the chip

Result :

<b>Temp. (°C)</b>	32.8	38.6	47.4	59	71.6	82.8
<b>Consumed Power (Watt)</b>	0.37	0.84	1.39	2	2.68	3.43

Temp. vs Power



The formula of the characteristics line is

$$\text{Temp.} = 22.13 + 8.06 * \text{Power}(\text{°C})$$



### 8.3 Internal RTC Power Consumption

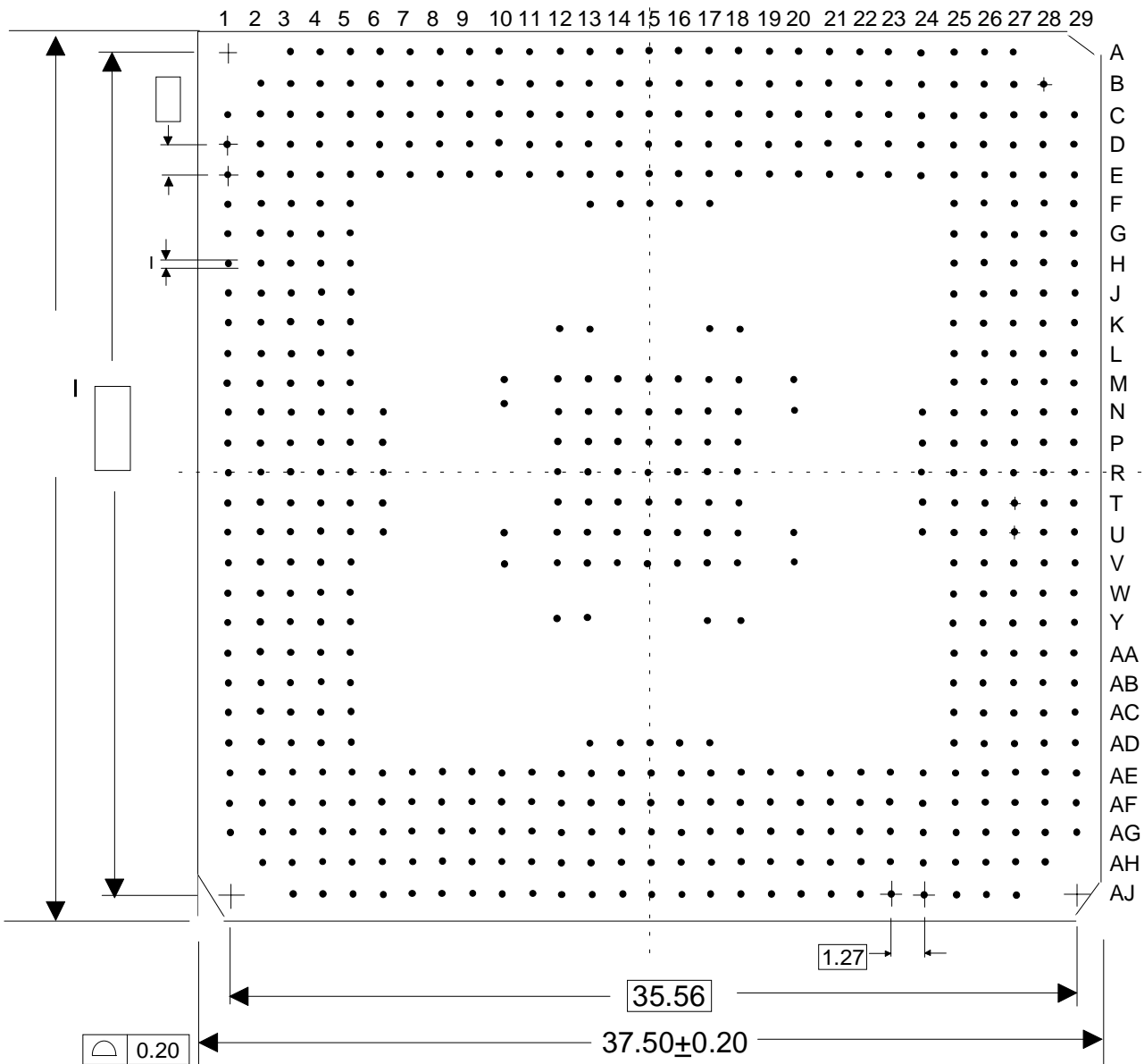
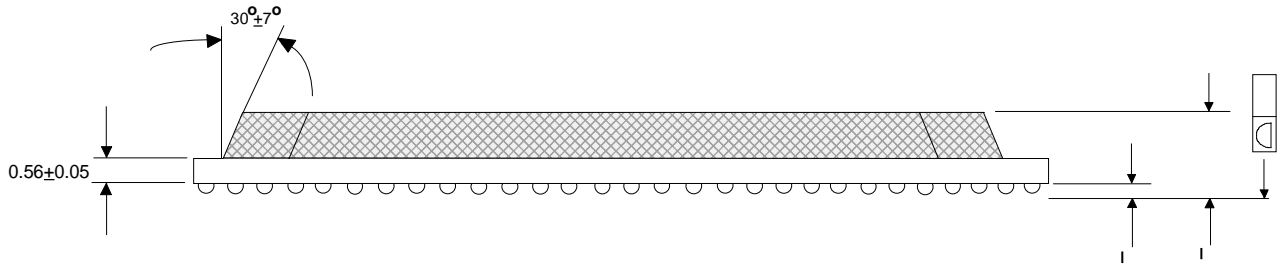
RTCVDD (V)	Operation Current (uA)	Power Consumption (uW)
3.22	5.0	16.1
2.93	4.2	12.31
2.64	3.5	9.24
2.36	2.9	6.84
2.07	2.3	4.76
1.78	1.8	3.2

The minimum operation voltage of internal RTC (RTCVDD) is 2.0V, the recommended operation voltage is 2.2V to 2.7V.



9. Mechanical Dimension (Top view)

(Unit: mm)





## 10. COPYRIGHT NOTICE

COPYRIGHT 1997, Silicon Integrated Systems Corp. ALL RIGHTS RESERVED.

This manual is copyrighted By Silicon Integrated Systems Corp. You may not reproduce, transmit, transcribe, store in a retrieval system, or translate into any language, in any form or by any means, electronic, mechanical, magnetic, optical, chemical, manual, or otherwise, any part of this publication without the express written permission of Silicon Integrated Systems Corp.

### TRADEMARKS

SiS is a registered trademark of Silicon Integrated Systems Corp.

All brand or product names mentioned are trademarks or registered trademarks of their respective holders.

### DISCLAIMER

Silicon Integrated Systems Corp. makes no representations or warranties regarding the contents of this manual. We reserve the right to revise the manual or make changes in the specifications of the product described within it at any time without notice and without obligation to notify any person of such revision or change.

The information contained in this manual is provided for general use by our customers. Our customers should be aware that the personal computer field is the subject of many patents. Our customers should ensure that they take appropriate action so that their use of our products does not infringe upon any patents. It is the policy of Silicon Integrated Systems Corp. To respect the valid patent rights of third parties and not to infringe upon or assist others to infringe upon such rights.

### RESTRICTED RIGHTS LEGEND

Use, duplication, or disclosure by the Government is subject to restrictions set forth in subparagraph (c)(1)(ii) of the Rights in Technical Data and Computer Software clause at 252.277-7013.



## Table of Contents

<b>1. INTRODUCTION .....</b>	<b>1</b>
<b>2. FEATURES .....</b>	<b>2</b>
2.1 Detail Features for Integrated Video/Graphics Accelerator .....	5
2.2 Functional Block Diagram .....	9
<b>3. FUNCTIONAL DESCRIPTION .....</b>	<b>11</b>
3.1 Host Interface .....	11
3.2 Cache Controller .....	11
3.3 DRAM Controller .....	12
3.3.1 DRAM Type .....	12
3.3.2 DRAM Configuration.....	12
3.3.3 DRAM Scramble Table.....	14
3.3.4 DRAM Detection Sequence .....	19
3.3.5 DRAM Performance.....	21
3.3.6 CPU to DRAM Posted Write FIFOs .....	22
3.3.7 32-bit (Half-Populated) DRAM Access .....	22
3.3.8 Arbiter .....	22
3.3.9 Refresh cycle .....	22
3.4 PCI bridge .....	23
3.4.1 Snooping Control .....	23
3.4.2 AHOLD/BOFF# Process and Arbiter Interface .....	23
3.4.3 Target Initiated Termination.....	24
3.4.4 Target Retry.....	24
3.4.5 Disconnect With Data .....	24
3.4.6 Disconnect Without Data .....	25
3.4.7 DATA Flow.....	25
3.4.8 PCI Master Read/Write DRAM Cycle .....	26
3.4.9 PCI Master Write L2 CACHE and DRAM Cycles .....	26
3.4.10 PCI Arbiter .....	27
3.5 Power Management Unit (PMU) .....	30
3.5.1 Legacy PMU Block Diagram .....	30
3.5.2 Time Base Generation Logic.....	30
3.5.3 Timers.....	31
3.5.4 Event Catching Logic .....	31
3.5.5 Output generation Logic.....	32
3.5.6 Operation of Power Management.....	32
3.5.7 Hardware Limitation .....	33





3.6 PCI/ISA System I/O (PSIO).....	33
3.6.1 Functional Description .....	33
3.6.2 ISA Bus Controller .....	34
3.6.3 DMA Controller .....	34
3.6.4 Interrupt Controller.....	35
3.6.5 Timer/Counter .....	38
3.6.6 Integrated Real Time Clock (RTC) .....	39
3.6.7 Auto Power Controller .....	42
3.6.8 Advanced Configuration and Power Interface (ACPI).....	46
3.7 Integrated PCI Master/Slave IDE Controller .....	66
3.8 Delayed Transaction.....	72
3.9 The Architecture of ISA/IDE Multiplexed bus .....	74
3.10 USB Host Controller .....	77
3.11 Integrated Keyboard Controller.....	79
3.12 Integrated VGA Controller.....	82
3.12.1 Host Bus Interface .....	83
3.12.2 Attribute Controller .....	84
3.12.3 CRT Controller.....	84
3.12.4 CRT FIFO.....	84
3.12.5 DDC Controller .....	84
3.12.6 Display Memory Controller.....	84
3.12.7 DPMS .....	84
3.12.8 Dual-Clock Synthesizer.....	84
3.12.9 Graphics Controller .....	84
3.12.10 Graphics Engine .....	85
3.12.11 RAMDAC .....	87
3.12.12 Read-ahead Cache .....	88
3.12.13 Write FIFO .....	88
3.12.14 Bus Interface.....	88
3.12.15 DRAM Support .....	88
3.12.16 Video Memory Data Bus Architecture.....	89
3.12.17 Internal Dual-Clock Synthesizer .....	89
3.12.18 Power Management.....	90
3.12.19 Advanced Configuration and Power Interface Specification (ACPI).....	90
3.12.20 Resolutions Supported.....	91
3.12.21 Turbo Queue.....	91
3.12.22 Video Accelerator.....	92
3.12.23 Video Playback Contrast Enhancement and Brightness Control .....	97
3.12.24 Video CPU Write Data Decimation .....	97



3.12.25 Signature Analysis.....	97
3.12.26 Compatibility.....	98
3.12.27 Software Support.....	98
3.12.28 Mode Table.....	99
3.13 Multiplexed pins .....	103
3.14 Ball Connectivity Testing.....	105
3.14.1 Test Scheme .....	106
3.14.2 Measurements.....	106
<b>4. PIN ASSIGNMENT AND DESCRIPTION .....</b>	<b>112</b>
4.1 SiS5598 Pin Assignment(Top view).....	112
4.2 SiS5597 Pin Assignment(Top view).....	113
4.3 SiS Chip Alphabetical Pin List .....	114
4.4 Pin Description.....	121
4.4.1 Host Bus Interface .....	121
4.4.2 L2 Cache Controller .....	125
4.4.3 DRAM Controller .....	126
4.4.4 PCI Interface.....	129
4.4.5 PCI IDE/ISA Bus Interface .....	131
4.4.6 RTC/KBC.....	135
4.4.7 PMU/ACPI Controller.....	136
4.4.8 USB Controller.....	138
4.4.9 Graphic Controller.....	139
4.4.10 Power Pins.....	140
4.4.11 Misc. Pins .....	140
<b>5. HARDWARE TRAP .....</b>	<b>141</b>
<b>6. REGISTER DESCRIPTION .....</b>	<b>142</b>
6.1 Host to PCI bridge configuration space .....	142
6.2 PCI to ISA Bridge Configuration Space .....	166
6.2.1 Offset Register for ACPI/SCI Base Address Register.....	184
6.3 Non-Configuration Registers .....	195
6.4 PCI IDE Configuration Space .....	201
6.4.1 Offset Registers for PCI Bus Master IDE Control Registers .....	210
6.5 USB Configuration Registers.....	213
6.5.1 USB PCI Configuration Register .....	213
6.5.2 USB OpenHCI Host Controller Operational Register.....	216
6.6 VGA Register Description .....	238
6.6.1 General Registers .....	238



6.6.2 CRT Controller Registers .....	240
6.6.3 Sequencer Registers .....	248
6.6.4 Graphics Controller Registers .....	251
6.6.5 Attribute Controller and Video DAC Registers .....	255
6.6.6 Color Registers .....	258
6.6.7 Integrated VGA Extended Registers .....	259
6.6.8 Graphics Engine Related Registers .....	281
6.6.9 Register Format for General Engine Functions .....	281
6.6.10 Register Format for Line Drawing .....	287
6.6.11 The Register Format for Direct Draw .....	291
6.6.12 Video Accelerator Registers.....	296
6.6.13 PCI Configuration Registers.....	317
<b>7. ELECTRICAL CHARACTERISTICS .....</b>	<b>320</b>
7.1 Absolute Maximum Ratings .....	320
7.2 DC Characteristics .....	320
7.3 AC Characteristics .....	321
7.4 DC Characteristics for Integrated VGA Controller.....	321
7.5 AC Characteristics for Integrated VGA Controller.....	322
<b>8. THERMAL ANALYSIS AND RTC POWER CONSUMPTION .....</b>	<b>323</b>
8.1 Chip Thermal Analysis Without Heat Sink .....	323
8.2 Chip Thermal Analysis with heat sink .....	324
8.3 Internal RTC Power Consumption.....	325
<b>9. MECHANICAL DIMENSION (TOP VIEW).....</b>	<b>326</b>
<b>10. COPYRIGHT NOTICE .....</b>	<b>327</b>