

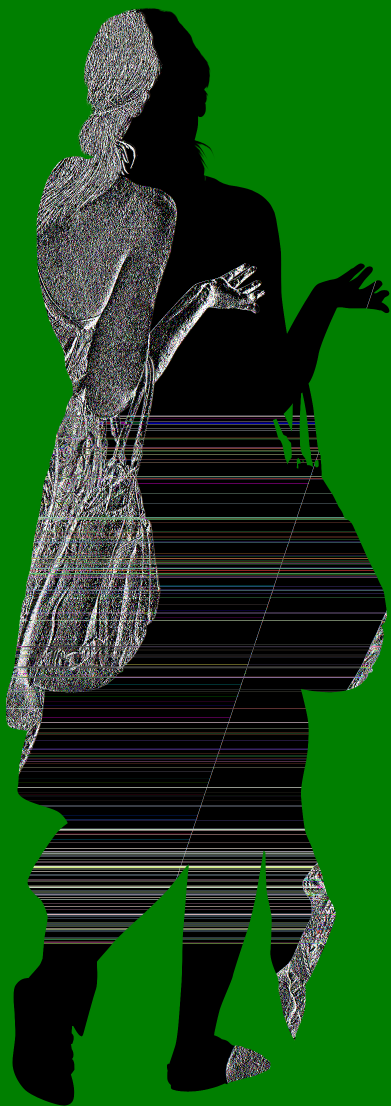
Lorem ipsum etc etc

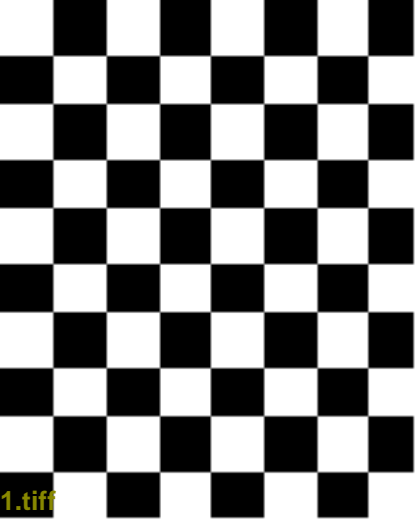
Où allez-vous, monsieur l'abbé¹ ? etc. Savez-vous bien qu'abbé signifie père ? Si vous le devenez, vous rendez service à l'État ; vous faites la meilleure œuvre sans doute que puisse faire un homme ; il naîtra de vous un être pensant. Il y a dans cette action quelque chose de divin.

Mais si vous n'êtes monsieur l'abbé que pour avoir été tonsuré, pour porter un petit collet, un manteau court, et pour attendre un bénéfice simple, vous ne méritez pas le nom d'abbé.

Les anciens moines donnèrent ce nom au supérieur qu'ils élisaient. L'abbé était leur père spirituel. Que les mêmes noms signifient avec le temps des choses différentes ! L'abbé spirituel était un pauvre à la tête de plusieurs autres pauvres : mais les pauvres pères spirituels ont eu depuis deux cents, quatre cent mille livres de rente ; et il y a aujourd'hui des pauvres pères spirituels en Allemagne qui ont un régiment des gardes.

Un pauvre qui a fait serment d'être pauvre, et qui en conséquence est souverain ! on l'a déjà dit ; il faut le redire mille fois, cela est intolérable. Les lois réclament contre cet abus, la religion s'en indigne, et les





1.tiff

THE SLEREXE COMPANY LIMITED

SAPORS LANE - BOOLE - DORSET - BH 25 8 ER

TELEPHONE BOOLE (945 13) 51617 - TELEX 123456

Our Ref. 350/PJC/EAC

18th January, 1972.

Dr. P.N. Cundall,
Mining Surveys Ltd.,
Holroyd Road,
Reading,
Berks.

Dear Pete,

Permit me to introduce you to the facility of facsimile transmission.

In facsimile a photocell is caused to perform a raster scan over the subject copy. The variations of print density on the document cause the photocell to generate an analogous electrical video signal. This signal is used to modulate a carrier, which is transmitted to a remote destination over a radio or cable communications link.

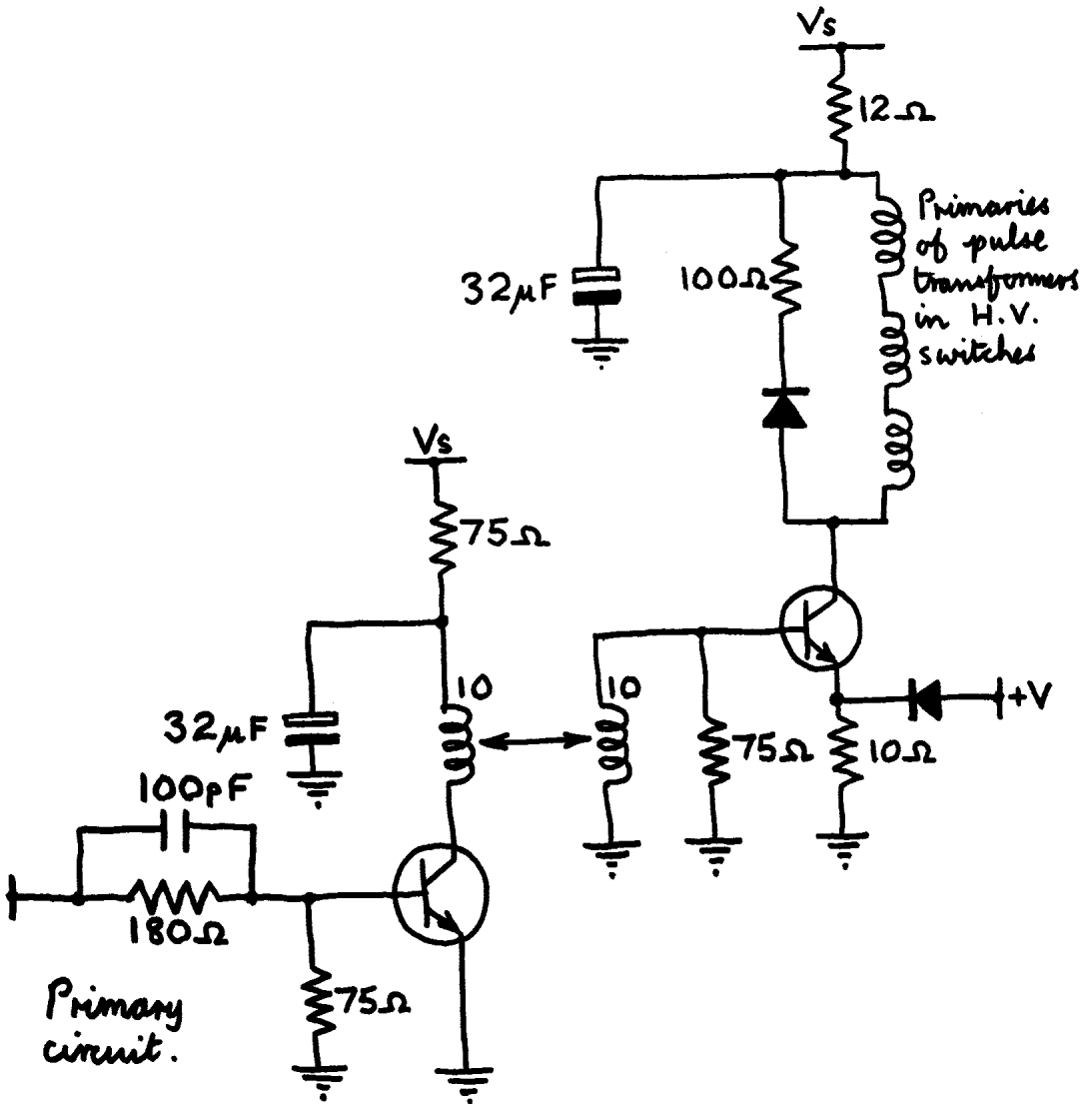
At the remote terminal, demodulation reconstructs the video signal, which is used to modulate the density of print produced by a printing device. This device is scanning in a raster scan synchronised with that at the transmitting terminal. As a result, a facsimile copy of the subject document is produced.

Probably you have uses for this facility in your organisation.

Yours sincerely,



P.J. CROSS
Group Leader - Facsimile Research



This is current driver circuit.

Phil.

22-9-71

ETABLISSEMENTS ABCDEFG
 SOCIÉTÉ ANONYME AU CAPITAL DE 300 000 F
 29, RUE DU XVUTRISTE BL F 08000 NTBCLAG
 Tél. : (35) 24.46.32 Adr. Tg. : NRVLJROLM
 Téléx : 31586 F IN : 718400070257
 Transporteur (ou Transitaire)
 M. M. DUPONT Frères
 8 quai des biofish F 0000 NTBCLAG

Mot directeur			
CLASSEMENT	FACTURE INVOICE	Exemplaire 15	
CODE CLIENT Z 04599	DATE 7-7-74	NUMÉRO 06	FEUILLET 01
Votre commande	du 74-2-Numéro 438		
Notre offre AZ/B7	du 74-1-Numéro 12		

LIVRAISON
 5, rue XYZ
 99000 VILLE

FACTURATION
 12, rue ABCD BP 15
 99000 VILLE

DOMICILIATION BANCAIRE DU VENDEUR

CODE BANQUE	CODE GUICHET	COMPTE CLIENT
ORIGINE	TRANSPORTS DESTINATION	MODE
Pays 1	Etat 2	Air

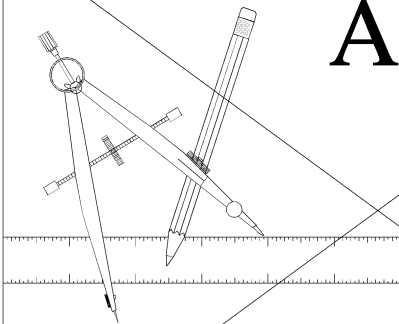
PAYS D'ORIGINE PAYS DE DESTINATION

CONDITIONS DE LIVRAISON	DATE 74-03-03
LICENCE D'EXPORTATION	NATURE DU CONTRAT (monnaie)
CONDITIONS DE PAIEMENT	FAB (échéance, %...)

MARQUES ET NUMÉROS MARKS AND NUMBERS		NOMBRE ET NATURE DES COLIS : DÉNOMINATION DE LA MARCHANDISE NUMBER AND KING OF PACKAGES: DESCRIPTION OF GOODS		NOMEN- CLATURE STATISTICAL No.	MASSE NETTE NET WEIGHT	VALEUR VALUE
QUANTITÉ COMMANDÉE ET UNITÉ QUANTITY ORDERED AND UNIT		DÉSIGNATION		QUANTITÉ LIVRÉE ET UNITÉ QUANTITY DELIVERED AND UNIT	PRIX UNITAIRE UNIT PRICE	MONTANT TOTAL TOTAL AMOUNT
74.21.456.44.2 A		1 Composants		U 123/4	MASSE BRUTE GROSS WEIGHT 5 kg 8 kg	DIMENSIONS MEASURE- MENTS 1400 X 13x10x6
2	AF-809	Circuit intégré		2	104,33 F	208,66 F
10	S8-T4	Connecteur		10	83,10 F	831,00 F
25	ZIO7	Composant indéterminé		20	15,00 F	300,00 F

Coûts	Débours	Inclus	Non inclus
Packing	Emballages		92,14
Freight	Transport		
Insurance	Assurances		
Total invoice amount	Montant total de la facture		1431,80
Installment	Acomptes		
NET TO BE PAID	NET A RÉGLER		1431,80

A

A complex technical form or data sheet. It contains numerous fields, checkboxes, and lines of text, typical of a software configuration or technical specification document. The form is densely packed with information and includes a header with the number '1040'.

Kofax Test Image

Kofax Image Products.
3 Jenner St.
Irvine, CA 92718
TEL: (714)-727-1733
FAX: (714)-727-3144

Kofax test print 30pt Bold Italic

Kofax test print 24pt CGTimes Bold

Kofax test print 18pt CGTimes

Kofax test print 18pt Park Avenue

Kofax test print 12pt CGTimes

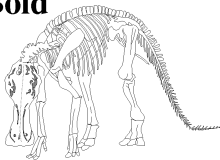
Kofax test print 10pt CGTimes Italic

Kofax test print 8pt Univers

Kofax test print 6pt Univers Italic

Kofax has gone to lengths

This page was created with Aldus PageMaker® and the
Kofax MS-Windows 3.0 QuickPrint Printer Driver.



12 pt

Incidunt nesciunt ratione est fuga ea voluptatem. Ab natus qui perferendis molestiae doloremque. Esse enim repellat est ab ut. Ut ea ut et et. Consequatur sit saepe et non reprehenderit aspernatur ipsum omnis.

Nihil et quis harum est molestiae. Et at ipsam quod veritatis id accusantium quidem itaque. Facilis earum numquam ipsam consequatur et nihil distinctio non.

Repellat alias magni sunt nisi ipsam dolores. Ut ut eius quia maxime est dolorum distinctio. Assumenda libero rerum et itaque dolorum. Explicabo odit explicabo necessitatibus adipisci in voluptatibus. In id voluptatem delectus et aliquam. Consequuntur velit aut occaecati in a.

Praesentium quisquam sint suscipit. Quis dolore eos nisi enim doloribus. Quidem non quo dolor.

Et nisi aut quam explicabo. Non dolore omnis corrupti numquam dolorem sequi aut. Odio veniam quae est. Ullam similique asperiores a aut. Sapiente deleniti totam suscipit.

10 pt

Incidunt nesciunt ratione est fuga ea voluptatem. Ab natus qui perferendis molestiae doloremque. Esse enim repellat est ab ut. Ut ea ut et et. Consequatur sit saepe et non reprehenderit aspernatur ipsum omnis.

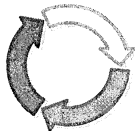
Nihil et quis harum est molestiae. Et at ipsam quod veritatis id accusantium quidem itaque. Facilis earum numquam ipsam consequatur et nihil distinctio non.

Repellat alias magni sunt nisi ipsam dolores. Ut ut eius quia maxime est dolorum distinctio. Assumenda libero rerum et itaque dolorum. Explicabo odit explicabo necessitatibus adipisci in voluptatibus. In id voluptatem delectus et aliquam. Consequuntur velit aut occaecati in a.

Praesentium quisquam sint suscipit. Quis dolore eos nisi enim doloribus. Quidem non quo dolor.

Et nisi aut quam explicabo. Non dolore omnis corrupti numquam dolorem sequi aut. Odio veniam quae est. Ullam similique asperiores a aut. Sapiente deleniti totam suscipit.

5/
3
€
©
Σ
Ω



$$8 \sqrt{E=mc^2 f(x) = \sum_{m=0}^{\infty} \frac{f^{(m)}(0)}{m!} x^m} \sqrt{9} \in 7$$

12 pt

Incidunt nesciunt ratione est fuga ea voluptatem. Ab natus qui perferendis molestiae doloremque. Esse enim repellat est ab ut. Ut ea ut et et. Consequatur sit saepe et non reprehenderit aspernatur ipsum omnis.

Nihil et quis harum est molestiae. Et at ipsam quod veritatis id accusantium quidem itaque. Facilis earum numquam ipsam consequatur et nihil distinctio non.

Repellat alias magni sunt nisi ipsam dolores. Ut ut eius quia maxime est dolorum distinctio. Assumenda libero rerum et itaque dolorum. Explicabo odit explicabo necessitatibus adipisci in voluptatibus. In id voluptatem delectus et aliquam. Consequuntur velit aut occaecati in a.

Praesentium quisquam sint suscipit. Quis dolore eos nisi enim doloribus. Quidem non quo dolor.

Et nisi aut quam explicabo. Non dolore omnis corrupti numquam dolorem sequi aut. Odio veniam quae est. Ullam similique asperiores a aut. Sapiente deleniti totam suscipit.

10 pt

Incidunt nesciunt ratione est fuga ea voluptatem. Ab natus qui perferendis molestiae doloremque. Esse enim repellat est ab ut. Ut ea ut et et. Consequatur sit saepe et non reprehenderit aspernatur ipsum omnis.

Nihil et quis harum est molestiae. Et at ipsam quod veritatis id accusantium quidem itaque. Facilis earum numquam ipsam consequatur et nihil distinctio non.

Repellat alias magni sunt nisi ipsam dolores. Ut ut eius quia maxime est dolorum distinctio. Assumenda libero rerum et itaque dolorum. Explicabo odit explicabo necessitatibus adipisci in voluptatibus. In id voluptatem delectus et aliquam. Consequuntur velit aut occaecati in a.

Praesentium quisquam sint suscipit. Quis dolore eos nisi enim doloribus. Quidem non quo dolor.

Et nisi aut quam explicabo. Non dolore omnis corrupti numquam dolorem sequi aut. Odio veniam quae est. Ullam similique asperiores a aut. Sapiente deleniti totam suscipit.

5/
3
€
©
Σ
Ω



$$8 \sqrt{E=mc^2 f(x) = \sum_{m=0}^{\infty} \frac{f^{(m)}(0)}{m!} x^m} \sqrt{9} \in 7$$

Passive Activity Loss Limitations

Department of the Treasury
Internal Revenue Service (99)

^a See separate instructions.
^a Attach to Form 1040 or Form 1041.

Name(s) shown on return
MARTIN KRAFFT

Identifying number
948-73-0851

Part I 2011 Passive Activity Loss

Caution: Complete Worksheets 1, 2, and 3 before completing Part I.

Rental Real Estate Activities With Active Participation (For the definition of active participation, see Special Allowance for Rental Real Estate Activities in the instructions.)			
1a Activities with net income (enter the amount from Worksheet 1, column (a))	1a		
b Activities with net loss (enter the amount from Worksheet 1, column (b))	1b ()
c Prior years unallowed losses (enter the amount from Worksheet 1, column (c))	1c ()
d Combine lines 1a, 1b, and 1c		1d	
Commercial Revitalization Deductions From Rental Real Estate Activities			
2a Commercial revitalization deductions from Worksheet 2, column (a)	2a ()
b Prior year unallowed commercial revitalization deductions from Worksheet 2, column (b)	2b ()
c Add lines 2a and 2b		2c ()
All Other Passive Activities			
3a Activities with net income (enter the amount from Worksheet 3, column (a))	3a	15,108	
b Activities with net loss (enter the amount from Worksheet 3, column (b))	3b (1,178)
c Prior years unallowed losses (enter the amount from Worksheet 3, column (c))	3c ()
d Combine lines 3a, 3b, and 3c		3d	13,930
4 Combine lines 1d, 2c, and 3d. If this line is zero or more, stop here and include this form with your return; all losses are allowed, including any prior year unallowed losses entered on line 1c, 2b, or 3c. Report the losses on the forms and schedules normally used		4	13,930

- If line 4 is a loss and:
- Line 1d is a loss, go to Part II.
 - Line 2c is a loss (and line 1d is zero or more), skip Part II and go to Part III.
 - Line 3d is a loss (and lines 1d and 2c are zero or more), skip Parts II and III and go to line 15.

Caution: If your filing status is married filing separately and you lived with your spouse at any time during the year, **do not** complete Part II or Part III. Instead, go to line 15.

Part II Special Allowance for Rental Real Estate Activities With Active Participation

Note: Enter all numbers in Part II as positive amounts. See instructions for an example.

5 Enter the smaller of the loss on line 1d or the loss on line 4	5	
6 Enter \$150,000. If married filing separately, see instructions	6	
7 Enter modified adjusted gross income, but not less than zero (see instructions)	7	
Note: If line 7 is greater than or equal to line 6, skip lines 8 and 9, enter -0- on line 10. Otherwise, go to line 8.		
8 Subtract line 7 from line 6	8	
9 Multiply line 8 by 50% (.5). Do not enter more than \$25,000. If married filing separately, see instructions	9	
10 Enter the smaller of line 5 or line 9	10	

If line 2c is a loss, go to Part III. Otherwise, go to line 15.

Part III Special Allowance for Commercial Revitalization Deductions From Rental Real Estate Activities

Note: Enter all numbers in Part III as positive amounts. See the example for Part II in the instructions.

11 Enter \$25,000 reduced by the amount, if any, on line 10. If married filing separately, see instructions	11	
12 Enter the loss from line 4	12	
13 Reduce line 12 by the amount on line 10	13	
14 Enter the smallest of line 2c (treated as a positive amount), line 11, or line 13	14	

Part IV Total Losses Allowed

15 Add the income, if any, on lines 1a and 3a and enter the total	15	
16 Total losses allowed from all passive activities for 2011. Add lines 10, 14, and 15. See instructions to find out how to report the losses on your tax return	16	

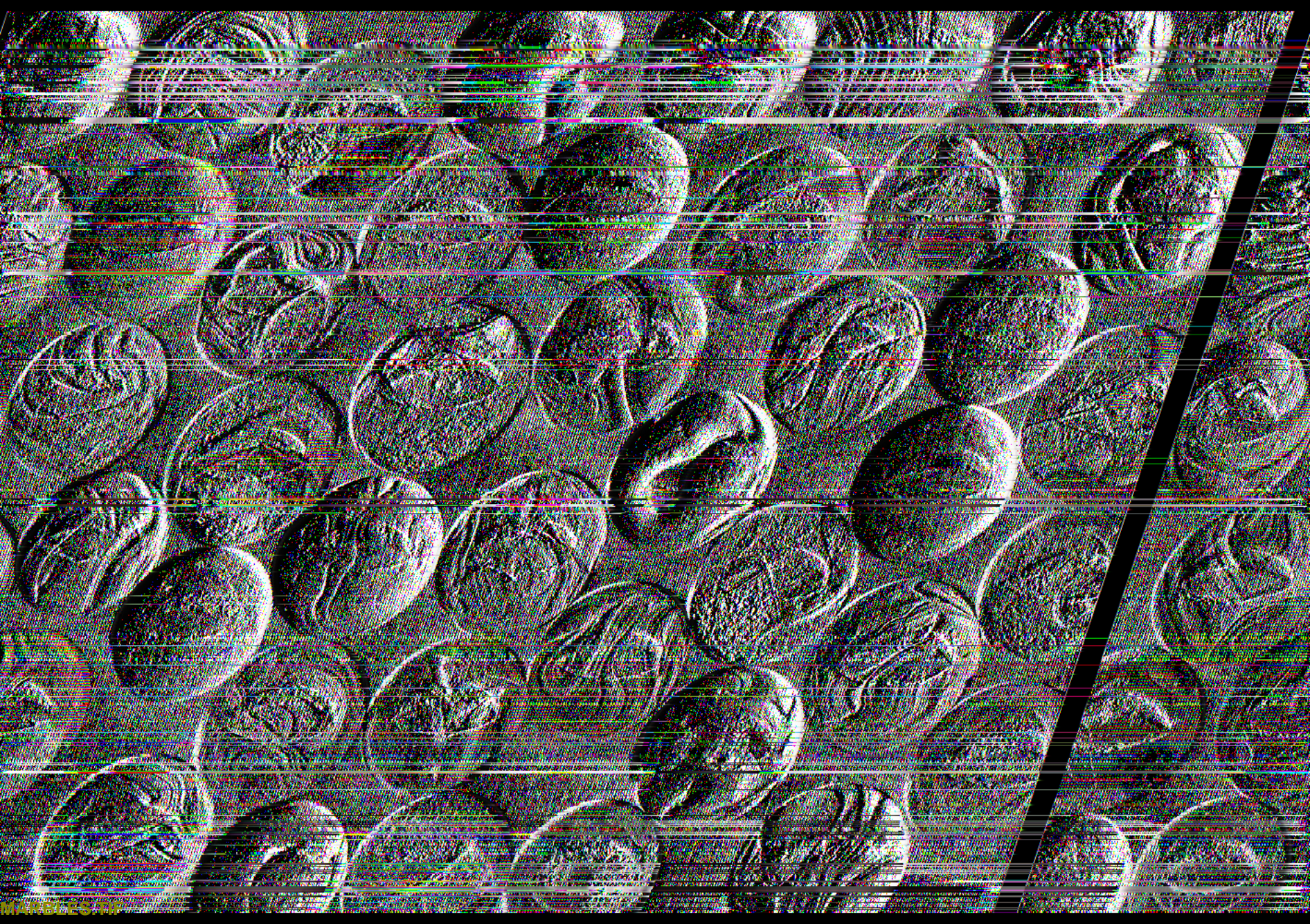
First system of a piano score. The right hand features a continuous eighth-note melody with a descending contour. The left hand provides a steady accompaniment of quarter notes. The key signature is one sharp (F#).

Second system of the piano score. It includes dynamic markings: *dim.* (diminuendo), *p* (piano), and *f marc. espr.* (forzando marcato, espressivo). The right hand continues with eighth-note patterns, while the left hand has some rests. The system concludes with a double bar line and a repeat sign.

Third system of the piano score. The right hand has a melodic line with some accidentals. The left hand features a rhythmic pattern of quarter notes. A first ending bracket labeled "1. H." spans the final two measures of the system.

Fourth system of the piano score. It features dynamic markings: *p* (piano), *f* (forte), and *mf* (mezzo-forte). The right hand has a melodic line with a crescendo hairpin. The left hand has a bass line with some rests. A first ending bracket labeled "1. H." is present. The system ends with a double bar line and a repeat sign.

Fifth system of the piano score. It includes dynamic markings: *cresc.* (crescendo), *steigernd* (steigernd), *f* (forte), and *ff* (fortissimo). The right hand has a melodic line with a crescendo hairpin. The left hand has a bass line with some rests. The system ends with a double bar line and a repeat sign.





caution.tif

December

SS

Tuesday



Rhythm Of Our Island

December 22, 2022 at 10am to December 23, 2022 at 4pm -- Parliament House, Brisbane

6 Artists from Moreton Bay and Karragarras including: Michaeline Hoshino, Karen Fisher, John Michelson, David Wells, Ann Hougher, Susan Graham

Organised by Michaeline Hoshino | Type: art, exhibition

View items not responded.

art (44)

concert (30)

workshop (25)

music (13)

[View All](#)

August 2023

S M T W T F S

1 2 3

4 5 6 7 8 9 10

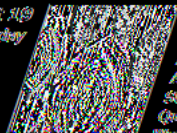
11 12 13 14 15 16 17

18 19 20 21 22 23 24

25 26 27 28 29 30 31

August 19

Monday



State of the Art 23: Queensland Quills Art Quills

August 29, 2022 to September 26, 2022 -- Redland Art Gallery, Capalaba

State of the Art 23 is the annual juried exhibition of the Queensland Quills Art Quills group. Selected by Lisa Whelan, a nationally and internationally renowned quilt maker artist, the art quills...

Organised by Redland Art Gallery | Type: exhibition

September 2023

S M T W T F S

1 2 3 4 5 6 7

8 9 10 11 12 13 14

15 16 17 18 19 20 21

22 23 24 25 26 27 28

29 30

August

Tuesday

20

day



events.tiff

