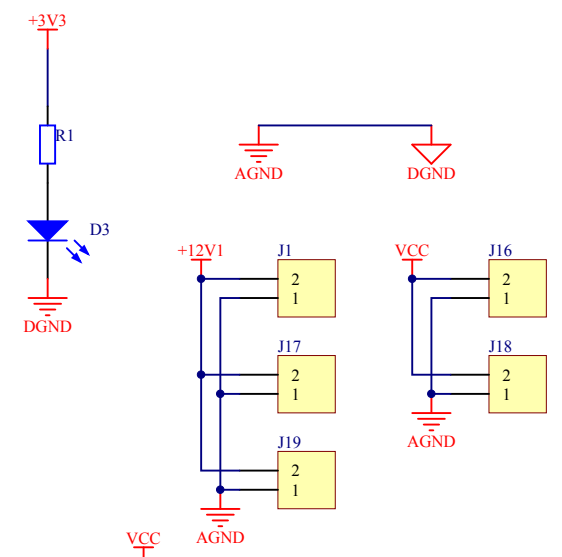


$R5=226K \quad V_{OUT}=5.23V$

$V_{OUT} = 0.8V \times (R5 + R22) / R22$
 $R2=220K, R22=40.2K, V=5.2V$
 $R2=210K, R22=40.2K, V=5V$



VCC 5.20V

