

1

2

3

4

5

6

A

A

B

B

C

C

D

D

1

2

3

4

5

6

POWER

TPS e-paper power supply
+ pull down resistors
and protection diodes

File: POWER.kicad_sch

CTRL & COMS

USB-C, Battery conection, USB to UART,
Voltage Regulator,
ON/OFF circuit,
PWR LED, Battery charger,
Reset circuitry

File: CTRL & COMS.kicad_sch

SD_RTC_GPIO

SD card, RTC &
WakeUp Button

File: SD_RTC_GPIO.kicad_sch
MCU

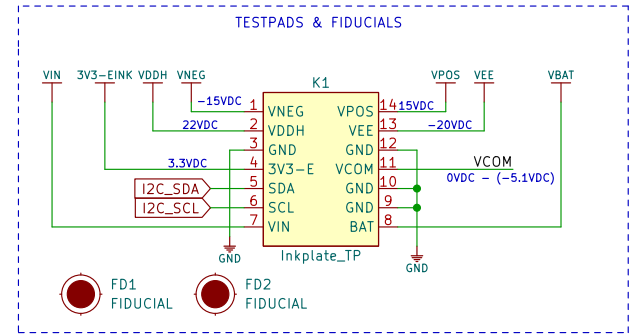
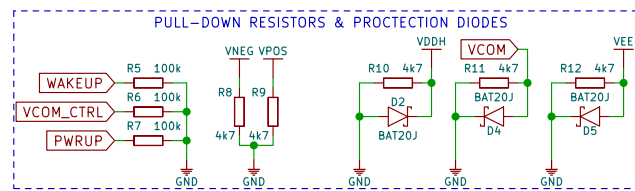
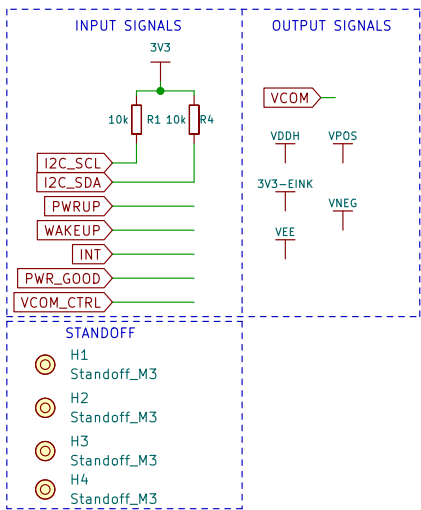
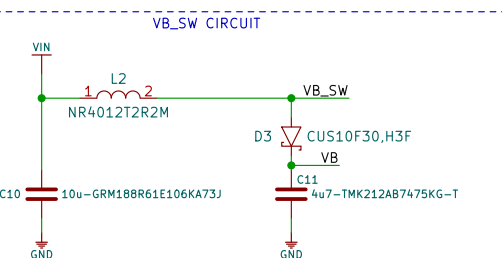
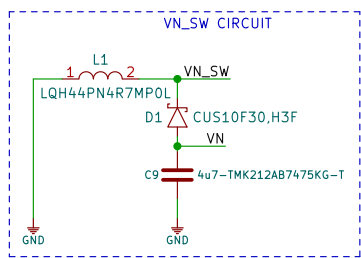
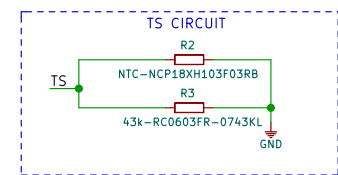
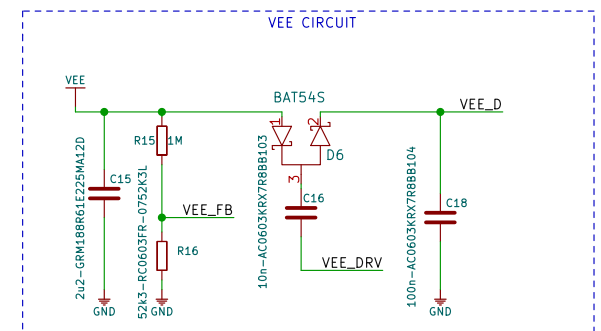
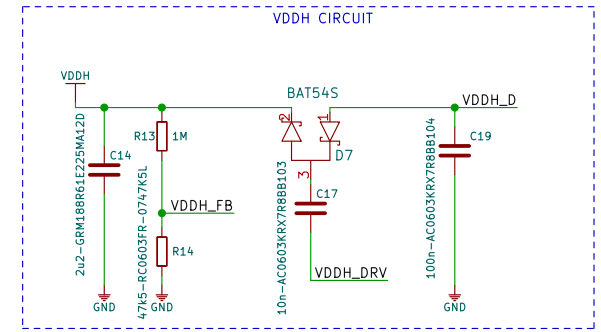
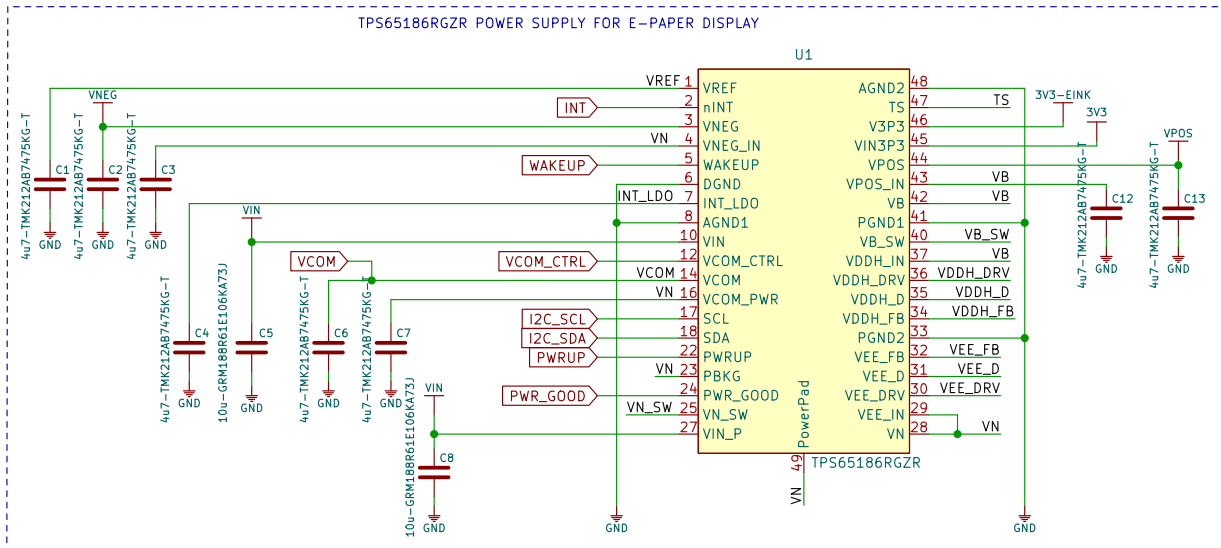
E-paper

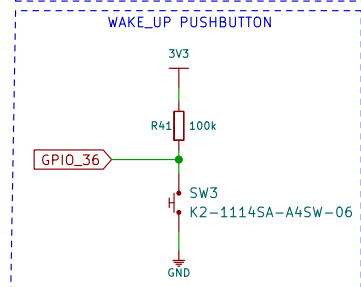
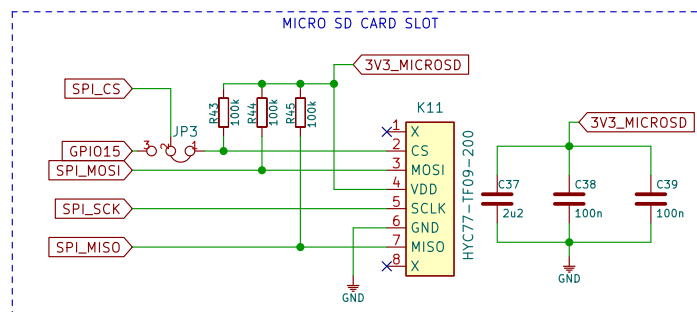
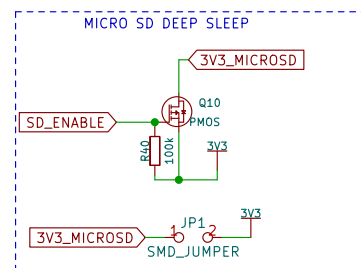
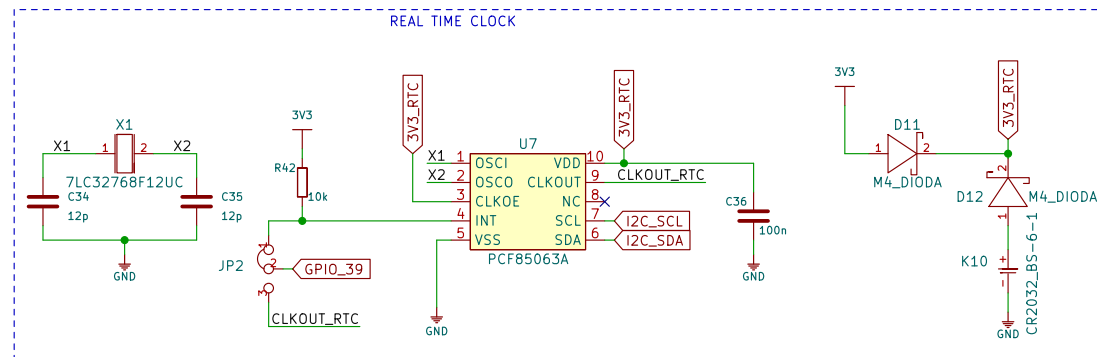
E-paper panel

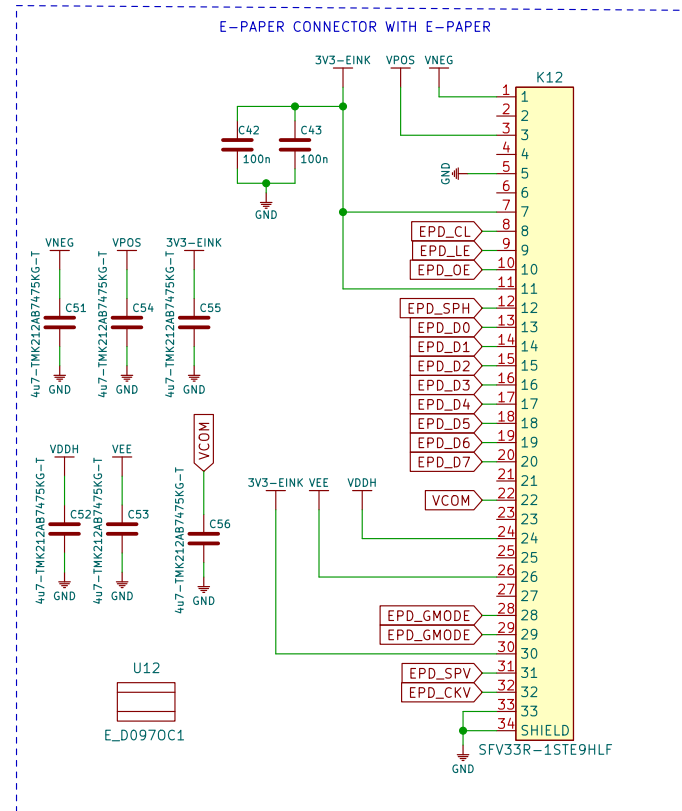
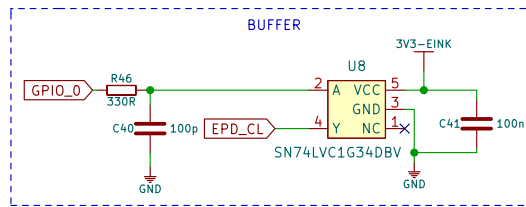
File: E-paper.kicad_sch

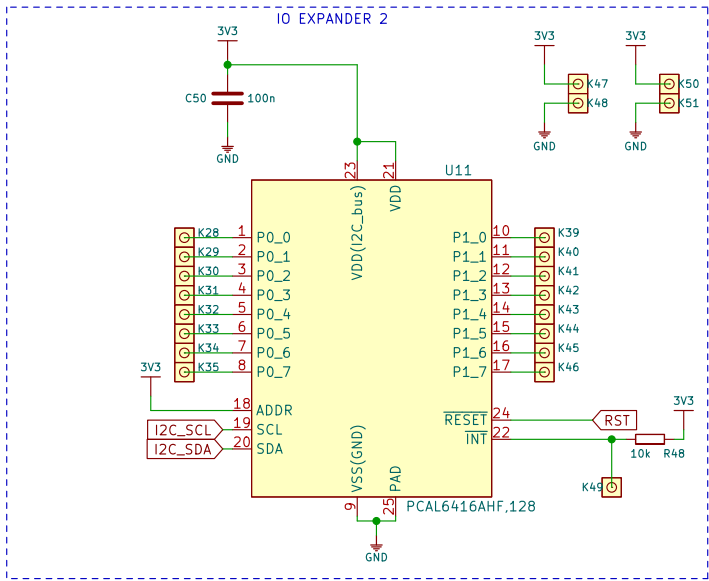
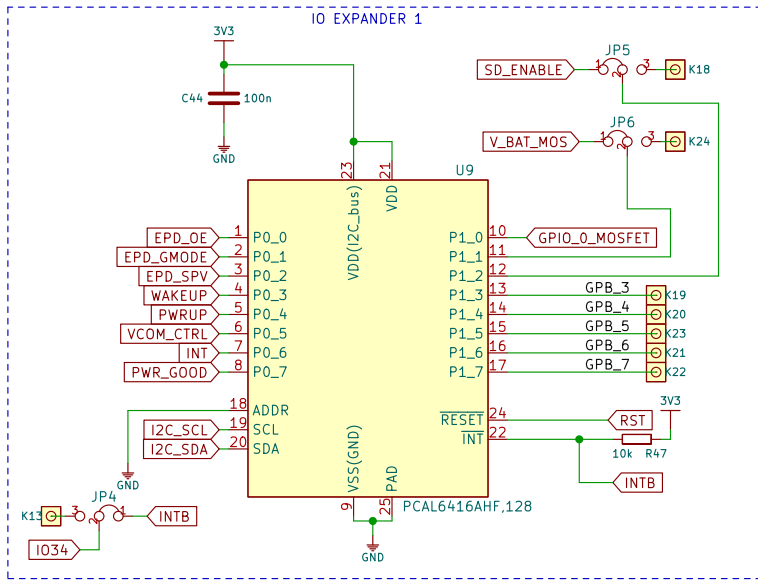
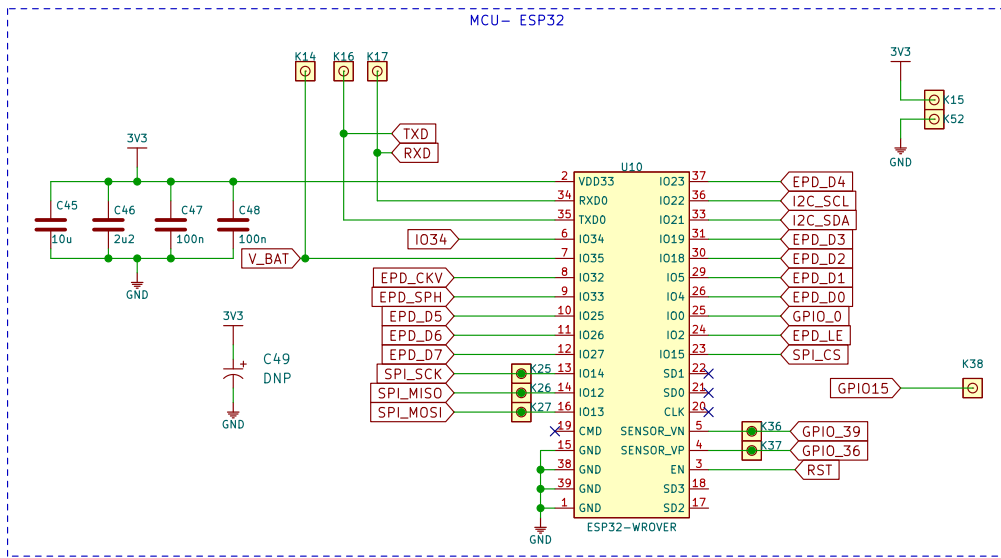
Micro Controller
and GPIO expander

File: MCU.kicad_sch









Soldered Inkplate 10

