

1

2

3

4

5

6

A

A

B

B

C

C

D

D

POWER

TPS e-paper power supply  
+ pull down resistors  
and protection diodes

File: POWER.kicad\_sch

CTRL & COMS

USB-C, Battery conection, USB to UART,  
Voltage Regulator,  
ON/OFF circuit,  
PWR LED, Battery charger,  
Reset circuitry

File: CTRL&COMS.kicad\_sch

SD\_RTC\_GPIO

SD card, RTC &  
WakeUp Button

File: SD\_RTC\_GPIO.kicad\_sch

Connector

E-paper panel connector with capacitors  
and pull-up/pull-down resistors

File: Connector.kicad\_sch

MCU

Micro Controller  
and GPIO expander

File: MCU.kicad\_sch

1

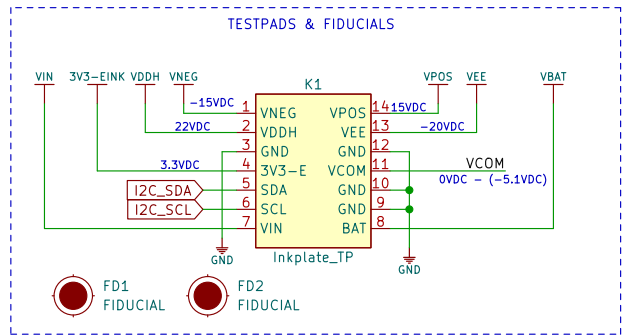
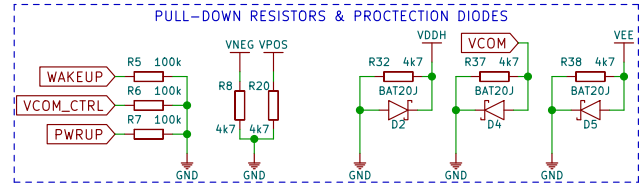
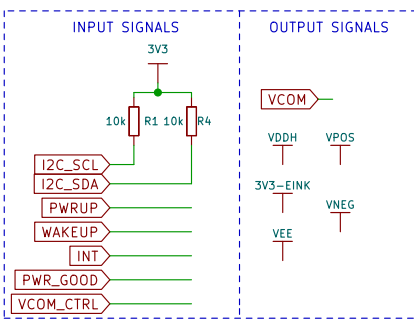
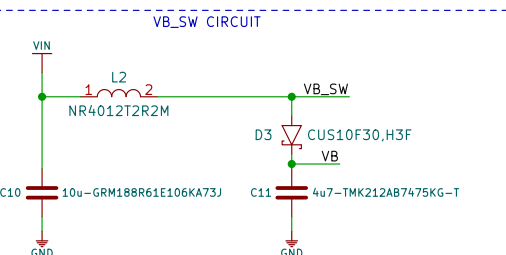
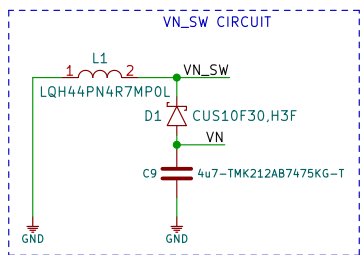
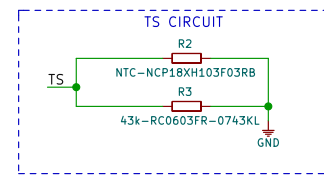
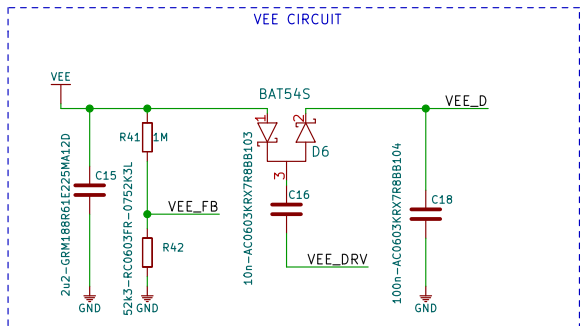
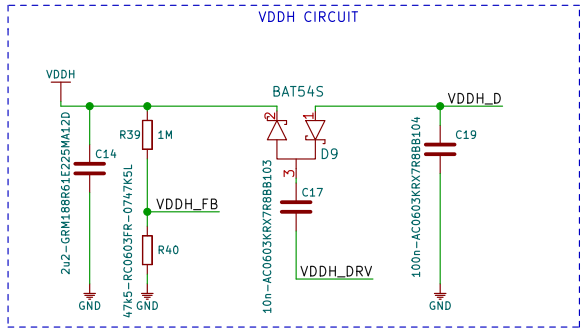
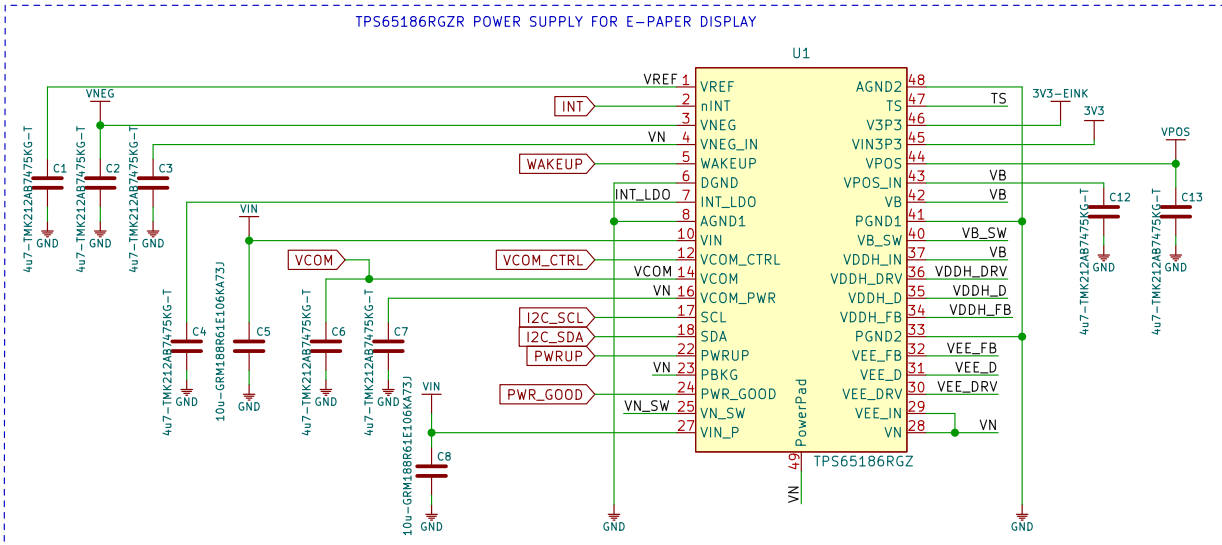
2

3

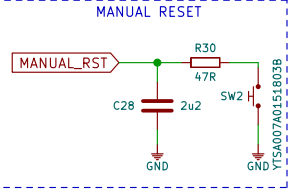
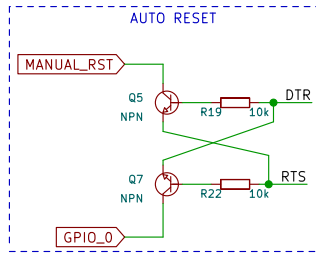
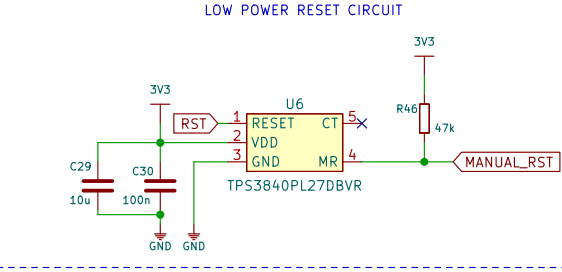
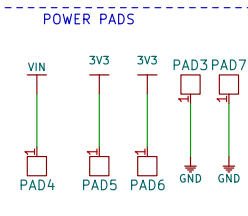
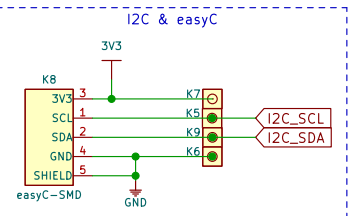
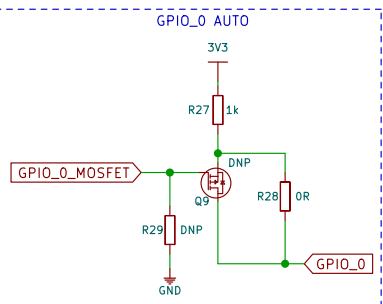
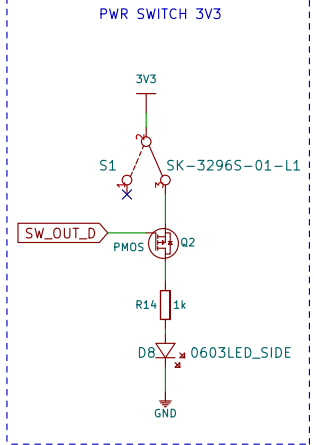
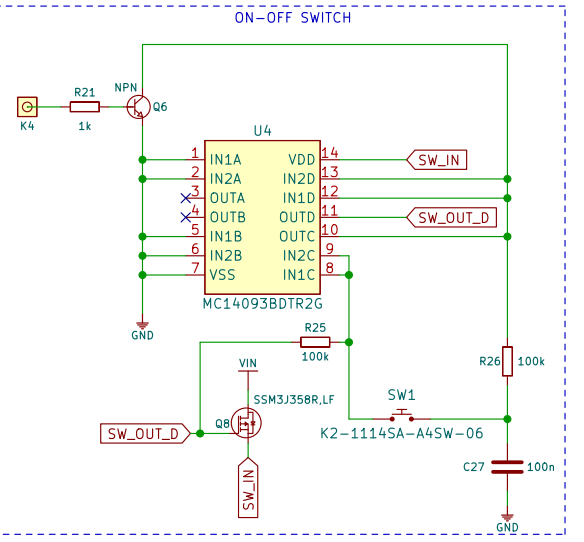
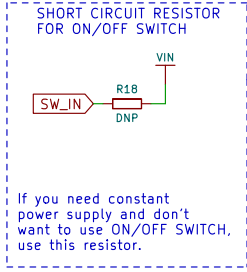
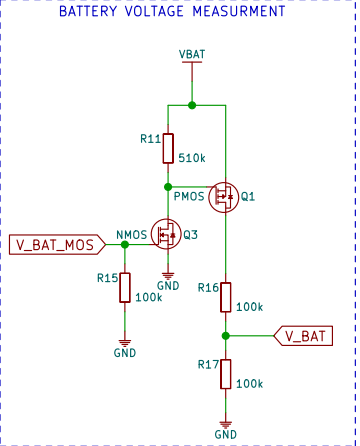
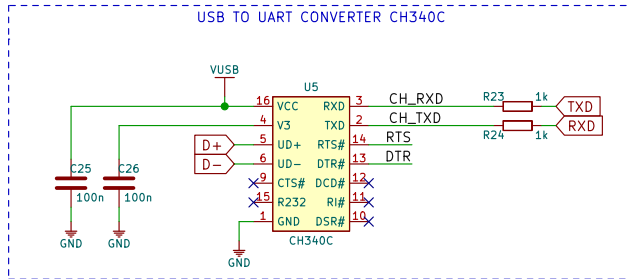
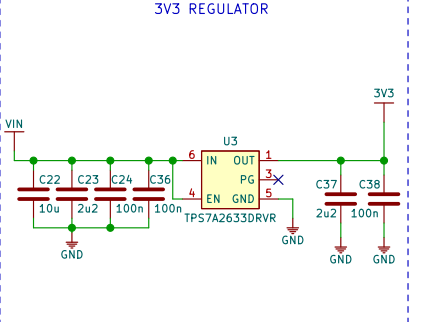
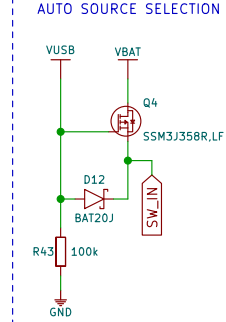
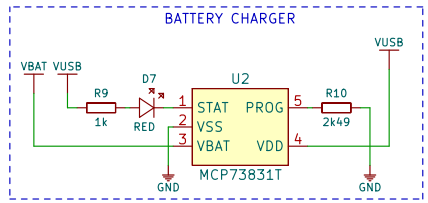
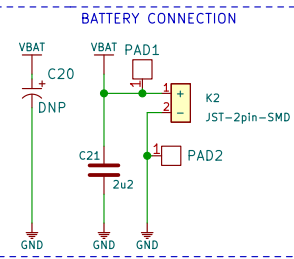
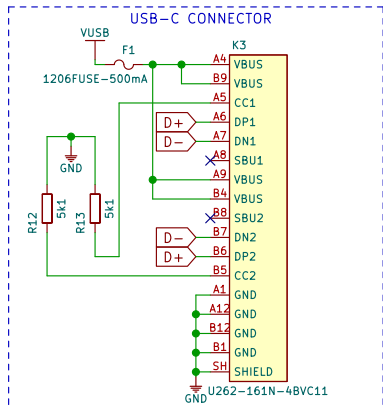
4

5

6



- ### STANDOFF
- H1 Standoff\_M3
  - H2 Standoff\_M3
  - H3 Standoff\_M3
  - H4 Standoff\_M3



Need help? [support.soldered.com](http://support.soldered.com) Store: [soldered.com](http://soldered.com) Custom PCBs: [pcb.soldered.com](http://pcb.soldered.com) Learn: [blog.soldered.com](http://blog.soldered.com)

# Soldered Inkplate 6



