

1

2

3

4

5

6

A

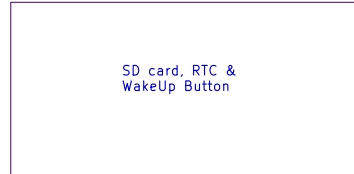
A

MCU



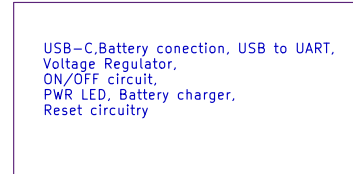
File: MCU.kicad\_sch

SD\_RTC



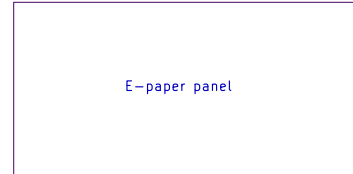
File: SD\_RTC.kicad\_sch

CTRL & COMS



File: CTRL & COMS.kicad\_sch

E-paper



File: E-paper.kicad\_sch

B

B

C

C

D

D

1

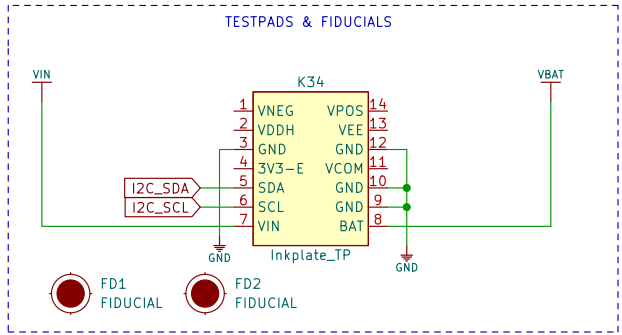
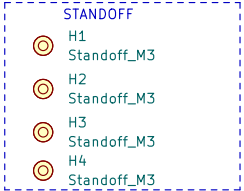
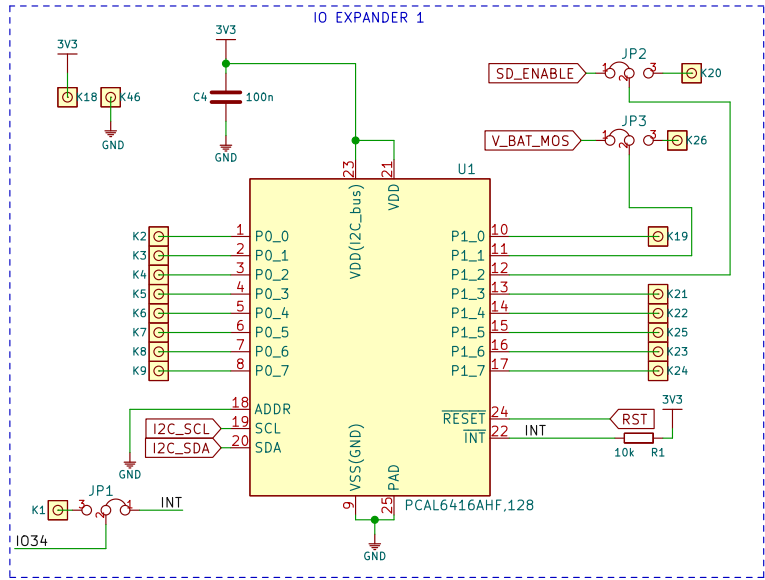
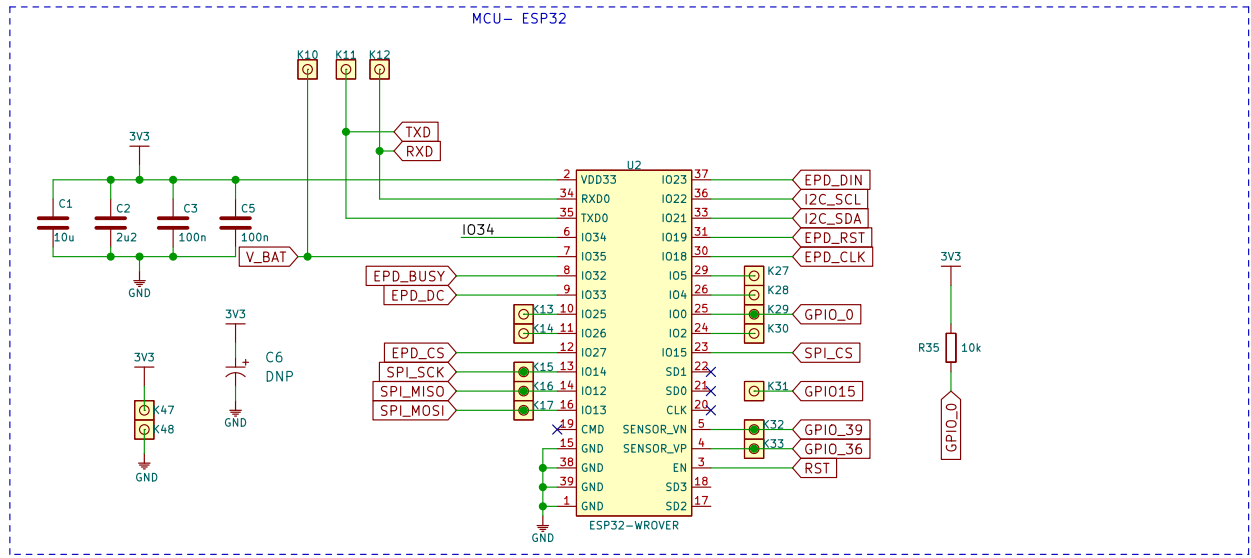
2

3

4

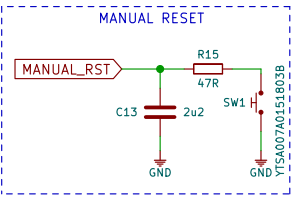
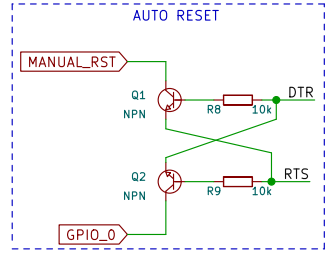
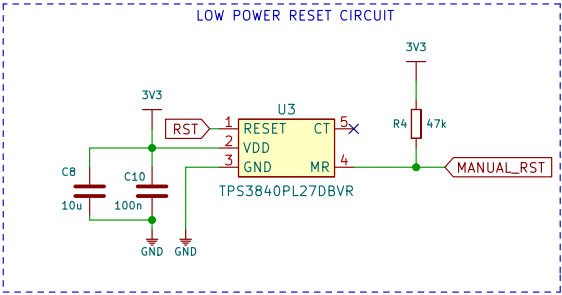
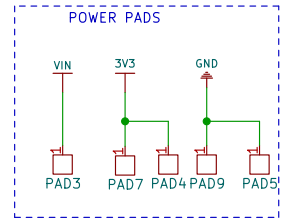
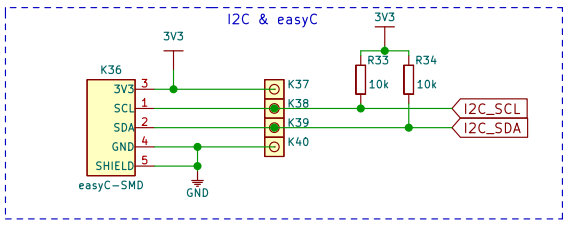
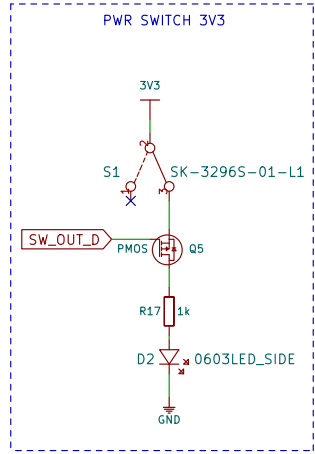
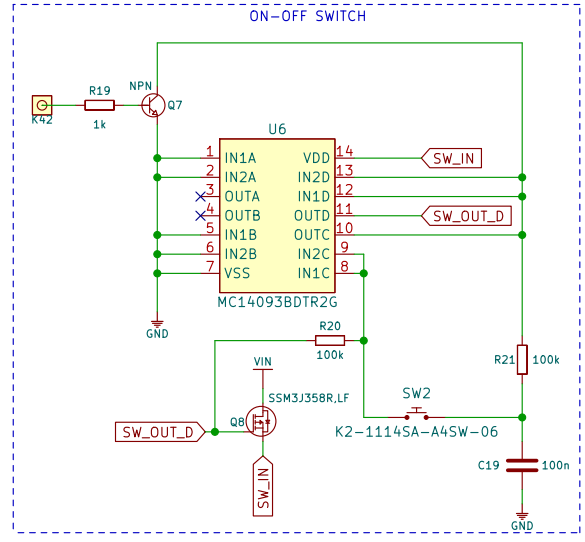
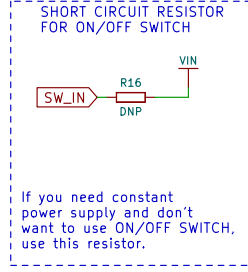
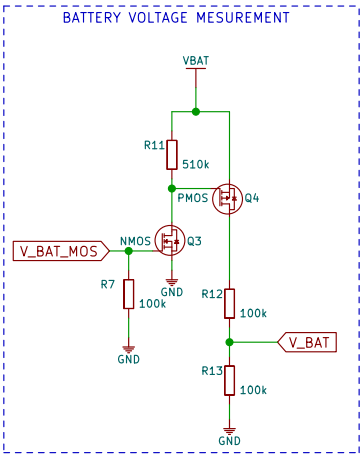
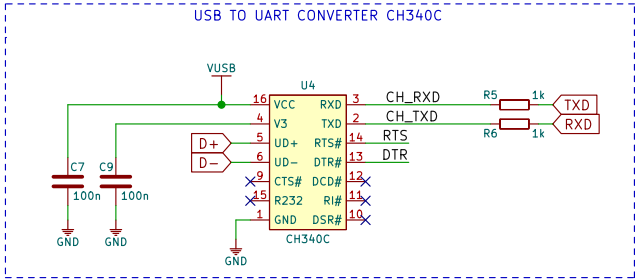
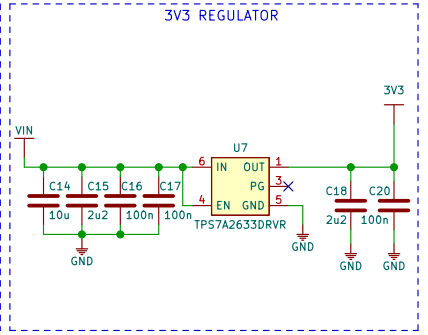
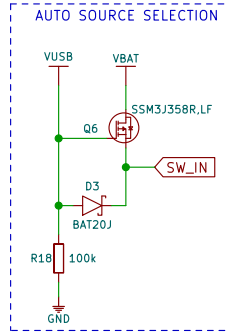
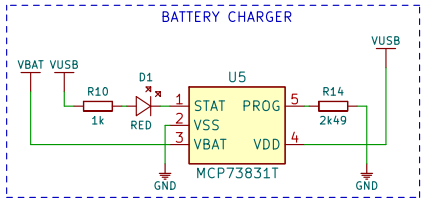
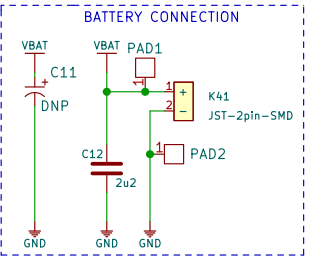
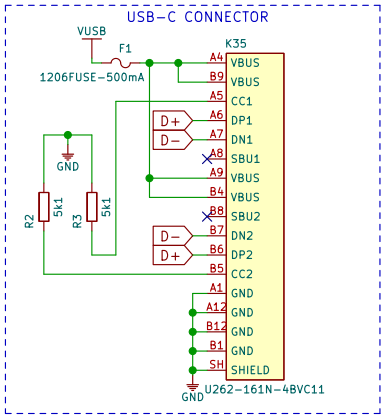
5

6



# Soldered Inkplate 6COLOR





Need help? [support.soldered.com](http://support.soldered.com) Store: [soldered.com](http://soldered.com) Custom PCBs: [pcb.soldered.com](http://pcb.soldered.com) Learn: [blog.soldered.com](http://blog.soldered.com)

# Soldered Inkplate 6COLOR



Version: V1.2.0. Date: 2022-12-09 Sheet: 3/5 [www.solde.red/333238](http://www.solde.red/333238)

