

POWER

TPS e-paper power supply  
+ pull down resistors  
and protection diodes

File: POWER.kicad\_sch  
SD\_RTC\_GPIO

SD card, RTC &  
WakeUp Button

File: SD\_RTC\_GPIO.kicad\_sch

CTRL & COMS

USB-C, Battery conection, USB to UART,  
Voltage Regulator,  
ON/OFF circuit,  
PWR LED, Battery charger,  
Reset circuitry

File: CTRL & COMS.kicad\_sch  
E-paper

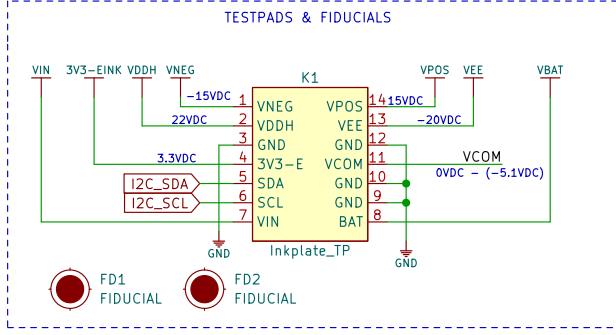
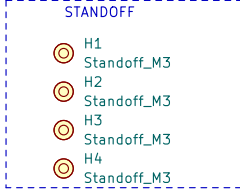
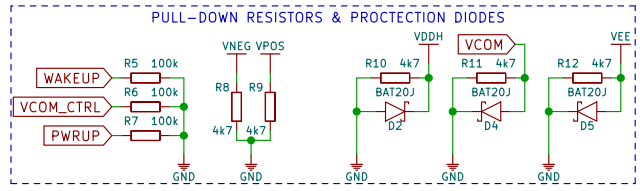
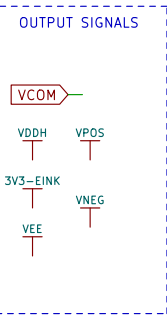
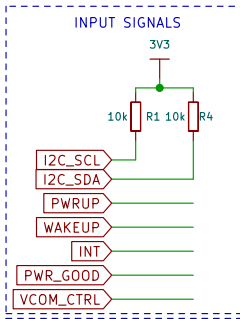
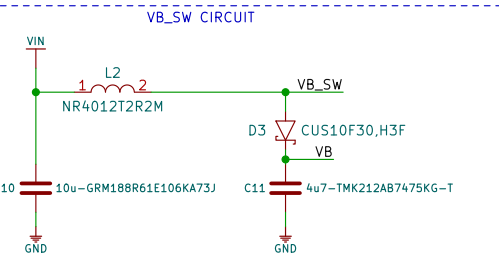
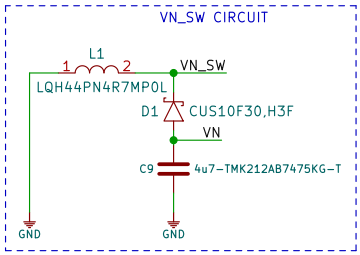
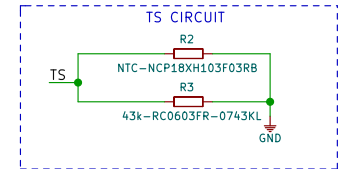
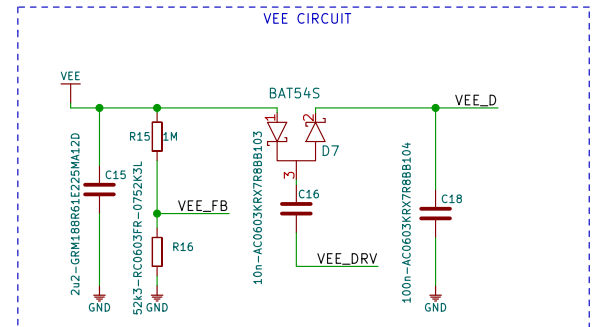
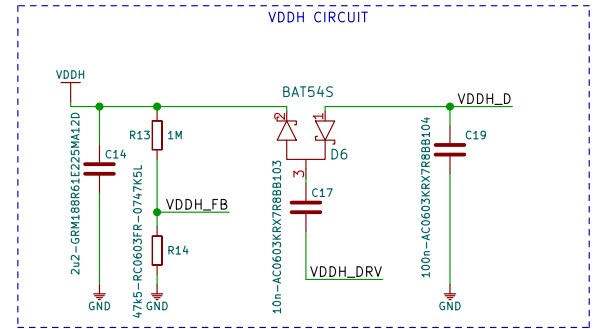
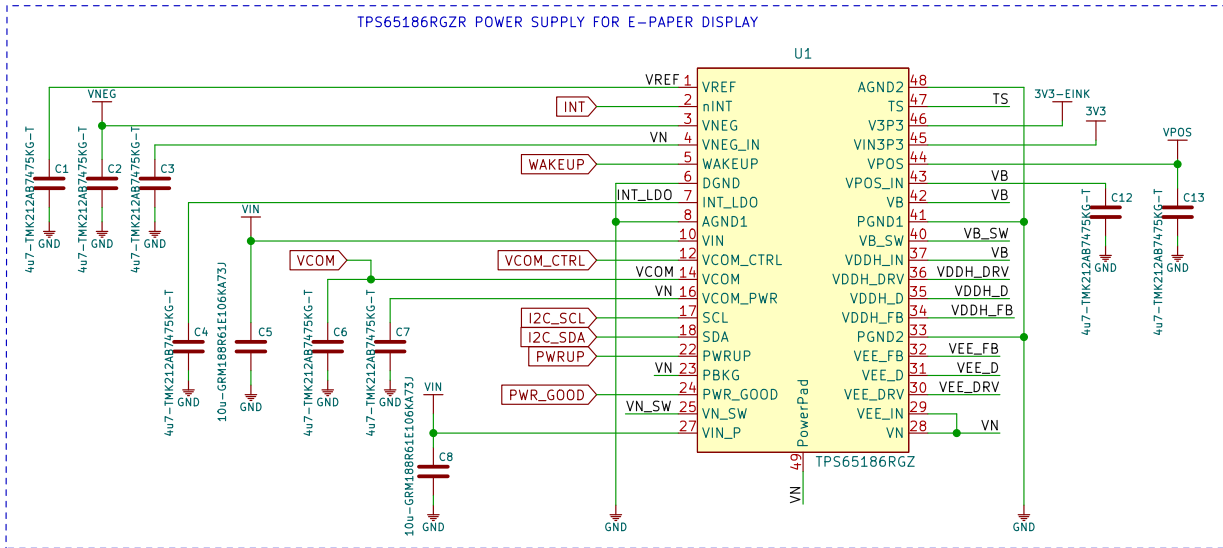
E-paper panel, backlight DAC  
& LED driver

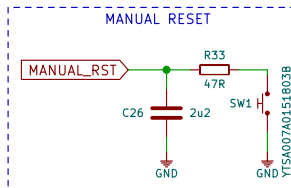
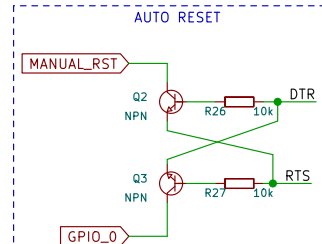
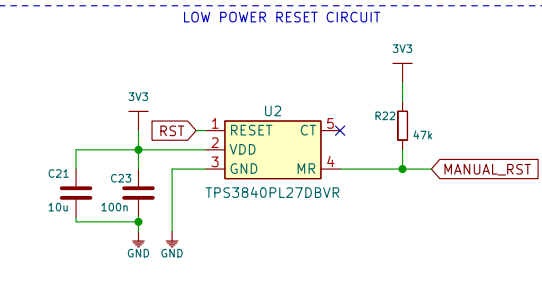
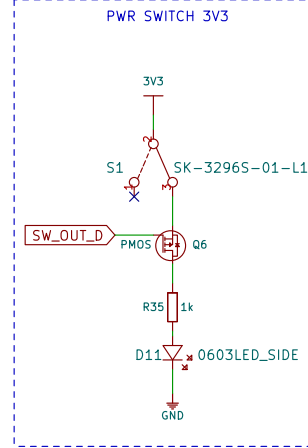
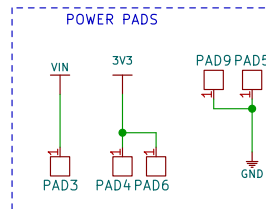
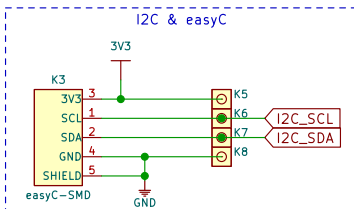
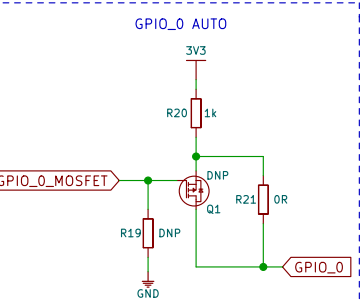
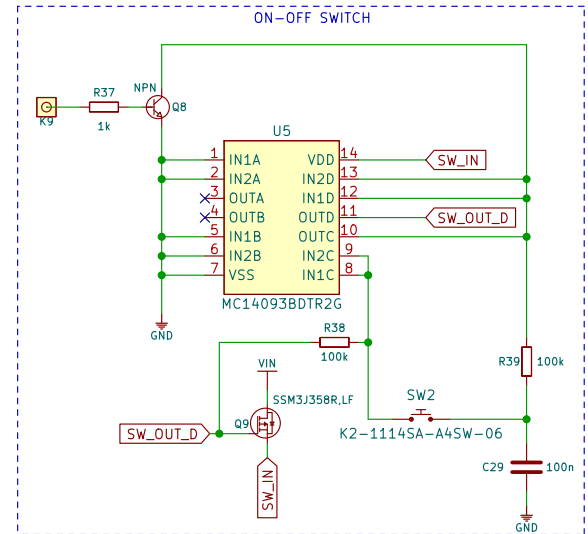
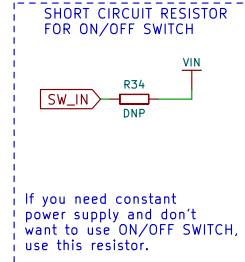
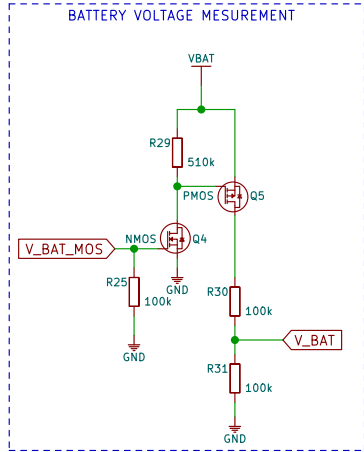
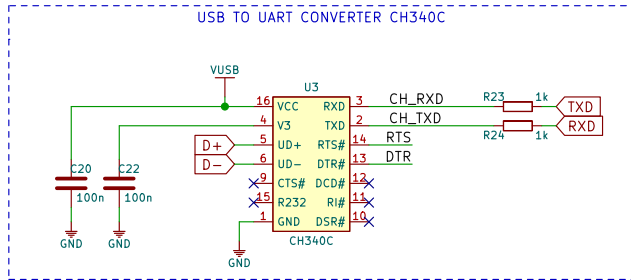
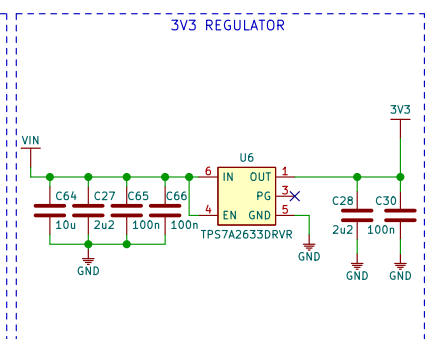
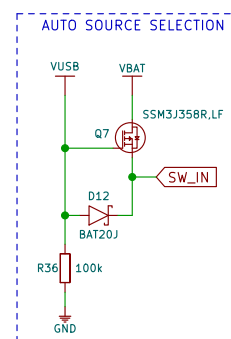
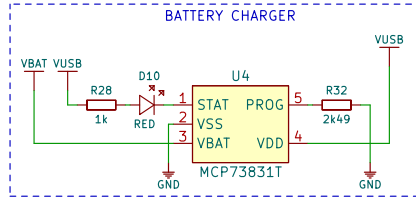
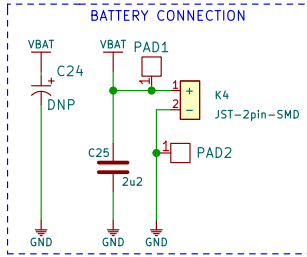
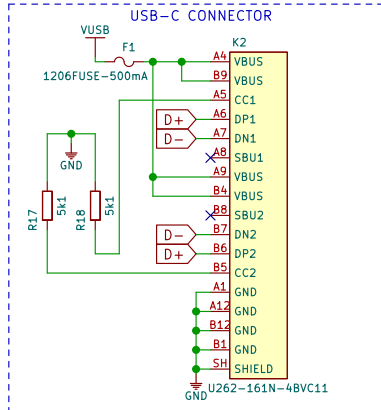
File: E-paper.kicad\_sch

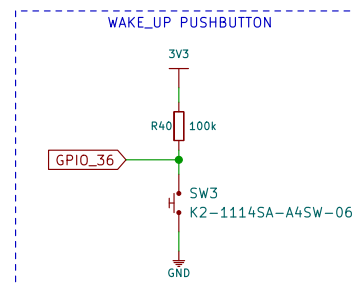
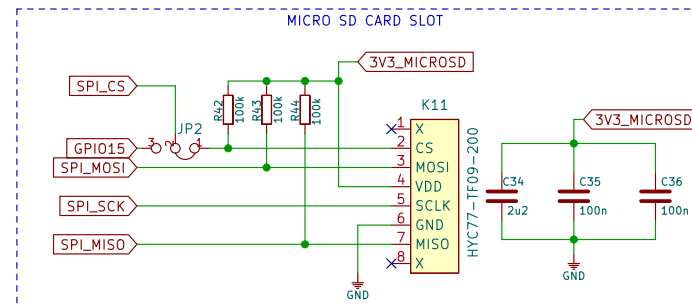
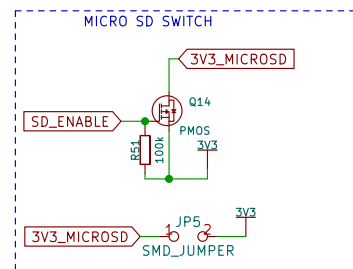
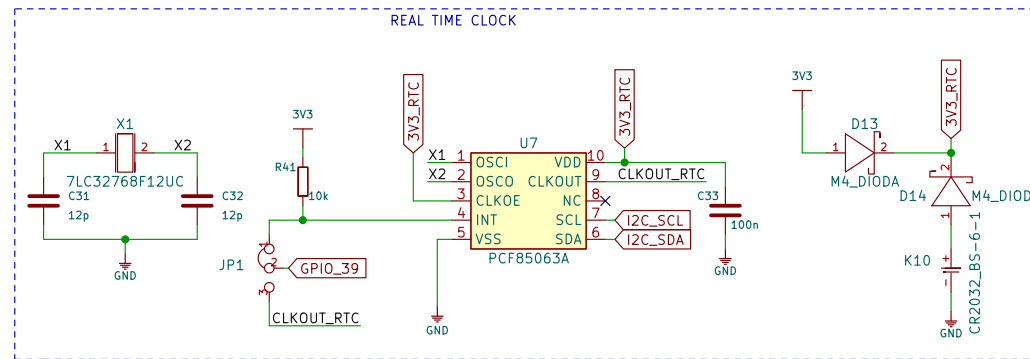
MCU & GPIO Expanders

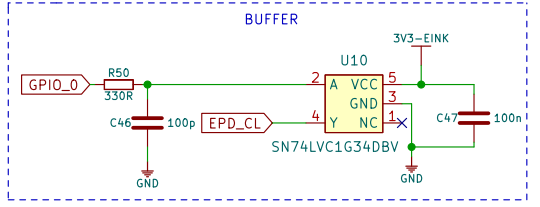
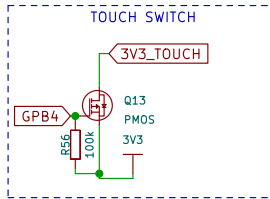
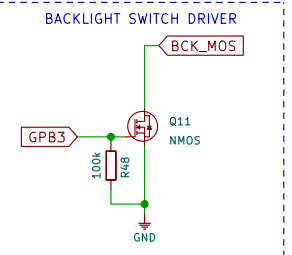
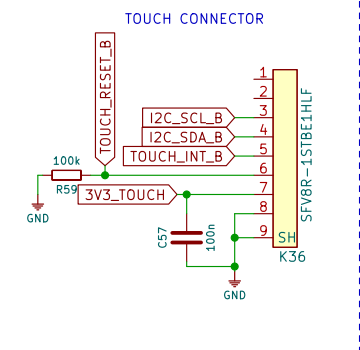
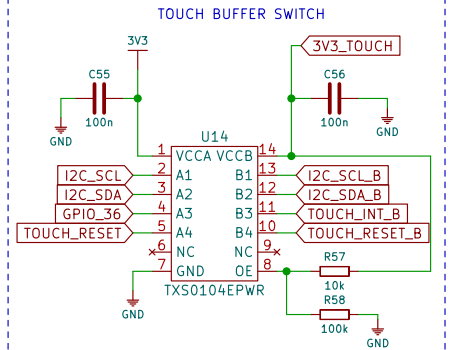
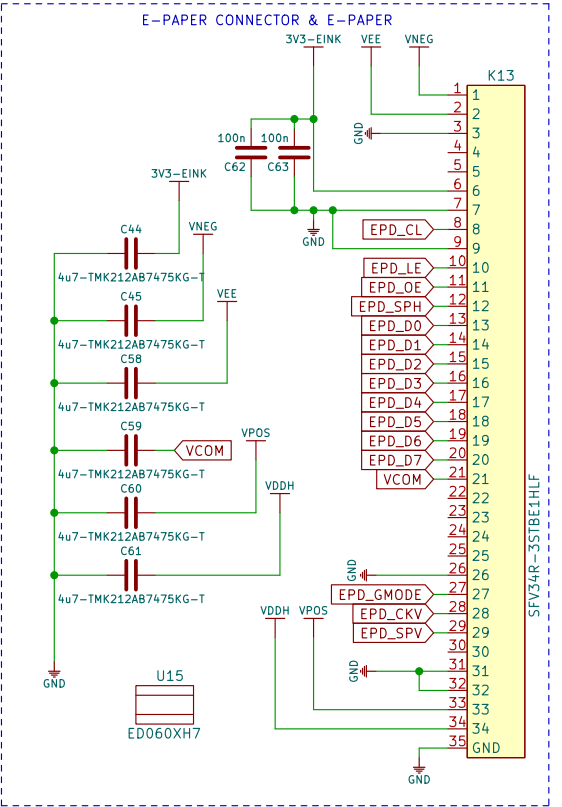
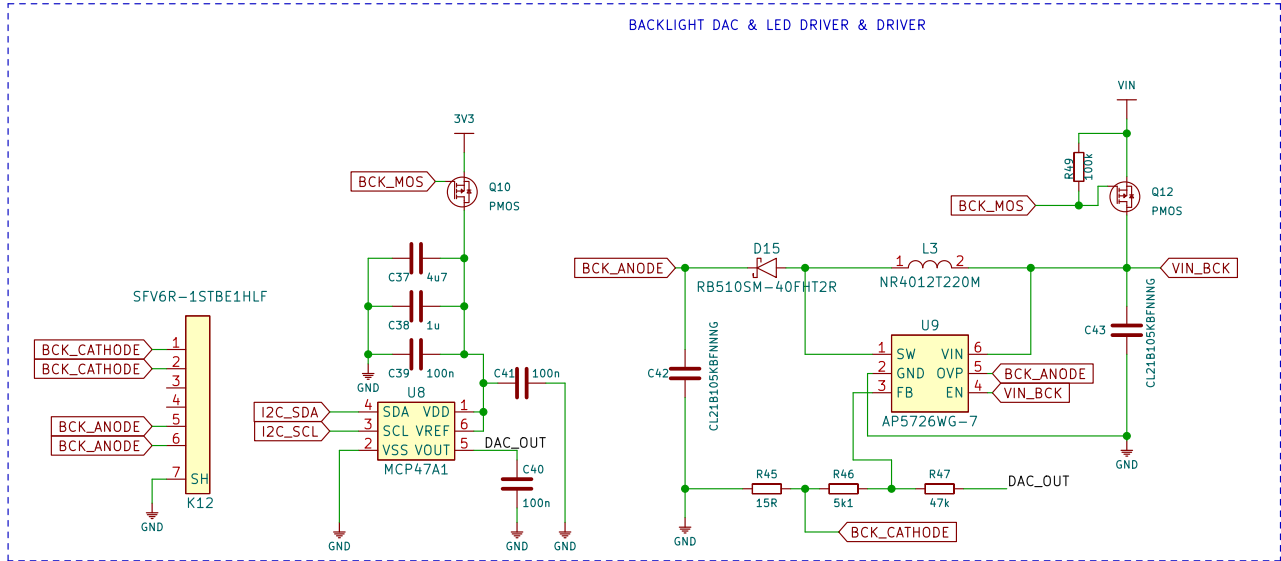
Micro Controller  
and GPIO expander

File: MCU & GPIO Expanders.kicad\_sch









Need help? [support.soldered.com](http://support.soldered.com) Store: [soldered.com](http://soldered.com) Custom PCBs: [pcb.soldered.com](http://pcb.soldered.com) Learn: [blog.soldered.com](http://blog.soldered.com)

**Soldered Inkplate 6PLUS** **SOLDERED**

Version: V1.2.0. Date: 2022-12-09 Sheet: 5/6 [www.solde.red/333235](http://www.solde.red/333235)

