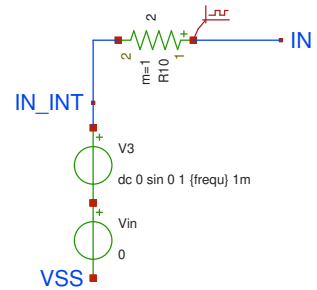
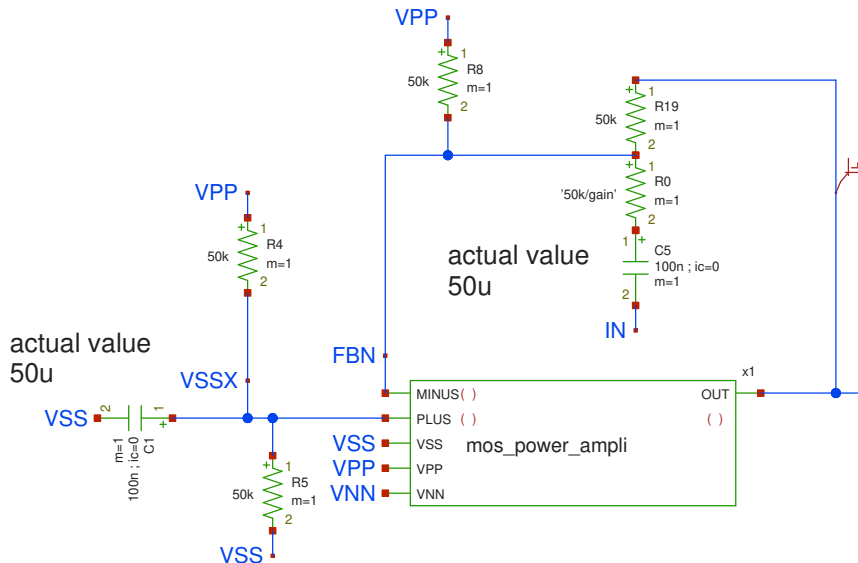


actual value
200



Select one or more graphs (and no other objects)
and use arrow keys to zoom / pan waveforms



load ngspice waves
load Xyce waves

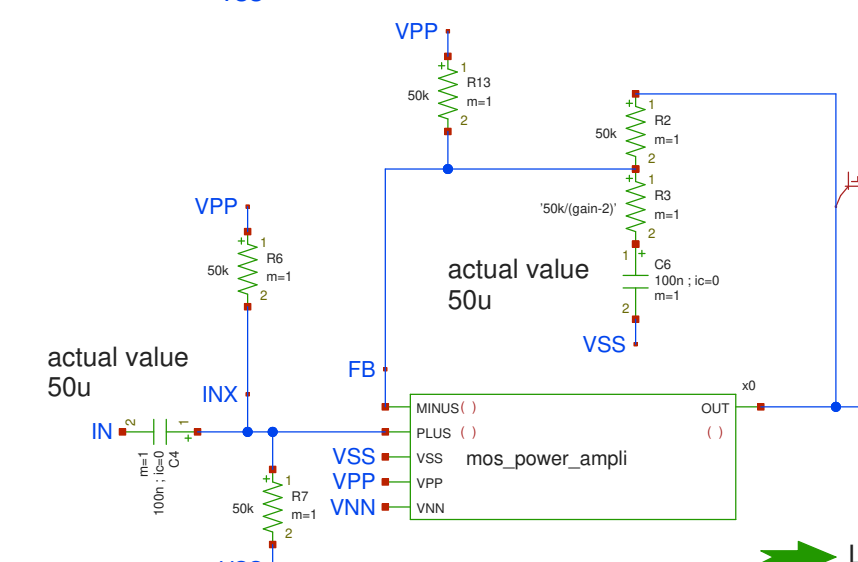
COMMANDS1
SIM=xyce



NGSPICE
SIM=ngspice



NGSPICE_BATCH
SIM=ngspice

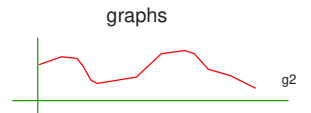


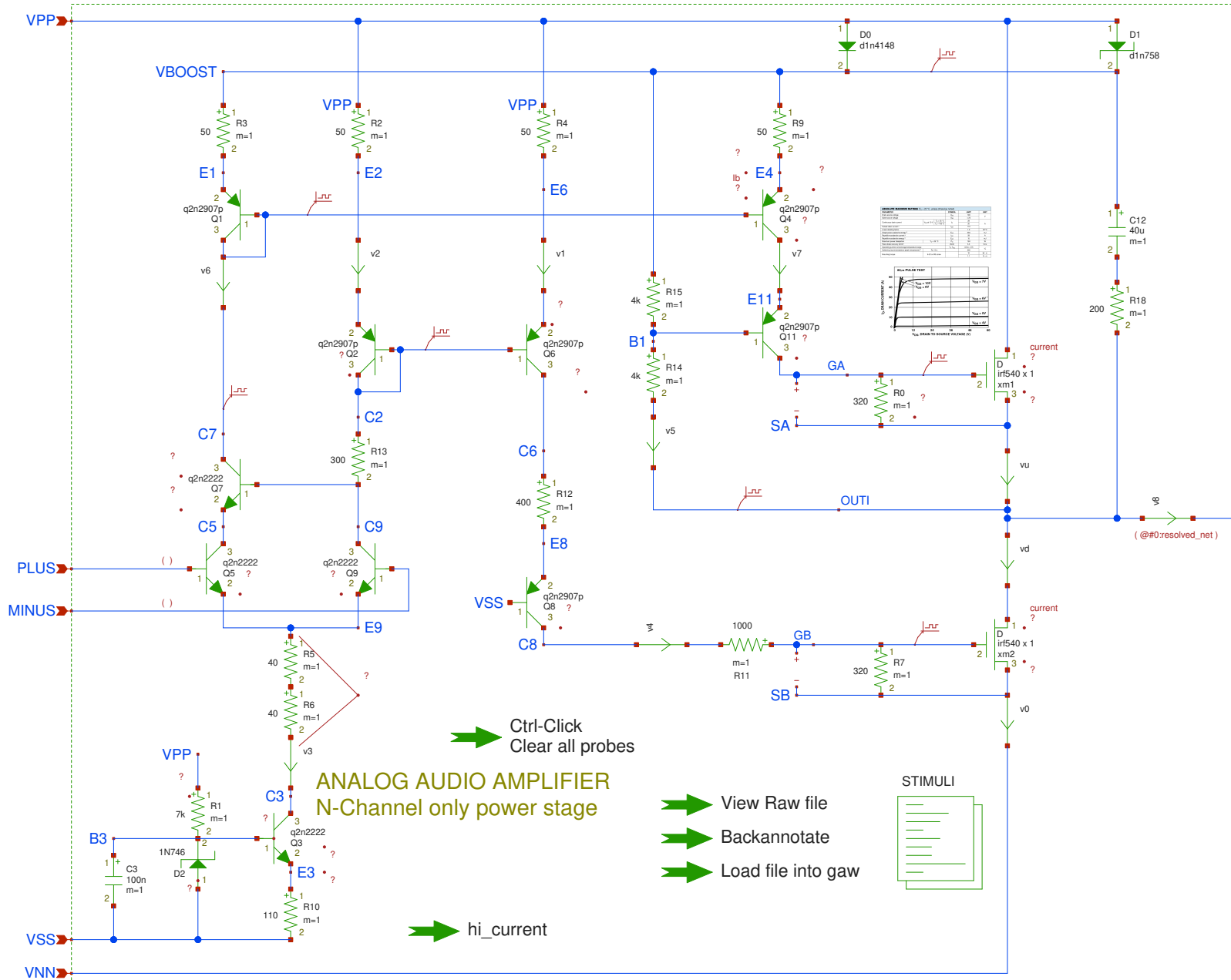
Swap interactive
/batch mode

Backannotate

Load file into gaw

Ctrl-Click
Clear all probes





Ctrl-Click
Clear all probes

ANALOG AUDIO AMPLIFIER
N-Channel only power stage

- ➡ View Raw file
- ➡ Backannotate
- ➡ Load file into gaw



➡ hi_current

