

S3 FPGA IO Details

Date: 04/08/2020

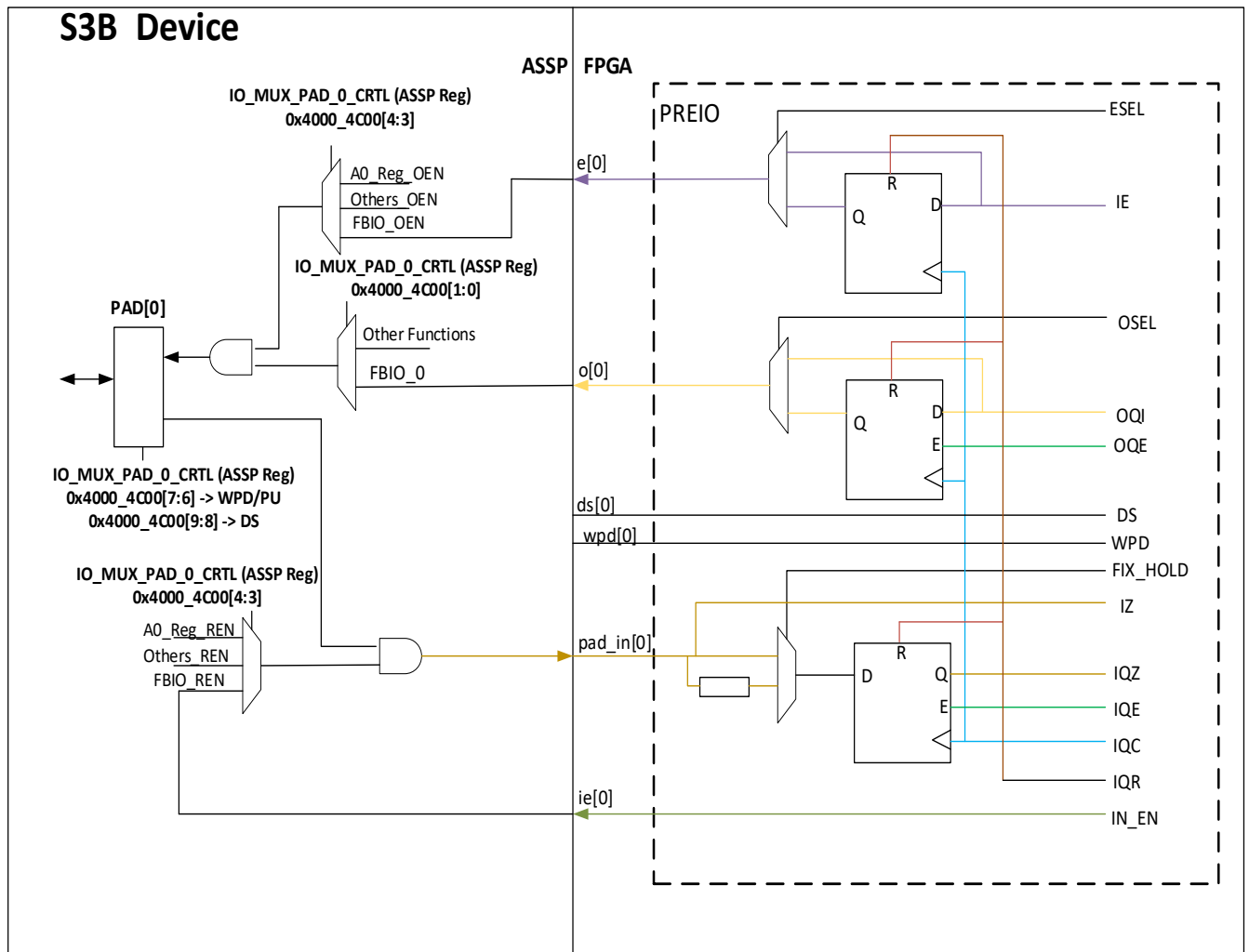
QuickLogic Corporation

S3 FPGA has 2 types of IOs:

1. FBIO (with preio)
 - PAD [31:0]
2. SFBIO (without preio)
 - PAD [45:32]

FBIO:

- It has PREIO's
- When programmed (ASSP register) as FPGA IO, OEN and REN are controlled by the signals from the FPGA interface
- Driver state control (WPD, WPU, Keeper) and Drive strength are controlled from the ASSP register not from the FPGA interface



SFBIO:

- It does not have PREIO's
- When programmed (ASSP register) as FPGA IO, OEN and REN are controlled by the signals from the FPGA interface
- Driver state control (WPD, WPU, Keeper) and Drive strength are controlled from the ASSP register not from the FPGA interface

