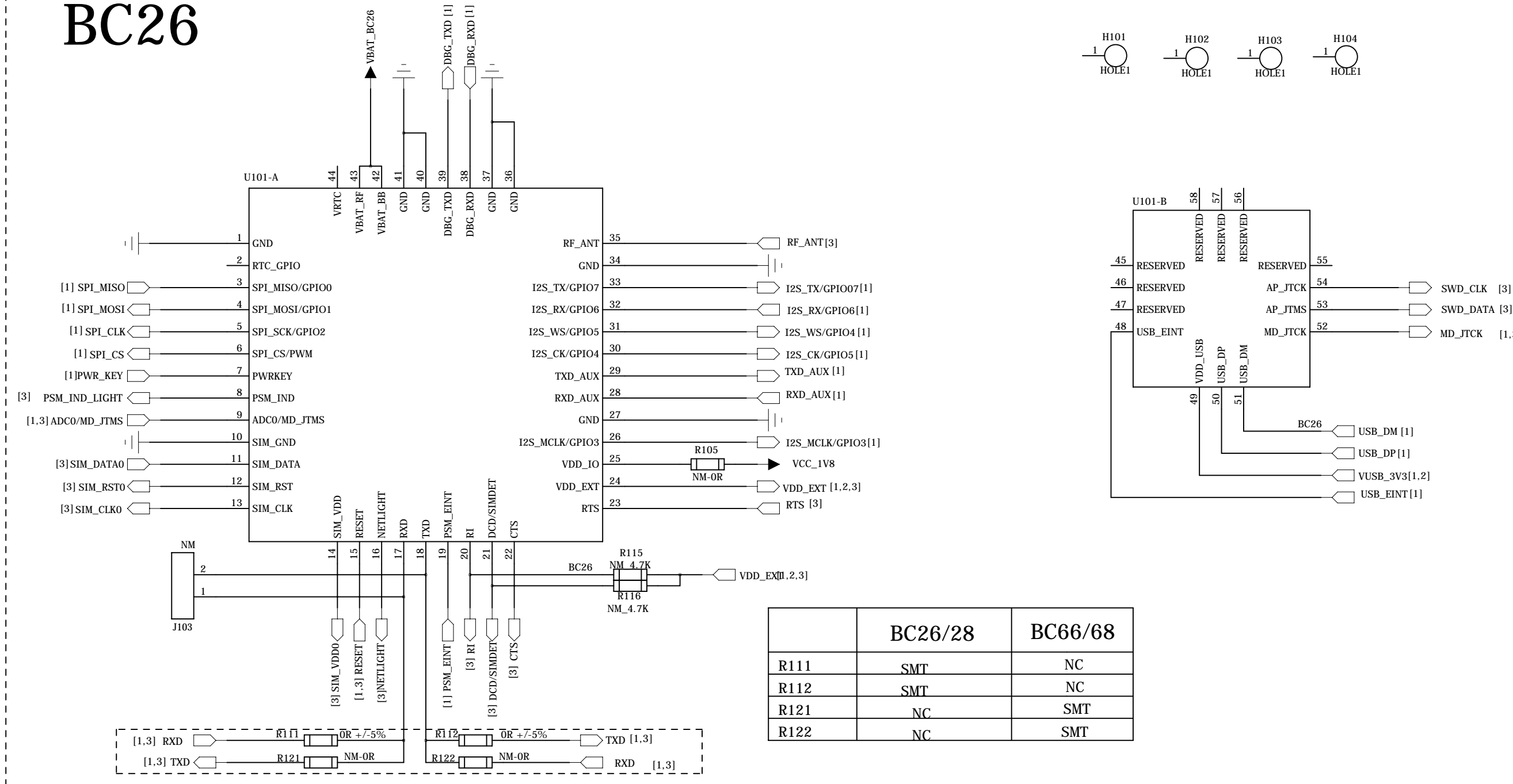
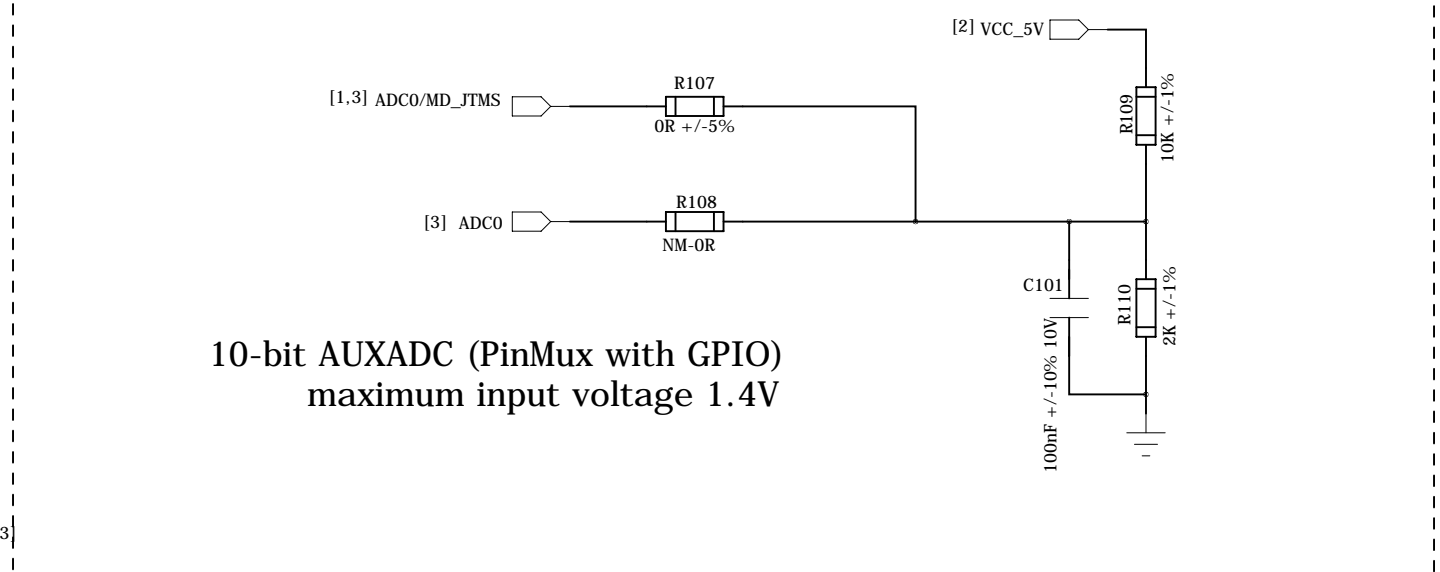


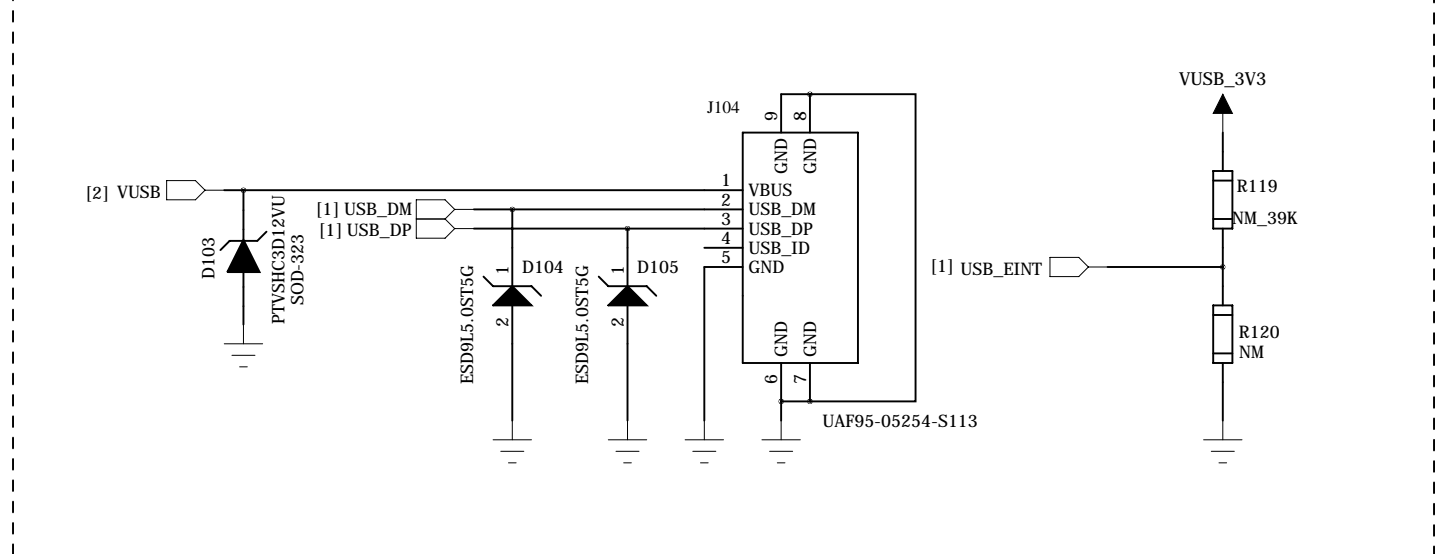
# BC26



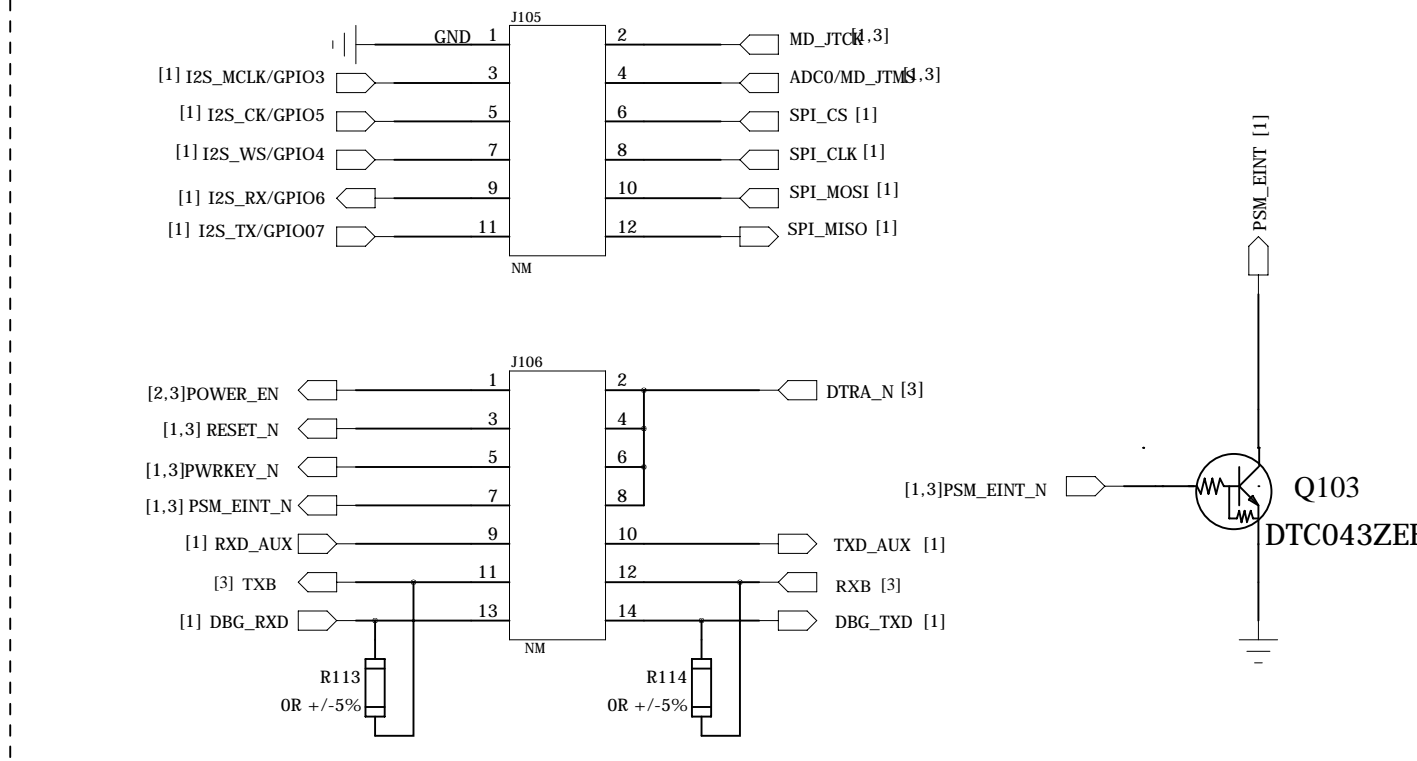
# ADC



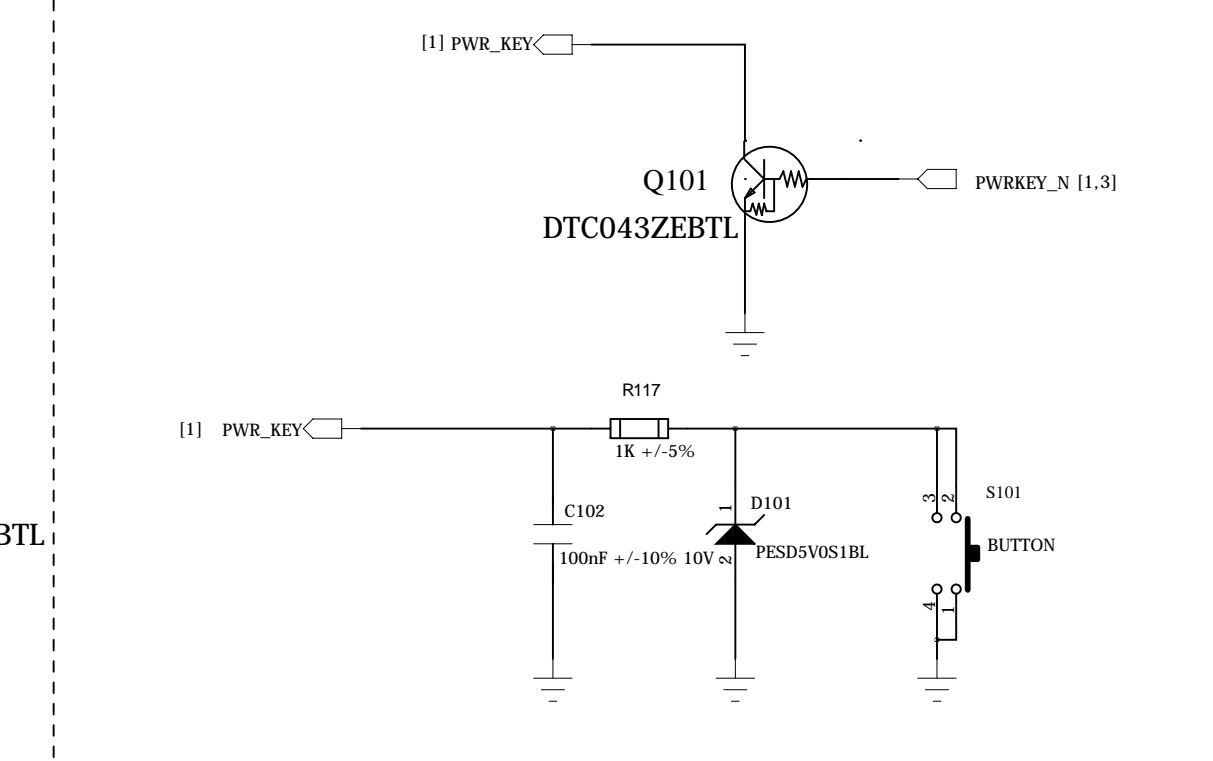
# USB 3.3V



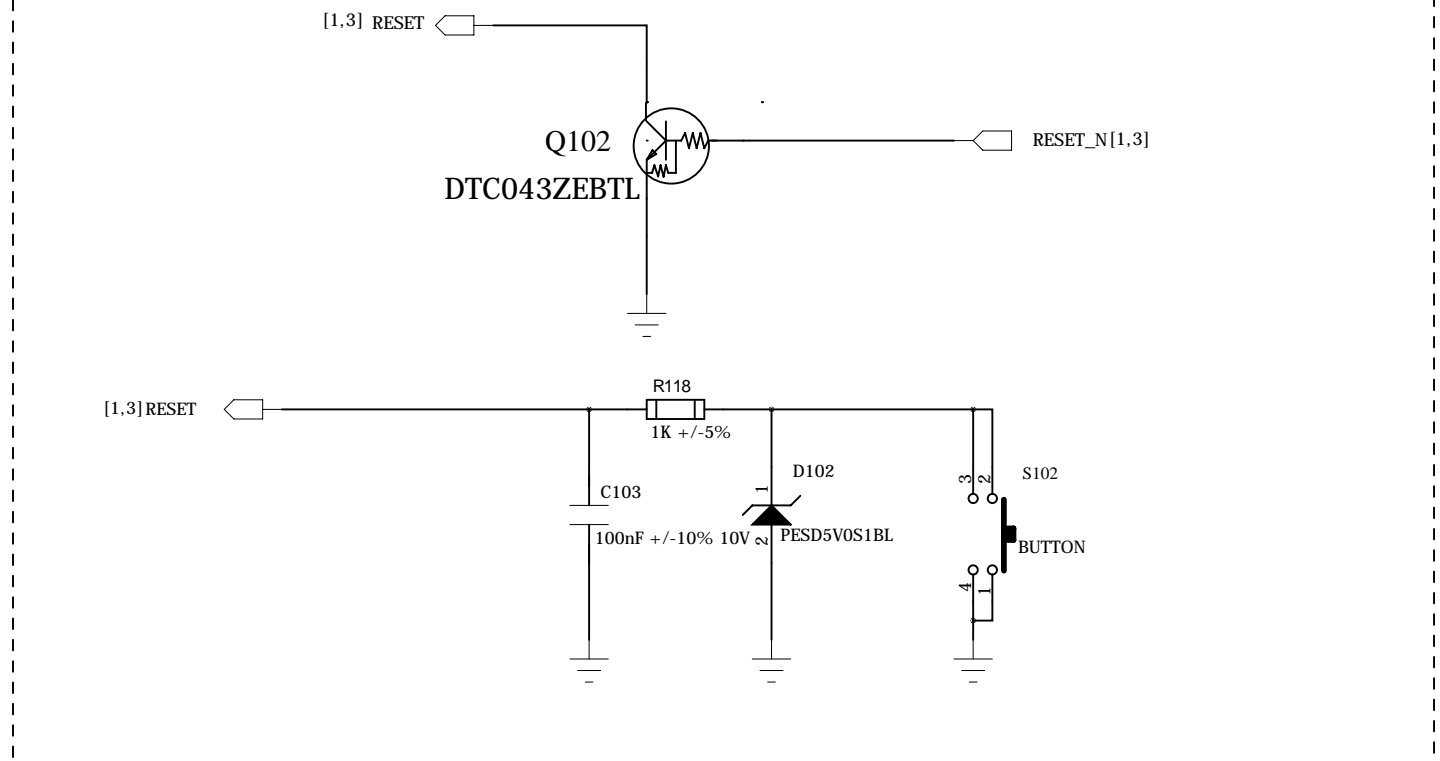
# TEST POINT



# PWRKEY



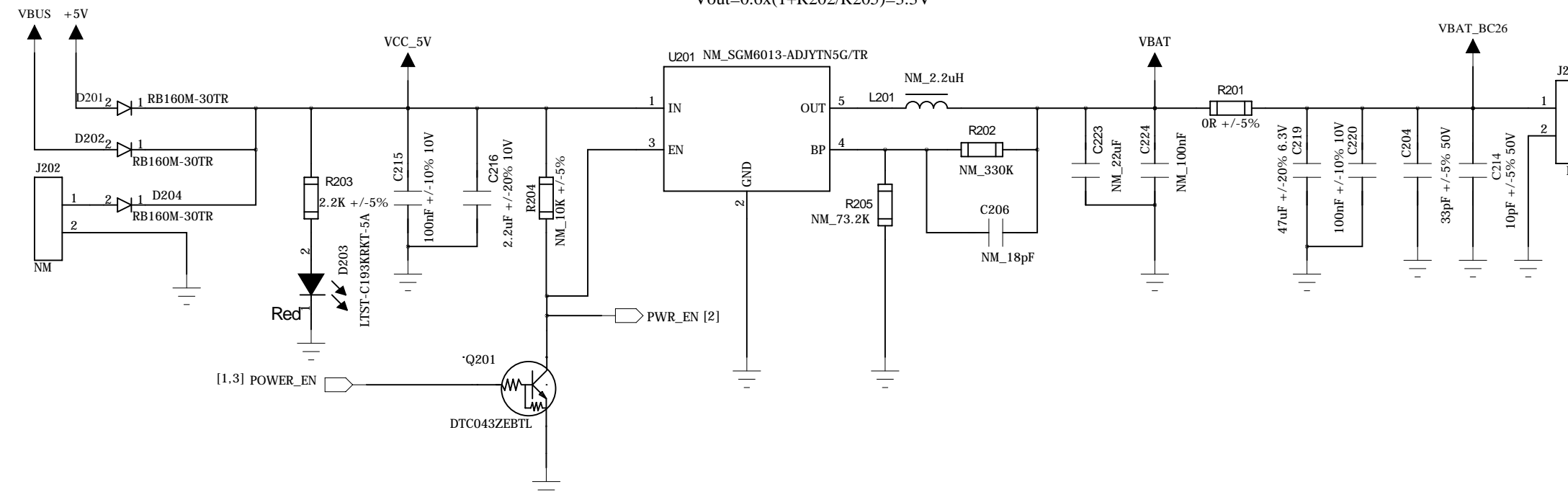
# RESET



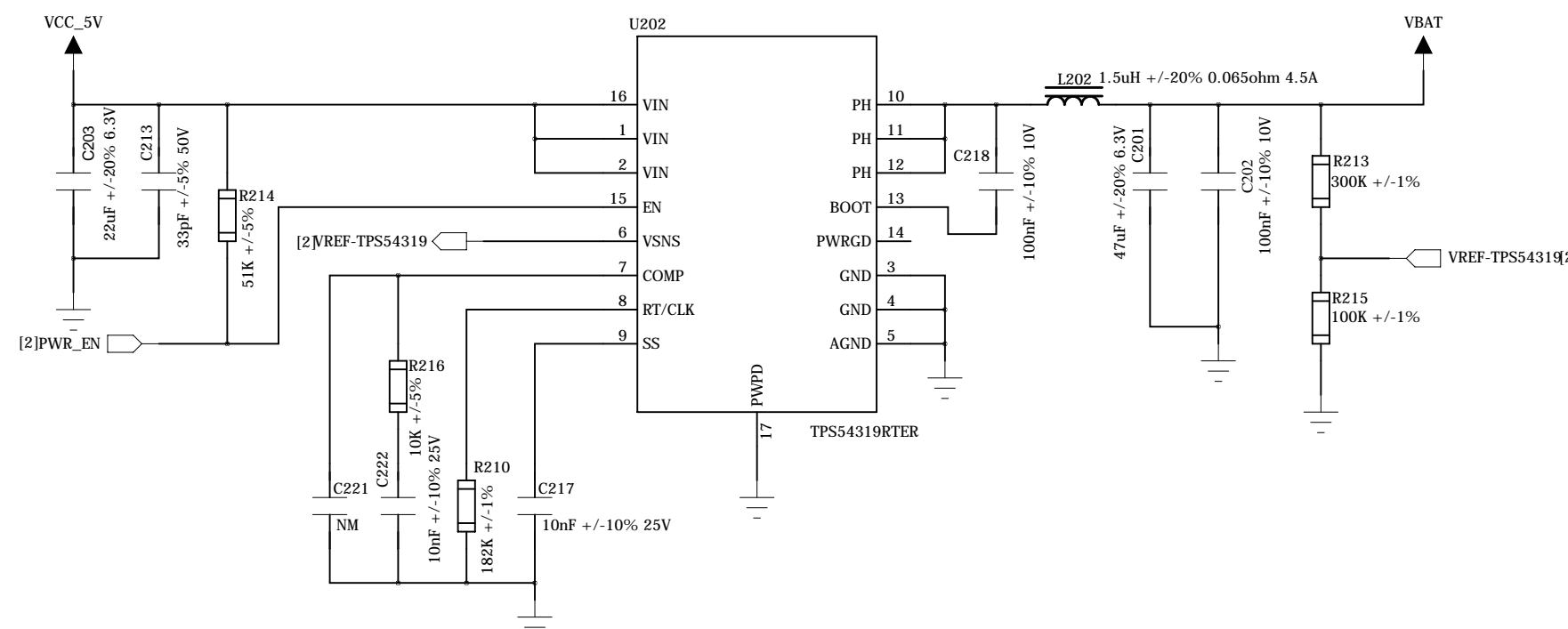
| Quectel Wireless Solutions |                      |                    |
|----------------------------|----------------------|--------------------|
| DRAWN BY<br>Brooke         | PROJECT<br>BC26-TE-B | TITLE<br>BC26-TE-B |
| CHECKED BY<br>Tiger        | SIZE<br>A2           | VER<br>1.2         |
| SHEET<br>1 OF 4            | DATE<br>2018/5/25    |                    |

# MOUDLE POWER

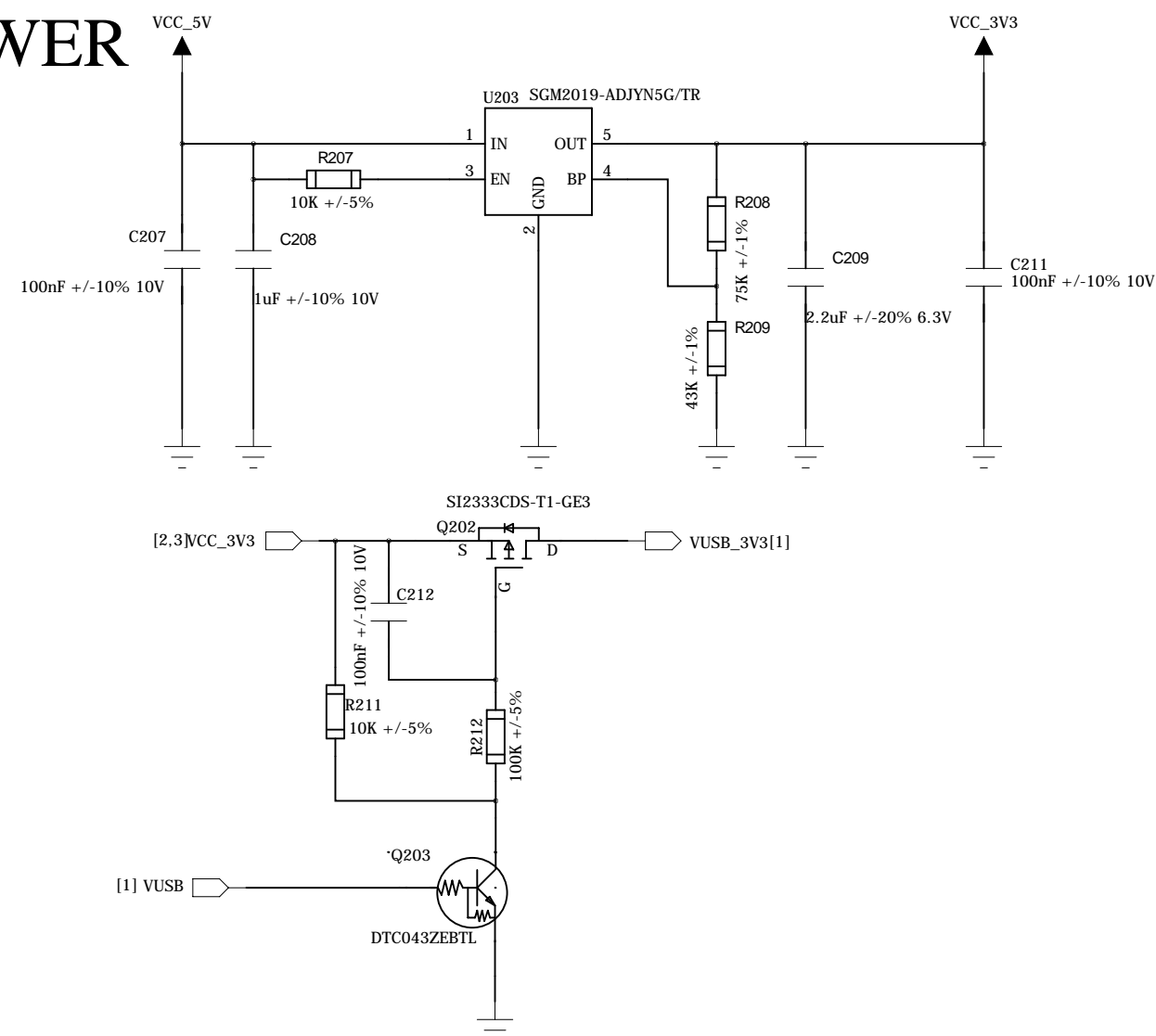
Imax = 600mA  
Vout=0.6x(1+R202/R205)=3.3V



Vref=0.827V    Vout=(R213/R215+1)\*0.827=3.3V

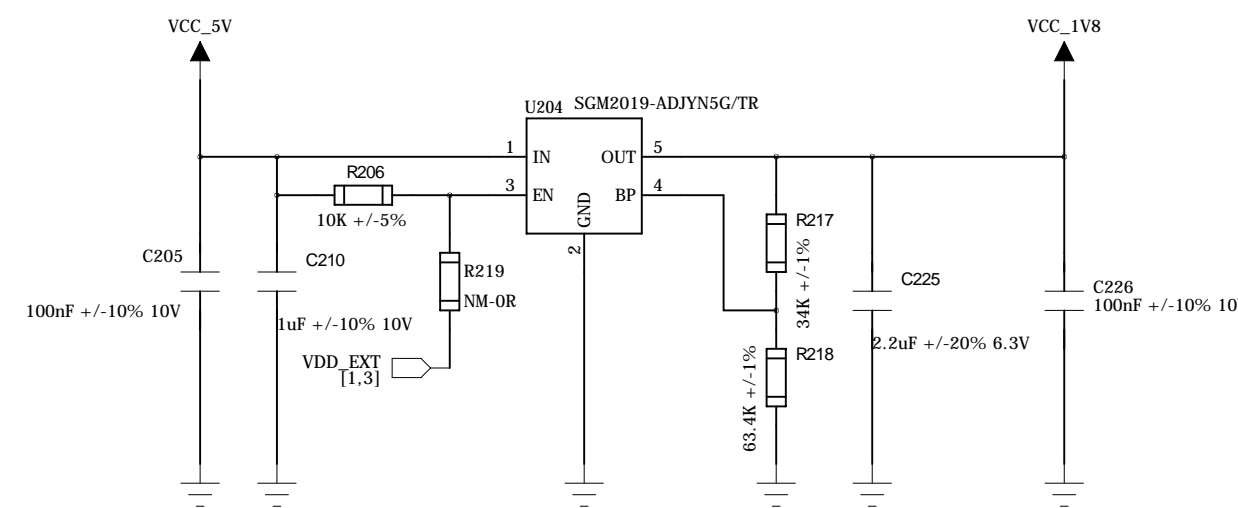


# 3.3V POWER



# 1.8V POWER

V OUT = (R217 + R218) / R218 x 1.207

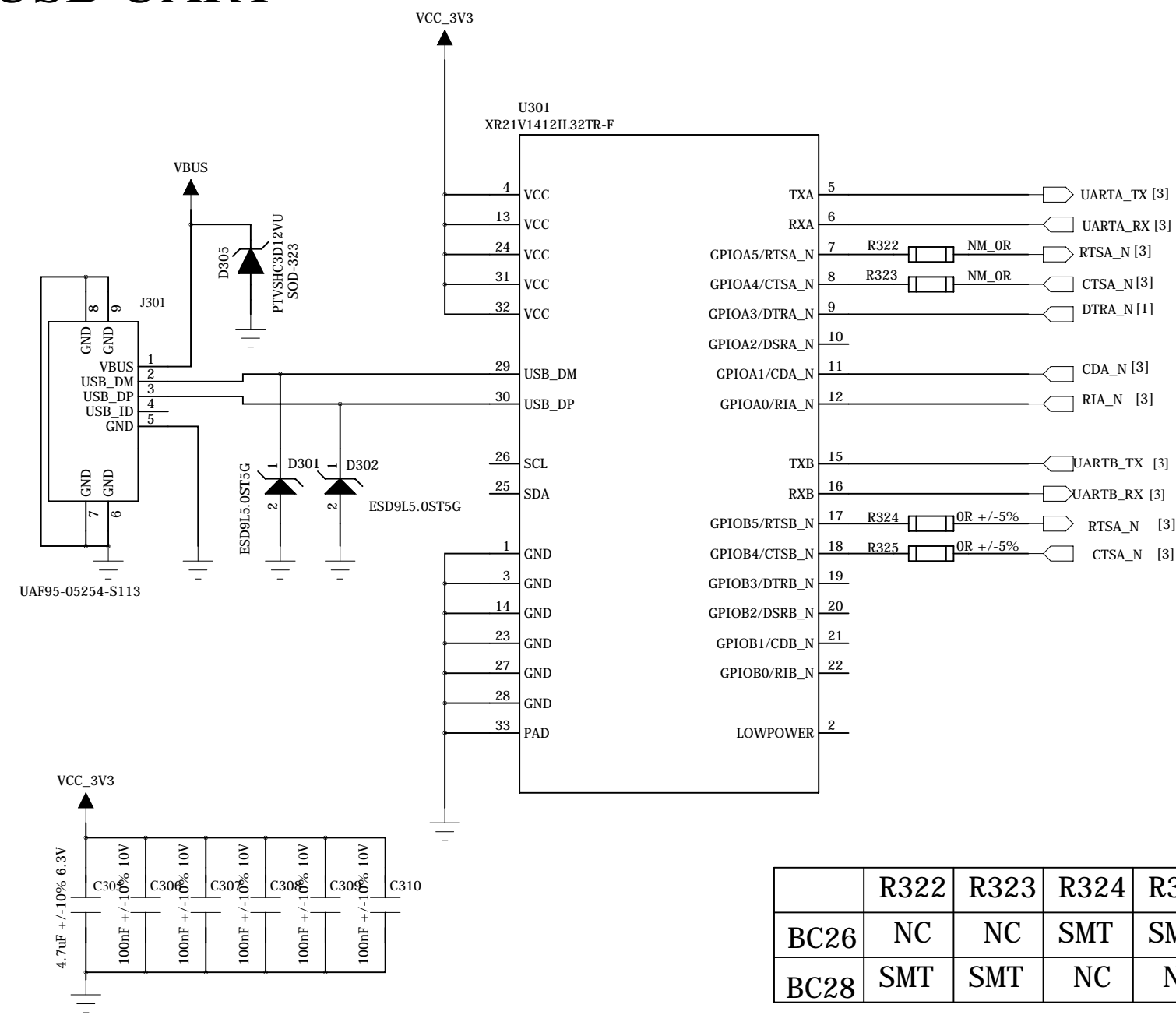


|      | BC26  | BC28  |
|------|-------|-------|
| R217 | 34K   | 63.4K |
| R218 | 63.4K | 42.2K |

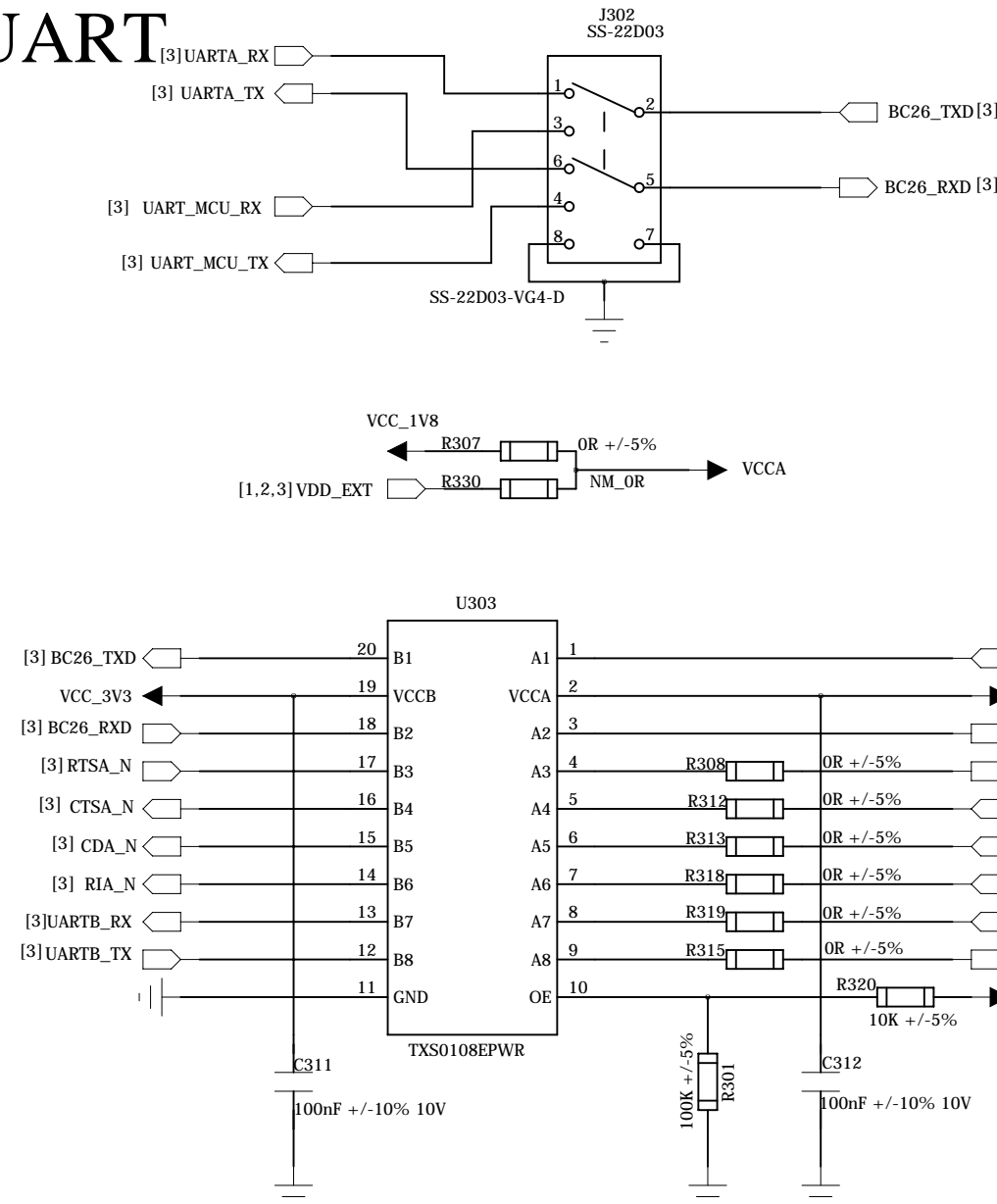
## Quectel Wireless Solutions

|                     |                      |                    |
|---------------------|----------------------|--------------------|
| DRAWN BY<br>Brooke  | PROJECT<br>BC26-TE-B | TITLE<br>BC26-TE-B |
| CHECKED BY<br>Tiger | SIZE<br>A2           | VER<br>1.2         |
|                     | SHEET<br>2 OF 4      | DATE<br>2018/5/25  |

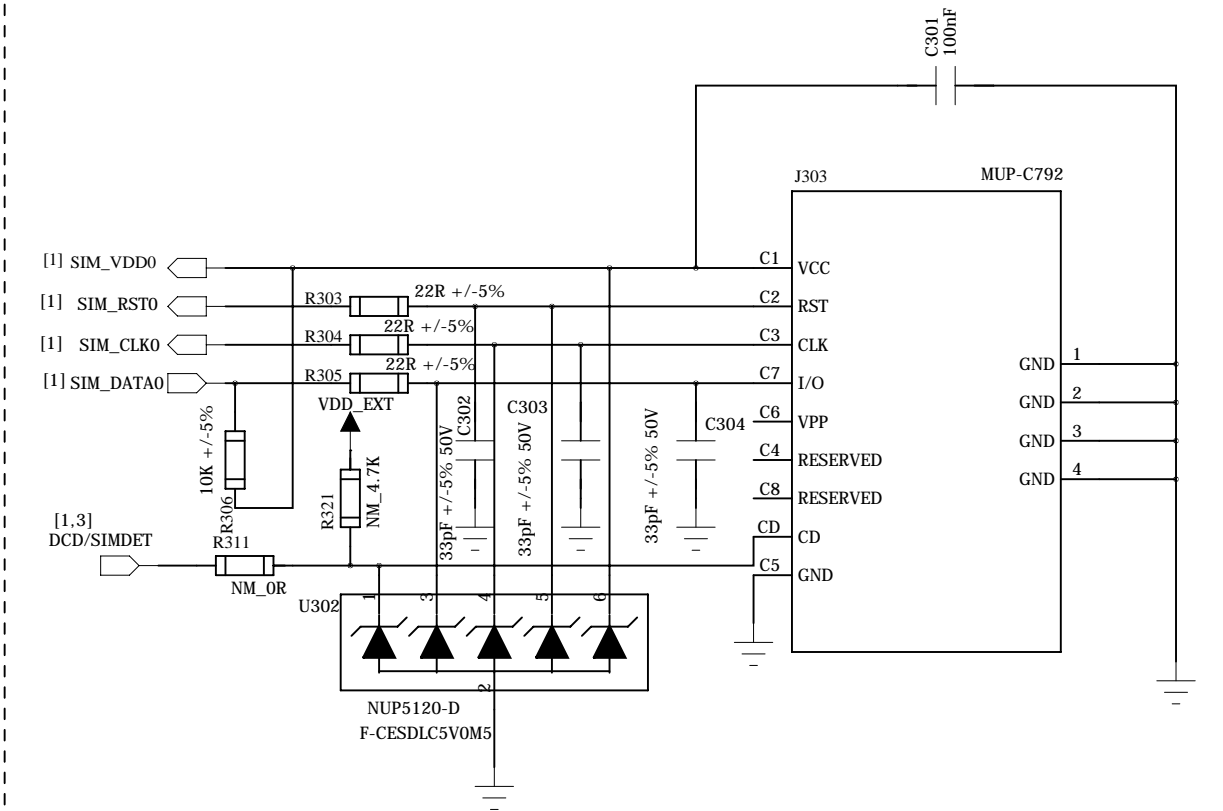
# USB UART



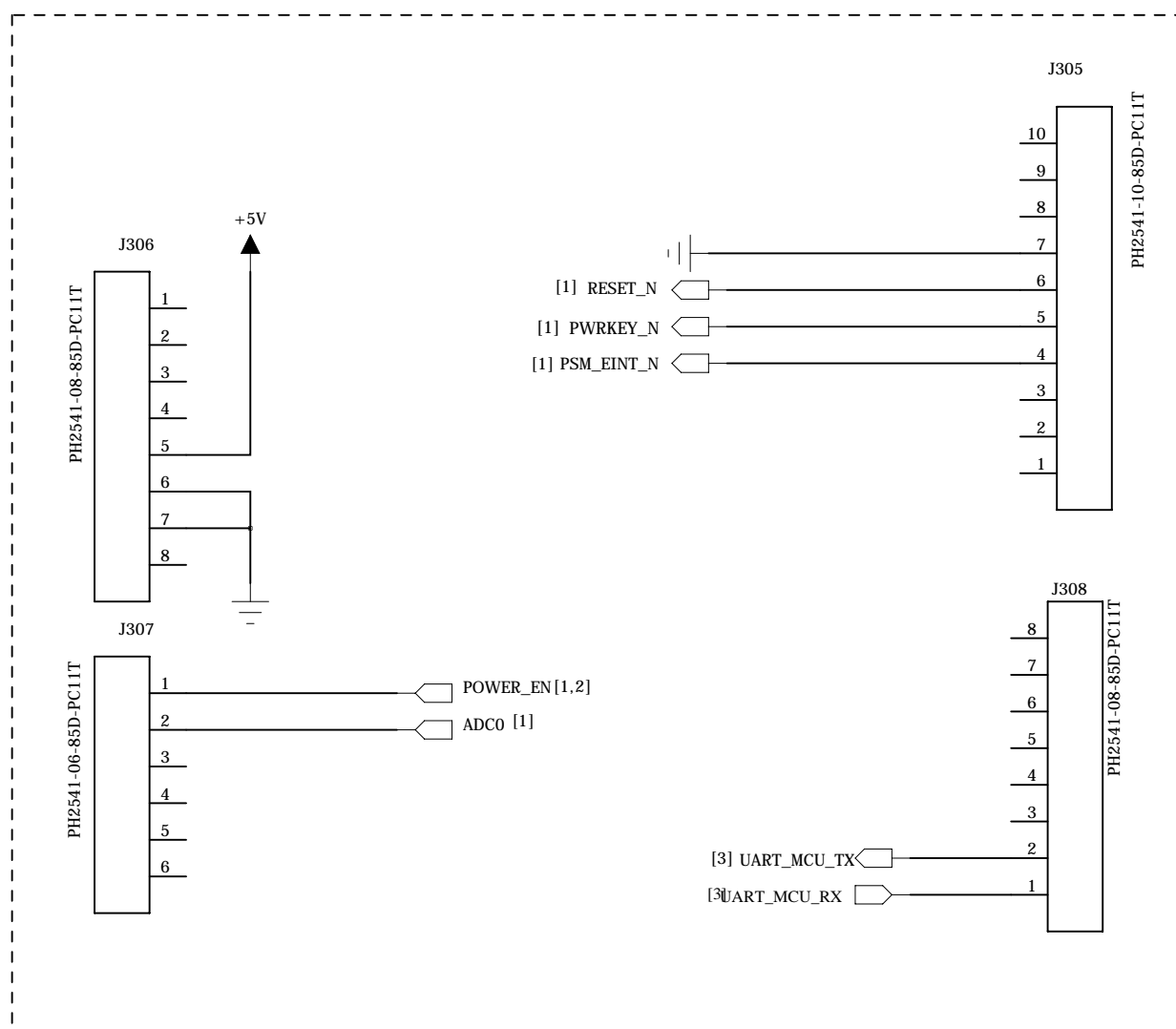
# UART



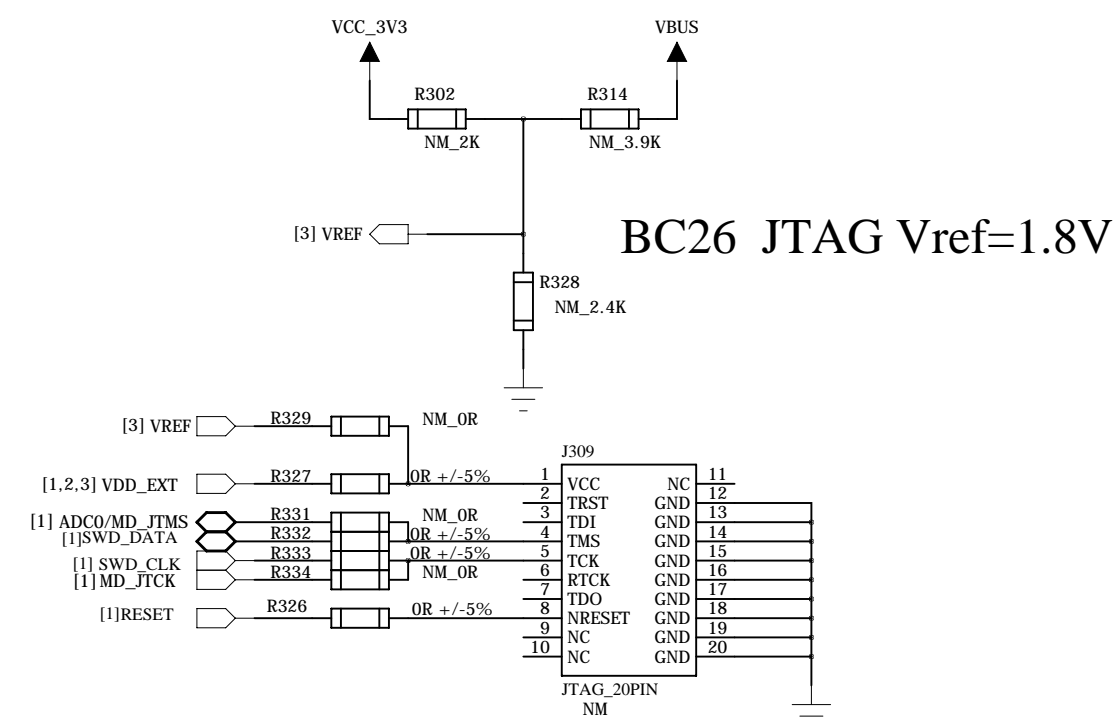
# MICRO SIM CARD



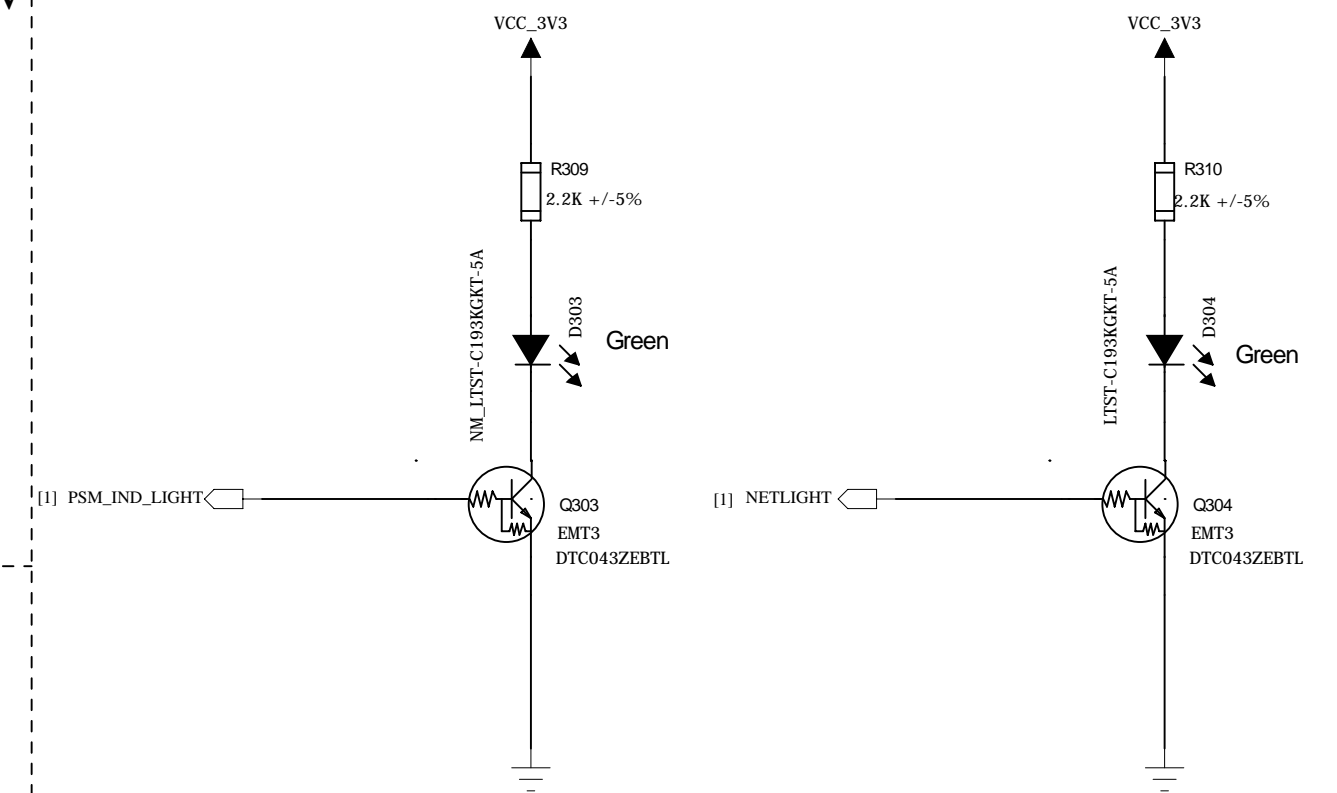
# ARDUINO INTERFACE



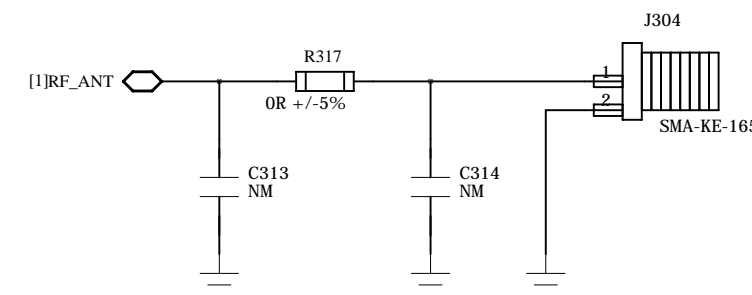
# SWD-CONN



# NETLIGHT

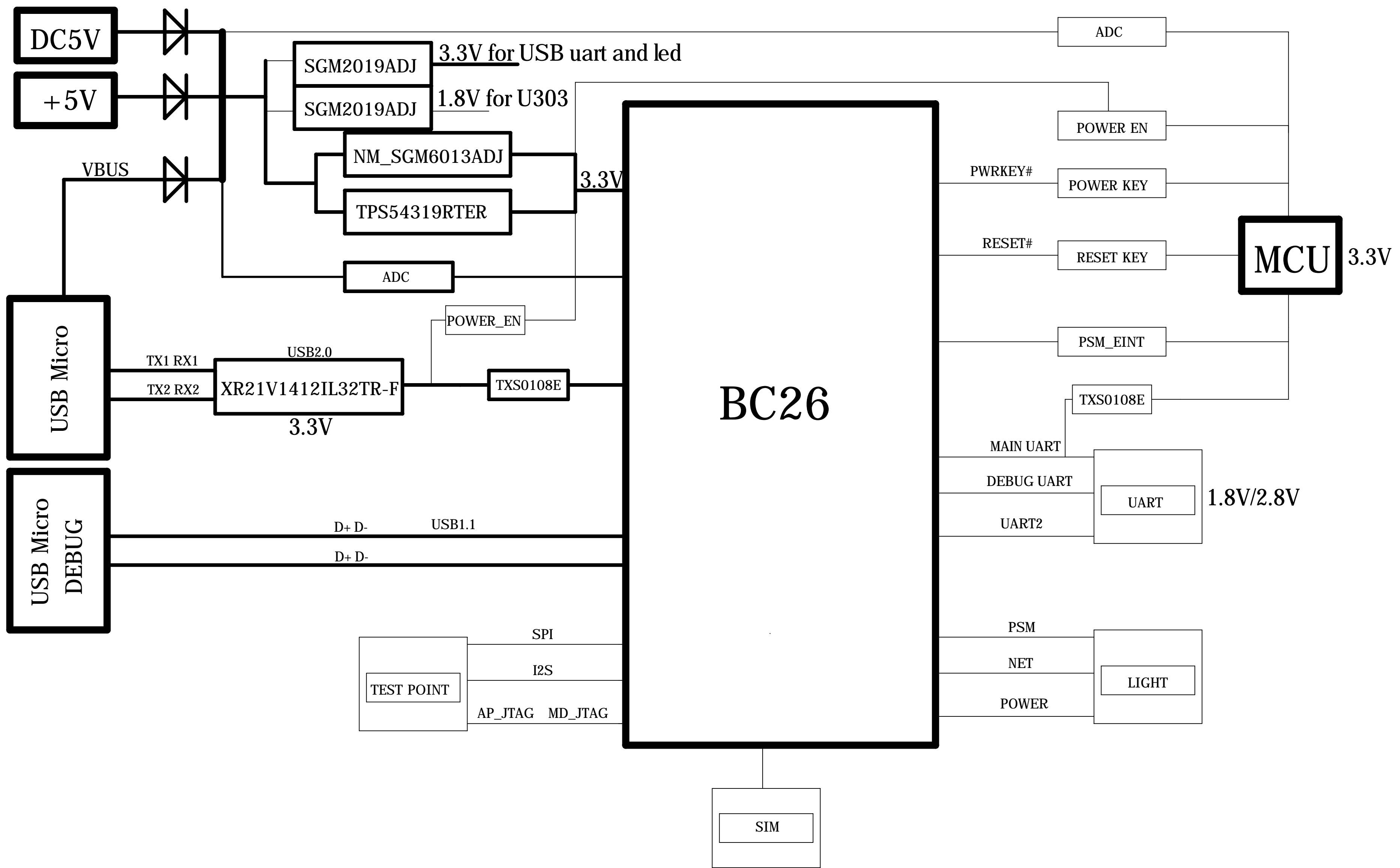


# RF



## Quectel Wireless Solutions

|                     |                      |                    |
|---------------------|----------------------|--------------------|
| DRAWN BY<br>Brooke  | PROJECT<br>BC26-TE-B | TITLE<br>BC26-TE-B |
| CHECKED BY<br>Tiger | SIZE<br>A2           | VER<br>1.2         |
| SHEET<br>3 OF 4     | DATE<br>2018/5/25    |                    |



| Quectel Wireless Solutions |                      |                    |
|----------------------------|----------------------|--------------------|
| DRAWN BY<br>Brooke         | PROJECT<br>BC26-TE-B | TITLE<br>BC26-TE-B |
| CHECKED BY<br>Tiger        | SIZE<br>A2           | VER<br>1.2         |
|                            | SHEET 4 OF 4         | DATE 2018/5/25     |