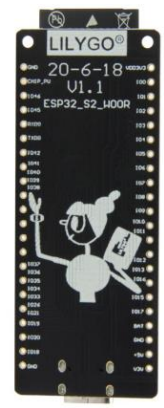
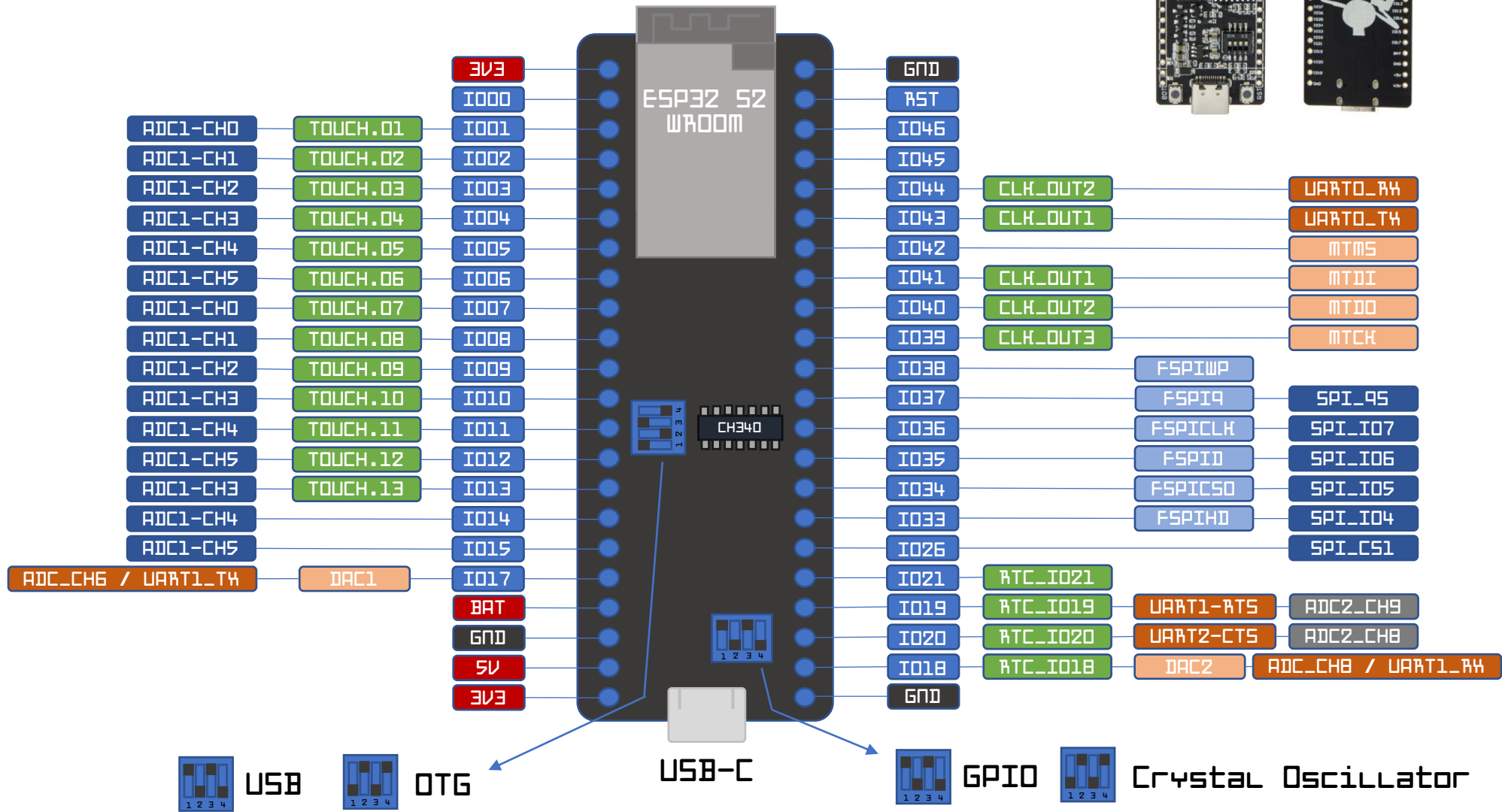


# T8-ESP32-S2 WROOM V1.1

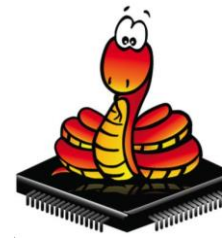
## PinOUT



Hardware Specifications	
Chipset	ESPRESSIF-ESP32-S2-WROOM
FLASH	4MB
SRAM	320 kB SRAM
Button	BOOT, REST, SMD DIP Switch
USB to TTL	CH340C
Modular interface	SD card, UART, SPI, I2C, PWM, I2S, ADC
On-board clock	32.768KHz crystal oscillator
Working voltage	2.7V - 3.6V
Working temperature range	-40°C ~ +85°C
Weight	8 gramm
Size	65.48*26.02*4.5mm

### Power Supply Specifications

Power Supply Input	USB 5V/1A
Charging current	500mA
Battery Input	3.7-4.2V
USB	Type-C USB
Wi-Fi	
Standard	FCC/CE-RED/IC/TELEC/KCC/SRRC/NCC (esp32 chip)
Protocol	802.11 b/g/n (802.11n, speed up to 150Mbps) A-MPDU and A-MSDU polymerization, support 0.4μs Protection interval
Frequency range	2.4GHz~2.5GHz (2400M~2483.5M)
Transmit Power	22dBm
Communication distance	300m



[https://micropython.org/download/GENERIC\\_S2/](https://micropython.org/download/GENERIC_S2/)