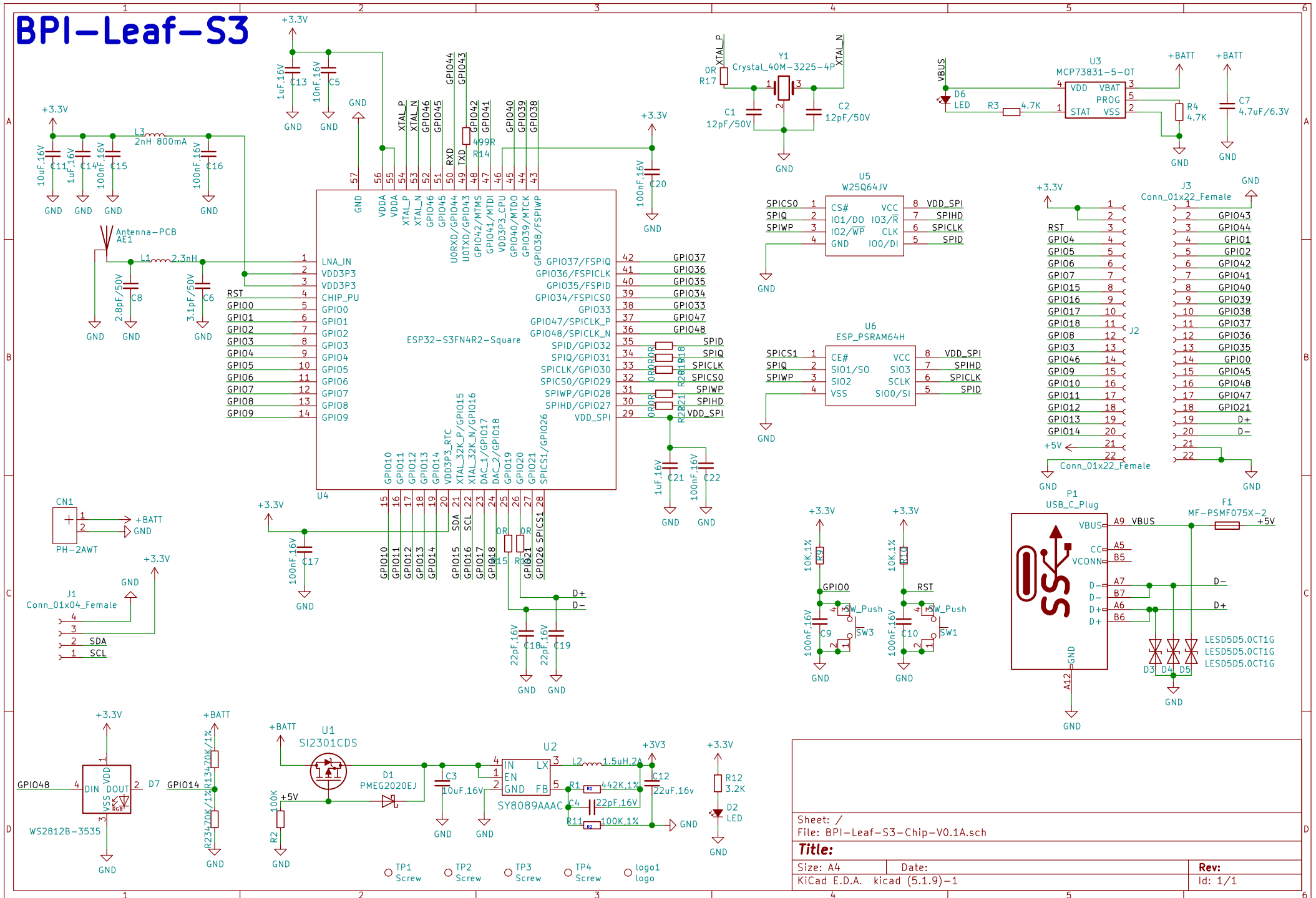


BPI-Leaf-S3



| | |
|----------------------------------|--------------|
| Sheet: / | |
| File: BPI-Leaf-S3-Chip-V0.1A.sch | |
| Title: | |
| Size: A4 | Date: |
| KiCad E.D.A. kicad (5.1.9)-1 | Rev: Id: 1/1 |