



深圳市晶彩智能有限公司
Shenzhen Jingcai Intelligent Co., Ltd

2.8 inch ESP32 module

ESP32-2432S028R



List

| | |
|----------------------------|---|
| Product description..... | 3 |
| Features..... | 3 |
| Product parameters..... | 4 |
| Interface Description..... | 5 |
| Product Size..... | 6 |



Product description

This LCD module uses ESP32-WROOM-32 module as the main control, the main control is a dual-core MCU, integrated WI-FI and Bluetooth functions, the main frequency can reach 240MHz, 520KB SRAM, 448KB ROM, Flash size is 4MB, The display resolution is 240x320, resistive touch. The module includes LCD display screen, backlight control circuit, touch screen control circuit, speaker drive circuit, photosensitive circuit and RGB-LED control circuit. TF card interface, serial interface, temperature and humidity sensor interface (DHT11 interface) and reserved IO port interface, this module supports development in arduino IDE, ESP IDE, Micropython and Mixly.

Features

- 2.8-inch color screen, support 16 BIT RGB 65K color display, display rich colors
- 240X320 resolution
- The sample program has been programmed in the factory and can be plugged in
- With TF card slot for easy expansion storage
- Provide arduino library functions and sample programs to facilitate rapid secondary development
- Support one-click download program
- Military-grade process standards, long-term stable work

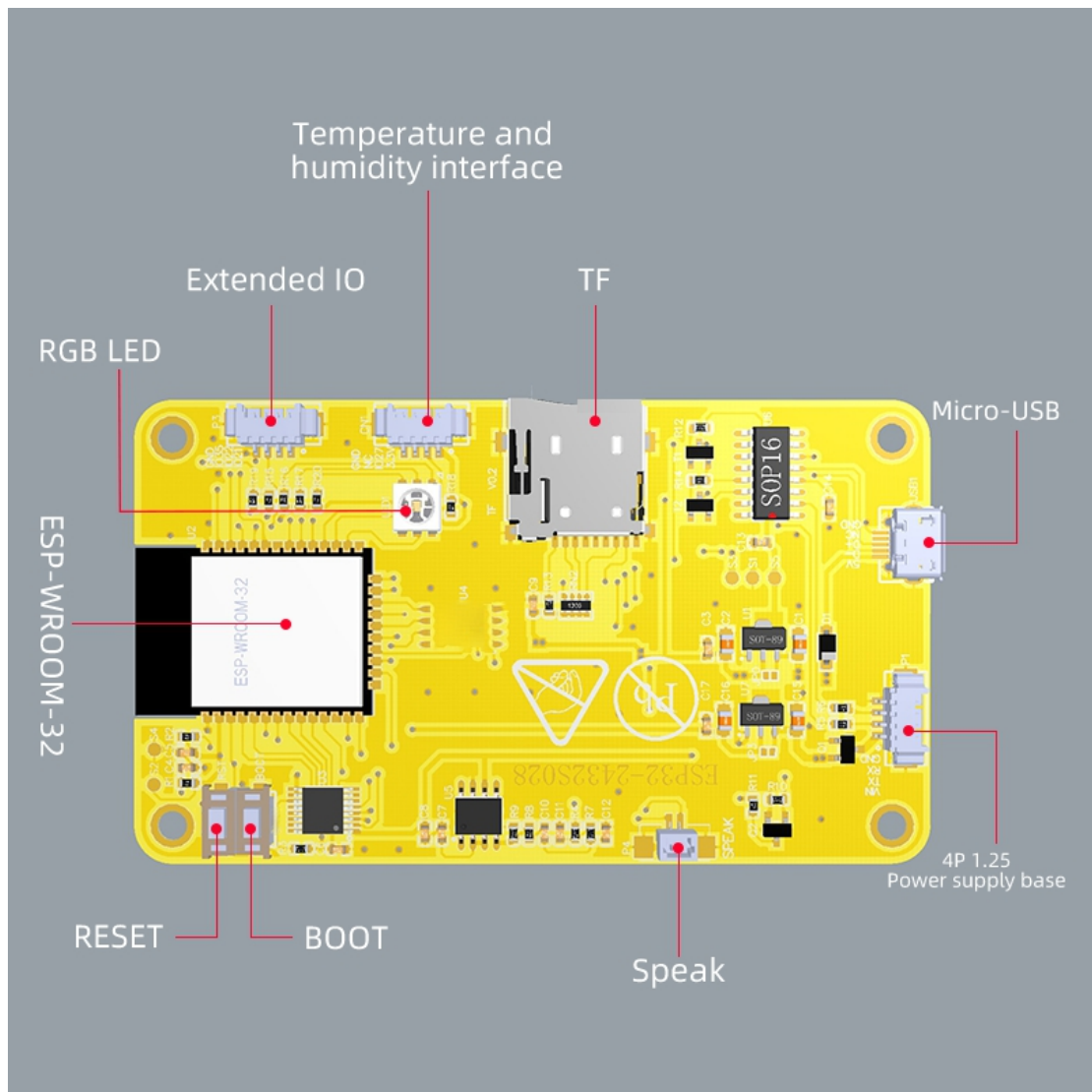


Product parameters

| Name | Describe | Remark |
|------------------------|----------------------------------|--------|
| Display color | RGB 65K color | |
| SKU | Resistive touch: ESP32-2432S028R | |
| Size | 2.8 inch | |
| Type | TFT | |
| Driver chip | ILI9341 | |
| Resolution | 320*240(Pixel) | |
| Effective display area | 43.2*57.6(mm) | |
| Module size | 50.0*86.0(mm) | |
| View | >60° | |
| Operating temperature | -20℃~70℃ | |
| storage temperature | -30℃~80℃ | |
| Operating Voltage | 5V | |
| Power consumption | About 115mA | |
| Product weight | About 50g | |



Interface Description





Product Size

