



motorola



Face
Detection



People
Counting



IP67
Protection

hellosecurity

MTIDM045702

5MP Face Detection Dome IP Camera

General characteristics:

5MP (2592 × 1944) high resolution

H.265 full real time coding

40m Infrared night view distance

Intelligent Analytics: Face detection, Object removal/abandoned detection, Abnormal video signal, Line crossing, Intrusion, People counting, Crowd density

True WDR, 120dB

Supports 3D DNR, HLC, BLC, Smart IR and ROI coding

Built in MIC and MIC IN Audio input; Hardware reset

Built-in micro SD card slot, 128GB

One CVBS output channel

Auto ICR, true day/night

IP67 Ingress Protection

IK10 protection*

PoE

ONVIF Profile S and Profile G compliant

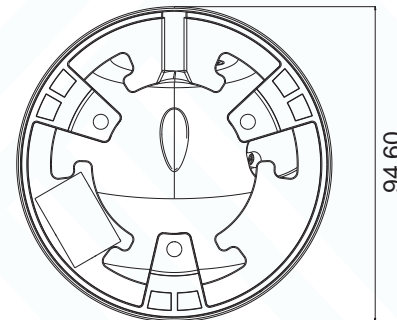
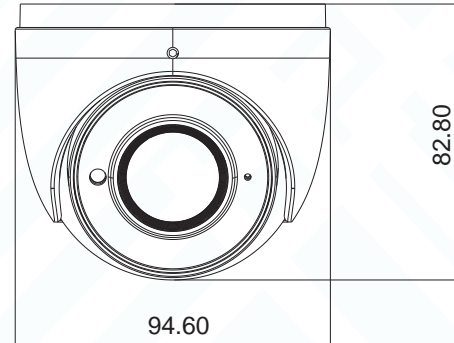


motorola

Model: MTIDM045702

Camera	
Camera Type	Mini Dome
Image Sensor	1/2.5" CMOS
Lens	Fixed 3.6mm @ F1.6, horizontal field of view 79°
Mount Type	M12
Scanning System	Progressive
Image Size	2592 x 1944
Iris Type	Fixed
Electronic Shutter Speed	NTSC: 1/30s~1/100,000s PAL: 1/25s~1/100,000s
Minimum Illumination	0.023 lux @ F1.6, AGC ON; 0 lux with IR
IR Distance	40m
Angle Adjustment	Pan: 0° ~ 360°; Tilt: 0° ~ 75°; Rotation: 0° ~ 360°
Video	
Resolution	5MP (2592 x 1944), 4MP (2592 x 1520), 2K (2560 x 1440), 3MP (2304 x 1296), 2MP (1920 x 1080), 720P (1280 x 720), D1 / CIF (480 x 240)
Video Compression	H.265+ / H.265 / H.264+ / H.264 / MJPEG
Image System	NTSC / PAL
Frame Rate	Main Stream:
	Sub Stream:
	Third Stream:
Stream Capability	3 Streams
High Frame Rate Mode	Main Stream 1080P / 720P (1~60fps / 1~50fps)
Bit Rate	128 Kbps ~ 10 Mbps
Bit Rate Type	VBR / CBR
Audio Compression	G711A / U
BLC	Yes
HLC	Yes
WDR	120dB
Defog	Yes
AGC	Yes
Noise Reduction	3D DNR
Day/Night	Automatic ICR
Image Settings	ROI, Saturation, Brightness, Chroma, Contrast, Wide Dynamic, Sharpen, NR, etc. adjustable through client software or web browser
ROI	Each ROI can be configured separately
Motion Detection	Yes
Privacy Masking	Max. 4 Areas
Mirror	Yes
Flip	Yes
Software & Network	
Remote Monitoring	Web browsing, MVMs, hellosecurity APP
Management Software	MVMs AI, MVMs ENTERPRISE
Mobile APP	iOS, Android
Online Connection	Support simultaneous monitoring for up to 10 users; Support multi-stream real time transmission
Protocol	TCP/IP UDP DHCP NTP RTSP PPPoE DDNS SMTP FTP, HTTPS, SNMP, 802.1X, QoS
Interoperability	ONVIF (Profile S/Profile G) P2P Optional
Bandwidth Self-adaptation	Yes
Browser	Internet Explorer 11
Interfaces	
Video Output (CVBS)	CVBS output (BNC x 1)
Audio In/Out	1/0
Alarm In/Out	0/0
Built in Mic	Yes
RS485	No
Hardware Reset	Yes
Micro SD Card Slot	Yes (up to 128GB)
Ingress Protection	IP67
Vandal Resistance	IK10*
Network	RJ45 10/100 Mbps
Functions	
Smart Alarm	Motion detection; Sensor alarm; SD card error; SD card full; IP conflict; Network disconnection
Intelligent Analytics	Face Detection, People Counting, Crowd Density, Line Crossing Detection, Intrusion Detection, Object Detection, Exception,
General function	Watermark, IP address filtering, video mask, heartbeat, password protection
Others	
Power Supply	DC12V / PoE (802.3af)
Power Consumption	< 6W
Operating Environment	-30°C ~ +60°C Humidity: less than 95% (non condensing)
Casing	Metal
Dimensions (mm)	94.6 x 82.8
Weight (net)	Approx. 0.46kg

hellosecurity



* Camera housing with IK10 rating.