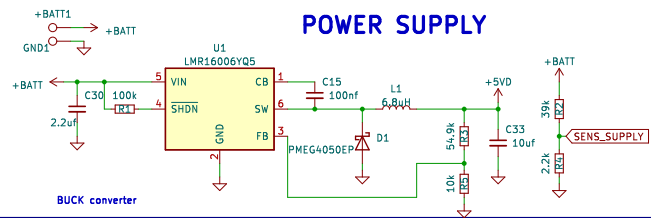
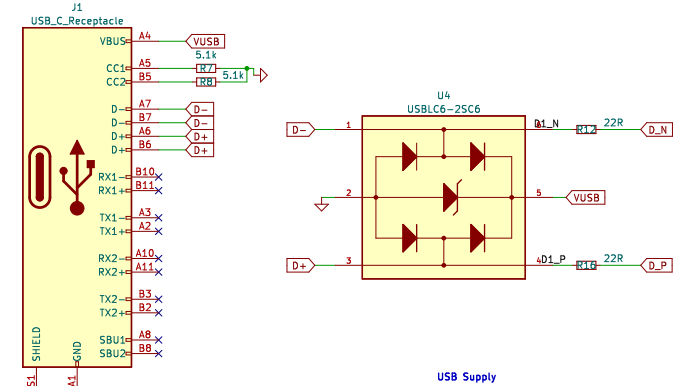


# FOC ESC

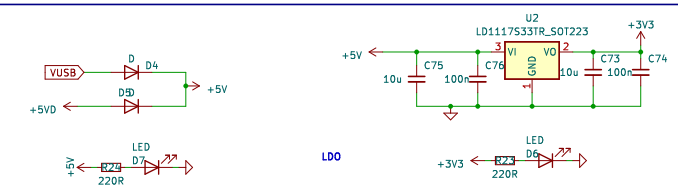
## POWER SUPPLY



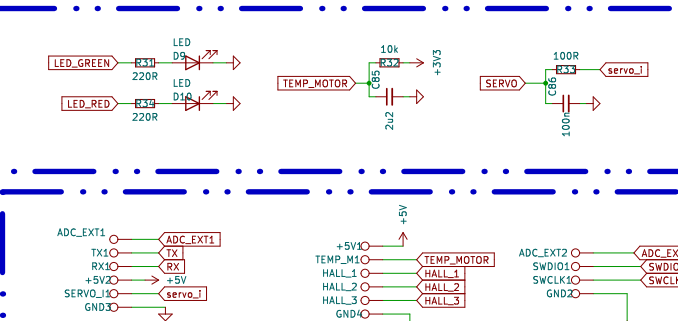
BUCK converter



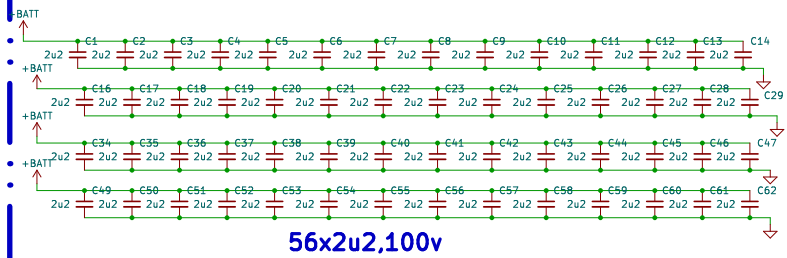
USB Supply



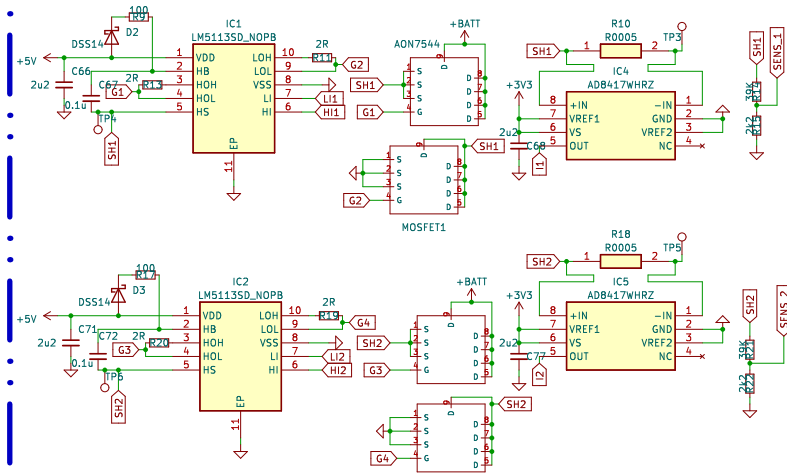
LDO



## CONNECTORS

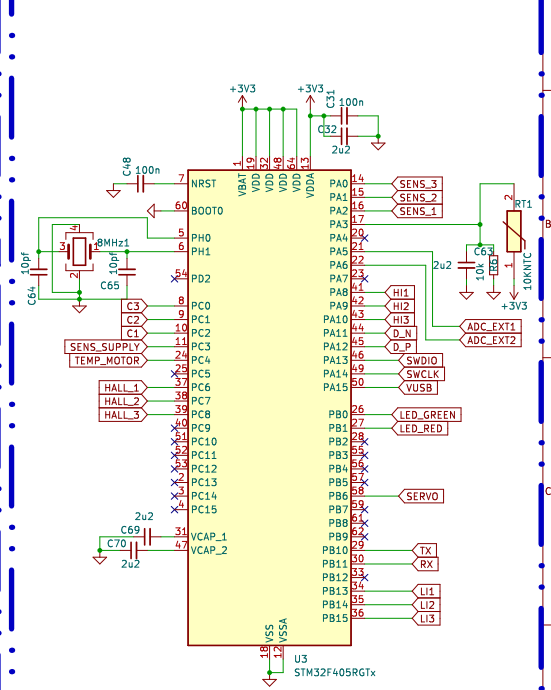


56x2u2.100v

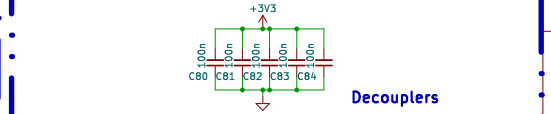


RC Filters

MOSFETS



## MICROCONTROLLER



Decouplers

Sheet: /		File: FOC_ESC.kicad_sch	
<b>Title:</b>			
Size: A3	Date:	Rev:	
KiCad E.D.A. eeschema 7.0.2-0		Id: 1/1	