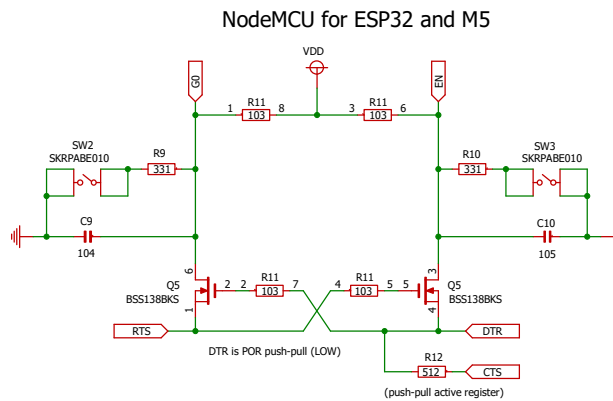
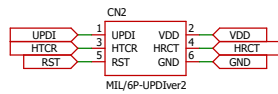


DTR Mode  
0 UART  
1 UPDI



DTR RTS -> EN G0

1	1	1	1	Normal
0	0	1	1	Normal
1	0	0	1	Reset
0	1	1	0	Download

### DFU for STM32 and ATSAM

