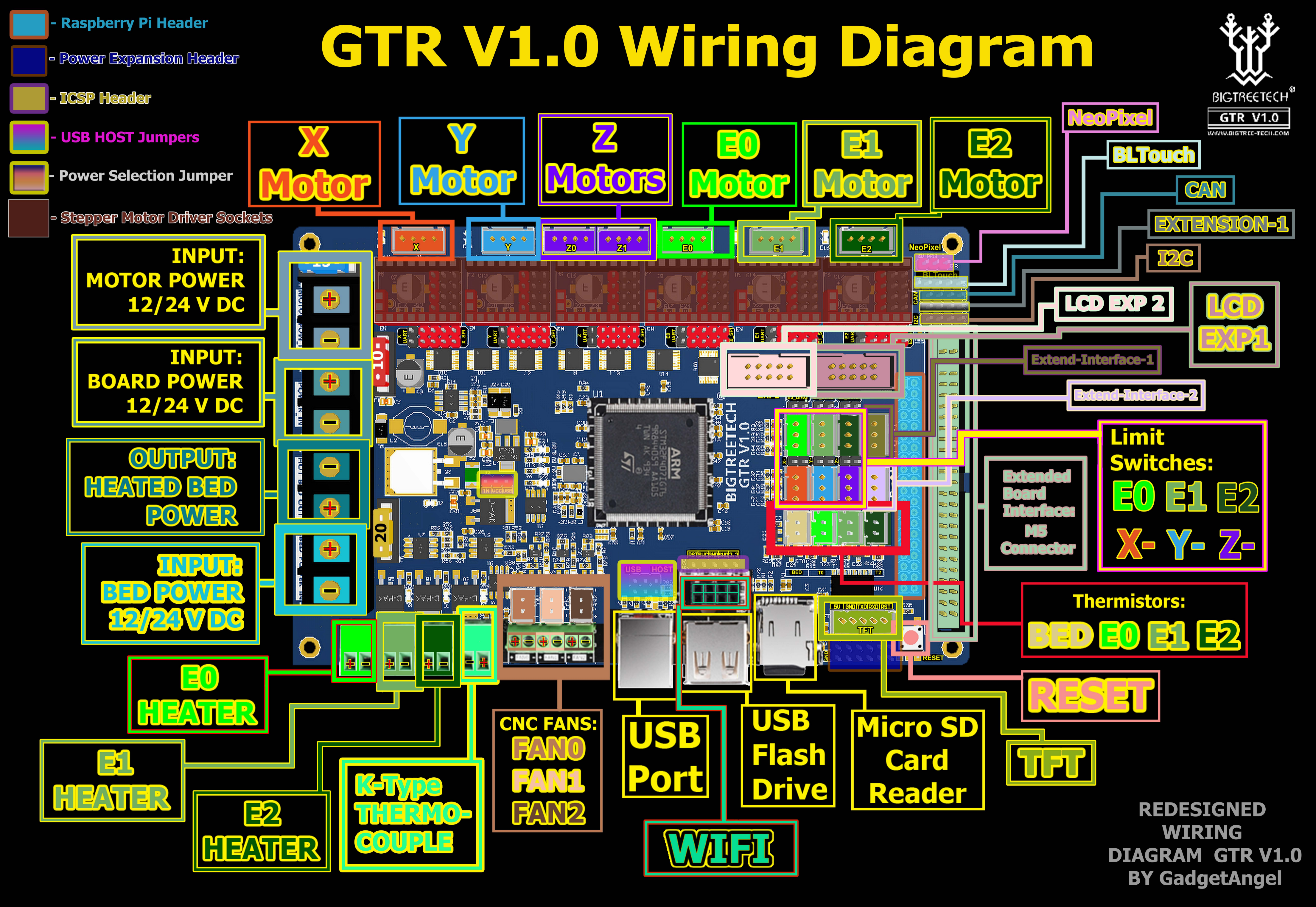


GTR V1.0 Wiring Diagram



- Raspberry Pi Header
- Power Expansion Header
- ICSP Header
- USB HOST Jumpers
- Power Selection Jumper
- Stepper Motor Driver Sockets

X Motor **Y Motor** **Z Motors** **E0 Motor** **E1 Motor** **E2 Motor**

INPUT:
MOTOR POWER
12/24 V DC

INPUT:
BOARD POWER
12/24 V DC

OUTPUT:
HEATED BED POWER

INPUT:
BED POWER
12/24 V DC

NeoPixel
BLTouch
CAN
EXTENSION-1
I2C
LCD EXP 2
LCD EXP1
Extend-Interface-1
Extend-Interface-2

Limit Switches:
E0 E1 E2
X- Y- Z-

Extended Board Interfaces:
M5 Connector

Thermistors:
BED E0 E1 E2

RESET

E0 HEATER

E1 HEATER

E2 HEATER

K-Type THERMO-COUPLE

CNC FANS:
FAN0
FAN1
FAN2

USB Port

USB Flash Drive

Micro SD Card Reader

TFT

WIFI