

IP Remote Controller

Operating Instructions _____ **GB**

Mode d'emploi _____ **FR**

Manual de instrucciones _____ **ES**

RM-IP10



Before operating the unit, please read this manual thoroughly and retain it for future reference.

Owner's Record

The model and serial numbers are located on the bottom. Record the serial number in the space provided below. Refer to these numbers whenever you call upon your Sony dealer regarding this product.

Model No. RM-IP10

Serial No. _____

WARNING

To reduce the risk of fire or electric shock, do not expose this apparatus to rain or moisture.

To avoid electrical shock, do not open the cabinet. Refer servicing to qualified personnel only.

WARNING

Use the Sony MPA-AC1 AC power adapter provided with this equipment as a power supply source. Any other power sources may result in hazards such as a fire. Disconnect device of this equipment is the mains plug of the AC adapter.

The mains plug on this equipment must be used to disconnect mains power.

Please ensure that the socket outlet is installed near the equipment and shall be easily accessible.

In the event of abnormal operations, disconnect the mains plug.

IMPORTANT

The nameplate is located on the bottom.

For the customers in the U.S.A.

This equipment has been tested and found to comply with the limits for a Class A digital device, pursuant to part 15 of the FCC Rules. These limits are designed to provide reasonable protection against harmful interference when the equipment is operated in a commercial environment. This equipment generates, uses, and can radiate radio frequency energy and, if not installed and used in accordance with the instruction manual, may cause harmful interference to radio communications. Operation of this equipment in a residential area is likely to cause harmful interference in which case the user will be required to correct the interference at his own expense.

You are cautioned that any changes or modifications not expressly approved in this manual could void your authority to operate this equipment.

All interface cables used to connect peripherals must be shielded in order to comply with the limits for a digital device pursuant to Subpart B of part 15 of FCC Rules.

This device complies with part 15 of the FCC Rules. Operation is subject to the following two conditions:
(1) This device may not cause harmful interference, and
(2) this device must accept any interference received, including interference that may cause undesired operation.

For the customers in Canada

This Class A digital apparatus complies with Canadian ICES-003.

For the customers in Europe, Australia and New Zealand

WARNING

This is a Class A product. In a domestic environment, this product may cause radio interference in which case the user may be required to take adequate measures.

In the case that interference should occur, consult your nearest authorized Sony service facility.

For the customers in Europe

This product has been manufactured by or on behalf of Sony Corporation, 1-7-1 Konan Minato-ku Tokyo, 108-0075 Japan. Inquiries related to product compliance based on European Union legislation shall be addressed to the authorized representative, Sony Deutschland GmbH, Hedelfinger Strasse 61, 70327 Stuttgart, Germany.

This apparatus shall not be used in the residential area.

Table of Contents

Getting Started

Precautions	4
-------------------	---

Overview

Features	4
Location and Function of Parts	5

Connections and Operations

Connections	12
Connecting cameras that are compatible with IP connection	12
Connecting cameras equipped with VISCA RS-232C connector	14
Connecting cameras equipped with VISCA RS-422 connector	15
Connecting the BRU-SF10 Optical Multiplex Unit	16
Connecting a video switcher	17
Turning on the Power	17
Storing the Camera Settings in Memory – Presetting Feature	18
Setting the speed of the camera moving to a preset position	19
Using the Function Stored in the Memory of the RM-IP10	20
Setting a limit on the maximum panning/tilting speed	20
To Return to the Factory Setting	20

Appendix

Troubleshooting	21
Specifications	22
Dimensions	23
Pin Assignments	23
Using the VISCA RS-422 connector plug	24
Example connection of TALLY/CONTACT connector for input	25
Example connection of TALLY/CONTACT connector for output	25
Input Waveform of TALLY/CONTACT Connector	25
License	26

Using the CD-ROM Manual

The guide of the setting software “RM-IP10 Setup Tool” can be read on a computer with Adobe Reader installed.

You can download Adobe Reader free from the Adobe website.

- 1 Open the index.html file in the CD-ROM.
- 2 Select and click on the guide that you want to read.

Note

If you have lost or damaged the CD-ROM, you can purchase a new one from your Sony dealer or Sony service counter.

- Microsoft and Windows are registered trademarks of Microsoft Corporation in the United States and/or other countries.
- Intel and Core are registered trademarks of Intel Corporation or its subsidiaries in the United States and other countries.
- Adobe and Adobe Reader are trademarks of Adobe Systems Incorporated in the United States and/or other countries.

All other company and product names are trademarks or registered trademarks of the respective companies or their respective makers.

Precautions

Operating or storage location

Operating or storing the unit in the following locations may cause damage to the unit:

- Extremely hot or cold places (Operating temperature: 0 °C to 40 °C [32 °F to 104 °F])
- Exposed in direct sunlight for a long time, or close to heating equipment (e.g., near heaters)
- Close to sources of strong magnetism
- Close to sources of powerful electromagnetic radiation, such as radios or TV transmitters
- Locations subject to strong vibration or shock

Ventilation

To prevent heat buildup, do not block air circulation around the unit.

Transportation

When transporting the unit, repack it as originally packed at the factory or in materials equal in quality.

Cleaning

- Use a soft, dry cloth to clean the external surfaces of the unit. Stubborn stains can be removed using a soft cloth dampened with a small quantity of detergent solution, then wipe dry.
- Do not use volatile solvents such as alcohol, benzene or thinners as they may damage the surface finishes.

On moisture condensation

If the unit is suddenly taken from a cold to a warm location, or if ambient temperature suddenly rises, moisture may form on the outer surface of the unit and/or inside of the unit. This is known as condensation. If condensation occurs, turn off the unit and wait until the condensation clears before operating the unit. Operating the unit while condensation is present may damage the unit.

On parts life expectancy

The life expectancy of the AC adapter and the electrolytic capacitor is about 5 years under normal operating temperatures and normal usage (8 hours per day; 25 days per month). If usage exceeds the above normal usage frequency, the life expectancy may be reduced correspondingly.

Features

Operate up to 112 cameras*¹ by using the IP connection

You can operate up to 112 cameras by using a commercially available switching hub. The cameras can be operated by up to five IP remote controllers connected to the network*².

By using the supplied setup software, you can set the IP addresses of the 112 cameras and five IP remote controllers from your PC.

*1 Supported cameras: BRC-H900/Z330 with the optional BRBK-IP10 IP control card inserted, BRC-Z700 with the optional BRBK-IP7Z IP control card inserted, SRG-300H, SRG-120DH. (As of January 2014)

*2 The network should be independent from other systems and networks. When controlling a camera that is on a network of a different segment via a router, that network also should be independent. Using on a line with a packet loss or delay may cause a malfunction. Do not connect to the network that uses a public network, such as the internet.

Do not have more than 112 cameras, 5 IP remote controllers, one PC for setting, connected with the IP connection.

The router is compatible with the IP remote controller with the firmware version 2.1 or higher, and BRBK-IP10/IP7Z optional card with the firmware version 2.1 or higher.

Compatible with VISCA RS-232C/RS-422*³

You can select the one communication method from the IP, RS-232C, or RS-422 connection.

The unit can control up to seven cameras when the VISCA RS-232C/RS-422 connection is selected.

*3 Supported cameras: BRC-H900, BRC-Z700, BRC-Z330, SRG-300H, SRG-120DH (SRG-120DH is not compatible with the RS-422 connection). (As of January 2014)

Note

You cannot use the multiple communication methods simultaneously.

The optical three-axis joystick allows comfortable pan/tilt/zoom operations.

Easy operation of versatile camera adjustments

Using the buttons on the unit, you can easily perform various adjustments such as auto focusing, one-push auto focus adjustment, AE adjustment, one-push auto white balance adjustment and backlight compensation.

Preset feature to save camera settings

You can save up to 16 combinations of camera settings such as pan/tilt/zoom positions and other camera adjustment values, in the memory of the camera.

Notes

- The operable functions are limited to those that the camera is equipped with.
- This manual mainly explains the functions of the unit for the BRC-H900 camera.

When another camera is connected, refer to the Operating Instructions supplied with that camera for available functions.

System requirements for the PC

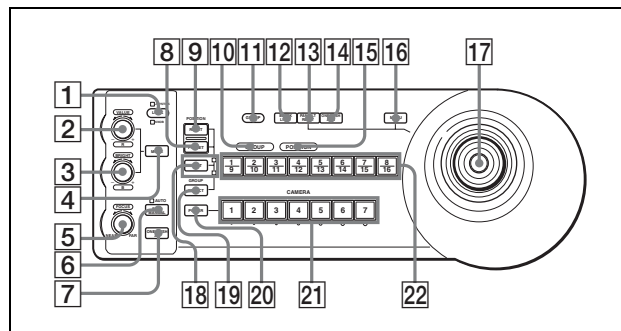
To use the supplied software, you need a PC with the following specifications.

- CPU: Intel Core2 Duo 2.4 GHz or higher (recommended)
- Memory: 1 GB or more (recommended)
- Hard disk: More than 50 MB available
- LAN port: 10BASE-T or 100BASE-TX
- Other: CD-ROM drive, Adobe Reader (for viewing the Operating Instructions on the CD-ROM)
- OS: Microsoft Windows XP, Windows Vista, Windows 7

Location and Function of Parts

This manual is based on operation of the RM-IP10 when used with a BRC series Color Video Camera.

Front



1 LOCK button and JOYSTICK/KNOB indicators

Each time you press the LOCK button for more than one second, the JOYSTICK or/and KNOB indicator(s) turn on or off.*

When the JOYSTICK indicator is on, the 17 Joystick, 13 PAN-TILT RESET button, and 16 MENU button cannot be operated.

When the KNOB indicator is on, the 2 VALUE/R control, 3 BRIGHT/B control, 4 MODE button, 5 FOCUS control, 6 AUTO/MANUAL button, and 7 ONE PUSH AF button cannot be operated.

* For details of the lighting pattern of the JOYSTICK/KNOB indicators, check the setting of DIP 1 switches 7 and 8.

2 VALUE/R control

When the brightness adjustment mode is selected with the MODE button (with the VALUE indicator lit):

This control adjusts the value of the item (SHUTTER or IRIS) selected on the camera.

When the VALUE indicator is lit, the function of the control varies according to the exposure mode selected on the camera. For details, see “Functions of the VALUE and BRIGHT controls” on page 6.

When the white balance adjustment mode is selected with the MODE button (with the R indicator lit):

This control adjusts the R. GAIN (red gain).

The function of the control with the R indicator lit varies according to the white balance mode selected

on the camera. For details, see “Functions of the R and B controls” on page 6.

3 BRIGHT/B control
When the brightness adjustment mode is selected with the MODE button (with the BRIGHT indicator lit):

This control adjusts the value of the brightness of the camera, etc.

When the BRIGHT indicator is lit, the function of the control varies according to the exposure mode selected on the camera. For details, see “Functions of the VALUE and BRIGHT controls” on page 6.

When the white balance adjustment mode is selected with the MODE button (with the B indicator lit):

This control adjusts the B. GAIN (blue gain).

The function of the control with the B indicator lit varies according to the white balance mode selected on the camera. For details, see “Functions of the R and B controls” on page 6.

Functions of the VALUE and BRIGHT controls

The functions of the VALUE control and the BRIGHT control change according to the exposure mode setting on the camera, as follows:

Exposure mode on the camera	Function of VALUE control	Function of BRIGHT control
FULL AUTO	Not assigned	Exposure compensation level control (When the exposure compensation function is activated on the camera.)
BACK LIGHT***	Not assigned	
SPOT LIGHT***	Not assigned	
SHUTTER Pri	Shutter speed control	
IRIS Pri	Iris control	
GAIN Pri**	Gain control**	AE level control****
BRIGHT	Not assigned	Brightness level control
MANUAL	Shutter speed control	Iris control*

* Iris and gain controls are operable when DIP 2 switch 3 is set to ON.

** Available for the BRC-Z700 and BRC-Z330 only

*** Available for the BRC-H900 only

**** Available for the BRC-H900, SRG-300H, and SRG-120DH only

Functions of the R and B controls

When the white balance adjustment mode is selected with the MODE button of this unit, the functions of the R control and B control change according to the white balance mode setting in the menu of the camera.

White balance mode on the camera	Function of the R control	Function of the B control
MANUAL	Red gain control	Blue gain control
AUTO1*	WB R.SHIFT control*	WB B.SHIFT control*
AUTO2*		
AUTO**	OFF SET control**	OFF SET control**
ONE PUSH		

* BRC-Z700 and BRC-Z330 only

** BRC-H900 only

4 MODE button

Press this button to select the function of the VALUE/R control and BRIGHT/B control. When the brightness adjustment mode is selected, the VALUE and BRIGHT indicators are lit. When the white balance adjustment mode is selected, the R and B indicators are lit.

5 FOCUS control

This control is enabled when MANUAL is selected with the AUTO/MANUAL button. Turn the control counterclockwise (toward NEAR) to focus on a near subject, and clockwise (toward FAR) to focus on a far subject.

6 AUTO/MANUAL button and AUTO indicator

Press this button to select focus mode AUTO or MANUAL. When AUTO is selected, the AUTO indicator lights and the camera focuses automatically on the subject in the center of the screen. The FOCUS control and the ONE PUSH AF button are disabled. When MANUAL is selected, the FOCUS control and the ONE PUSH AF button are enabled (with the FOCUS indicator lit). For the BRC-Z700 or BRC-Z330, you can adjust the focus manually if AF ASSIST is set to ON in the FOCUS menu. For details, refer to the Operating Instructions of the BRC-Z700 or BRC-Z330.

7 ONE PUSH AF button

This button is enabled when MANUAL is selected with the AUTO/MANUAL button. Press the button to perform the one-push auto focus function.

8 PRESET button

Hold down this button and press one of the GROUP/POSITION buttons. The current camera settings are then stored in the memory of the camera corresponding to the pressed GROUP/POSITION button.

9 RESET button

Hold down this button and press one of the GROUP/POSITION buttons. The memory of the camera corresponding to the pressed GROUP/POSITION button is then cleared to the factory-preset condition.

When multiple cameras are connected with RS-232C/RS-422, the camera addresses are set by holding down this button and pressing the POWER button.

10 GROUP indicator**11 GROUP button**

While holding down this button, the GROUP indicator lights and the GROUP/POSITION button of the group number that is being operated lights in yellow.*

The GROUP button works only for the LAN connection.

* When the upper indicator next to the SHIFT button is lit, the GROUP/POSITION buttons are for group numbers 1 to 8. When the lower indicator next to the SHIFT button is lit, the GROUP/POSITION buttons are for group numbers 9 to 16.

12 BACK LIGHT button

Press this button to enable the backlight compensation function of the camera. Press it again to disable the function.

Hold down the SHIFT button and press this button to enable the spotlight compensation function. This function adjusts the exposure to a darker level if a portion of the subject is brightly lit.

To disable spotlight compensation, hold down the SHIFT button and press this button again.

Notes

- The backlight compensation or spotlight compensation function may not work depending on the camera or exposure mode of the camera. For details, refer to the Operating Instructions supplied with that camera.
- The backlight compensation and spotlight compensation exposure mode of the BRC-H900 differ from the FULL AUTO exposure mode. Spotlight compensation and backlight

compensation adjustment cannot be performed at the same time.

13 PAN-TILT RESET button

Press this button to reset the pan/tilt position of the camera to its initial condition.

14 ONE PUSH AWB button

When the ONE PUSH white balance mode is selected on the camera, press this button to perform the one-push white balance adjustment.

Note

While the one-push white balance adjustment is being performed, the joystick operations (including stop operation) do not work.

15 POSITION indicator**16 MENU button**

Press this button for about one second to display the menu of the camera, return to the main menu, or turn off the menu.

17 Joystick

The joystick is used for pan/tilt and zoom operations. Select the camera you want to control using the CAMERA buttons and operate the joystick.

Panning and tilting

When you incline the joystick right or left, the camera pans. When you incline it forward or backward, the camera tilts.

The pan/tilt speed changes according to the angle of the inclination.

When you release the joystick, the camera movement stops.

Zooming

When you turn the dial on the upper part of the joystick clockwise, the subject becomes larger (zoom in). When you turn it counterclockwise, the subject becomes smaller (zoom out).

To face the camera back to the front

When you press the button on the top of the joystick for one or two seconds, the pan/tilt/zoom are reset and the camera returns to face directly ahead.

18 SHIFT button and indicators

When pressing the SHIFT button, the lower indicator lights and the GROUP/POSITION buttons can be used for group/position numbers 9 to 16. If you release the SHIFT button, the upper indicator will light and the GROUP/POSITION buttons can be used for group/position numbers 1 to 8.

19 SELECT button

The camera group number can be changed by pressing the GROUP/POSITION button while this button is pressed. To select camera group numbers 9 to 16, press and hold the SHIFT button (the lower indicator lights).

The SELECT button works only for the LAN connection.

20 POWER button

Press this button to light the CAMERA button(s) corresponding to the status of the connected camera(s).

Yellow: The power of the camera is on.

Green: The camera is in standby mode.

Off: No camera is connected.

Hold down this button and press CAMERA buttons 1 to 7 to turn on/off the power of the camera corresponding to the pressed button.

21 CAMERA buttons

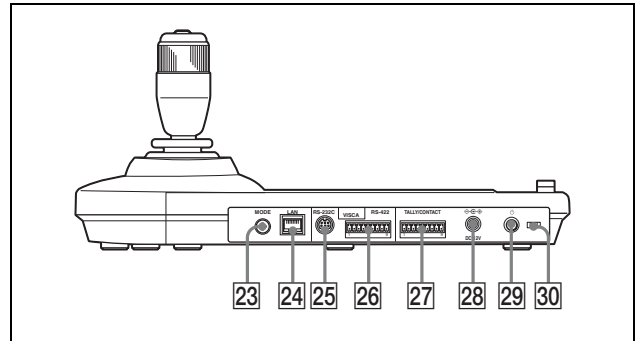
Press one of the buttons to select the camera from among those connected. The selected CAMERA button lights in yellow.

22 GROUP/POSITION buttons

You can store various camera settings such as the pan, tilt and zoom positions to the memory of the camera corresponding to each GROUP/POSITION button, and load the settings in the memory.

This buttons are also used for selecting the camera group number when connecting over a LAN.

Rear



23 MODE selector

Select the position corresponding to the camera to be connected.

Switch position	Camera mode
0	Automatically selected (default)
1	Not used
2	Not used
3	Not used
4	Not used
5	Not used
6	Not used
7	BRC-Z700
8	BRC-Z330
9	BRC-H900

Note

Use positions 7 to 9 when all the connected cameras are of the same model. In other cases, use position 0.

24 LAN connector (RJ-45 8-pin)

For LAN connection.

Connect a LAN HUB (10BASE-T/100BASE-TX), using a LAN cable (category 5 or higher).

When a link is established, the green indicator lights, and it flashes during communication. While connected with 100BASE-TX, the yellow indicator also lights.

Notes

- For safety, do not connect the connector for peripheral device wiring that might have excessive voltage to this port. Follow the instructions for this port.
- When you connect the LAN cable of the unit to peripheral device, use a shielded-type cable to prevent malfunction due to radiation noise.

25 VISCA RS-232C connector
Connect to the VISCA RS-232C IN connector of the camera or the Optical Multiplex Unit.

26 VISCA RS-422 connector
Connect to the VISCA RS-422 connector of the camera or the Optical Multiplex Unit.
An RS-422 connector plug is attached at the factory.

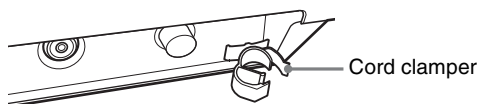
27 TALLY/CONTACT connector
This connector is used for the tally lamp input or the contact output.
Select the function of this connector using the DIP switch on the bottom of the unit.
You can use the factory fitted RS-422 connector plug for this connector.

28 DC IN 12V connector
Connect the supplied AC power adaptor.

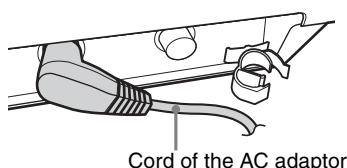
29 (power) switch
Press this switch to turn on/off this unit.

30 Cord clamber
Fixes the cord of the AC power adaptor.

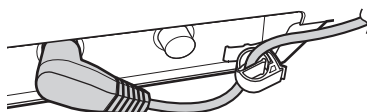
1. Release the lock of the cord clamber.



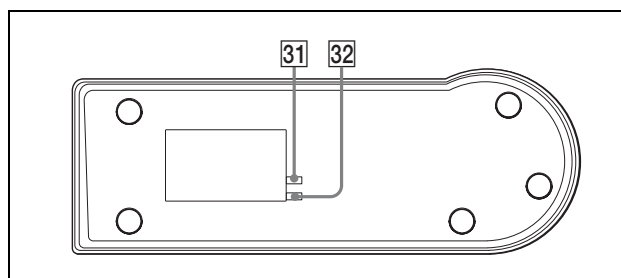
2. Connect the supplied AC power adaptor.



3. Thread the cord of the AC power adaptor into the cord clamber, then close the lock.



Bottom



Notes

- The Mac address is printed on the bottom of the IP remote controller.
- Set the switches before you turn on the power of this unit. Otherwise, the setting is not effective (except for DIP 2 switches 1 and 2).

31 DIP 1 switch

Switch 1: Serial/LAN connection selector

Selects the communication method.
Set ON for serial connection, or OFF for LAN connection.

Switch 2: RS-232C/RS-422 selector

Selects the RS-232C or RS-422 when DIP 1 switch 1 is set to ON.
Set to ON for RS-422, or OFF for RS-232C.

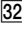
Switch 3: Communication baud rate selector



Selects the communication baud rate for RS-232C/RS-422.
Set to ON for 38,400 bps, or OFF for 9,600 bps.

Switch 4, 5: TALLY/CONTACT switch

Selects the function of the TALLY/CONTACT connector.
You can select the following functions.

Switch 4	Switch 5	Mode
OFF	OFF	<p>NORMAL TALLY mode: The following actions are performed for the number that is input from the TALLY/CONTACT connector only while receiving the commands.</p> <ul style="list-style-type: none"> • The selected camera switches to the camera matching the number of the command from the TALLY/CONTACT connector. – When the selected camera number matches that of the command from the TALLY/CONTACT connector: The selected camera is not switched, and can continue to be operated.

Switch 4	Switch 5	Mode
		<p>– When the selected camera does not receive its own number command from the TALLY/CONTACT connector: The selected camera switches to the camera whose number matches that of the command from the TALLY/CONTACT connector. If two or more numbers are received from the TALLY/CONTACT connector, the camera with the smallest number is selected. You can operate the selected camera after returning the joystick to the neutral position. (If you switch cameras and the camera group number changes, the GROUP/POSITION button lights up for about 1 second.)</p> <ul style="list-style-type: none"> • The selected CAMERA button will flash in red and yellow alternately. • If two or more numbers are received from the TALLY/CONTACT connector, CAMERA buttons which are not selected will light in red. You can select a camera by pressing its respective CAMERA button (lit in red). • The tally lamp of the camera receiving a command from the TALLY/CONTACT connector lights.* <p>Complement:</p> <ul style="list-style-type: none"> • When there are no commands from the TALLY/CONTACT connector, the tally lamp of the selected camera lights.* • If commands from the TALLY/CONTACT connector stop, the selected camera is not changed. <p>* If  DIP 2 switch 5 is set to ON, camera TALLY lamps will not light.</p>

Switch 4	Switch 5	Mode
ON	OFF	<p>ON AIR TALLY mode: The following actions are performed for the number that is input from the TALLY/CONTACT connector only while receiving the commands.</p> <ul style="list-style-type: none"> • The corresponding CAMERA button lights in red. • A camera can be selected arbitrarily. Selecting a CAMERA button lit in red will make it flash in red and yellow alternately. • The tally lamp of the camera receiving a command from the TALLY/CONTACT connector lights.* <p>* If  DIP 2 switch 5 is set to ON, camera TALLY lamps will not light.</p>
OFF	ON	<p>CONTACT mode: The camera number that is selected by the unit is output to the connected peripheral device.</p>
ON	ON	<p>CONTACT (TALLY) mode: The camera number that is selected by the unit is output to the connected peripheral device and the tally lamp of the selected camera lights.*</p> <p>* If  DIP 2 switch 5 is set to ON, camera TALLY lamps will not light.</p>

Switch 6: COMMAND selector

Switches the signal for the TALLY/CONTACT connector between STD (standard method) and EXPAND (expansion method).

Set ON for EXPAND, OFF for STD.

This setting is not effective for RS-232C/RS-422 (fixed as STD).

STD (standard method)

- When treating the TALLY/CONTACT connector as input:
When one of the terminals 1 to 7 is short-circuited to GND, the corresponding number is accepted. (Two or more numbers can be simultaneously accepted.)
- When treating the TALLY/CONTACT connector as output:
Transmits to the external device by earthing one of the terminals 1 to 7.

Tip

When using camera number 8 or higher, use EXPAND.

EXPAND (expansion method)

- When treating the TALLY/CONTACT connector as input:
Treats the terminal 1 to 7 as a binary number.
Accepts as number 1 when the terminal 1 is earthed and terminals 2 to 7 is open.
- When treating the TALLY/CONTACT connector as output:
Treats the terminal 1 to 7 as a binary number, and transmits to the external device.
Number 1 is output when the terminal 1 is earthed and terminal 2 to 7 is high.

About the camera number that is input/output from the TALLY /CONTACT connector

Relation between total of 112 cameras (assigned to the camera numbers 1 to 7 in each of the camera group numbers 1 to 16) and the camera number of TALLY/CONTACT connector is as follows.

Camera group number	Camera number	Camera number of the TALLY/CONTACT connector	
1	1	1	
	2	2	
	⋮	⋮	
	7	7	
	2	1	8
		⋮	⋮
		7	14
⋮			
16	1	106	
	⋮	⋮	
	7	112	

Switch 7, 8: LOCK button function selector

The lock has the following two functions.

- ① Controls and focus lock: The VALUE/R, BRIGHT/B, and FOCUS controls and AUTO/MANUAL button cannot be operated.
- ② Joystick lock: The joystick (slanting, dial on the upper part (zoom), button on the top), MENU button, and PAN-TILT RESET button cannot be operated.

You can select the functions that are locked by using the following settings.

Switch 7	Switch 8	Setting
OFF	OFF	Setting 1: Each time you press the LOCK button, the lock function changes as follows: “①” ↔ unlocked
ON	OFF	Setting 2: Each time you press the LOCK button, the lock function changes as follows: “②” ↔ unlocked
OFF	ON	Setting 3: Each time you press the LOCK button, the lock function changes as follows: “① and ②” ↔ unlocked

Switch 7	Switch 8	Setting
ON	ON	Setting 4: Each time you press the LOCK button, the lock function changes as follows: “①” → “②” → “① and ②” → unlocked → “①” → ...

32 DIP 2 switch

Switch 1: PANEL LIGHT switch

Turns the PANEL button lighting on or off. Set ON (the GROUP/POSITION and CAMERA buttons light in green), or OFF. This switch setting is valid even if you change the setting while the power is turned on.

Switch 2: L/R DIRECTION selector

You can reverse the joystick direction. Set to ON for the reverse operation, or OFF for the standard operation. For the standard operation, the camera is preset to face toward the right (left) when the joystick is inclined to the right (left). For the reverse operation, the camera is preset to face toward the right (left) when the joystick is inclined to the left (right). This switch setting is valid even if you change the setting while the power is turned on.

Switch 3: BRIGHT control function selector

Selects the function of the BRIGHT control. Set to ON for IRIS and GAIN adjustments, or OFF for IRIS adjustment only.

Switch 4: ALL POSITION setting switch

The ALL POSITION function allows you to set the all cameras in the camera groups 15 and 16 to the same preset setting when you load the preset setting to just one camera in group 15 or 16. (Since preset setting is performed for 14 cameras sequentially, they cannot be started simultaneously.) Set to ON to activate this function, OFF to turn this function off. This function works only for the LAN connection.

Switch 5 to 7: Expansion switch

Set to OFF. Complement: Setting switch 5 to ON prevents the TALLY lamp of the camera from lighting in NORMAL TALLY, ON AIR TALLY or CONTACT (TALLY) mode.

Switch 8: Setting update mode switch

Set to ON to active the setting update mode. When set to ON, you can set and change the camera table from the setting software “RM-IP10 Setup Tool,” and check the firmware version of the unit.

Connections

This section focuses on the connection examples for the BRC-H900 camera. For connections with other cameras, refer to the Operating Instructions supplied with the camera you will connect.

Select the IP, RS-232C, or RS-422 connection.* You cannot use multiple communication methods simultaneously.

* BRC-H900/Z330 attached with BRBK-IP10, BRC-Z700 attached with BRBK-IP7Z, SRG-300H, SRG-120DH (SRG-120DH is not compatible with the RS-422 connection). (As of January 2014)

Connecting cameras that are compatible with IP connection

IP connection of cameras, IP remote controllers, and PC

- 1 Connect the LAN connectors of the unit(s) and camera(s) that are compatible with IP connection by using a LAN cable.
You can connect up to 112 cameras and five IP remote controllers on the same network.

Note

When you connect the LAN cable of the unit to a peripheral device, use a shielded-type cable to prevent malfunction that may result from radiation noise.

- 2 Connect the PC for the IP setting on the same network.
 - Use a LAN cable (category 5 or higher).
 - Connect the cameras, IP remote controllers, and PC via a commercially available switching hub (10BASE-T/100BASE-TX). Using on a line of a packet loss or delay may cause a malfunction. Use a high quality network.
 - Do not mix 10BASE-T and 100BASE-TX in the network.
 - The IP address is set at the factory to 192.168.0.10 for RM-IP10, and 192.168.0.100 for BRBK-IP10/BRBK-IP7Z.
 - Network delay happens when stacking the switching hubs. We recommend that stacked switching hubs are limited to two.

- When connecting the LAN connectors of the IP remote controller and camera directly without using a switching hub, use a LAN crossover cable.
- Camera number 1 of camera group number 1 is selected and its IP address is set to 192.168.0.100 at the factory.

Notes

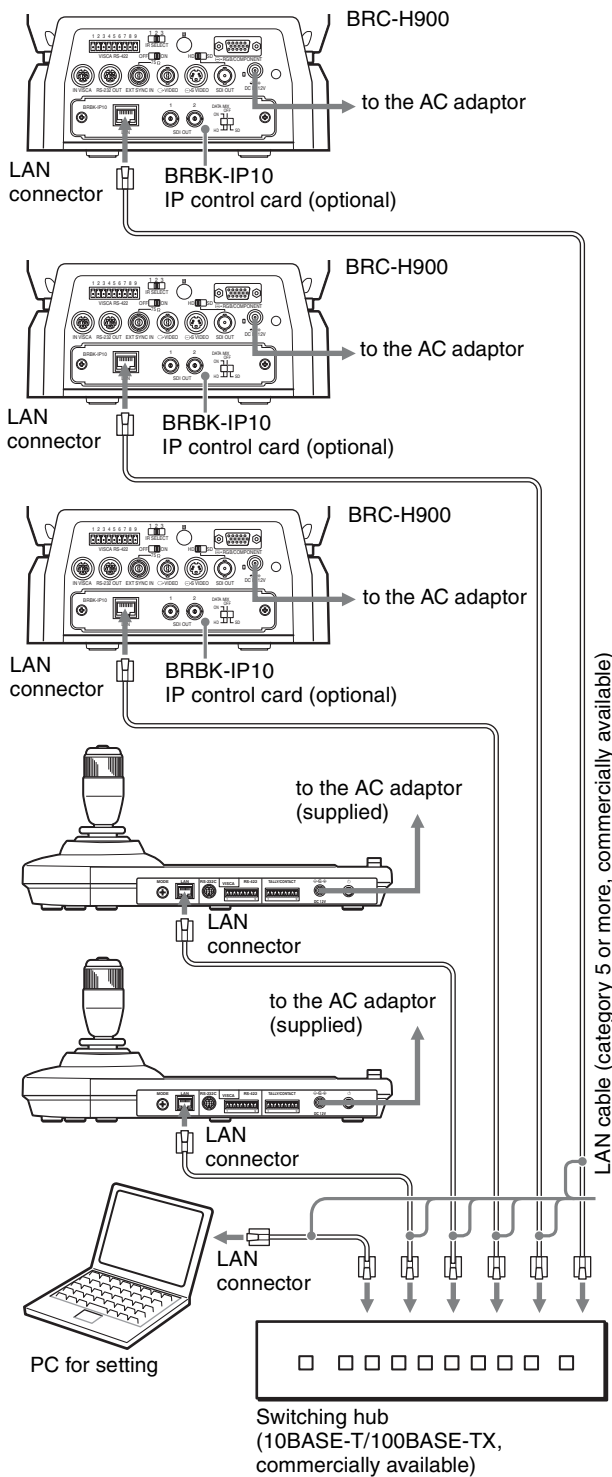
- Do not connect more than 112 cameras, five IP remote controllers, and one PC for IP setting, even if controlling a camera that is on a network of a different segment via a router. If you connect more than this or different types of network equipment, problems may occur, such as delay or IP addresses are not set because of IP address duplication.
- If you perform the setting from multiple PCs by using the setting software “RM-IP10 Setup Tool,” the setting may not be made correctly. Perform the setting from one PC.
- Set the PC so that only the network that you use is enabled.
- Cameras and IP remote controllers cannot be connected to the public network.

- 3 Connect the camera and IP remote controller to AC outlets by using the supplied AC adaptors and AC power cords.
The camera will automatically pan and tilt, and reset to the position stored in position 1 (Pan/tilt reset action).

Note

Set DIP1 switch 1 to OFF for IP connection (page 9).

Connecting example



Default settings for the IP connection

- 1 Set the DIP 2 switch 8 to ON to perform settings of cameras and IP remote controllers (Setting update mode). Then turn the unit on by pressing the switch. The GROUP/POSITION and CAMERA buttons flash in green while the unit is in the setting update mode.

Notes

- Keep all the cameras and IP remote controllers turned on while setting. Do not turn off any camera or IP remote controller while setting.
- When turning on the unit, do not touch the joystick until the GROUP/POSITION and CAMERA buttons start flashing in green (for detecting an origin point).
- When turning on the unit, do not operate the unit until the GROUP/POSITION and CAMERA buttons start flashing in green.

When you use the signal of the TALLY/CONTACT connector in the NORMAL TALLY mode, the selected camera may be changed by this signal. To prevent this, remove the connection of the TALLY/CONTACT connector or set to the ON AIR TALLY mode.

- 2 Perform the following settings from the PC by using the setting software “RM-IP10 Setup Tool” on the supplied CD-ROM. For details of settings, refer to the PDF on the CD-ROM. (For the CD-ROM manual, see “Using the CD-ROM Manual” (page 3).)

- Set the IP address* and name of the camera**

Note

Until about 35 seconds after a camera turns on or is rebooted, settings cannot be changed.

- Set the IP address* and name of the IP remote controller
- Assign each camera to a camera number (CAMERA button), and the camera group number (GROUP/POSITION button) that the camera number belongs to (7 camera numbers in each of 16 camera group numbers, a total of up to 112 cameras). (Camera table setting)**

* If there is a different segment, connect the PC to that segment and perform the settings. If you do not use a gateway, set “Gateway address” to 0.0.0.0.

**To assign a camera of a different segment, use the Export function of “RM-IP10 Setup Tool.”

- Create a “Camera List” csv file for each segment.
- Create a “Camera Table” csv file for the IP remote controller that you want to assign.
- Open all the csv files that you created with a text editor, then add the required information to “Camera Table” from “Camera List.”
- Import the created “Camera Table” to the IP remote controller by using the Import function.

“Unknown camera is assigned.” is displayed on “RM-IP10 Setup Tool” for devices with different segments.

After setting the camera table, make sure that the relation between the camera and the corresponding camera number and camera group number, by operating with the joystick.* If not correct, set the camera table again by using the setting software “RM-IP10 Setup Tool.”

* When the IP remote controller is moved to the different segment, make sure that “Gateway address” is changed.

To select camera group number

Press any GROUP/POSITION button while holding down the SELECT button. (For selecting 9 to 16, select the camera group number while holding down the SHIFT button.)

To select camera number

Press any CAMERA button.

Note

The GROUP/POSITION and CAMERA buttons flash and stop flashing (up to four times) while updating the IP address, name, and the camera table. Do not turn the IP remote controller off for at least 30 seconds. While in this status, do not operate the unit (especially the joystick, which will be detecting an origin point).

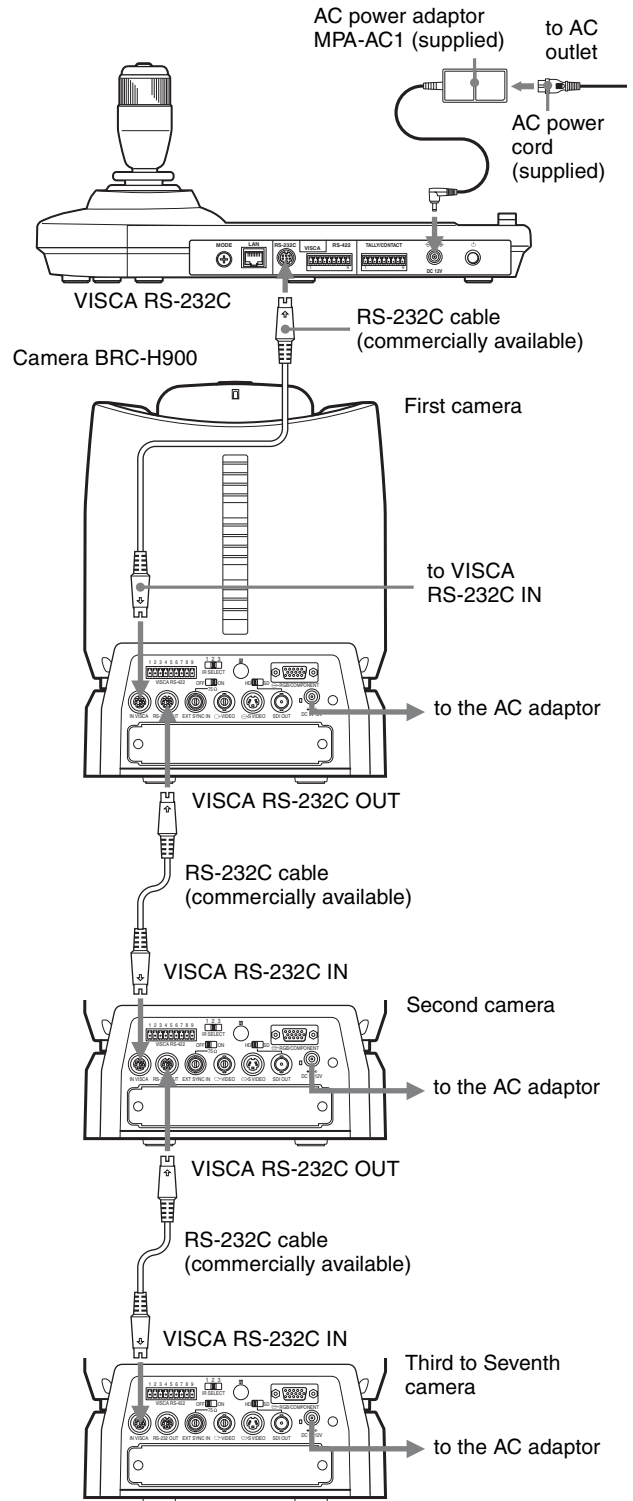
- 3 After completing the settings, turn off the camera, IP remote controller, and PC, then set DIP 2 switch 8 to OFF.

Tip

While the unit is in setting update mode, you can easily check the firmware version of the unit. The firmware version can be checked with the button where the GROUP/POSITION button lights in yellow while holding down the LOCK button. Refer to the RM-IP10 Setup Tool for the detailed firmware version No. (You can also use the LOCK button to check the firmware version in setting update mode.)

Connecting cameras equipped with VISCA RS-232C connector

Connections with the VISCA RS-232C cables (cross type) enable control of up to seven cameras with a single RM-IP10 IP Remote Controller. (An RS-232C cable should be used up to 15 m (49.2 feet).)



Note

When connecting with the VISCA RS-232C connector, make sure that DIP 1 switch 1 is set to ON, and DIP 1 switch 2 is set to OFF (page 9).

To assign camera addresses

Before operating, you must assign the camera addresses to the connected cameras as follows. Then you can switch to the camera to be controlled simply by pressing the corresponding CAMERA button.

- 1** Turn on the power of all the connected cameras and this unit.
- 2** Hold down the RESET button and press the POWER button on this unit.
The unit recognizes the connected cameras and assigns them camera addresses 1 to 7 automatically in the connected order.
- 3** Press the POWER button on this unit and check that the CAMERA buttons light.
The number of the lit CAMERA buttons indicates how many cameras have the addresses assigned. Now you can switch to the camera you want to control by pressing the CAMERA button.

Connecting cameras equipped with VISCA RS-422 connector

Connection via VISCA RS-422 connectors enables control of multiple cameras. This allows the connection up to 1,200 m (3,937 feet) away.

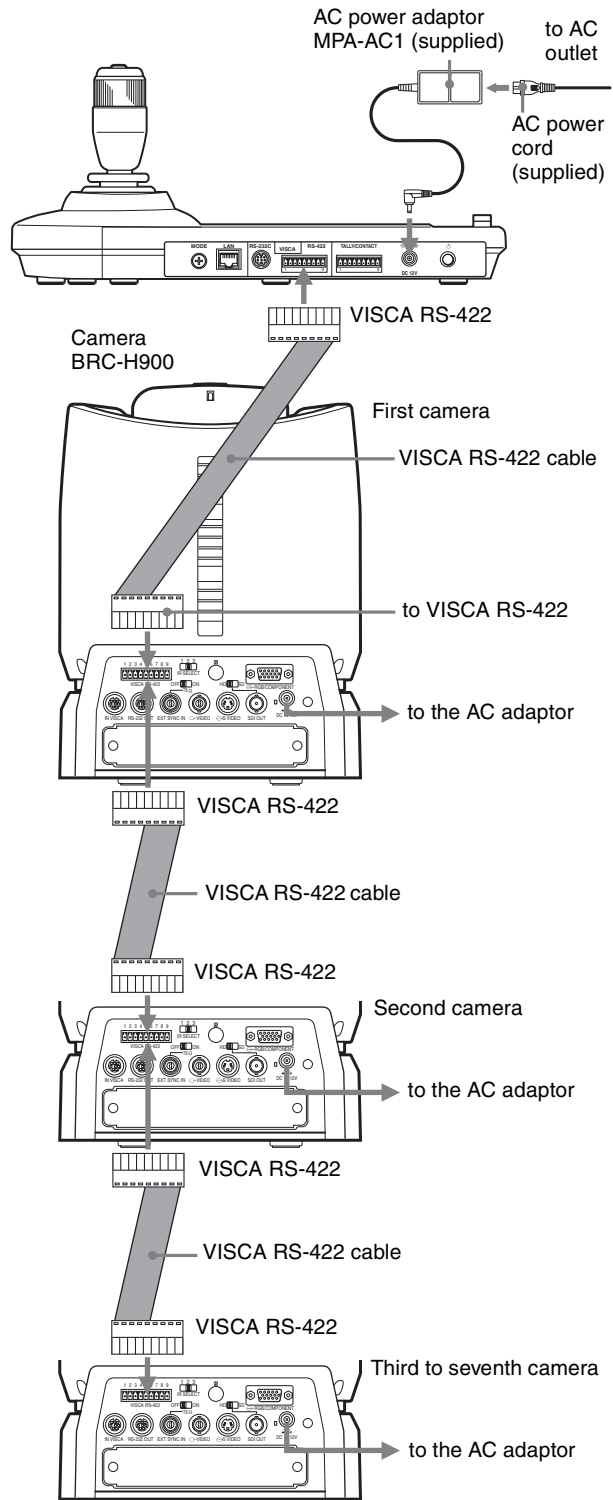
Prepare the connecting cable using the RS-422 connector plug that comes with this unit.

For making the cable, refer to the pin assignments of the VISCA RS-422 connector (page 23).

For the use of the RS-422 connector plugs, see page 24.

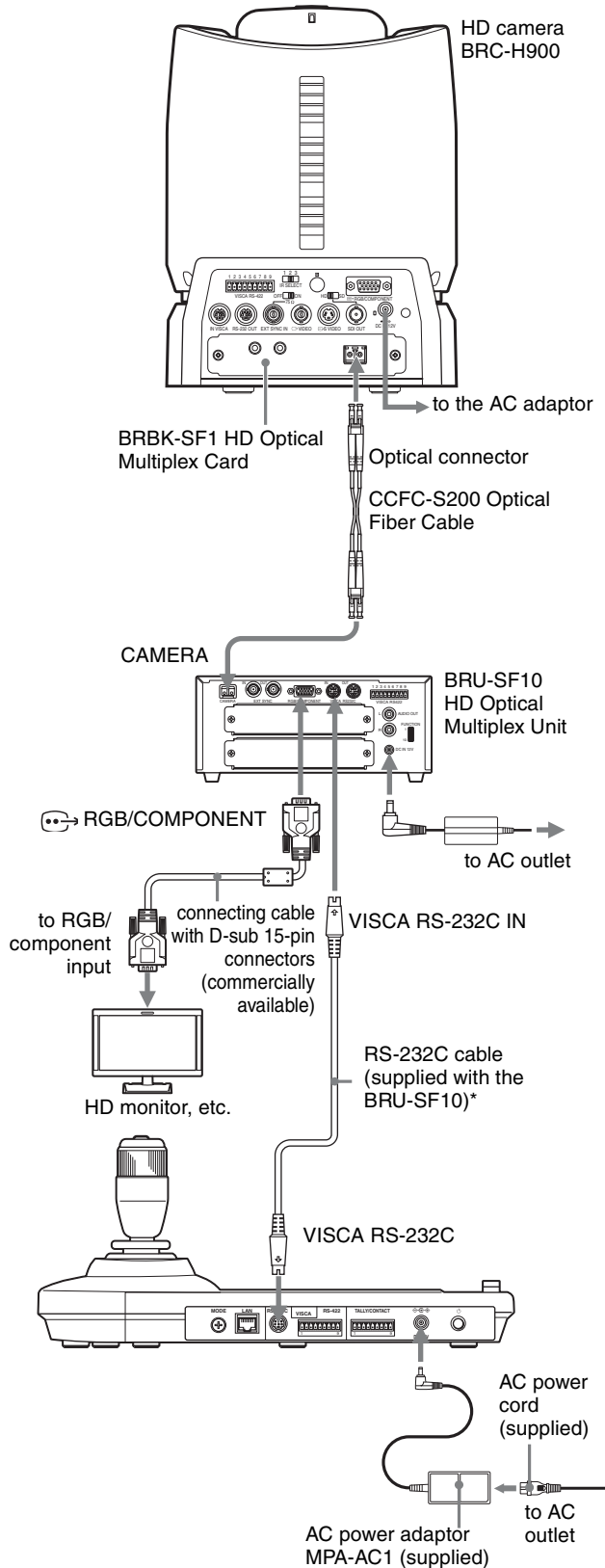
Notes

- When connecting with the VISCA RS-422 connector, make sure that DIP 1 switch 1 is set to ON, and DIP 1 switch 2 is set to ON (page 9).
- When the connections using the VISCA RS-422 connectors are made, the VISCA RS-232C connection is not available.



Connecting the BRU-SF10 Optical Multiplex Unit

You can control the camera using this unit via the BRU-SF10 Optical Multiplex Unit (not supplied).



* The VISCA RS-422 connection is also available if you use the VISCA RS-422 connectors.

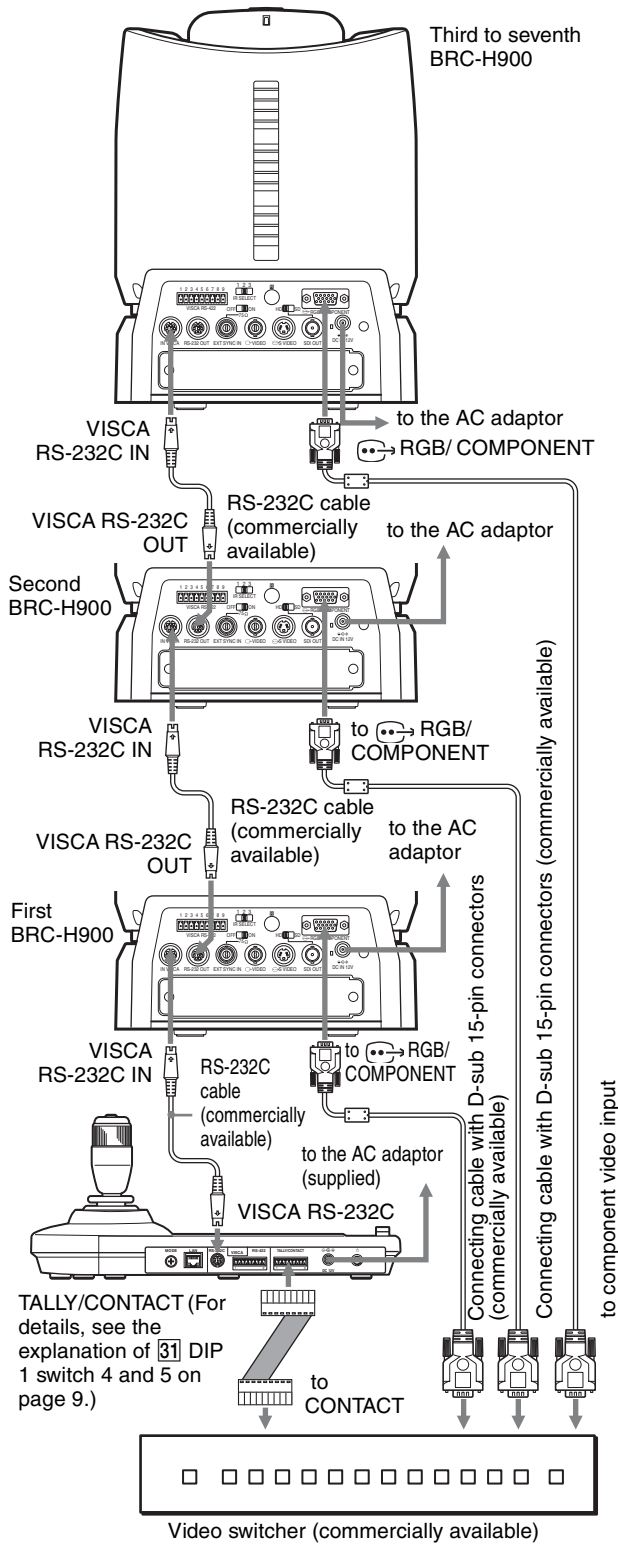
For other cameras, you can also use a matching Optical Multiplex Unit to control the camera with this unit. For details on connection, refer to the Operating Instructions supplied with your camera.

Notes

- When using the VISCA RS-232C connectors or VISCA RS-422 connectors, check the VISCA FUNCTION switch on the rear of the Optical Multiplex Unit and the DIP switch on the bottom of this unit (page 9) are set correctly.
- The BRU-SF10 and BRU-H700 Optical Multiplex Units are not compatible with the IP connection. Use them for the RS-232C or RS-422 connection only.

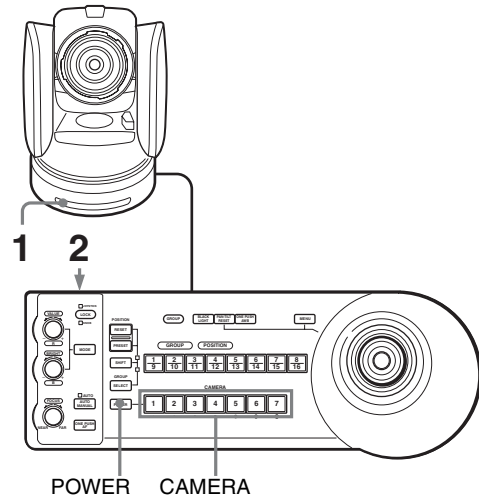
Connecting a video switcher


Use a commercially available contact-control type video switcher to switch between the multiple camera signals to be output.



For connection with a video switcher, refer to the Operating Instructions of the switcher.

Turning on the Power



- 1 Connect the camera to an AC outlet. The power of the camera is turned on and the POWER lamp lights. The camera will automatically pan, tilt, and be reset to the position stored in POSITION 1 (Pan/tilt reset action).
- 2 Press the  switch on the unit to turn it on. When the unit is turned on, buttons and indicators flash as follows: Yellow (1 second) → Green (1 second) → Red (1 second) → The GROUP/POSITION button that was selected when the unit was turned off last (with the upper or lower indicator beside of the SHIFT button and GROUP indicator) and the CAMERA button (2 seconds). Then, the CAMERA button representing the camera whose power was turned off last, lights. (CAMERA 1 button lights by default.) When connecting over a LAN, the unit starts with the last camera group is selected.
- 3 Turn on the peripheral devices.

Notes

- Be sure to turn on the power of the camera before the power of this unit. Otherwise, the unit cannot recognize the connected camera.
- Do not touch the joystick when turning on the power of the unit. Doing so may affect the confirmation of the origin.

To turn on/off the camera using this unit

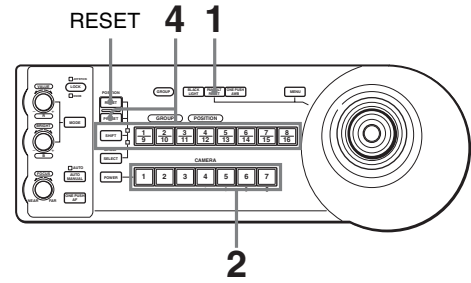
As long as the camera is connected to an AC outlet, you can turn the camera on or off with the POWER button on this unit.

While holding down the POWER button, press the CAMERA button corresponding to the camera whose power you want to turn on/off.

When you turn the power off using this unit, the POWER lamp turns off and the STANDBY lamp lights on the camera.

Storing the Camera Settings in Memory – Presetting Feature

Up to sixteen combinations of settings (sixteen positions), including camera position, zooming, focusing, and backlighting, can be stored in the memory of the camera using this unit.



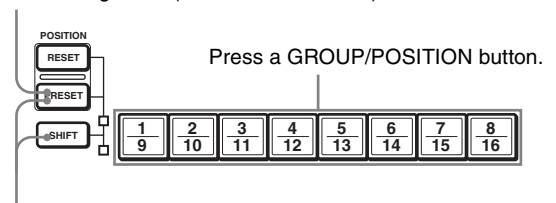
- 1** Press the PAN-TILT RESET button to reset the pan/tilt position.
- 2** Press the CAMERA button to select the camera whose settings you want to preset.

To change camera group number (for IP connection)

Press any GROUP/POSITION button while holding down the SELECT button. (For selecting 9 to 16, select the camera group number while holding down the SHIFT button.)

- 3** Adjust the position, zooming, focusing and backlighting of the camera.
- 4** While holding down the PRESET button (for POSITION 1 to 8) or the SHIFT and PRESET buttons (for POSITION 9 to 16), press the GROUP/POSITION button in which you want to store the settings.

While holding down (for POSITION 1 to 8)



While holding down (for POSITION 9 to 16)

The settings are stored in the memory of the camera.

The pressed button flashes during storing. Flashing stops when storing is completed.

We recommend that you check the stored settings by recalling the preset.

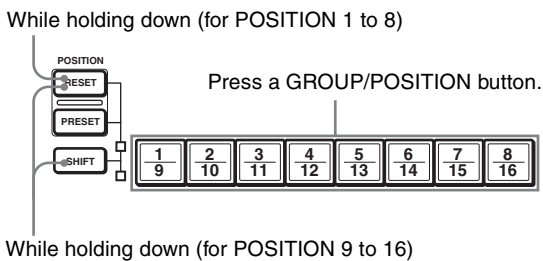
To recall the stored settings

Press the GROUP/POSITION button in which you have stored the settings.

For POSITION 9 to 16, hold down the SHIFT button then press the GROUP/POSITION button.

To cancel the preset memory

While holding down the RESET button (for POSITION 1 to 8) or the SHIFT and RESET buttons (for POSITION 9 to 16), press the GROUP/POSITION button from which you want to cancel the settings.



The pressed button flashes during canceling of the settings. Flashing stops when the settings have been canceled.

Notes

- When the power is turned on, the camera starts with the settings stored in POSITION 1.
- If you want to retain the previous pan and tilt positions when the power is turned off and turned on again, store those positions in POSITION 1.
- When you are storing or canceling the settings in one POSITION, you cannot call up, store or cancel the settings in another POSITION.

Setting the speed of the camera moving to a preset position*

* The moving speed is stored in the internal memory of the camera. BRC-H900, BRC-Z700, and BRC-Z330 are compatible with this function.

You can select the panning/tilting speed when the camera moves to a preset position.

- 1 Press the CAMERA button to select the camera whose speed you want to set.

To change camera group number (for IP connection)

Press any GROUP/POSITION button while holding down the SELECT button. (For selecting 9 to 16, select the camera group number while holding down the SHIFT button.)

- 2 Press the GROUP/POSITION button for which you want to set the speed for more than one second. All the CAMERA buttons, 1 to 7, flash.
- 3 Press one of the CAMERA buttons to select the speed.

CAMERA button	Panning/tilting speed	
	BRC-Z700, BRC-H900	BRC-Z330
1	1 degree/sec.	1.3 degree/sec.
2	2.2 degrees/sec.	3.4 degrees/sec.
3	4.8 degrees/sec.	5.4 degrees/sec.
4	11 degrees/sec.	11.6 degrees/sec.
5	23.3 degrees/sec.	23.9 degrees/sec.
6	43 degrees/sec.	43.4 degrees/sec.
7	60 degrees/sec. (default)	60 degrees/sec. (default)

Now the camera will move to the position preset to the pressed GROUP/POSITION button with the selected speed.

To set the speed of the camera moving to a preset position between 9 and 16

To set the speed of the camera moving to a preset position between 9 and 16, hold down the SHIFT button and press the corresponding GROUP/POSITION button.

Using the Function Stored in the Memory of the RM-IP10

The following function for panning/tilting operations with the RM-IP10 is stored in the memory of this unit.

Setting a limit on the maximum panning/tilting speed

You can limit the panning/tilting speed obtained when you incline the joystick at the maximum angle.

- 1 Hold the PAN-TILT RESET button for more than a second while pressing the SHIFT button. All of the CAMERA buttons 1 to 7 flash.
- 2 Press the CAMERA button corresponding to the speed you want to set, as shown in the table below.

CAMERA button	Maximum panning/tilting speed	
	BRC-Z700, BRC-H900	BRC-Z330
1	3.5 degrees/sec.	4.4 degree/sec.
2	6.4 degrees/sec.	6.7 degrees/sec.
3	11 degrees/sec.	11.6 degrees/sec.
4	18.3 degrees/sec.	18.6 degrees/sec.
5	29 degrees/sec.	29.2 degrees/sec.
6	43 degrees/sec.	43.4 degrees/sec.
7	60 degrees/sec.	60 degrees/sec.

Only the CAMERA button you pressed flashes, and the corresponding maximum panning/tilting speed is set.

Note

If you use another RM-IP10 or you connect another camera to this unit, set a limit on the maximum panning/tilting speed again.

To Return to the Factory Setting

- 1 Turn the unit on while holding down the RESET and SELECT buttons. When the unit is turned on, buttons and indicators flash as follows: Yellow (1 second) → Green (1 second) → Red (1 second) → The GROUP/POSITION button that was selected when the unit was turned off last (with the upper or lower indicator beside of the SHIFT button and GROUP indicator) and the CAMERA button (2 seconds)
- 2 When the GROUP/POSITION and CAMERA buttons flash in green, release the RESET and SELECT buttons, then turn the unit off by pressing the \odot button. When the unit is turned on next time, the unit will start with its factory settings.

Factory settings

- IP address of the IP remote controller: 192.168.0.10
- Subnet mask of the IP remote controller: 255.255.255.0
- Default gateway of the IP remote controller: 0.0.0.0
- Name of the IP remote controller: CTL1
- A camera IP address of 192.168.0.100 is assigned to the camera number 1 of the camera group number 1. No other IP addresses are assigned to any of the other camera numbers or camera group numbers.
- The unit starts with camera number 1 of camera group number 1 selected.
- LOCK button: The lock function is not activated.

Troubleshooting

Before bringing in your unit for service, check the following as a guide to troubleshoot the problem. If the problem cannot be corrected, consult with your Sony dealer.

Symptom	Cause	Remedy
The power of the unit is not turned on.	The AC power adaptor is not connected to the DC IN 12V jack firmly.	Insert the power cord firmly as far as it will go.
	The AC power cord is not inserted firmly into the AC power adaptor or the AC outlet.	Insert the power cord firmly as far as it will go.
The camera cannot be operated with the unit.	Communication setting is not correct.	Select the proper setting with the DIP switch on the bottom of the unit (page 9). Select one of the LAN, RS-232C, and RS-422 connection.
	The communication baud rate setting of the camera and the unit differ. (When connecting with RS-232C/RS-422.)	Select the communication baud rate, 9,600 bps or 38,400 bps, with the DIP switch on the unit (page 9) which is selected on the camera.
	The connection using the VISCA RS-422 connectors is not correctly made. (When connecting with RS-422.)	Check that the connection to the VISCA RS-422 connectors is correctly made, and the RS-422 cable is properly connected.
The unit cannot be operated at all.	—	Pull out the plug of the power cord from the AC outlet, then reinsert it into the AC outlet after a while.
The IP remote controller setting cannot be changed from the setting software “RM-IP10 Setup Tool.”	The IP remote controller is not set to the setting update mode.	Set the IP remote controller to the setting update mode by using the DIP switch on the bottom of the unit (page 9).
The GROUP/POSITION and CAMERA buttons flash in green.	The IP remote controller is set to the setting update mode.	Cancel the setting update mode by using the DIP switch on the bottom of the unit (page 9).
The KNOB/JOYSTICK indicators do not light, or the lighting order is different.	The LOCK button function setting is not correct.	Check the setting of the DIP switch on the bottom of the unit (page 9).
The joystick and PAN TILT and MENU buttons cannot be operated.	The LOCK function is on.	Cancel the LOCK function by pressing the LOCK button.
The GROUP/POSITION and SELECT buttons cannot be operated.	You are not using the IP connection.	These buttons work for the IP connection only.
The camera cannot be operated from the IP remote controller when they are connected to each other directly.	You are not using a LAN crossover cable.	Use a LAN crossover cable when making a one-to-one LAN connection.

Specifications

Input/output connectors

Control input/output

VISCA RS-232C OUT: Mini DIN 8-pin type

VISCA RS-422: 9-pin type

TALLY IN/CONTACT OUT: 9-pin type

LAN: RJ-45 (8-pin), 10BASE-T/100BASE-TX automatically detected

Control signal format (for RS-232C/RS-422 communication)

9,600 bps/38,400 bps

Data: 8 bit

Stop bit: 1

Power connector

JEITA type4 (DC IN 12V)

General

Input voltage 12 V DC (10.8 to 13.2 V DC)

Current consumption

0.3 A max. (at 12 V DC), 3.6 W

Operating temperature

0 °C to 40 °C (32 °F to 104 °F)

Storage temperature

-20 °C to +60 °C (-4 °F to 140 °F)

Dimensions 391.3 mm × 165 mm × 145.9 mm

(15 1/2 inches × 6 1/2 inches × 5 3/4 inches) (w/h/d)

Mass Approx. 950 g (2 lb 15 oz)

Supplied accessories

MPA-AC1 AC power adaptor (Sony) (1)

AC power cord (1)

CD-ROM (1)

RS-422 connector plug (attached to the unit) (2)

Operating Instructions (1)

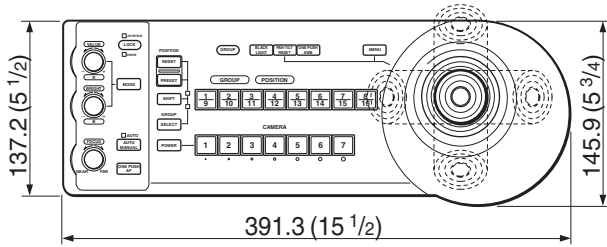
Design and specifications are subject to change without notice.

Notes

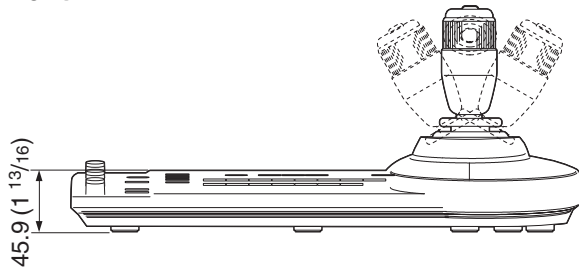
- Always verify that the unit is operating properly before use. SONY WILL NOT BE LIABLE FOR DAMAGES OF ANY KIND INCLUDING, BUT NOT LIMITED TO, COMPENSATION OR REIMBURSEMENT ON ACCOUNT OF THE LOSS OF PRESENT OR PROSPECTIVE PROFITS DUE TO FAILURE OF THIS UNIT, EITHER DURING THE WARRANTY PERIOD OR AFTER EXPIRATION OF THE WARRANTY, OR FOR ANY OTHER REASON WHATSOEVER.
- SONY WILL NOT BE LIABLE FOR CLAIMS OF ANY KIND MADE BY USERS OF THIS UNIT OR MADE BY THIRD PARTIES.
- SONY WILL NOT BE LIABLE FOR THE TERMINATION OR DISCONTINUATION OF ANY SERVICES RELATED TO THIS UNIT THAT MAY RESULT DUE TO CIRCUMSTANCES OF ANY KIND.

Dimensions

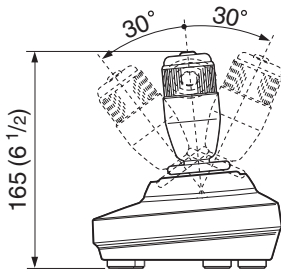
Top



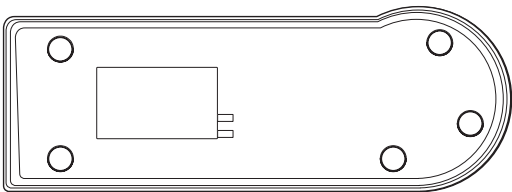
Front



Side



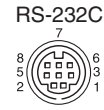
Bottom



Unit: mm (inches)

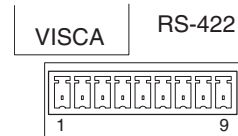
Pin Assignments

VISCA RS-232C output connector (mini DIN 8-pin, female)



Pin No.	Function
1	No connection
2	No connection
3	TXD IN
4	GND
5	RXD IN
6	GND
7	No connection
8	No connection

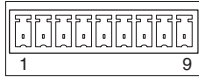
VISCA RS-422 connector (connector plug, 9-pin)



Pin No.	Function
1	No connection
2	No connection
3	No connection
4	No connection
5	GND
6	RXD IN-
7	RXD IN+
8	TXD IN-
9	TXD IN+

TALLY/CONTACT connector (connector plug, 9-pin)

TALLY/CONTACT

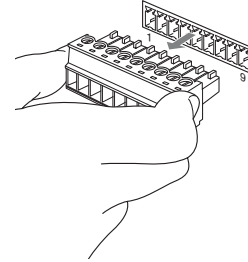


Pin No.	Function
1	CAMERA1
2	CAMERA2
3	CAMERA3
4	CAMERA4
5	CAMERA5
6	CAMERA6
7	CAMERA7
8	GND
9	GND

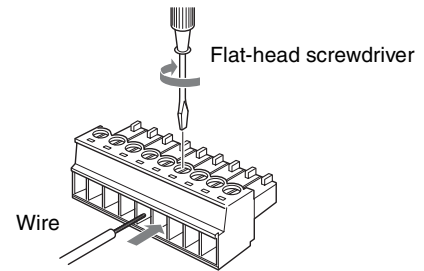
Appendix

Using the VISCA RS-422 connector plug

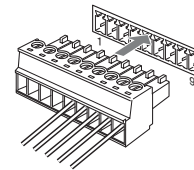
- 1 Grasp both ends of the VISCA RS-422 connector plug and pull it out as shown in the illustration.



- 2 Insert a wire (AWG Nos. 28 to 18) into the desired wire opening on the plug, and tighten the screw for that wire using a flat-head screwdriver.



- 3 Insert the VISCA RS-422 connector plug into the VISCA RS-422 connector.

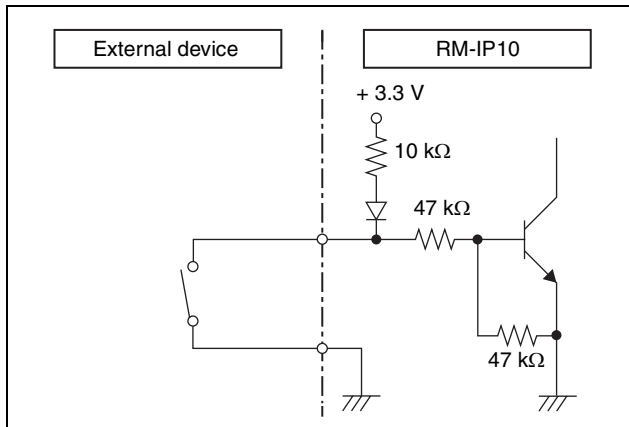


Notes

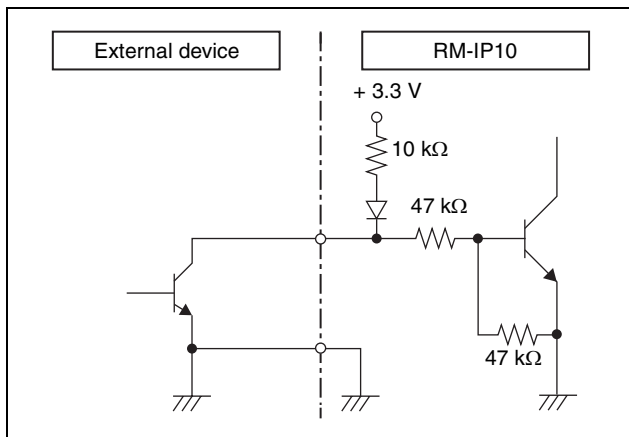
- In order to stabilize the voltage level of the signal, connect both ends to GND.
- The maximum connection distance with the VISCA RS-422 connection is approximately 1,200 m (3,937 feet).

Example connection of TALLY/ CONTACT connector for input

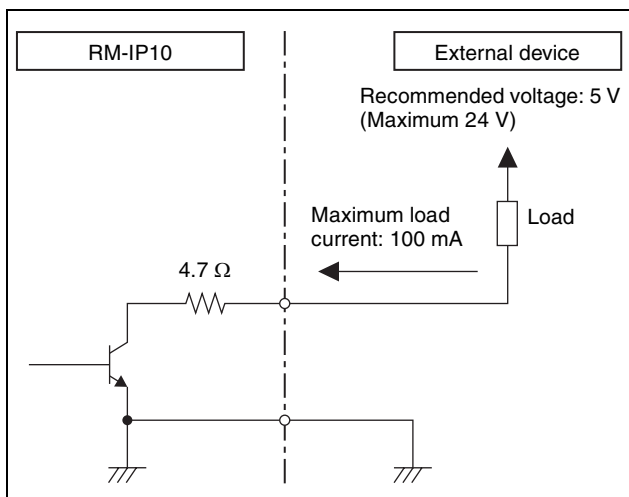
Switch or relay connection



Open collector connection



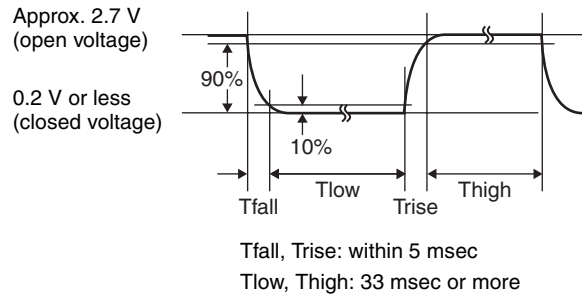
Example connection of TALLY/ CONTACT connector for output



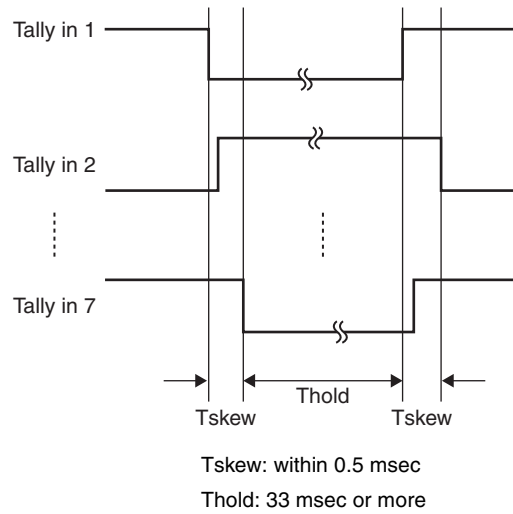
WARNING

If an inrush reverse voltage that is over the rating is applied to the TALLY/CONTACT connector, it may cause a malfunction, smoke, or fire.

Input Waveform of TALLY/ CONTACT Connector



In the Expand mode, the following can also be applied:



License

This software partially supports component uIP.
Therefore the following license conditions apply.

Copyright (c) 2001-2006, Adam Dunkels and the
Swedish Institute of Computer Science All rights
reserved.

Redistribution and use in source and binary forms, with
or without modification, are permitted provided that the
following conditions are met:

1. Redistributions of source code must retain the above
copyright notice, this list of conditions and the
following disclaimer.
2. Redistributions in binary form must reproduce the
above copyright notice, this list of conditions and the
following disclaimer in the documentation and/or
other materials provided with the distribution.
3. The name of the author may not be used to endorse or
promote products derived from this software without
specific prior written permission.

THIS SOFTWARE IS PROVIDED BY THE AUTHOR
'AS IS' AND ANY EXPRESS OR IMPLIED
WARRANTIES, INCLUDING, BUT NOT LIMITED
TO, THE IMPLIED WARRANTIES OF
MERCHANTABILITY AND FITNESS FOR A
PARTICULAR PURPOSE ARE DISCLAIMED. IN
NO EVENT SHALL THE AUTHOR BE LIABLE FOR
ANY DIRECT, INDIRECT, INCIDENTAL, SPECIAL,
EXEMPLARY, OR CONSEQUENTIAL DAMAGES
(INCLUDING, BUT NOT LIMITED TO,
PROCUREMENT OF SUBSTITUTE GOODS OR
SERVICES; LOSS OF USE, DATA, OR PROFITS; OR
BUSINESS INTERRUPTION) HOWEVER CAUSED
AND ON ANY THEORY OF LIABILITY, WHETHER
IN CONTRACT, STRICT LIABILITY, OR TORT
(INCLUDING NEGLIGENCE OR OTHERWISE)
ARISING IN ANY WAY OUT OF THE USE OF THIS
SOFTWARE, EVEN IF ADVISED OF THE
POSSIBILITY OF SUCH DAMAGE.

Avant d'utiliser l'appareil, veuillez lire attentivement ce manuel et le conserver pour future référence.

Ne pas utiliser cet appareil dans une zone résidentielle.

AVERTISSEMENT

Afin de réduire les risques d'incendie ou d'électrocution, ne pas exposer cet appareil à la pluie ou à l'humidité.

Afin d'écartier tout risque d'électrocution, garder le coffret fermé. Ne confier l'entretien de l'appareil qu'à un personnel qualifié.

AVERTISSEMENT

Utilisez l'adaptateur secteur Sony MPA-AC1 fourni avec cet équipement comme source d'alimentation. Toute autre source d'alimentation pourrait être dangereuse en faisant notamment courir un risque d'incendie.

Le dispositif de déconnexion de cet équipement est la fiche secteur de l'adaptateur secteur.

Vous devez utiliser la fiche secteur de cet équipement pour le déconnecter du secteur.

Veillez à ce que la prise de courant se trouve près de l'équipement et qu'elle soit facilement accessible.

En cas de fonctionnement anormal, débranchez la fiche secteur.

IMPORTANT

La plaque signalétique se situe sous l'appareil.

Pour les clients au Canada

Cet appareil numérique de la classe A est conforme à la norme NMB-003 du Canada.

Pour les clients en Europe, Australie et Nouvelle-Zélande

AVERTISSEMENT

Il s'agit d'un produit de Classe A. Dans un environnement domestique, cet appareil peut provoquer des interférences radio, dans ce cas l'utilisateur peut être amené à prendre des mesures appropriées.

Si des interférences se produisent, contactez votre service après-vente agréé Sony.

Pour les clients en Europe

Ce produit a été fabriqué par ou pour le compte de Sony Corporation, 1-7-1 Konan Minato-ku Tokyo, 108-0075 Japon. Toutes les questions relatives à la conformité des produits basées sur la législation européenne doivent être adressées à son représentant, Sony Deutschland GmbH, Hedelfinger Strasse 61, 70327 Stuttgart, Allemagne.

Table des matières

Mise en route

Précautions	4
-------------------	---

Description générale

Caractéristiques	5
Emplacement et fonction des pièces	6

Raccordements et utilisation

Raccordements	14
Raccordement des caméras compatibles avec la connexion IP	14
Raccordement des caméras équipées du connecteur VISCA RS-232C	17
Raccordement des caméras équipées du connecteur VISCA RS-422	17
Raccordement du module multiplex optique BRU-SF10	18
Raccordement d'un sélecteur vidéo	19
Mise sous tension	20
Mise en mémoire des réglages de la caméra	
– Fonction de préréglage	21
Réglage de la vitesse de la caméra se déplaçant vers une position préréglée	22
Utilisation de la fonction mise en mémoire du RM-IP10	23
Fixation d'une limite de vitesse maximale de panoramique/d'inclinaison	23
Pour revenir aux réglages d'usine	23

Annexe

Dépannage	24
Spécifications	25
Dimensions	26
Attribution des broches	26
Utilisation de la fiche de connecteur VISCA RS-422	27
Exemple de raccordement du connecteur TALLY/CONTACT pour l'entrée	28
Exemple de raccordement du connecteur TALLY/CONTACT pour la sortie	28
Forme d'onde d'entrée du connecteur TALLY/CONTACT	29
Licence	29

Utilisation du manuel sur CD-ROM

Le guide du logiciel de configuration « RM-IP10 Setup Tool » est lisible sur un ordinateur équipé d'Adobe Reader.

Vous pouvez télécharger gratuitement Adobe Reader sur le site Web d'Adobe.

- 1 Ouvrez le fichier index.html sur le CD-ROM.
- 2 Sélectionnez et cliquez sur le guide que vous souhaitez lire.

Remarque

Si vous avez égaré ou endommagé le CD-ROM, vous pouvez en acheter un nouveau auprès de votre revendeur Sony ou d'un service professionnel de produits Sony.

- Microsoft et Windows sont des marques déposées de Microsoft Corporation aux États-Unis et/ou dans d'autres pays.
- Intel et Core sont des marques déposées d'Intel Corporation ou de ses filiales aux États-Unis et dans d'autres pays.
- Adobe et Adobe Reader sont des marques commerciales d'Adobe Systems Incorporated aux États-Unis et/ou dans d'autres pays.

Tous les autres noms de société et de produit sont des marques commerciales ou des marques déposées des sociétés respectives ou de leurs fabricants respectifs.

Précautions

Lieu d'utilisation ou d'entreposage

L'utilisation ou l'entreposage de l'appareil dans les lieux suivants risquerait de l'endommager :

- Endroits très chauds ou froids (température de fonctionnement : 0 °C à 40 °C [32 °F à 104 °F])
- Lieux subissant une exposition prolongée aux rayons directs du soleil ou à proximité d'un appareil de chauffage (des radiateurs par exemple)
- À proximité de puissantes sources magnétiques
- À proximité de sources de puissantes radiations électromagnétiques, comme des transmetteurs de radio ou de télévision
- Lieux soumis à de fortes vibrations ou à des chocs

Ventilation

Pour prévenir toute surchauffe interne, n'entravez pas la circulation d'air autour de l'appareil.

Transport

Transportez l'appareil dans son emballage d'origine ou dans un emballage d'égale qualité.

Nettoyage

- Utilisez un chiffon doux et sec pour nettoyer l'extérieur de l'appareil. Vous pouvez éliminer les taches tenaces avec un chiffon doux légèrement imprégné d'une solution détergente avant de les essuyer.
- N'utilisez pas de solvants volatils tels que de l'alcool, du benzène ou des diluants car vous risquez d'endommager le fini des surfaces de l'appareil.

À propos de la condensation de l'humidité

Si l'appareil est soudainement déplacé d'un endroit froid à un endroit chaud, ou si la température ambiante augmente brusquement, de l'humidité peut se former sur la surface externe de l'appareil et/ou à l'intérieur de l'appareil. Ce phénomène est connu sous le nom de condensation. Si de la condensation se produit, mettez l'appareil hors tension et patientez le temps que la condensation disparaisse avant d'utiliser l'appareil. L'utilisation de l'appareil avec de la condensation pourrait endommager l'appareil.

À propos de la durée de vie des pièces

La durée de vie l'adaptateur CA et du condensateur électrolytique est de 5 ans environ, sous des températures de fonctionnement normales et pour un usage normal (8 heures par jour, 25 jours par mois). Si l'utilisation dépasse la fréquence d'utilisation normale, la durée de vie peut être réduite en conséquence.

Caractéristiques

Utilisez 112 caméras*¹ au maximum avec la connexion IP

Vous pouvez utiliser jusqu'à 112 caméras avec un concentrateur de commutation en vente dans le commerce. Les caméras peuvent être utilisées au maximum par cinq pupitres de télécommande IP connectés au réseau*².

Avec le logiciel de configuration fourni, vous pouvez définir les adresses IP des 112 caméras et des cinq pupitres de télécommande IP depuis votre PC.

*1 Caméras prises en charge : BRC-H900/Z330 lorsque la carte de contrôle IP BRBK-IP10 en option est insérée, BRC-Z700 lorsque la carte de contrôle IP BRBK-IP7Z en option est insérée, SRG-300H, SRG-120DH. (À compter de janvier 2014)

*2 Le réseau doit être indépendant des autres systèmes et réseaux. Lorsque vous commandez, via un routeur, une caméra située sur un réseau d'un autre segment, celui-ci doit également être indépendant.

L'utilisation sur une ligne avec temporisation ou perte de paquets risque de provoquer une défaillance. N'établissez pas la connexion à un réseau qui utilise un réseau public, notamment Internet.

Vous ne pouvez pas brancher sur une connexion Internet plus de 112 caméras, 5 pupitres de télécommande IP et un PC pour la configuration.

Le routeur est compatible avec le pupitre de télécommande IP doté de la version 2.1 ou ultérieure du micrologiciel et avec la carte BRBK-IP10/IP7Z en option dotée de la version 2.1 ou ultérieure du micrologiciel.

Compatible VISCA RS-232C/RS-422*³

Vous pouvez sélectionner la méthode de communication unique de la connexion IP, RS-232C ou RS-422.

L'appareil peut commander jusqu'à sept caméras lorsque la connexion VISCA RS-232C/RS-422 est sélectionnée.

*3 Caméras prises en charge : BRC-H900, BRC-Z700, BRC-Z330, SRG-300H, SRG-120DH (La SRG-120DH n'est pas compatible avec la connexion RS-422). (À compter de janvier 2014)

Remarque

Vous ne pouvez pas utiliser la méthode de communication multiple en même temps.

La manette de commande optique trois axes permet d'effectuer des opérations de panoramique/d'inclinaison confortables.

Utilisation aisée des réglages polyvalents de la caméra

À l'aide des touches de l'appareil, vous pouvez effectuer facilement divers réglages comme la mise en point automatique, la mise au point automatique à une pression, l'exposition automatique, la balance des blancs automatique à une pression et la compensation du rétroéclairage.

Fonction de pré-réglage pour enregistrer les réglages de caméra

Vous pouvez enregistrer jusqu'à 16 combinaisons de réglages de caméra, comme les positions de panoramique/d'inclinaison/de zoom et d'autres réglages de caméra, dans la mémoire de la caméra.

Remarques

- Les fonctions utilisables sont limitées à celles dont la caméra est équipée.
- Ce manuel explique les fonctions de l'appareil avec la caméra BRC-H900.
Si une autre caméra est raccordée, reportez-vous au mode d'emploi fourni avec cette caméra pour connaître les fonctions disponibles.

Configuration PC requise

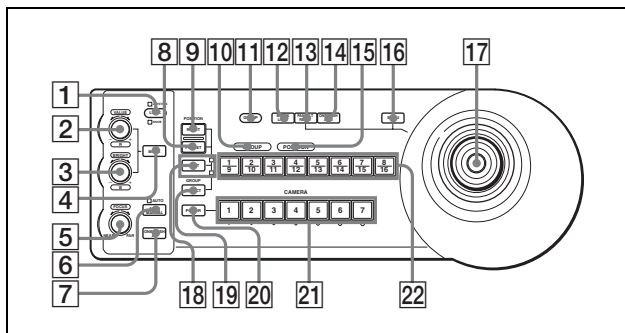
Pour utiliser le logiciel fourni, vous avez besoin d'un PC doté des caractéristiques techniques suivantes.

- CPU : Intel Core2 Duo 2.4 GHz ou supérieur (recommandé)
- Mémoire : 1 Go ou plus (recommandé)
- Disque dur : plus de 50 Mo disponibles
- Port LAN : 10BASE-T ou 100BASE-TX
- Autres : lecteur de CD-ROM, Adobe Reader (pour visualiser le Mode d'emploi sur le CD-ROM)
- Systèmes d'exploitation : Microsoft Windows XP, Windows Vista, Windows 7

Emplacement et fonction des pièces

Ce manuel est basé sur l'utilisation du RM-IP10 avec une caméra vidéo couleur de la série BRC.

Face avant



- 1 Touche LOCK et témoins JOYSTICK/KNOB**
Chaque pression sur la touche LOCK de plus d'une seconde allume ou éteint le(s) témoin(s) JOYSTICK et/ou KNOB.*
Lorsque le témoin JOYSTICK est allumé, **17** la manette de commande, **13** la touche PAN-TILT RESET et **16** la touche MENU sont inutilisables. Lorsque le témoin KNOB est allumé, **2** la commande VALUE/R, **3** la commande BRIGHT/B, **4** la touche MODE, **5** la commande FOCUS, **6** la touche AUTO/MANUAL et **7** la touche ONE PUSH AF sont inutilisables.

* Pour plus de détails sur le modèle d'éclairage des témoins JOYSTICK/KNOB, vérifiez le réglage des commutateurs DIP 1 7 et 8.

- 2 Commande VALUE/R**
Lorsque le mode de réglage de la luminosité est sélectionné au moyen de la touche MODE (alors que le témoin VALUE est allumé) :
Cette commande règle la valeur de l'élément (SHUTTER ou IRIS) sélectionné sur la caméra.

Lorsque le témoin VALUE est allumé, la fonction de la commande varie selon le mode d'exposition sélectionné sur la caméra. Pour plus de détails, reportez-vous à la section « Fonctions des commandes VALUE et BRIGHT » à la page 6.

Lorsque le mode de réglage de la balance des blancs est sélectionné au moyen de la touche MODE (alors que le témoin R est allumé) :
Cette commande règle R. GAIN (gain de rouge).

La fonction de la commande, lorsque le témoin R est allumé, varie selon le mode de balance des

blancs sélectionné sur la caméra. Pour plus de détails, reportez-vous à la section « Fonctions des commandes R et B » à la page 7.

- 3 Commande BRIGHT/B**
Lorsque le mode de réglage de la luminosité est sélectionné au moyen de la touche MODE (alors que le témoin BRIGHT est allumé) :
Cette commande règle la valeur de la luminosité de la caméra, etc.

Lorsque le témoin BRIGHT est allumé, la fonction de la commande varie selon le mode d'exposition sélectionné sur la caméra. Pour plus de détails, reportez-vous à la section « Fonctions des commandes VALUE et BRIGHT » à la page 6.

Lorsque le mode de réglage de la balance des blancs est sélectionné au moyen de la touche MODE (alors que le témoin B est allumé) :
Cette commande règle B. GAIN (gain de bleu).

La fonction de la commande, lorsque le témoin B est allumé, varie selon le mode de balance des blancs sélectionné sur la caméra. Pour plus de détails, reportez-vous à la section « Fonctions des commandes R et B » à la page 7.

Fonctions des commandes VALUE et BRIGHT

Les fonctions de la commande VALUE et de la commande BRIGHT varient selon le réglage du mode d'exposition sélectionné sur la caméra, comme suit :

Mode d'exposition sélectionné sur la caméra	Fonction de la commande VALUE	Fonction de la commande BRIGHT
FULL AUTO	Non attribué	Commande du niveau de compensation de l'exposition
BACK LIGHT***	Non attribué	(Lorsque la fonction de compensation d'exposition est activée sur la caméra.)
SPOT LIGHT***	Non attribué	Commande du niveau de l'exposition automatique****
SHUTTER Pri	Commande de la vitesse d'obturation	
IRIS Pri	Commande du diaphragme	
GAIN Pri**	Commande du gain**	
BRIGHT	Non attribué	Commande du niveau de luminosité
MANUAL	Commande de la vitesse d'obturation	Commande du diaphragme*

- * Les commandes du diaphragme et du gain fonctionnent lorsque le commutateur DIP 2 3 est réglé sur ON.
- ** Disponible pour les modèles BRC-Z700 et BRC-Z330 uniquement
- *** Disponible pour le modèle BRC-H900 uniquement
- **** Disponible pour les modèles BRC-H900, SRG-300H et SRG-120DH uniquement

Fonctions des commandes R et B

Lorsque le mode de réglage de la balance des blancs est sélectionné au moyen de la touche MODE de cet appareil, les fonctions des commandes R et B varient selon le réglage du mode de balance des blancs dans le menu de la caméra.

Mode de balance des blancs sélectionné sur la caméra	Fonction de la commande R	Fonction de la commande B
MANUAL	Commande du gain de rouge	Commande du gain de bleu
AUTO1*	Commande WB	Commande WB
AUTO2*	R.SHIFT*	B.SHIFT*
AUTO**	Commande OFF	Commande OFF
ONE PUSH	SET**	SET**

- * BRC-Z700 et BRC-Z330 uniquement
- ** BRC-H900 uniquement

4 Touche MODE

Appuyez sur cette touche pour sélectionner la fonction des commandes VALUE/R et BRIGHT/B. Lorsque le mode de réglage de la luminosité est sélectionné, les témoins VALUE et BRIGHT sont allumés.

Lorsque le mode de réglage de la balance des blancs est sélectionné, les témoins R et B sont allumés.

5 Commande FOCUS

Cette commande est activée lorsque MANUAL est sélectionné au moyen de la touche AUTO/MANUAL. Tournez la commande dans le sens inverse des aiguilles d'une montre (vers NEAR) pour faire la mise au point sur un sujet proche, et dans le sens des aiguilles d'une montre (vers FAR) pour faire la mise au point sur un sujet éloigné.

6 Touche AUTO/MANUAL et témoin AUTO

Appuyez sur cette touche pour sélectionner le mode de mise au point AUTO ou MANUAL. Lorsque AUTO est sélectionné, le témoin AUTO s'allume et la caméra met automatiquement au point sur le sujet au centre de l'écran. La commande FOCUS et la touche ONE PUSH AF sont désactivées.

Lorsque MANUAL est sélectionné, la commande FOCUS et la touche ONE PUSH AF sont désactivées (alors que le témoin FOCUS est allumé).

Pour le modèle BRC-Z700 ou BRC-Z330, vous pouvez régler la mise au point manuellement si AF ASSIST est réglé sur ON dans le menu FOCUS. Pour plus de détails, reportez-vous au mode d'emploi du BRC-Z700 ou du BRC-Z330.

7 Touche ONE PUSH AF

Cette touche est activée lorsque MANUAL est sélectionné au moyen de la touche AUTO/MANUAL. Appuyez sur la touche pour activer la fonction de mise au point automatique à une pression.

8 Touche PRESET

Maintenez cette touche enfoncée et appuyez sur l'une des touches GROUP/POSITION. Les réglages de caméra en cours sont ensuite mémorisés dans la caméra correspondant à la touche GROUP/POSITION enfoncée.

9 Touche RESET

Maintenez cette touche enfoncée et appuyez sur l'une des touches GROUP/POSITION. La mémoire de la caméra correspondant à la touche GROUP/POSITION enfoncée est ensuite vidée et rétablie à la condition du réglage d'usine. Lorsque plusieurs caméras sont raccordées avec le RS-232C/RS-422, les adresses de caméra sont définies en maintenant cette touche enfoncée et en appuyant sur la touche POWER.

10 Témoin GROUP

11 Touche GROUP

Lorsque cette touche est maintenue enfoncée, le témoin GROUP s'allume et la touche GROUP/POSITION du numéro de groupe en cours d'utilisation s'allume en jaune.*

La touche GROUP fonctionne uniquement pour la connexion LAN.

* Lorsque le témoin supérieur en regard de la touche SHIFT est allumé, les touches GROUP/ POSITION sont pour les numéros de groupe 1 à 8. Lorsque le témoin inférieur en regard de la touche SHIFT est allumé, les touches GROUP/ POSITION sont pour les numéros de groupe 9 à 16.

12 Touche BACK LIGHT

Appuyez sur cette touche pour activer la fonction de compensation du rétroéclairage de la caméra. Appuyez à nouveau sur cette touche pour désactiver la fonction.

Maintenez la touche SHIFT enfoncée et appuyez sur cette touche pour activer la fonction de compensation d'éclairage. Cette fonction règle l'exposition à un niveau plus sombre si une portion du sujet est fortement éclairée.

Pour désactiver la compensation d'éclairage, maintenez la touche SHIFT enfoncée et appuyez à nouveau sur cette touche.

Remarques

- La fonction de compensation de rétroéclairage ou de compensation d'éclairage risque de ne pas fonctionner selon la caméra ou son mode d'exposition. Pour plus de détails, reportez-vous au mode d'emploi fourni avec la caméra.
- Le mode d'exposition de compensation de rétroéclairage et celui de la compensation d'éclairage du BRC-H900 diffèrent du mode d'exposition FULL AUTO. Le réglage de la compensation d'éclairage et celui de la compensation du rétroéclairage ne peuvent pas être effectués en même temps.

13 Touche PAN-TILT RESET

Appuyez sur cette touche pour réinitialiser la position de panoramique/d'inclinaison de la caméra.

14 Touche ONE PUSH AWB

Lorsque le mode de balance des blancs ONE PUSH est sélectionné sur la caméra, appuyez sur cette touche pour effectuer le réglage de la balance des blancs à une pression.

Remarque

Lorsque le réglage de la balance des blancs à une pression est exécuté, les opérations de la manette de commande (y compris l'opération d'arrêt) ne fonctionnent pas.

15 Témoin POSITION

16 Bouton MENU

Appuyez sur cette touche pendant environ une seconde pour afficher le menu de la caméra, revenez au menu principal ou désactivez le menu.

17 Manette de commande

La manette de commande est utilisée pour les opérations de panoramique/d'inclinaison et de zoom. Sélectionnez la caméra que vous souhaitez commander à l'aide des touches CAMERA et utilisez la manette de commande.

Panoramique et inclinaison

Lorsque vous inclinez la manette de commande vers la droite ou la gauche, la caméra effectue une panoramique. Lorsque vous inclinez la manette de commande vers l'avant ou l'arrière, la caméra effectue une inclinaison.

La vitesse de panoramique/d'inclinaison varie selon l'angle de l'inclinaison.

Lorsque vous relâchez la manette de commande, le mouvement de la caméra s'arrête.

Zoom

Lorsque vous tournez le cadran sur la partie supérieure de la manette de commande dans le sens des aiguilles d'une montre, le sujet devient plus grand (zoom avant). Lorsque vous la tournez dans le sens contraire des aiguilles d'une montre, le sujet devient plus petit (zoom arrière).

Pour réorienter la caméra vers l'avant

Lorsque vous appuyez sur la touche située au-dessus de la manette de commande pendant une à deux secondes, les opérations de panoramique/d'inclinaison/de zoom sont réinitialisées et la caméra revient directement vers l'avant.

18 Touche SHIFT et témoins

Lorsque vous appuyez sur la touche SHIFT, le témoin inférieur s'allume et les touches GROUP/ POSITION sont utilisables pour les numéros de groupe 9 à 16. Si vous relâchez la touche SHIFT, le témoin supérieur s'allume et les touches GROUP/ POSITION sont utilisables pour les numéros de groupe/position 1 à 8.

19 Touche SELECT

Il est possible de modifier le numéro de groupe de caméras en appuyant sur la touche GROUP/ POSITION alors que cette touche est enfoncée. Pour sélectionner les numéros de groupe de caméras 9 à 16, maintenez la touche SHIFT enfoncée (le témoin inférieur s'allume). La touche SELECT fonctionne uniquement pour la connexion LAN.

20 Touche POWER

Appuyez sur cette touche pour allumer la ou les touches CAMERA correspondant à l'état de la ou des caméras raccordées.

Jaune : La caméra est sous tension.

Verte : La caméra est en mode veille.

Éteinte : Aucune caméra n'est raccordée.

Maintenez cette touche enfoncée et appuyez sur les touches CAMERA 1 à 7 pour mettre la caméra correspondant à la touche enfoncée sous/hors tension.

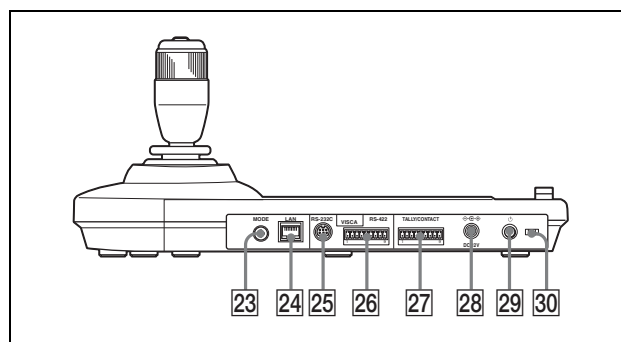
21 Touches CAMERA

Appuyez sur l'une des touches pour sélectionner la caméra parmi celles qui sont raccordées. La touche CAMERA sélectionnée s'allume en jaune.

22 Touches GROUP/POSITION

Vous pouvez mémoriser divers réglages de caméra tels que les positions de panoramique, d'inclinaison et de zoom dans la caméra correspondant à la touche GROUP/POSITION, puis charger les réglages dans la mémoire.

Ces touches sont également utilisées pour sélectionner le numéro de groupe de la caméra en se connectant sur un réseau local LAN.

Face arrière**23 Sélecteur MODE**

Sélectionnez la position correspondant à la caméra à raccorder.

Position du commutateur	Mode de caméra
0	Automatiquement sélectionné (par défaut)
1	Pas utilisé
2	Pas utilisé
3	Pas utilisé
4	Pas utilisé
5	Pas utilisé
6	Pas utilisé
7	BRC-Z700
8	BRC-Z330
9	BRC-H900

Remarque

Utilisez les positions 7 à 9 lorsque toutes les caméras raccordées sont du même modèle. Dans les autres cas, utilisez la position 0.

24 Connecteur LAN (RJ-45 8 broches)

Pour la connexion LAN

Connectez un LAN HUB (10BASE-T/100BASE-TX) à l'aide d'un câble LAN (catégorie 5 ou supérieure).

Le témoin vert s'allume lorsqu'un lien est établi et clignote durant la communication. Lors de la connexion avec 100BASE-TX, le témoin jaune s'allume également.

Remarques

- Par mesure de sécurité, ne raccordez pas le connecteur pour le câblage de périphériques pouvant avoir une tension excessive à ce port. Suivez les instructions pour ce port.

- Pour relier le câble LAN de l'appareil à un périphérique, utilisez un câble blindé afin d'empêcher tout dysfonctionnement dû au bruit de rayonnement.

25 Connecteur VISCA RS-232C

Pour brancher le connecteur VISCA RS-232C IN de la caméra ou le module multiplex optique.

26 Connecteur VISCA RS-422

Pour brancher le connecteur VISCA RS-422 de la caméra ou le module multiplex optique.

Une fiche de connecteur RS-422 a été montée en usine.

27 Connecteur TALLY/CONTACT

Ce connecteur est utilisé pour l'entrée du témoin de signalisation ou la sortie du contact.

Sélectionnez la fonction de ce connecteur au moyen du commutateur DIP situé sur la face inférieure de l'appareil.

Vous pouvez utiliser la fiche de connecteur RS-422 montée en usine pour ce connecteur.

28 Connecteur DC IN 12 V

Branchez l'adaptateur secteur fourni.

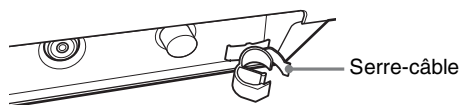
29 Commutateur (marche)

Appuyez sur cet interrupteur pour mettre cet appareil sous/hors tension.

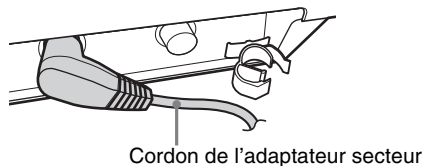
30 Serre-câble

Fixe le cordon de l'adaptateur secteur.

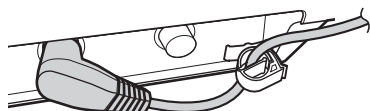
1. Déverrouillez le serre-câble.



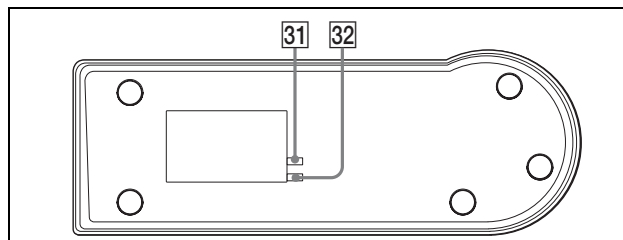
2. Raccordez l'adaptateur secteur fourni.



3. Faites passer le cordon de l'adaptateur secteur dans le serre-câble, puis verrouillez le serre-câble.



Face inférieure



Remarques

- L'adresse Mac est imprimée sur le dessous du pupitre de télécommande IP.
- Réglez les commutateurs avant de mettre cet appareil sous tension. Sinon, le réglage n'est pas effectif (sauf pour les commutateurs DIP 2 1 et 2).

31 Commutateur DIP 1

Commutateur 1 : Sélecteur de la connexion série/LAN

Sélectionne la méthode de communication.

Sélectionnez ON pour une connexion série, ou OFF pour une connexion LAN.

Commutateur 2 : Sélecteur RS-232C/RS-422

Sélectionne le modèle RS-232C ou RS-422 lorsque le commutateur DIP 1 1 est réglé sur ON.

Sélectionnez ON pour le RS-422, ou OFF pour le RS-232C.

Commutateur 3 : Sélecteur du débit en bauds de communication

Sélectionne le débit en bauds de communication pour le RS-232C/RS-422.

Sélectionnez ON pour 38 400 bps, ou OFF pour 9 600 bps.

Commutateur 4, 5 : Interrupteur TALLY/CONTACT

Sélectionne la fonction du connecteur TALLY/CONTACT.

Vous pouvez sélectionner les fonctions suivantes.

Commutateur 4	Commutateur 5	Mode
OFF	OFF	<p>Mode NORMAL TALLY : Les actions suivantes sont exécutées pour le numéro reçu par le connecteur TALLY/CONTACT uniquement pendant la réception des commandes.</p> <ul style="list-style-type: none"> La caméra sélectionnée bascule sur la caméra correspondant au numéro de la commande du connecteur TALLY/CONTACT. <ul style="list-style-type: none"> Lorsque le numéro de la caméra sélectionnée correspond à celui de la commande du connecteur TALLY/CONTACT : la caméra sélectionnée n'est pas commutée et vous pouvez continuer à l'utiliser. Lorsque la caméra sélectionnée ne reçoit pas son propre numéro de commande du connecteur TALLY/CONTACT : la caméra sélectionnée bascule sur la caméra dont le numéro correspond à celui de la commande du connecteur TALLY/CONTACT. Si deux numéros ou plus sont reçus du connecteur TALLY/CONTACT, la caméra avec le plus petit numéro est sélectionnée. Vous pouvez utiliser la caméra sélectionnée après avoir replacé la manette de commande en position neutre. (Si vous commutez les caméras et que le numéro de groupe de caméras change, la touche GROUP/POSITION s'allume pendant environ 1 seconde.) La touche CAMERA sélectionnée clignote successivement en rouge et en jaune. Si deux numéros ou plus sont reçus du connecteur TALLY/CONTACT, les touches CAMERA qui ne sont pas sélectionnées s'allument en rouge. Vous pouvez sélectionner une caméra en appuyant sur la touche CAMERA correspondante (allumée en rouge).

Commutateur 4	Commutateur 5	Mode
		<ul style="list-style-type: none"> Le témoin de signalisation de la caméra qui reçoit une commande du connecteur TALLY/CONTACT s'allume.* <p>Complément :</p> <ul style="list-style-type: none"> Si aucune commande n'est reçue du connecteur TALLY/CONTACT, le témoin de signalisation de la caméra sélectionnée s'allume.* Si les commandes du connecteur TALLY/CONTACT s'arrêtent, la caméra sélectionnée n'est pas commutée. <p>* Si le commutateur 32 DIP 2 5 est réglé sur ON, les témoins TALLY de la caméra ne s'allument pas.</p>
ON	OFF	<p>Mode ON AIR TALLY : Les actions suivantes sont exécutées pour le numéro reçu par le connecteur TALLY/CONTACT uniquement pendant la réception des commandes.</p> <ul style="list-style-type: none"> La touche CAMERA correspondante s'allume en rouge. Il est possible de sélectionner une caméra arbitrairement. Sélectionnez une touche CAMERA allumée en rouge pour la faire clignoter successivement en rouge et en jaune. Le témoin de signalisation de la caméra qui reçoit une commande du connecteur TALLY/CONTACT s'allume.* <p>* Si le commutateur 32 DIP 2 5 est réglé sur ON, les témoins TALLY de la caméra ne s'allument pas.</p>
OFF	ON	<p>Mode CONTACT : Le numéro de caméra sélectionné par l'appareil est envoyé au périphérique raccordé.</p>

Commutateur 4	Commutateur 5	Mode
ON	ON	Mode CONTACT (TALLY) : Le numéro de caméra sélectionné par l'appareil est envoyé au périphérique raccordé et le voyant de signalisation de la caméra sélectionnée s'allume.* * Si le commutateur 32 DIP 2 5 est réglé sur ON, les témoins TALLY de la caméra ne s'allument pas.

Commutateur 6 : Sélecteur COMMAND

Commute le signal pour le connecteur TALLY/CONTACT entre STD (méthode standard) et EXPAND (méthode d'expansion). Sélectionnez ON pour EXPAND, OFF pour STD. Ce réglage n'est pas effectif pour le RS-232C/RS-422 (fixé en tant que STD).

STD (méthode standard)

- Lors du traitement du connecteur TALLY/CONTACT comme une entrée :
Lorsque l'une des bornes 1 à 7 est court-circuitée à la terre (GND), le numéro correspondant est accepté.
(Il est possible d'accepter simultanément deux numéros ou plus.)
- Lors du traitement du connecteur TALLY/CONTACT comme une sortie :
Assure la transmission à l'appareil externe en mettant l'une des bornes 1 à 7 à la terre.

Conseil

Pour utiliser le numéro de caméra 8 ou supérieur, utilisez EXPAND.

EXPAND (méthode d'expansion)

- Lors du traitement du connecteur TALLY/CONTACT comme une entrée :
Traite les bornes 1 à 7 en tant que nombre binaire. Accepte comme numéro 1 lorsque la borne 1 est mise à la terre et les bornes 2 à 7 sont ouvertes.
- Lors du traitement du connecteur TALLY/CONTACT comme une sortie :
Traite les bornes 1 à 7 en tant que nombre binaire et assure la transmission à l'appareil externe. Le numéro 1 est émis lorsque la borne 1 est mise à la terre et les bornes 2 à 7 sont hautes.

À propos du numéro de caméra reçu/ envoyé par le connecteur TALLY /CONTACT

La relation entre un total de 112 caméras (attribuées aux numéros de caméra 1 à 7 dans chacun des numéros de groupe de caméras 1 à 16) et le numéro

de caméra du connecteur TALLY/CONTACT est la suivante.

Numéro de groupe de caméras	Numéro de caméra	Numéro de caméra du connecteur TALLY/CONTACT		
1	1	1		
	2	2		
		
	7	7		
	2	1	8	
		
		7	14	
...		
		16	1	106
		
			7	112

Commutateur 7, 8 : Sélecteur de fonction de la touche LOCK

Le verrouillage a les deux fonctions suivantes.

- Commandes et verrouillage de la mise au point : les commandes VALUE/R, BRIGHT/B et FOCUS et la touche AUTO/MANUAL sont inutilisables.
- Verrouillage de la manette de commande : la manette de commande (inclinaison, cadran situé sur la partie supérieure (zoom), touche sur le dessus) et les touches MENU et PAN-TILT RESET sont inutilisables.

Vous pouvez sélectionner les fonctions verrouillées à l'aide des réglages suivants.

Commutateur 7	Commutateur 8	Réglage
OFF	OFF	Réglage 1 : À chaque pression sur la touche LOCK, la fonction de verrouillage change comme suit : « ① » ↔ déverrouillé
ON	OFF	Réglage 2 : À chaque pression sur la touche LOCK, la fonction de verrouillage change comme suit : « ② » ↔ déverrouillé
OFF	ON	Réglage 3 : À chaque pression sur la touche LOCK, la fonction de verrouillage change comme suit : « ① et ② » ↔ déverrouillé
ON	ON	Réglage 4 : À chaque pression sur la touche LOCK, la fonction de verrouillage change comme suit : « ① » → « ② » → « ① et ② » → déverrouillé → « ① » → ...

32 Commutateur DIP 2

Commutateur 1 : Interrupteur PANEL LIGHT
Allume ou éteint l'éclairage de la touche PANEL.

Sélectionnez ON (les touches GROUP/POSITION et CAMERA s'allument en vert) ou OFF.
Ce réglage d'interrupteur est valide même si vous modifiez le réglage alors que l'appareil est sous tension.

Commutateur 2 : Sélecteur L/R DIRECTION

Vous pouvez inverser le sens de la manette de commande.

Sélectionnez ON pour l'opération inverse, ou OFF pour l'opération standard.

Pour l'opération standard, la caméra est préréglée pour être orientée vers la droite (gauche) lorsque la manette de commande est inclinée vers la droite (gauche). Pour l'opération inverse, la caméra est préréglée pour être orientée vers la droite (gauche) lorsque la manette de commande est inclinée vers la gauche (droite).

Ce réglage d'interrupteur est valide même si vous modifiez le réglage alors que l'appareil est sous tension.

Commutateur 3 : Sélecteur de fonction de la commande BRIGHT

Sélectionne la fonction de la commande BRIGHT. Sélectionnez ON pour les réglages IRIS et GAIN, ou OFF pour le réglage IRIS uniquement.

Commutateur 4 : Interrupteur du réglage ALL POSITION

La fonction ALL POSITION vous permet de définir toutes les caméras des groupes de caméra 15 et 16 sur le même préréglage en chargeant le préréglage sur une seule caméra du groupe 15 ou 16. (Étant donné que 14 caméras sont préréglées successivement, il est impossible de les démarrer simultanément.)

Sélectionnez ON pour activer cette fonction, ou OFF pour la désactiver.

Cette fonction est uniquement opérante pour la connexion LAN.

Commutateurs 5 à 7 : Interrupteurs d'expansion

Sélectionnez OFF.

Complément :

Réglez le commutateur 5 sur ON pour empêcher le témoin TALLY de la caméra de s'allumer en mode NORMAL TALLY, ON AIR TALLY ou CONTACT (TALLY).

Commutateur 8 : Interrupteur du mode de mise à jour de la configuration

Sélectionnez ON pour activer le mode de mise à jour de la configuration. En sélectionnant ON, vous pouvez régler et modifier le tableau de caméra du logiciel de configuration « RM-IP10 Setup Tool » et vérifier la version du micrologiciel de l'appareil.

Raccordements

Cette section fournit principalement des exemples de raccordement pour la caméra BRC-H900. Pour connaître les raccordements avec d'autres caméras, reportez-vous au mode d'emploi fourni avec la caméra que vous souhaitez raccorder.

Sélectionnez l'une des connexions IP, RS-232C et RS-422.* Vous ne pouvez pas utiliser la méthode de communication multiple en même temps.

* BRC-H900/Z330 raccordée au BRBK-IP10, BRC-Z700 raccordée au BRBK-IP7Z, SRG-300H, SRG-120DH (SRG-120DH n'est pas compatible avec la connexion RS-422). (À compter de janvier 2014)

Raccordement des caméras compatibles avec la connexion IP

Connexion IP des caméras, pupitres de télécommande IP et PC

- 1 Connectez les connecteurs LAN du ou des appareils et de la ou des caméras compatibles à la connexion IP à l'aide du câble LAN. Vous pouvez connecter jusqu'à 112 caméras et cinq pupitres de télécommande IP sur un même réseau.

Remarque

Pour relier le câble LAN de l'appareil à un périphérique, utilisez un câble blindé afin d'empêcher tout dysfonctionnement dû au bruit de rayonnement.

- 2 Connectez le PC pour la configuration IP sur le même réseau.
 - Utilisez un câble LAN (catégorie 5 ou supérieure).
 - Connectez les caméras, les pupitres de télécommande IP et le PC via un concentrateur de commutation en vente dans le commerce (10BASE-T/100BASE-TX). L'utilisation sur une ligne avec temporisation ou perte de paquets risque de provoquer une défaillance. Utilisez un réseau de haute qualité.
 - Ne confondez pas 10BASE-T et 100BASE-TX sur le réseau.

- L'adresse IP est définie en usine sur 192.168.0.10 pour le RM-IP10, et sur 192.168.0.100 pour le BRBK-IP10/BRBK-IP7Z.
- Le cumul de concentrateurs de commutation entraîne un retard sur le réseau. Nous recommandons de ne pas dépasser deux concentrateurs de commutation.
- Pour connecter directement les connecteurs LAN du pupitre de télécommande IP et la caméra à l'aide du concentrateur de commutation, utilisez un câble croisé LAN.
- Le numéro de caméra 1 du numéro de groupe de caméras 1 est sélectionné et son adresse IP est définie sur 192.168.0.100 en usine.

Remarques

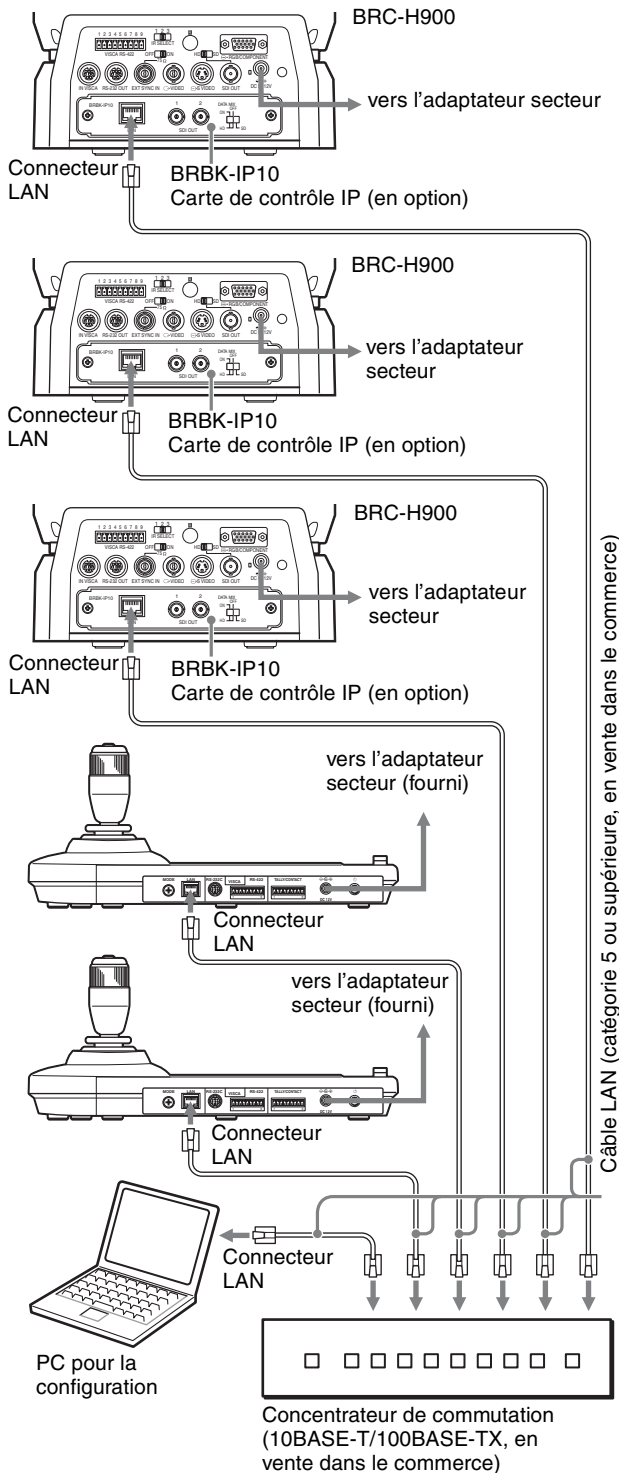
- Ne connectez pas plus de 112 caméras, cinq pupitres de télécommande IP et un PC pour la configuration IP, même si vous commandez via un routeur une caméra située sur un réseau d'un autre segment. Si vous en connectez davantage ou connectez différents types d'équipement en réseau, des problèmes peuvent survenir, par exemple un retard, ou encore les adresses IP risquent de ne pas être définies en raison de la duplication des adresses IP.
- Si vous effectuez la configuration sur plusieurs PC à l'aide du logiciel de configuration « RM-IP10 Setup Tool », celle-ci risque d'être incorrecte. Procédez à la configuration sur un seul PC.
- Réglez le PC de sorte à autoriser uniquement le réseau que vous utilisez.
- Les caméras et les pupitres de télécommande IP ne peuvent pas être connectés au réseau public.

- 3 Branchez la caméra et le pupitre de télécommande IP sur des prises secteur à l'aide des adaptateurs secteur et des cordons d'alimentation secteur fournis. La caméra effectue automatiquement un panoramique et une inclinaison, puis est réinitialisée à la position mémorisée en position 1 (action de réinitialisation de panoramique/d'inclinaison).

Remarque

Réglez le commutateur DIP1 1 sur OFF pour la connexion IP (page 10).

Exemple de raccordement



Réglages par défaut pour la connexion IP

1 Réglez le commutateur DIP 2 8 sur ON pour effectuer la configuration des caméras et des pupitres de télécommande IP (mode de mise à jour de la configuration). Mettez ensuite l'appareil sous tension en appuyant sur le commutateur . Les touches GROUP/POSITION et CAMERA clignotent en vert lorsque l'appareil est en mode de mise à jour de la configuration.

Remarques

- Laissez toutes les caméras et tous les pupitres de télécommande IP sous tension pendant la configuration. Ne mettez pas hors tension les caméras et les pupitres de télécommande IP pendant la configuration.
- Lorsque vous mettez l'appareil sous tension, ne touchez pas la manette de commande avant que les touches GROUP/POSITION et CAMERA ne se mettent à clignoter en vert (pour détecter un point d'origine).
- Lorsque vous mettez l'appareil sous tension, n'utilisez pas l'appareil avant que les touches GROUP/POSITION et CAMERA ne se mettent à clignoter en vert.

Lorsque vous utilisez le signal du connecteur TALLY/CONTACT en mode NORMAL TALLY, la caméra sélectionnée risque d'être changée par ce signal. Pour éviter cela, supprimez le raccordement du connecteur TALLY/CONTACT ou sélectionnez le mode ON AIR TALLY.

2 Effectuez les réglages suivants à partir du PC à l'aide du logiciel de configuration « RM-IP10 Setup Tool » figurant sur le CD-ROM fourni. Pour plus de détails sur ces réglages, reportez-vous au PDF figurant sur le CD-ROM. (Pour consulter le manuel du CD-ROM, reportez-vous à la section « Utilisation du manuel sur CD-ROM » (page 3).)

- Définissez l'adresse IP* et le nom de la caméra**

Remarque

Jusqu'à environ 35 secondes après la mise sous tension ou le redémarrage d'une caméra, aucun réglage n'est modifié.

- Définissez l'adresse IP* et le nom du pupitre de télécommande IP
- Attribuez chaque caméra à un numéro de caméra (touche CAMERA) et au numéro de groupe de caméras (touche GROUP/POSITION) auxquels le numéro de caméra appartient (7 numéros de caméra dans chacun des 16 numéros de groupe de caméras, soit un total maximal de 112 caméras) (réglage du tableau de caméra).**

* S'il existe un autre segment, connectez le PC à celui-ci et procédez aux réglages. Si vous n'utilisez pas de passerelle, réglez « Gateway address » sur 0.0.0.0.

** Pour attribuer une caméra à un autre segment, utilisez la fonction Export de « RM-IP10 Setup Tool ».

- Créez un fichier csv « Camera List » pour chaque segment.
 - Créez un fichier csv « Camera Table » pour le pupitre de télécommande IP que vous souhaitez attribuer.
 - Dans un éditeur de texte, ouvrez tous les fichiers csv que vous avez créés, puis ajoutez les informations requises à « Camera Table » à partir de « Camera List ».
 - À l'aide de la fonction Import, importez dans le pupitre de télécommande IP la « Camera Table » que vous avez créée.
- « Unknown camera is assigned. » s'affiche dans « RM-IP10 Setup Tool » pour les périphériques d'autres segments.

Après avoir réglé le tableau de caméra, vérifiez la relation entre la caméra et le numéro de caméra et le numéro de groupe de caméras correspondants en utilisant la manette de commande.* Si elle est incorrecte, réglez à nouveau le tableau de caméra à l'aide du logiciel de configuration « RM-IP10 Setup Tool ».

* Quand le pupitre de télécommande IP est déplacé vers un autre segment, veillez à ce que « Gateway address » soit modifié.

Pour sélectionner un numéro de groupe de caméras

Appuyez sur n'importe quelle touche GROUP/POSITION tout en maintenant la touche SELECT enfoncée. (Pour sélectionner les numéros 9 à 16, sélectionnez le numéro de groupe de caméras tout en maintenant la touche SHIFT enfoncée.)

Pour sélectionner un numéro de caméra

Appuyez sur n'importe quelle touche CAMERA.

Remarque

Les touches GROUP/POSITION et CAMERA clignotent et cessent de clignoter (jusqu'à quatre fois) pendant la mise à jour de l'adresse IP, du nom et du tableau de caméra. Ne mettez pas hors tension le pupitre de télécommande IP pendant au moins 30 secondes. Pendant cet état, n'utilisez pas l'appareil (surtout pas la manette de commande, qui va détecter le point d'origine).

3 Après avoir terminé les réglages, mettez la caméra, le pupitre de télécommande IP et le PC hors tension, puis réglez le commutateur DIP 2 8 sur OFF.

Conseil

Lorsque l'appareil est en mode de mise à jour de la configuration, vous pouvez facilement vérifier la version du micrologiciel de l'appareil.

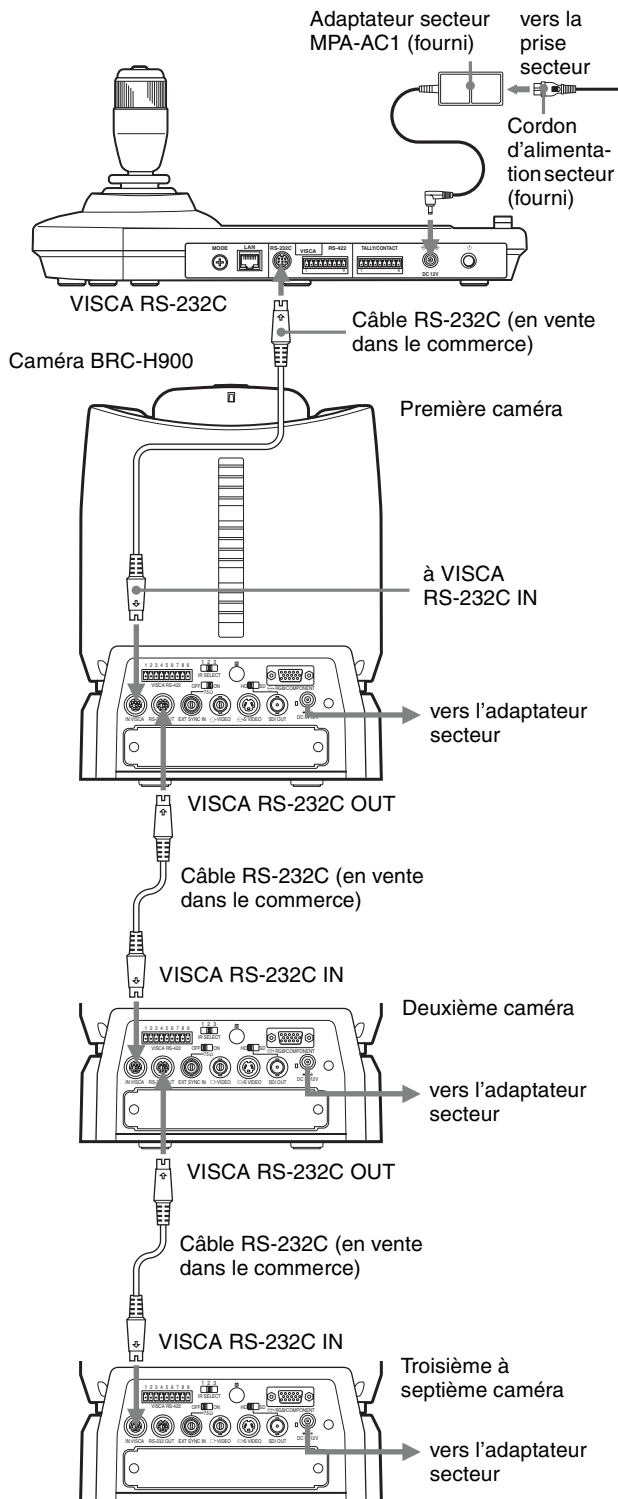
Il est possible de vérifier la version du micrologiciel en observant la touche GROUP/POSITION qui s'allume en jaune quand vous maintenez la touche LOCK enfoncée.

Pour connaître avec précision le numéro de version du micrologiciel, reportez-vous au RM-IP10 Setup Tool.

(Vous pouvez aussi utiliser la touche LOCK pour vérifier la version du micrologiciel en mode de mise à jour de la configuration.)

Raccordement des caméras équipées du connecteur VISCA RS-232C

Le raccordement avec les câbles VISCA RS-232C (de type croisé) permet de commander jusqu'à sept caméras avec un seul pupitre de télécommande IP RM-IP10. (Il faut utiliser un câble RS-232C d'une longueur maximale de 15 m (49,2 pieds).)



Remarque

Lorsque vous effectuez le raccordement avec le connecteur VISCA RS-232C, vérifiez que le commutateur DIP 1 1 est réglé sur ON, et que le commutateur DIP 1 2 est réglé sur OFF (page 10).

Pour attribuer des adresses de caméra

Avant toute utilisation, vous devez attribuer les adresses de caméra aux caméras raccordées comme suit. Vous pouvez ensuite basculer vers la caméra à commander en appuyant simplement sur la touche CAMERA correspondante.

- 1 Mettez toutes les caméras raccordées et cet appareil sous tension.
- 2 Maintenez la touche RESET enfoncée et appuyez sur la touche POWER de cet appareil. L'appareil reconnaît les caméras raccordées et leur attribue automatiquement les adresses de caméra 1 à 7 dans l'ordre de raccordement.
- 3 Appuyez sur la touche POWER de cet appareil et vérifiez si les touches CAMERA sont allumées. Le nombre de touches CAMERA allumées indique combien de caméras se sont vues attribuer une adresse. Vous pouvez désormais basculer vers la caméra que vous souhaitez commander en appuyant sur la touche CAMERA.

Raccordement des caméras équipées du connecteur VISCA RS-422

Le raccordement avec les connecteurs VISCA RS-422 permet de commander plusieurs caméras. Une connexion allant jusqu'à 1 200 m (3 937 pieds) est ainsi possible.

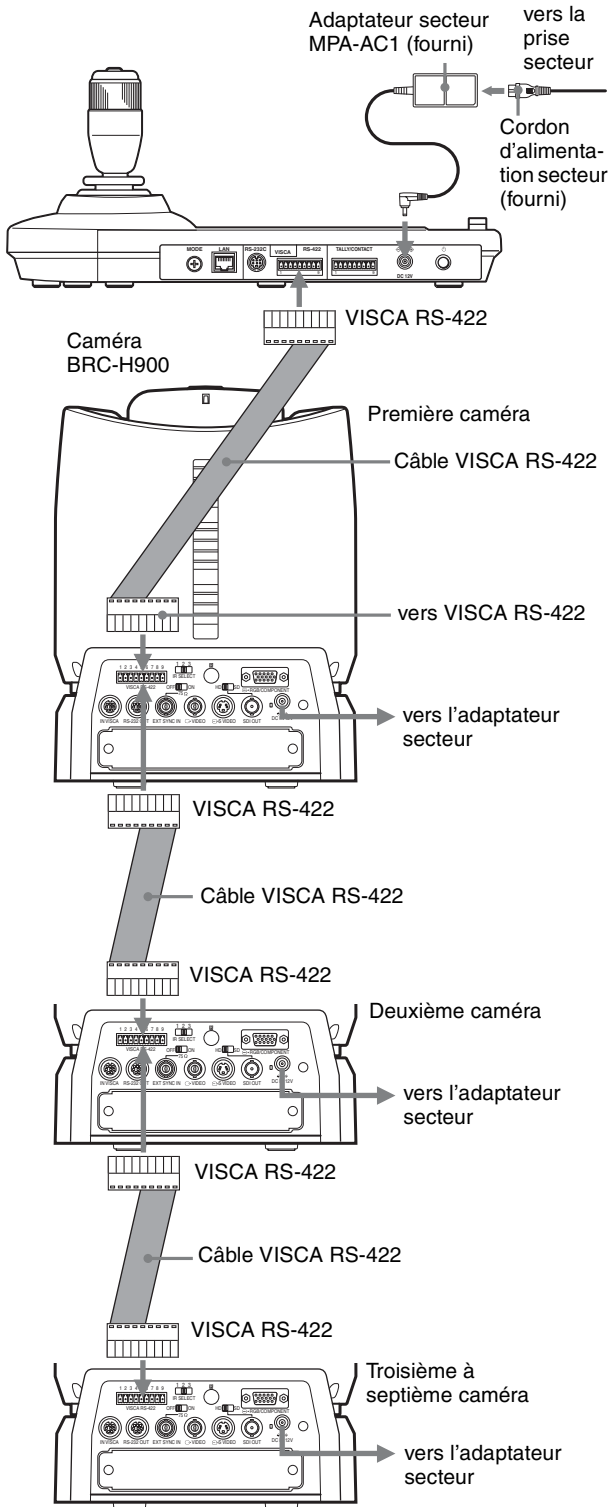
Préparez le câble de raccordement à l'aide de la fiche de connecteur RS-422 fournie avec cet appareil.

Pour préparer le câble, reportez-vous à l'attribution des broches du connecteur VISCA RS-422 (page 26). Pour connaître l'utilisation des fiches de connecteur RS-422, reportez-vous à la page 27.

Remarques

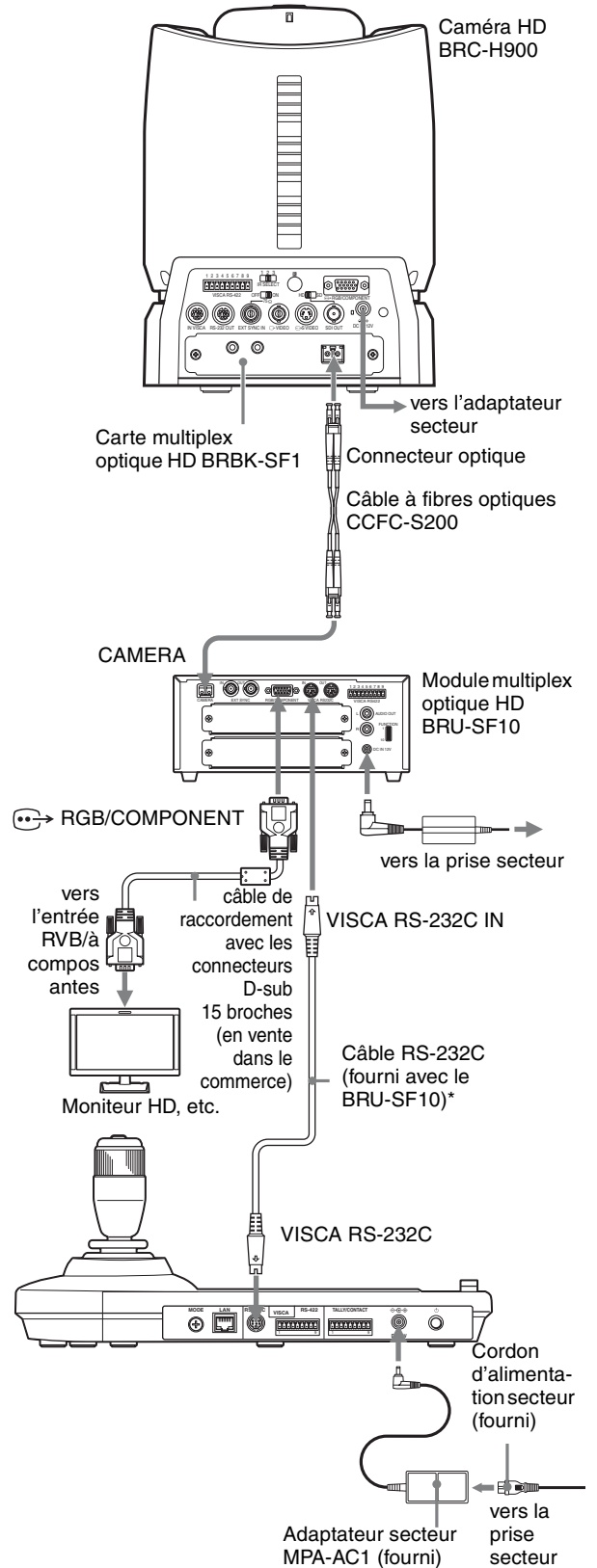
- Lorsque vous effectuez le raccordement avec le connecteur VISCA RS-422, vérifiez que le commutateur DIP 1 1 est réglé sur ON, et que le commutateur DIP 1 2 est réglé sur ON (page 10).

- Lorsque le raccordement avec les connecteurs VISCA RS-422 est terminé, la connexion VISCA RS-232C n'est plus disponible.



Raccordement du module multiplex optique BRU-SF10

Vous pouvez commander la caméra à l'aide de cet appareil via le module multiplex optique BRU-SF10 (non fourni).



* La connexion VISCA RS-422 est également disponible si vous utilisez les connecteurs VISCA RS-422.

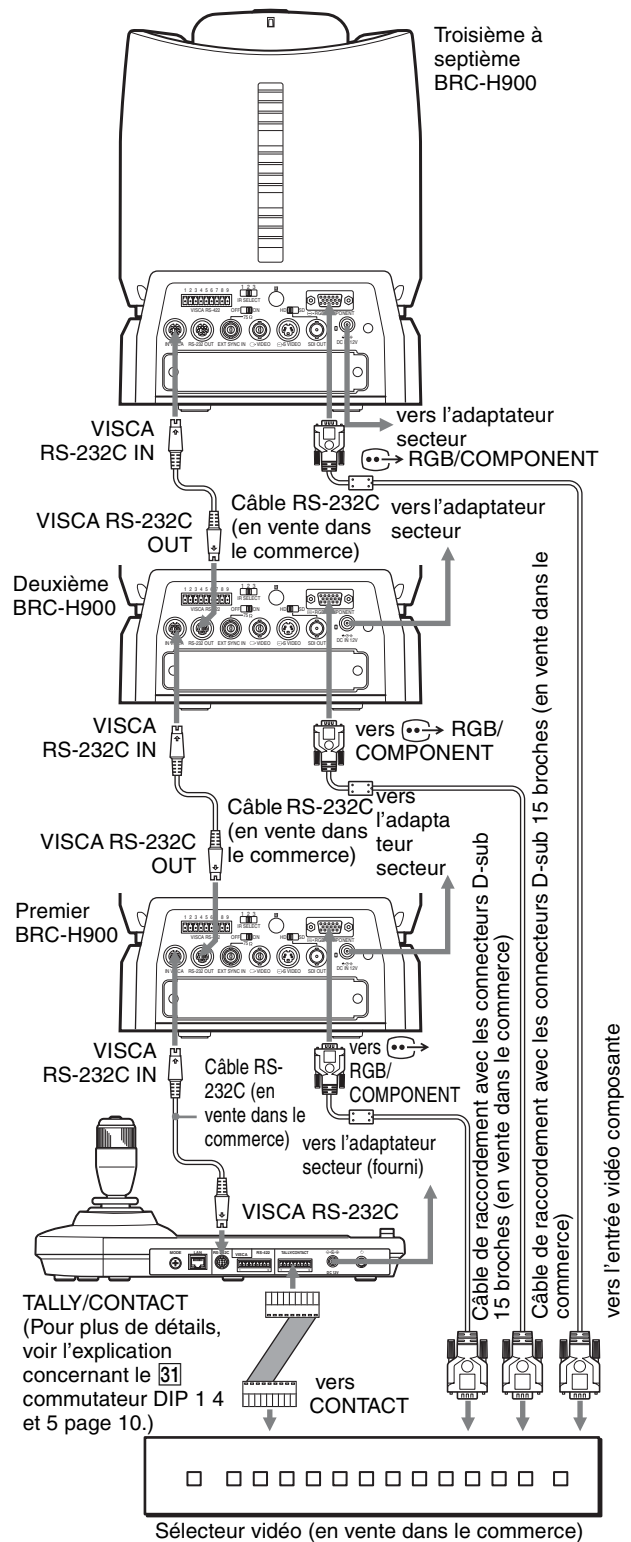
Pour d'autres caméras, vous pouvez également utiliser un module multiplex optique correspondant pour commander la caméra avec cet appareil. Pour plus de détails sur le raccordement, reportez-vous au mode d'emploi fourni avec votre caméra.

Remarques

- Lorsque vous utilisez les connecteurs VISCA RS-232C ou VISCA RS-422, vérifiez que l'interrupteur VISCA FUNCTION situé sur la face inférieure du module multiplex optique et que le commutateur DIP situé sur la face inférieure de cet appareil (page 10) sont réglés correctement.
- Les modules multiplex optiques BRU-SF10 et BRU-H700 ne sont pas compatibles avec la connexion IP. Utilisez-les pour la connexion RS-232C ou RS-422 uniquement.

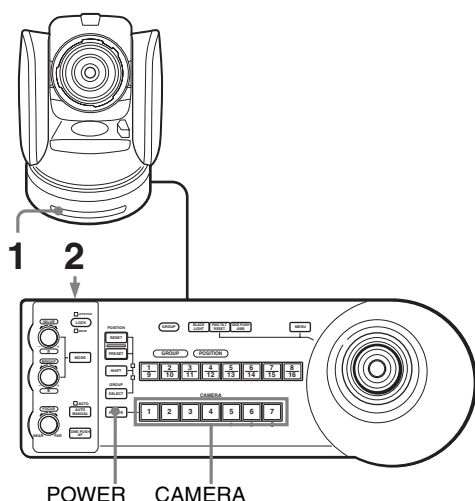
Raccordement d'un sélecteur vidéo

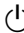
Utilisez un sélecteur vidéo de type à commande par contact en vente dans le commerce pour commuter entre les différents signaux de caméra à émettre.



Pour le raccordement avec un sélecteur vidéo, reportez-vous au mode d'emploi qui l'accompagne.

Mise sous tension



- 1** Branchez la caméra sur une prise secteur. La caméra est sous tension et le témoin POWER s'allume. La caméra effectue automatiquement un panoramique et une inclinaison, puis est réinitialisée à la position mémorisée en POSITION 1 (action de réinitialisation de panoramique/inclinaison).
- 2** Appuyez sur le commutateur  pour mettre l'appareil sous tension. Lorsque l'appareil est mis sous tension, les touches et les témoins clignotent comme suit : Jaune (1 seconde) → Vert (1 seconde) → Rouge (1 seconde) → La touche GROUP/POSITION sélectionnée lors de la dernière mise hors tension de l'appareil (lorsque le témoin supérieur ou inférieur se trouve à côté de la touche SHIFT et du témoin GROUP) et la touche CAMERA (2 secondes) Ensuite, la touche CAMERA représentant la dernière caméra mise hors tension s'allume. (La touche CAMERA 1 s'allume par défaut.) Lors de la connexion à un réseau local LAN, l'appareil commence par le dernier groupe de caméras sélectionné.
- 3** Mettez les périphériques sous tension.

Remarques

- Veillez à mettre la caméra sous tension avant de mettre cet appareil sous tension. Sinon, l'appareil ne peut pas reconnaître la caméra raccordée.
- Ne touchez pas la manette de commande lorsque vous mettez l'appareil sous tension. Cela pourrait affecter la confirmation de l'origine.

Pour mettre la caméra sous/hors tension à l'aide de cet appareil

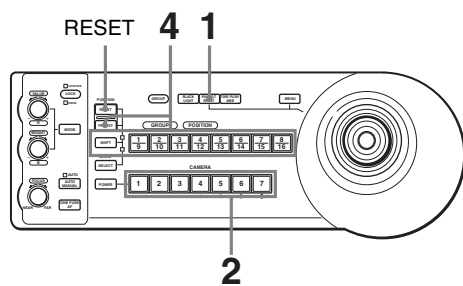
Aussi longtemps que la caméra est branchée sur une prise secteur, vous pouvez la mettre sous ou hors tension à l'aide de la touche POWER de cet appareil.

Tout en maintenant la touche POWER enfoncée, appuyez sur la touche CAMERA correspondant à la caméra que vous souhaitez mettre sous/hors tension. Lorsque vous la mettez hors tension à l'aide de cet appareil, le témoin POWER s'éteint et le témoin STANDBY s'allume sur la caméra.

Mise en mémoire des réglages de la caméra

– Fonction de pré-réglage

À l'aide de cet appareil, vous pouvez mémoriser dans la caméra jusqu'à seize combinaisons de réglages (seize positions), notamment la position de la caméra, le zoom, la mise au point et le rétroéclairage.



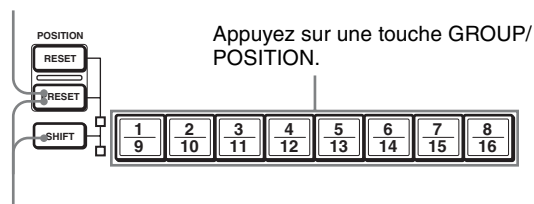
- 1 Appuyez sur la touche PAN-TILT RESET pour réinitialiser la position de panoramique/ d'inclinaison.
- 2 Appuyez sur la touche CAMERA pour sélectionner la caméra sur laquelle vous souhaitez effectuer des pré-réglages.

Pour modifier le numéro de groupe de caméras (pour une connexion IP)

Appuyez sur n'importe quelle touche GROUP/ POSITION tout en maintenant la touche SELECT enfoncée. (Pour sélectionner les numéros 9 à 16, sélectionnez le numéro de groupe de caméras tout en maintenant la touche SHIFT enfoncée.)

- 3 Réglez la position, le zoom, la mise au point et le rétroéclairage de la caméra.
- 4 Tout en maintenant enfoncée la touche PRESET (pour la POSITION 1 à 8) ou les touches SHIFT et PRESET (pour la POSITION 9 à 16), appuyez sur la touche GROUP/ POSITION sur laquelle vous souhaitez mémoriser les réglages.

Lorsque cette touche est maintenue enfoncée (pour la POSITION 1 à 8)



Lorsque cette touche est maintenue enfoncée (pour la POSITION 9 à 16)

Les réglages sont automatiquement enregistrés dans la mémoire de la caméra.

La touche enfoncée clignote pendant la mise en mémoire. Elle cesse de clignoter une fois la mise en mémoire terminée.

Nous vous recommandons de vérifier les paramètres mémorisés en rappelant le pré-réglage.

Pour rappeler les réglages mémorisés

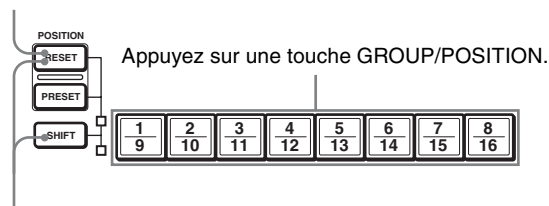
Appuyez sur la touche GROUP/ POSITION sur laquelle vous avez mémorisé les réglages.

Pour la POSITION 9 à 16, maintenez la touche SHIFT enfoncée, puis appuyez sur la touche GROUP/ POSITION.

Pour annuler la mémoire pré-réglée

Tout en maintenant enfoncée la touche RESET (pour la POSITION 1 à 8) ou les touches SHIFT et RESET (pour la POSITION 9 à 16), appuyez sur la touche GROUP/ POSITION sur laquelle vous souhaitez annuler les réglages.

Lorsque cette touche est maintenue enfoncée (pour la POSITION 1 à 8)



Lorsque cette touche est maintenue enfoncée (pour la POSITION 9 à 16)

La touche enfoncée clignote pendant l'annulation des réglages. Elle cesse de clignoter une fois les réglages annulés.

Remarques

- Lorsqu'elle est mise sous tension, la caméra démarre avec les réglages mémorisés en POSITION 1.
- Si vous souhaitez conserver les positions de panoramique et d'inclinaison précédentes lors de la mise sous tension, puis hors tension, mémorisez ces positions en POSITION 1.
- Lorsque vous mémorisez ou annulez les réglages dans une POSITION, vous ne pouvez pas rappeler, mémoriser ou annuler les réglages dans une autre POSITION.

Réglage de la vitesse de la caméra se déplaçant vers une position préréglée*

* La vitesse de déplacement est enregistrée dans la mémoire interne de la caméra. Les BRC-H900, BRC-Z700 et BRC-Z330 sont compatibles avec cette fonction.

Vous pouvez sélectionner la vitesse de panoramique/d'inclinaison lorsque la caméra se déplace vers une position préréglée.

- 1 Appuyez sur la touche CAMERA pour sélectionner la caméra dont vous souhaitez régler la vitesse.

Pour modifier le numéro de groupe de caméras (pour une connexion IP)

Appuyez sur n'importe quelle touche GROUP/POSITION tout en maintenant la touche SELECT enfoncée. (Pour sélectionner les numéros 9 à 16, sélectionnez le numéro de groupe de caméras tout en maintenant la touche SHIFT enfoncée.)

- 2 Appuyez sur la touche GROUP/POSITION pour laquelle vous souhaitez régler la vitesse pendant plus d'une seconde.
Toutes les touches CAMERA 1 à 7 clignotent.

- 3 Appuyez sur l'une des touches CAMERA pour sélectionner la vitesse.

Touche CAMERA	Vitesse de panoramique/d'inclinaison	
	BRC-Z700, BRC-H900	BRC-Z330
1	1 degré/s	1,3 degrés/s
2	2,2 degrés/s	3,4 degrés/s
3	4,8 degrés/s	5,4 degrés/s
4	11 degrés/s	11,6 degrés/s
5	23,3 degrés/s	23,9 degrés/s
6	43 degrés/s	43,4 degrés/s
7	60 degrés/s (par défaut)	60 degrés/s (par défaut)

La caméra va maintenant se déplacer vers la position préréglée sur la touche GROUP/POSITION à la vitesse sélectionnée.

Pour régler la vitesse de la caméra se déplaçant vers une position préréglée entre 9 et 16

Pour régler la vitesse de la caméra se déplaçant vers une position préréglée entre 9 et 16, maintenez la touche SHIFT enfoncée, puis appuyez sur la touche GROUP/POSITION correspondante.

Utilisation de la fonction mise en mémoire du RM-IP10

La fonction suivante pour les opérations de panoramique/d'inclinaison avec le RM-IP10 est mémorisée dans cet appareil.

Fixation d'une limite de vitesse maximale de panoramique/d'inclinaison

Vous pouvez limiter la vitesse de panoramique/d'inclinaison obtenue lorsque vous inclinez la manette de commande à l'angle maximal.

- Maintenez la touche PAN-TILT RESET enfoncée pendant plus d'une seconde tout en appuyant sur la touche SHIFT.
Toutes les touches CAMERA 1 à 7 clignent.
- Appuyez sur la touche CAMERA correspondant à la vitesse que vous souhaitez régler, comme indiqué dans le tableau ci-dessous.

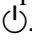
Touche CAMERA	Vitesse de panoramique/d'inclinaison maximale	
	BRC-Z700, BRC-H900	BRC-Z330
1	3,5 degrés/s	4,4 degrés/s
2	6,4 degrés/s	6,7 degrés/s
3	11 degrés/s	11,6 degrés/s
4	18,3 degrés/s	18,6 degrés/s
5	29 degrés/s	29,2 degrés/s
6	43 degrés/s	43,4 degrés/s
7	60 degrés/s	60 degrés/s

Seule la touche CAMERA sur laquelle vous avez appuyé clignote, et la vitesse de panoramique/d'inclinaison maximale correspondante est définie.

Remarque

Si vous utilisez un autre RM-IP10 ou raccordez une autre caméra à cet appareil, fixez une nouvelle limite de vitesse maximale de panoramique/d'inclinaison.

Pour revenir aux réglages d'usine

- Mettez l'appareil sous tension tout en maintenant les touches RESET et SELECT enfoncées. Lorsque l'appareil est mis sous tension, les touches et les témoins clignent comme suit : Jaune (1 seconde) → Vert (1 seconde) → Rouge (1 seconde) → La touche GROUP/POSITION sélectionnée lors de la dernière mise hors tension de l'appareil (lorsque le témoin supérieur ou inférieur se trouve à côté de la touche SHIFT et du témoin GROUP) et la touche CAMERA (2 secondes)
- Lorsque les touches GROUP/POSITION et CAMERA clignent en vert, relâchez les touches RESET et SELECT, puis mettez l'appareil hors tension en appuyant sur la touche . Lors de sa mise sous tension suivante, l'appareil démarre avec ses réglages d'usine.

Réglages en usine

- Adresse IP du pupitre de télécommande IP : 192.168.0.10
- Masque de sous-réseau du pupitre de télécommande IP : 255.255.255.0
- Passerelle par défaut du pupitre de télécommande IP : 0.0.0.0
- Nom du pupitre de télécommande IP : CTL1
- Une adresse IP de 192.168.0.100 est attribuée au numéro de caméra 1 du numéro de groupe de caméras 1. Aucune adresse IP n'est attribuée à un autre numéro de caméra ou numéro de groupe de caméras.
- L'appareil démarre avec le numéro de caméra 1 du numéro de groupe de caméras 1 sélectionné.
- Touche LOCK : La fonction de verrouillage n'est pas activée.

Dépannage

Avant d'amener votre appareil à réparer, vérifiez ce qui suit pour vous guider dans la résolution du problème. Si le problème ne peut pas être corrigé, consultez votre revendeur Sony.

Symptôme	Cause	Solution
L'appareil ne se met pas sous tension.	L'adaptateur secteur n'est pas bien branché à la prise DC IN 12 V.	Insérez le cordon d'alimentation à fond.
	Le cordon d'alimentation n'est pas bien inséré dans l'adaptateur secteur ou la prise secteur.	Insérez le cordon d'alimentation à fond.
Il est impossible d'utiliser la caméra avec cet appareil.	Le réglage de la communication est incorrect.	Sélectionnez le réglage adéquat avec le commutateur DIP situé sur la face inférieure de l'appareil (page 10). Sélectionnez l'une des connexions LAN, RS-232C et RS-422.
	Le réglage du débit en bauds de communication de la caméra et celui de l'appareil sont différents. (Lors du raccordement avec le RS-232C/RS-422.)	Sélectionnez le débit en bauds de communication 9 600 bps ou 38 400 bps, avec le commutateur DIP de l'appareil (page 10) qui est sélectionné sur la caméra.
	Le raccordement avec les connecteurs VISCA RS-422 n'a pas été bien effectué. (Lors du raccordement avec le RS-422.)	Vérifiez si le raccordement aux connecteurs VISCA RS-422 a été bien effectué et si le câble RS-422 est raccordé correctement.
L'appareil ne fonctionne pas du tout.	—	Débranchez la fiche du cordon d'alimentation de la prise secteur, puis réinsérez-la dans la prise secteur après un certain temps.
Le réglage du pupitre de télécommande IP ne peut pas être modifié avec le logiciel de configuration « RM-IP10 Setup Tool ».	Le pupitre de télécommande IP n'est pas réglé sur le mode de mise à jour de la configuration.	Réglez le pupitre de télécommande IP sur le mode de mise à jour de la configuration à l'aide du commutateur DIP situé sur la face inférieure de l'appareil (page 10).
Les touches GROUP/POSITION et CAMERA clignotent en vert.	Le pupitre de télécommande IP est réglé sur le mode de mise à jour de la configuration.	Annulez le mode de mise à jour de la configuration avec le commutateur DIP situé sur la face inférieure de l'appareil (page 10).
Les témoins KNOB/JOYSTICK ne s'allument pas ou l'ordre d'éclairage est différent.	Le réglage de la fonction de la touche LOCK est incorrect.	Vérifiez le réglage du commutateur DIP situé sur la face inférieure de l'appareil (page 10).
La manette de commande et les touches PAN TILT et MENU sont inutilisables.	La fonction LOCK est activée.	Annulez la fonction LOCK en appuyant sur la touche LOCK.
Les touches GROUP/POSITION et SELECT sont inutilisables.	Vous n'utilisez pas la connexion IP.	Ces touches fonctionnent uniquement pour la connexion IP.
La caméra ne peut pas être commandée par la télécommande IP lorsque ces deux appareils sont reliés directement.	Vous n'utilisez pas de câble croisé LAN.	Utilisez un câble croisé LAN pour effectuer une connexion LAN un-à-un.

Spécifications

Connecteurs d'entrée/de sortie

Entrée/sortie de commande

VISCA RS-232C OUT : mini-DIN à 8 broches

VISCA RS-422 : à 9 broches

TALLY IN/CONTACT OUT : à 9 broches

LAN : RJ-45 (8 broches), 10BASE-T/100BASE-TX automatiquement détecté

Format des signaux de commande (pour la communication RS-232C/RS-422)

9 600 bps/38 400 bps

Données : 8 bits

Bit d'arrêt : 1

Connecteur électrique

JEITA type 4 (DC IN 12 V)

Généralités

Tension d'entrée

12 V CC (10,8 à 13,2 V CC)

Consommation

0,3 A max. (à 12 V CC), 3,6 W

Température de fonctionnement

De 0 °C à 40 °C (32 °F à 104 °F)

Température de stockage

De -20 °C à +60 °C (-4 °F à 140 °F)

Dimensions 391,3 mm × 165 mm × 145,9 mm

(15 1/2 pouces × 6 1/2 pouces × 5 3/4 pouces) (l/h/p)

Masse

Environ 950 g (2 lb 15 oz)

Accessoires fournis

Adaptateur secteur MPA-AC1 (Sony) (1)

Cordon d'alimentation secteur (1)

CD-ROM (1)

Fiche de connecteur RS-422 (fixée à l'appareil) (2)

Mode d'emploi (1)

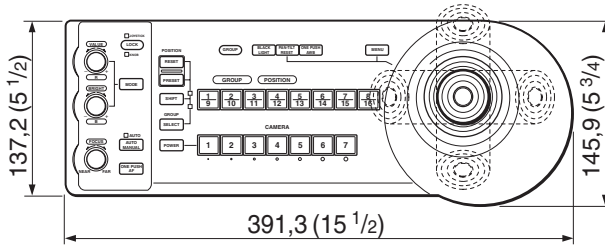
La conception et les spécifications sont sujettes à modification sans préavis.

Remarques

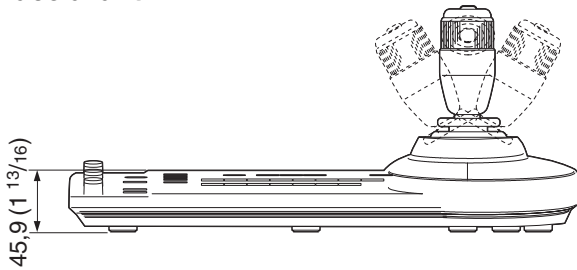
- Vérifiez toujours que l'appareil fonctionne correctement avant l'utilisation. **Sony n'assumera pas de responsabilité pour les dommages de quelque sorte qu'ils soient, incluant mais ne se limitant pas à la compensation ou au remboursement, à cause de la perte de profits actuels ou futurs suite à la défaillance de cet appareil, que ce soit pendant la période de garantie ou après son expiration, ou pour toute autre raison quelle qu'elle soit.**
- **Sony n'assumera pas de responsabilité pour les réclamations, quelle qu'elles soient, effectuées par les utilisateurs de cet appareil ou par des tierces parties.**
- **Sony n'assumera pas de responsabilité pour la cessation ou l'interruption de tout service lié à cet appareil, résultant de quelque circonstance que ce soit.**

Dimensions

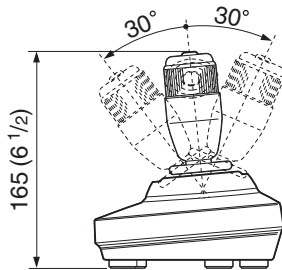
Face supérieure



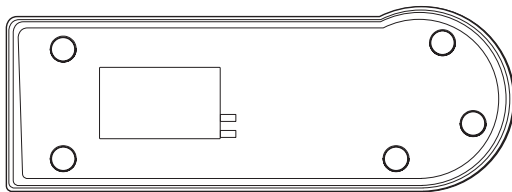
Face avant



Face latérale



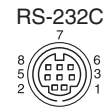
Face inférieure



Unité : mm (pouces)

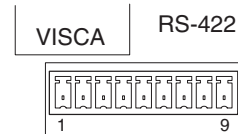
Attribution des broches

Connecteur de sortie VISCA RS-232C (mini DIN à 8 broches, femelle)



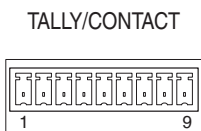
N° de broche	Fonction
1	Aucun raccordement
2	Aucun raccordement
3	TXD IN
4	GND
5	RXD IN
6	GND
7	Aucun raccordement
8	Aucun raccordement

Connecteur VISCA RS-422 (fiche de connecteur, 9 broches)



N° de broche	Fonction
1	Aucun raccordement
2	Aucun raccordement
3	Aucun raccordement
4	Aucun raccordement
5	GND
6	RXD IN-
7	RXD IN+
8	TXD IN-
9	TXD IN+

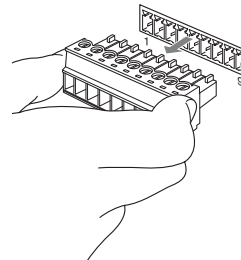
Connecteur TALLY/CONTACT (fiche de connecteur, 9 broches)



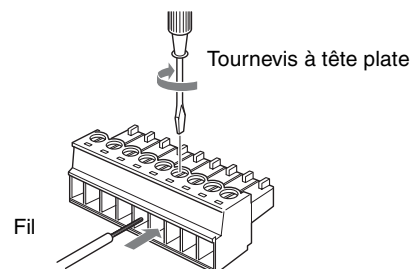
N° de broche	Fonction
1	CAMERA1
2	CAMERA2
3	CAMERA3
4	CAMERA4
5	CAMERA5
6	CAMERA6
7	CAMERA7
8	GND
9	GND

Utilisation de la fiche de connecteur VISCA RS-422

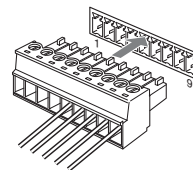
- 1 Saisissez les deux extrémités de la fiche de connecteur VISCA RS-422 et tirez pour la retirer, tel qu'indiqué sur l'illustration.



- 2 Insérez un câble (AWG N° 28 à 18) dans l'ouverture pour câble désirée sur la fiche et serrez la vis de ce câble au moyen d'un tournevis à tête plate.



- 3 Insérez la fiche de connecteur VISCA RS-422 dans le connecteur VISCA RS-422.

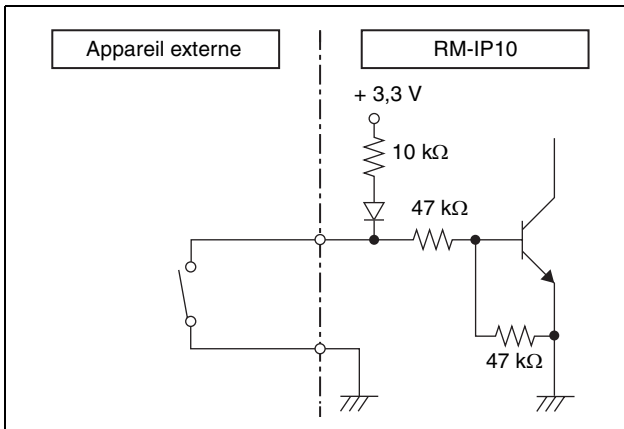


Remarques

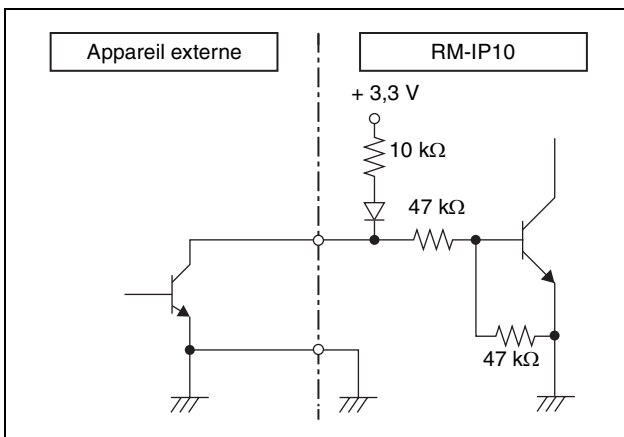
- Afin de stabiliser le niveau de tension du signal, raccordez les deux extrémités à la terre (GND).
- La distance maximale de raccordement avec une connexion VISCA RS-422 est d'environ 1 200 m (3 937 pieds).

Exemple de raccordement du connecteur TALLY/CONTACT pour l'entrée

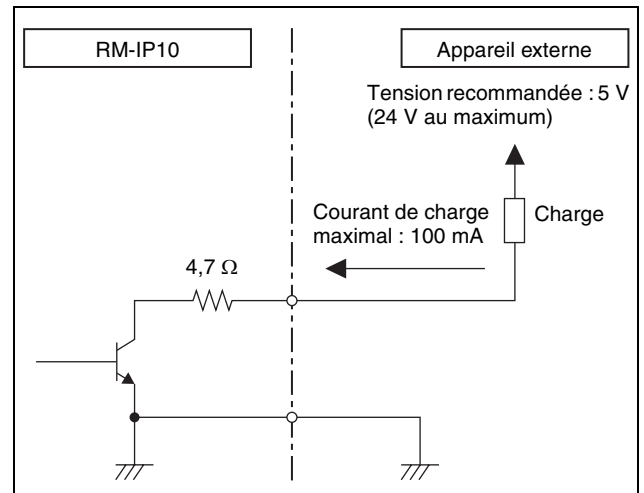
Raccordement d'interrupteur ou de relais



Raccordement de collecteur ouvert



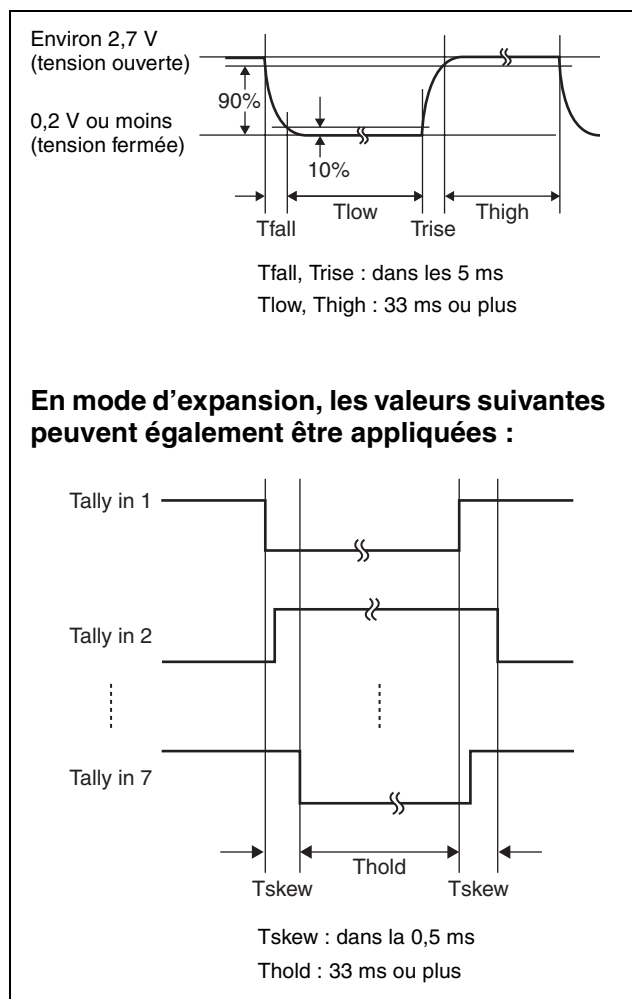
Exemple de raccordement du connecteur TALLY/CONTACT pour la sortie



AVERTISSEMENT

Si un courant d'appel ou une tension inverse supérieure à la puissance nominale est appliquée au connecteur TALLY/CONTACT, cela peut entraîner un dysfonctionnement, de la fumée ou un incendie.

Forme d'onde d'entrée du connecteur TALLY/CONTACT



Licence

Ce logiciel prend partiellement en charge le composant uIP. Par conséquent, les conditions de licence suivantes sont applicables.

Copyright (c) 2001-2006, Adam Dunkels and the Swedish Institute of Computer Science All rights reserved.

Redistribution and use in source and binary forms, with or without modification, are permitted provided that the following conditions are met:

1. Redistributions of source code must retain the above copyright notice, this list of conditions and the following disclaimer.
2. Redistributions in binary form must reproduce the above copyright notice, this list of conditions and the following disclaimer in the documentation and/or other materials provided with the distribution.
3. The name of the author may not be used to endorse or promote products derived from this software without specific prior written permission.

THIS SOFTWARE IS PROVIDED BY THE AUTHOR 'AS IS' AND ANY EXPRESS OR IMPLIED WARRANTIES, INCLUDING, BUT NOT LIMITED TO, THE IMPLIED WARRANTIES OF MERCHANTABILITY AND FITNESS FOR A PARTICULAR PURPOSE ARE DISCLAIMED. IN NO EVENT SHALL THE AUTHOR BE LIABLE FOR ANY DIRECT, INDIRECT, INCIDENTAL, SPECIAL, EXEMPLARY, OR CONSEQUENTIAL DAMAGES (INCLUDING, BUT NOT LIMITED TO, PROCUREMENT OF SUBSTITUTE GOODS OR SERVICES; LOSS OF USE, DATA, OR PROFITS; OR BUSINESS INTERRUPTION) HOWEVER CAUSED AND ON ANY THEORY OF LIABILITY, WHETHER IN CONTRACT, STRICT LIABILITY, OR TORT (INCLUDING NEGLIGENCE OR OTHERWISE) ARISING IN ANY WAY OUT OF THE USE OF THIS SOFTWARE, EVEN IF ADVISED OF THE POSSIBILITY OF SUCH DAMAGE.

Antes de poner en funcionamiento la unidad, lea detenidamente este manual y consérvelo para referencias futuras.

ADVERTENCIA

Para reducir el riesgo de electrocución, no exponga este aparato a la lluvia ni a la humedad.

Para evitar descargas eléctricas, no abra el aparato. Solicite asistencia técnica únicamente a personal especializado.

ADVERTENCIA

Utilice el adaptador de alimentación de CA MPA-AC1 Sony provisto con este equipo como fuente de alimentación. Cualquier otra fuente de alimentación podrá resultar en peligros tales como un incendio. El dispositivo de desconexión de este equipo es la clavija de conexión a la red del adaptador de CA. Para desconectar la alimentación de la red deberá utilizarse la clavija de conexión a la red de este equipo. Por favor, asegúrese de que la toma de corriente esté instalada cerca del equipo y que sea fácilmente accesible. En caso de operaciones anormales, desconecte la clavija de conexión a la red.

IMPORTANTE

La placa de características está situada en la parte inferior.

Para los clientes de Europa, Australia y Nueva Zelanda

ADVERTENCIA

Éste es un producto de clase A. En un ambiente doméstico, este producto puede causar interferencias radioeléctricas, en cuyo caso el usuario puede tener que tomar las medidas adecuadas. En el caso de que se produzcan interferencias, póngase en contacto con el centro de asistencia autorizado de Sony más cercano.

Para los clientes de Europa

Este producto ha sido fabricado por, o en nombre de Sony Corporation, 1-7-1 Konan Minato-ku Tokyo, 108-0075 Japón. Las consultas relacionadas con la conformidad del producto basadas en la legislación de la Unión Europea deben dirigirse al representante autorizado, Sony Deutschland GmbH, Hedelfinger Strasse 61, 70327 Stuttgart, Alemania.

Este dispositivo no debe utilizarse en zonas residenciales.

Contenido

Procedimientos iniciales

Precauciones	4
--------------------	---

Descripción general

Características	5
Ubicación y función de las piezas	6

Conexiones y operaciones

Conexiones	14
Conexión de cámaras compatibles con conexión IP	14
Conexión de cámaras equipadas con el conector VISCA RS-232C	17
Conexión de cámaras equipadas con el conector VISCA RS-422	17
Conexión de la unidad de multiplexación óptica BRU-SF10	18
Conexión de un conmutador de vídeo	19
Encendido de la alimentación	20
Almacenamiento de los ajustes de la cámara en la memoria – Función de preajuste	21
Ajuste de la velocidad del movimiento de la cámara a una posición predeterminada	22
Uso de la función almacenada en la memoria del RM-IP10	23
Para poner un límite en la velocidad máxima del movimiento horizontal/vertical	23
Para volver a los ajustes de fábrica	23

Apéndice

Solución de problemas	24
Especificaciones	25
Dimensiones	26
Asignaciones de contactos	26
Para usar la clavija de conexión VISCA RS-422	27
Conexión de ejemplo del conector TALLY/ CONTACT para recibir entrada	28
Conexión de ejemplo del conector TALLY/ CONTACT para salida	28
Forma de onda de entrada del conector TALLY/ CONTACT	28
Licencia	29

Uso del manual incluido en el CD-ROM

El manual del software de configuración “RM-IP10 Setup Tool” puede leerse en un equipo que tenga Adobe Reader instalado.

Puede descargar Adobe Reader de forma gratuita en la página web de Adobe.

- 1 Abra el archivo index.html del CD-ROM.
- 2 Seleccione y haga clic en el manual que desee leer.

Nota

Si pierde o daña el CD-ROM, puede comprar uno nuevo con la ayuda de su distribuidor de Sony o del servicio de atención al cliente de Sony.

- Microsoft y Windows son marcas comerciales registradas de Microsoft Corporation en los Estados Unidos y en otros países.
- Intel y Core son marcas comerciales registradas de Intel Corporation o sus filiales en los Estados Unidos y en otros países.
- Adobe y Adobe Reader son marcas comerciales de Adobe Systems Incorporated en los Estados Unidos y/o en otros países.

El resto de nombres de empresas y productos son marcas comerciales o marcas comerciales registradas de sus respectivas empresas o sus respectivos fabricantes.

Precauciones

Lugar de funcionamiento o almacenamiento

La unidad puede sufrir daños si se utiliza o se almacena en los lugares siguientes:

- Lugares extremadamente cálidos o fríos (temperatura de funcionamiento: 0 °C a 40 °C [32 °F a 104 °F])
- Lugares expuestos a la luz solar directa durante mucho tiempo o cerca de equipos de calefacción (por ejemplo, radiadores)
- Cerca de fuentes de magnetismo intenso
- Cerca de fuentes de radiación electromagnética intensa como radios o transmisores de TV
- Lugares expuestos a golpes o vibraciones intensas

Ventilación

Para evitar el recalentamiento interno, no obstruya la circulación de aire alrededor de la unidad.

Transporte

Para transportar la unidad, vuelva a embalarla en su embalaje original de fábrica o con materiales de calidad equivalente.

Limpieza

- Utilice un paño suave y seco para limpiar las superficies externas de la unidad. Para eliminar las manchas difíciles, utilice un paño suave humedecido con una pequeña cantidad de solución detergente y, a continuación, seque la unidad con un paño.
- No utilice disolventes volátiles, como alcohol, bencina o diluyentes, ya que pueden dañar los acabados de la superficie.

Sobre la condensación de la humedad

Si la unidad se lleva de repente de un lugar frío a uno cálido o si la temperatura ambiente sufre un aumento repentino, es posible que se acumule humedad en la superficie exterior o interior de la unidad. Este fenómeno se conoce como condensación. Si se produce condensación, apague la unidad y espere a que se evapore antes de ponerla en marcha. No la utilice en ese estado, ya que podría dañarla.

Sobre la vida útil de las piezas

La vida útil del adaptador de CA y del condensador electrolítico es de unos 5 años con las temperaturas de funcionamiento habituales y un uso normal (8 horas al día, 25 días al mes). Si el uso supera la frecuencia normal indicada, es posible que la vida útil se vea reducida.

Características

Utilice hasta 112 cámaras*¹ a través de la conexión IP

Puede utilizar hasta 112 cámaras con la ayuda de un concentrador de conmutación disponible en el mercado. Las cámaras pueden utilizarse con un máximo de cinco controladores remotos IP conectados a la red*².

Con la ayuda del software de configuración incluido, puede establecer las direcciones IP de las 112 cámaras y los cinco controladores remotos IP desde su PC.

*1 Cámaras compatibles: BRC-H900/Z330 con la tarjeta de control BRBK-IP10 IP opcional insertada, BRC-Z700 con la tarjeta de control BRBK-IP7Z IP opcional insertada, SRG-300H, SRG-120DH. (A partir de enero de 2014)

*2 La red debe ser independiente del resto de sistemas y redes. Cuando se controla una cámara que se encuentra en una red de un segmento diferente a través de un router, dicha red también debe ser independiente.

Si se utiliza una línea con pérdida de paquetes o retraso, podría producirse un fallo de funcionamiento. No establezca la conexión con redes que utilicen redes públicas, como Internet.

No tenga más de 112 cámaras, 5 controladores remotos IP y un PC para el ajuste, conectados mediante la conexión IP.

El router es compatible con el controlador remoto IP con la versión de firmware 2.1 o superior, y la tarjeta opcional BRBK-IP10/IP7Z con la versión de firmware 2.1 o superior.

Compatible con VISCA RS-232C/RS-422*³

Puede seleccionar el método de comunicación entre conexión IP, RS-232C o RS-422.

La unidad puede controlar hasta siete cámaras cuando se selecciona la conexión VISCA RS-232C/RS-422.

*3 Cámaras compatibles: BRC-H900, BRC-Z700, BRC-Z330, SRG-300H, SRG-120DH (SRG-120DH no es compatible con la conexión RS-422). (A partir de enero de 2014)

Nota

No puede utilizar el método de comunicación múltiple de forma simultánea.

La palanca de control óptica de tres ejes permite utilizar las opciones de movimiento horizontal/vertical/zoom de una forma muy cómoda.

Sencilla configuración de los versátiles ajustes de la cámara

Con la ayuda de los botones de la unidad puede realizar varios ajustes de una forma muy sencilla, como el enfoque automático, el ajuste de enfoque automático directo, el ajuste de AE, el ajuste automático directo del balance de blancos y la compensación de contraluz.

Función de preajuste para guardar los ajustes de la cámara

Puede guardar hasta 16 combinaciones de ajustes de la cámara en la memoria de la cámara, como las posiciones de movimiento horizontal/vertical/zoom y otros valores de ajuste de la cámara.

Notas

- Las funciones utilizables se limitan a las que estén disponibles en la cámara.
- Este manual describe principalmente las funciones de la unidad de la cámara BRC-H900.
Si se conecta otra cámara, consulte el Manual de instrucciones incluido con dicha cámara para consultar las funciones disponibles.

Requisitos del sistema para el PC

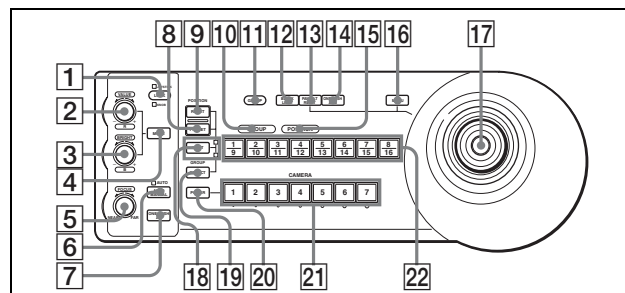
Para poder utilizar el software incluido, necesita un PC con las siguientes especificaciones.

- CPU: Intel Core2 Duo 2.4 GHz o superior (recomendado)
- Memoria: 1 GB o más (recomendado)
- Unidad de disco duro: más de 50 MB disponibles
- Puerto LAN: 10BASE-T o 100BASE-TX
- Otros: unidad CD-ROM, Adobe Reader (para ver el Manual de instrucciones en el CD-ROM)
- SO: Microsoft Windows XP, Windows Vista, Windows 7

Ubicación y función de las piezas

Este manual se basa en el funcionamiento del RM-IP10 cuando se utiliza con una videocámara a color de la serie BRC.

Parte delantera



1 Botón LOCK e indicadores JOYSTICK/KNOB

Cada vez que pulse el botón LOCK durante más de un segundo, se encenderán o apagarán los indicadores JOYSTICK y/o KNOB.*

Cuando el indicador JOYSTICK está encendido, no es posible utilizar la palanca de control **17**, el botón PAN-TILT RESET **13** ni el botón MENU **16**.

Cuando el indicador KNOB está encendido, no es posible utilizar el control VALUE/R **2**, el control BRIGHT/B **3**, el botón MODE **4**, el control FOCUS **5**, el botón AUTO/MANUAL **6** ni el botón **7** ONE PUSH AF.

* Para obtener más información sobre el patrón de iluminación de los indicadores JOYSTICK/KNOB, consulte el ajuste de los interruptores DIP 1 n.º 7 y 8.

2 Control VALUE/R

Cuando se selecciona el modo de ajuste de brillo con el botón MODE (con el indicador VALUE encendido):

Este control ajusta el valor del elemento (SHUTTER o IRIS) seleccionado en la cámara.

Cuando el indicador VALUE esté encendido, la función del control variará de acuerdo con el modo de exposición seleccionado en la cámara. Para conocer detalles, consulte "Funciones de los controles VALUE y BRIGHT" en la página 7.

Cuando se selecciona el modo de ajuste del balance de blancos con el botón MODE (con el indicador R encendido):

Este control ajusta R. GAIN (ganancia de rojo).

La función del control con el indicador R encendido variará de acuerdo con el modo de balance de blancos seleccionado en la cámara. Para conocer

detalles, consulte “Funciones de los controles R y B” en la página 7.

3 Control BRIGHT/B

Cuando se selecciona el modo de ajuste de brillo con el botón MODE (con el indicador BRIGHT encendido):

Este control ajusta el valor del brillo de la cámara, etc.

Cuando el indicador BRIGHT esté encendido, la función del control variará de acuerdo con el modo de exposición seleccionado en la cámara. Para conocer detalles, consulte “Funciones de los controles VALUE y BRIGHT” en la página 7.

Cuando se selecciona el modo de ajuste del balance de blancos con el botón MODE (con el indicador B encendido):

Este control ajusta B. GAIN (ganancia de azul).

La función del control con el indicador B encendido variará de acuerdo con el modo de balance de blancos seleccionado en la cámara. Para conocer detalles, consulte “Funciones de los controles R y B” en la página 7.

Funciones de los controles VALUE y BRIGHT

Las funciones del control VALUE y del control BRIGHT cambian según el ajuste del modo de exposición de la cámara, del modo siguiente:

Modo de exposición de la cámara	Función de control VALUE	Función de control BRIGHT
FULL AUTO	No asignado	Control del nivel de compensación de la exposición (Cuando se activa la función de compensación de la exposición en la cámara.)
BACK LIGHT***	No asignado	
SPOT LIGHT***	No asignado	
SHUTTER Pri	Control de velocidad del obturador	
IRIS Pri	Control del iris	Control del nivel de AE****
GAIN Pri**	Control de la ganancia**	
BRIGHT	No asignado	Control del nivel de brillo
MANUAL	Control de velocidad del obturador	Control del iris*

* Los controles del iris y la ganancia pueden utilizarse cuando el interruptor DIP 2 n.º 3 está establecido en ON.

** Disponible únicamente para BRC-Z700 y BRC-Z330

*** Disponible únicamente para BRC-H900

**** Disponible únicamente para BRC-H900, SRG-300H y SRG-120DH

Funciones de los controles R y B

Cuando el modo de ajuste del balance de blancos se selecciona con el botón MODE de esta unidad, las funciones del control R y del control B cambian según el ajuste del modo de balance de blancos en el menú de la cámara.

Modo de balance de blancos de la cámara	Función del control R	Función del control B
MANUAL	Control de la ganancia de rojo	Control de la ganancia de azul
AUTO1*	Control WB	Control WB
AUTO2*	R.SHIFT*	B.SHIFT*
AUTO**	Control OFF	Control OFF
ONE PUSH	SET**	SET**

* BRC-Z700 y BRC-Z330 únicamente

** BRC-H900 únicamente

4 Botón MODE

Pulse este botón para seleccionar la función del control VALUE/R y del control BRIGHT/B.

Cuando se selecciona el modo de ajuste de brillo, se encienden los indicadores VALUE y BRIGHT.

Cuando se selecciona el modo de ajuste de balance de blancos, se encienden los indicadores R y B.

5 Control FOCUS

Este control se habilita cuando se selecciona MANUAL con el botón AUTO/MANUAL. Gire este control de derecha a izquierda (hacia NEAR) para enfocar sobre un sujeto cercano, y de izquierda a derecha (hacia FAR) para enfocar sobre un sujeto lejano.

6 Botón AUTO/MANUAL e indicador AUTO

Pulse este botón para seleccionar el modo de enfoque, AUTO o MANUAL.

Cuando se selecciona AUTO, el indicador AUTO se enciende y la cámara enfoca automáticamente al sujeto que se encuentra en el centro de la pantalla. El control FOCUS y el botón ONE PUSH AF se desactivan.

Cuando se selecciona MANUAL, el control FOCUS y el botón ONE PUSH AF se activan (con el indicador FOCUS encendido).

En BRC-Z700 o BRC-Z330, puede ajustar el enfoque manualmente si AF ASSIST está establecido en ON en el menú FOCUS. Para obtener más información, consulte el Manual de instrucciones de BRC-Z700 o BRC-Z330.

7 Botón ONE PUSH AF
Este botón se habilita cuando se selecciona MANUAL con el botón AUTO/MANUAL. Pulse este botón para realizar la función de enfoque automático directo.

8 Botón PRESET
Mantenga pulsado este botón y pulse uno de los botones GROUP/POSITION. Los ajustes de la cámara actuales se guardarán en la memoria de la cámara correspondiente al botón GROUP/POSITION pulsado.

9 Botón RESET
Mantenga pulsado este botón y pulse uno de los botones GROUP/POSITION. La memoria de la cámara correspondiente al botón GROUP/POSITION pulsado vuelve a las condiciones preajustadas en fábrica.
Cuando están conectadas múltiples cámaras con RS-232C/RS-422, mantenga pulsado este botón y pulse el botón POWER para ajustar las direcciones de la cámara.

10 Indicador GROUP

11 Botón GROUP
Mientras se mantiene pulsado este botón, el indicador GROUP se ilumina y el botón GROUP/POSITION del número de grupo que se está utilizando se ilumina en amarillo.*
El botón GROUP funciona únicamente para la conexión LAN.

* Cuando se ilumina el indicador superior situado junto al botón SHIFT, los botones GROUP/POSITION corresponden a los números de grupo del 1 al 8. Cuando se ilumina el indicador inferior situado junto al botón SHIFT, los botones GROUP/POSITION corresponden a los números de grupo del 9 al 16.

12 Botón BACK LIGHT
Pulse este botón para habilitar la función de compensación de contraluz de la cámara. Púlselo de nuevo para deshabilitar la función.

Mantenga pulsado el botón SHIFT y pulse este botón para habilitar la función de compensación de luz concentrada. Esta función ajusta la exposición en un nivel más oscuro si una parte del sujeto brilla intensamente.

Para deshabilitar la compensación de la luz concentrada, mantenga pulsado el botón SHIFT y pulse este botón de nuevo.

Notas

- Es posible que la función de compensación de contraluz o compensación de luz concentrada no funcione según la cámara y el modo de exposición de la cámara. Para obtener más información, consulte el Manual de instrucciones suministrado con la cámara.
- Los modos de exposición de compensación de contraluz y compensación de luz concentrada de BRC-H900 difieren del modo de exposición FULL AUTO. Los ajustes de compensación de contraluz y compensación de luz concentrada no pueden utilizarse al mismo tiempo.

13 Botón PAN-TILT RESET
Pulse este botón para reponer la posición de movimiento horizontal/vertical de la cámara en las condiciones iniciales.

14 Botón ONE PUSH AWB
Cuando se ha seleccionado el modo de balance de blancos ONE PUSH de la cámara, pulse este botón para realizar el ajuste directo del balance de blancos.

Nota

Mientras se lleva a cabo el ajuste directo del balance de blancos, las operaciones de la palanca de control (incluida la operación de parada) no funcionarán.

15 Indicador POSITION

16 Botón MENU
Pulse este botón durante un segundo aproximadamente para visualizar o quitar el menú de la cámara, o para volver al menú principal.

17 Palanca de control
La palanca de control se utiliza para las operaciones de movimiento horizontal/vertical y zoom. Seleccione la cámara que desee controlar utilizando los botones CAMERA y utilice la palanca de control.

Movimiento horizontal y vertical

Al inclinar la palanca de control a derecha y a izquierda, la cámara se mueve horizontalmente. Al inclinarla hacia adelante o hacia atrás, la cámara se mueve verticalmente.

La velocidad de movimiento horizontal/vertical cambia según el ángulo de inclinación.

Al soltar la palanca de control, el movimiento de la cámara se interrumpe.

Zoom

Al girar el disco situado en la parte superior de la palanca de control de izquierda a derecha, el sujeto se hace más grande (se acerca). Al girarlo de derecha a izquierda, el sujeto se hace más pequeño (se aleja).

Para volver a colocar la cámara en sentido frontal

Si pulsa el botón situado en la parte superior de la palanca de control durante uno o dos segundos, se restablecerán las operaciones de movimiento horizontal/vertical/zoom y la cámara volverá a colocarse en sentido frontal.

18 Botón e indicadores SHIFT

Si se pulsa el botón SHIFT, el indicador inferior se ilumina y los botones GROUP/POSITION pueden utilizarse en los números de grupo/posición del 9 al 16. Si suelta el botón SHIFT, el indicador superior se iluminará y los botones GROUP/POSITION podrán utilizarse en los números de grupo/posición del 1 al 8.

19 Botón SELECT

El número del grupo de cámaras puede modificarse pulsando el botón GROUP/POSITION mientras se pulsa este botón. Para seleccionar los números de los grupos de cámaras del 9 al 16, mantenga pulsado el botón SHIFT (el indicador inferior se ilumina).

El botón SELECT solo funciona con la conexión LAN.

20 Botón POWER

Pulse este botón para encender los botones CAMERA correspondientes al estado de las cámaras conectadas.

Amarillo: la alimentación de la cámara está activada.

Verde: la cámara está en el modo de espera.

Apagado: no hay ninguna cámara conectada.

Mantenga pulsado este botón y pulse el botón CAMERA 1 a 7 para encender/apagar la alimentación de la cámara correspondiente al botón pulsado.

21 Botones CAMERA

Pulse uno de los botones para seleccionar la cámara entre las conectadas. El botón CAMERA seleccionado se enciende en amarillo.

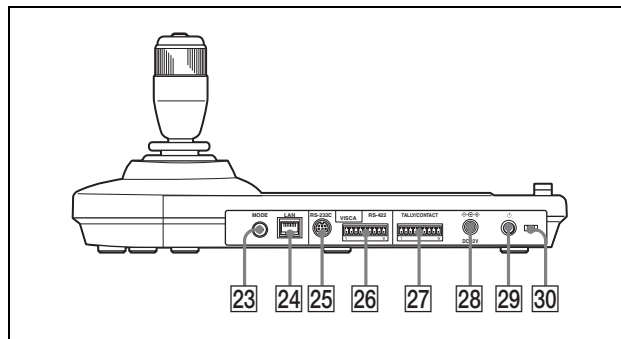
22 Botones GROUP/POSITION

Puede almacenar los diversos ajustes de la cámara como, por ejemplo, las posiciones de movimiento horizontal, vertical y zoom en la memoria de la

cámara correspondiente a cada botón GROUP/POSITION, y cargar los ajustes en la memoria.

Estos botones también se utilizan para seleccionar el número del grupo de cámaras cuando se realiza una conexión a través de una red LAN.

Parte trasera



23 Selector MODE

Seleccione la posición correspondiente a la cámara que desee conectar.

Posición del interruptor	Modo de la cámara
0	Seleccionado automáticamente (predeterminado)
1	No utilizado
2	No utilizado
3	No utilizado
4	No utilizado
5	No utilizado
6	No utilizado
7	BRC-Z700
8	BRC-Z330
9	BRC-H900

Nota

Utilice las posiciones de la 7 a la 9 cuando todas las cámaras conectadas sean del mismo modelo. En el resto de casos, utilice la posición 0.

24 Conector LAN (RJ-45 de 8 contactos)

Para conexiones LAN.

Conecte un LAN HUB (10BASE-T/100BASE-TX) utilizando un cable LAN (categoría 5 o superior).

Cuando se establece una conexión, el indicador verde se ilumina y parpadea durante la comunicación. Mientras esté conectado con 100BASE-TX, el indicador amarillo también se iluminará.

Notas

- Por motivos de seguridad, no conecte conectores para cableado de dispositivos periféricos que puedan transmitir una tensión excesiva a este puerto. Siga las instrucciones de este puerto.
- Cuando conecte el cable LAN de la unidad al dispositivo periférico, utilice un cable blindado para evitar errores de funcionamiento debido al ruido de la radiación.

25 Conector VISCA RS-232C

Se conecta al conector VISCA RS-232C IN de la cámara o a la unidad de multiplexación óptica.

26 Conector VISCA RS-422

Se conecta al conector VISCA RS-422 de la cámara o a la unidad de multiplexación óptica. La instalación de fábrica incluye una clavija de conexión RS-422.

27 Conector TALLY/CONTACT

Este conector se utiliza para la entrada de la luz indicadora o la salida de contacto. Seleccione la función de este conector mediante el interruptor DIP situado en la parte inferior de la unidad. Puede utilizarse la clavija de conector RS-422 instalada de fábrica.

28 Conector DC IN 12V

Conecte el adaptador de alimentación de CA suministrado.

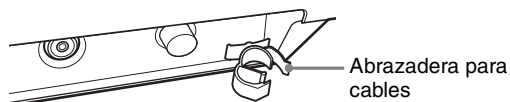
29 Interruptor  (alimentación)

Pulse este interruptor para encender/apagar esta unidad.

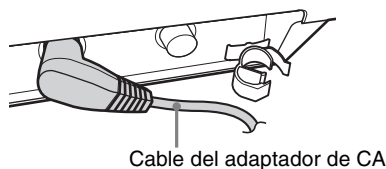
30 Abrazadera para cable

Fija el cable del adaptador de alimentación de CA.

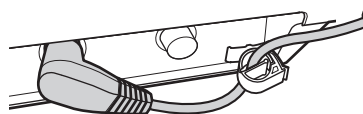
1. Retire el cierre de la abrazadera para cable.



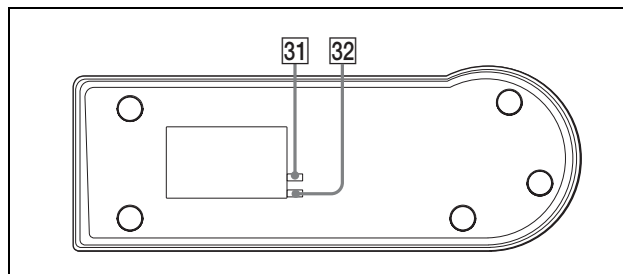
2. Conecte el adaptador de alimentación de CA incluido.



3. Pase el cable del adaptador de alimentación de CA por la abrazadera para cables, a continuación, coloque el cierre.



Parte inferior



Notas

- La dirección Mac se imprime en la parte inferior del controlador remoto IP.
- Ajuste los interruptores antes de activar la alimentación de esta unidad. De lo contrario, el ajuste no se implementará (excepto en los interruptores DIP 2 n.º 1 y 2).

31 Interruptor DIP 1

Interruptor 1: selector de conexión de serie/LAN

Selecciona el método de comunicación. Ajústelo en ON para la conexión de serie, o en OFF para la conexión LAN.

Interruptor 2: selector RS-232C/RS-422

Selecciona RS-232C o RS-422 cuando el interruptor DIP 1 n.º 1 está establecido en ON. Ajústelo en ON para RS-422, o en OFF para RS-232C.

Interruptor 3: selector de velocidad de transferencia de comunicación

Selecciona la velocidad de transferencia de comunicación para RS-232C/RS-422. Ajústelo en ON para 38.400 bps, o en OFF para 9.600 bps.

Interruptor 4, 5: interruptor TALLY/CONTACT

Selecciona la función del conector TALLY/CONTACT.

Puede seleccionar las siguientes funciones.

Interrup- tor 4	Interrup- tor 5	Modo
OFF	OFF	<p>Modo NORMAL TALLY: Las siguientes acciones se llevan a cabo con el número del conector TALLY/CONTACT únicamente cuando se reciben los comandos.</p> <ul style="list-style-type: none"> La cámara seleccionada pasa a la cámara que coincide con el número del comando del conector TALLY/CONTACT. <ul style="list-style-type: none"> Cuando el número de la cámara seleccionada coincide con el del comando del conector TALLY/CONTACT: La cámara no se cambia y puede seguir utilizándose. Cuando la cámara seleccionada no recibe su propio número del comando desde el conector TALLY/CONTACT: La cámara seleccionada pasa a la cámara cuyo número coincida con el del comando del conector TALLY/CONTACT. Si se reciben dos o más números desde el conector TALLY/CONTACT, se seleccionará la cámara con el número más pequeño. Puede utilizar la cámara seleccionada después de volver a poner el joystick en la posición neutral. (Si cambia de cámara y cambia el número del grupo de cámaras, el botón GROUP/POSITION se ilumina durante aproximadamente 1 segundo.) El botón CAMERA seleccionado parpadeará en rojo y en amarillo alternativamente. Si se reciben dos o más números desde el conector TALLY/CONTACT, los botones CAMERA no seleccionados se iluminarán en rojo. Puede seleccionar una cámara pulsando su botón CAMERA respectivo (iluminado en rojo). La luz indicadora de la cámara que recibe un comando desde el conector TALLY/CONTACT se ilumina.*

Interrup- tor 4	Interrup- tor 5	Modo
		<p>Complemento:</p> <ul style="list-style-type: none"> Cuando no hay comandos desde el conector TALLY/CONTACT, la luz indicadora de la cámara seleccionada se ilumina.* Si se detienen los comandos desde el conector TALLY/CONTACT, la cámara seleccionada no cambia. <p>* Si el interruptor 5 de 32 DIP 2 está en la posición ON, las luces TALLY de la cámara no se iluminarán.</p>
ON	OFF	<p>Modo ON AIR TALLY: Las siguientes acciones se llevan a cabo con el número del conector TALLY/CONTACT únicamente cuando se reciben los comandos.</p> <ul style="list-style-type: none"> El botón CAMERA correspondiente se ilumina en rojo. Se puede seleccionar una cámara arbitrariamente. Si selecciona una cámara con el botón CAMERA iluminado en rojo, pasará a parpadear en rojo y amarillo alternativamente. La luz indicadora de la cámara que recibe un comando desde el conector TALLY/CONTACT se ilumina.* <p>* Si el interruptor 5 de 32 DIP 2 está en la posición ON, las luces TALLY de la cámara no se iluminarán.</p>
OFF	ON	<p>Modo CONTACT: El número de cámara que selecciona la unidad se envía al dispositivo periférico conectado.</p>
ON	ON	<p>Modo CONTACT (TALLY): El número de cámara que selecciona la unidad se envía al dispositivo periférico conectado y la luz indicadora de la cámara seleccionada se ilumina.*</p> <p>* Si el interruptor 5 de 32 DIP 2 está en la posición ON, las luces TALLY de la cámara no se iluminarán.</p>

Interruptor 6: selector COMMAND

Cambia la señal del conector TALLY/CONTACT entre STD (método estándar) y EXPAND (método de expansión).

Ajústelo en ON para EXPAND, y en OFF para STD.

Este ajuste no se implementa en RS-232C/RS-422 (fijo como STD).

STD (método estándar)

- Cuando se trata el conector TALLY/CONTACT como entrada:
Cuando uno de los terminales del 1 al 7 se cortocircuita con respecto a GND, se acepta el número correspondiente.
(Se pueden aceptar simultáneamente dos o más números.)
- Cuando se trata el conector TALLY/CONTACT como salida:
Transmite al dispositivo externo conectando a tierra uno de los terminales del 1 al 7.

Sugerencia

Cuando utilice el número de cámara 8 o un número mayor, utilice EXPAND.

EXPAND (método de expansión)

- Cuando se trata el conector TALLY/CONTACT como entrada:
Trata los terminales del 1 al 7 como números binarios. Se acepta como número 1 cuando el terminal 1 está conectado a tierra y los terminales del 2 al 7 están abiertos.
- Cuando se trata el conector TALLY/CONTACT como salida:
Trata los terminales del 1 al 7 como números binarios, y transmite al dispositivo externo.
El número 1 se recibe cuando el terminal 1 se conecta a tierra y los terminales del 2 al 7 son altos.

Acerca del número de cámara que se envía/recibe del conector TALLY /CONTACT

La relación entre las 112 cámaras (a las que se asignan los números de cámara del 1 al 7 en cada uno de los números de grupos de cámaras del 1 al 16) y el número de cámara del conector TALLY/CONTACT es la siguiente.

Número de grupo de cámara	Número de cámara	Número de cámara del conector TALLY/CONTACT		
1	1	1		
	2	2		
	⋮	⋮		
	7	7		
	2	1	8	
		⋮	⋮	
		7	14	
⋮		⋮	⋮	
		16	1	106
			⋮	⋮
			7	112

Interruptor 7, 8: selector de función del botón LOCK

El bloqueo tiene las siguientes dos funciones.

- ① Bloqueo de enfoque y controles: no es posible utilizar los controles VALUE/R, BRIGHT/B y FOCUS ni el botón AUTO/MANUAL.
- ② Bloqueo de la palanca de control: no es posible utilizar la palanca de control (disco inclinado en la parte superior (zoom), botón arriba), el botón MENU ni el botón PAN-TILT RESET.
Puede seleccionar las funciones bloqueadas utilizando los siguientes ajustes.

Interruptor 7	Interruptor 8	Ajuste
OFF	OFF	Ajuste 1: cada vez que pulse el botón LOCK, la función de bloqueo cambia de la siguiente manera: “①” ↔ desbloqueado
ON	OFF	Ajuste 2: cada vez que pulse el botón LOCK, la función de bloqueo cambia de la siguiente manera: “②” ↔ desbloqueado
OFF	ON	Ajuste 3: cada vez que pulse el botón LOCK, la función de bloqueo cambia de la siguiente manera: “① y ②” ↔ desbloqueado
ON	ON	Ajuste 4: cada vez que pulse el botón LOCK, la función de bloqueo cambia de la siguiente manera: “①” → “②” → “① y ②” → desbloqueado → “①” → ...

32 Interruptor DIP 2

Interruptor 1: interruptor PANEL LIGHT

Activa o desactiva la iluminación del botón PANEL.
Ajústelo en ON (la luz de los botones GROUP/POSITION y CAMERA se ilumina en verde), o en OFF.
Este ajuste del interruptor es válido incluso si cambia el ajuste mientras la alimentación está conectada.

Interruptor 2: selector L/R DIRECTION

Puede cambiar la dirección de la palanca de control.
Ajústelo en ON para la dirección contraria, o en OFF para la dirección estándar.
Para la dirección estándar, la cámara está preajustada para orientarse hacia la derecha (izquierda) cuando la palanca de control se inclina hacia la derecha (izquierda). Para la dirección contraria, la cámara está preajustada para orientarse hacia la derecha (izquierda) cuando la palanca de control se inclina hacia la izquierda (derecha).

Este ajuste del interruptor es válido incluso si cambia el ajuste mientras la alimentación está conectada.

Interruptor 3: selector de función del control BRIGHT

Selecciona la función del control BRIGHT. Ajustelo en ON para los ajustes de IRIS y GAIN, o en OFF solo para el ajuste de IRIS.

Interruptor 4: interruptor de ajuste ALL POSITION

La función ALL POSITION le permite incluir todas las cámaras de los grupos de cámaras 15 y 16 en el mismo ajuste predeterminado al cargar el ajuste predeterminado en una única cámara del grupo 15 o 16. (Dado que el ajuste predefinido se realiza para 14 cámaras en secuencia, no se puede iniciar simultáneamente.)

Ajustelo en ON para activar esta función y en OFF para desactivarla.

Esta función solo funciona con la conexión de red.

Interruptor 5 a 7: interruptor de expansión

Ajustelo en OFF.

Complemento:

Si se pone el interruptor 5 en la posición ON se impide que la luz TALLY de la cámara se ilumine en modo NORMAL TALLY, ON AIR TALLY o CONTACT (TALLY).

Interruptor 8: interruptor de modo de actualización de ajuste

Ajustelo en ON para activar el modo de actualización de ajuste. Cuando se establece en ON, puede ajustar y cambiar la tabla de la cámara desde el software de configuración "RM-IP10 Setup Tool", así como consultar la versión de firmware de la unidad.

Conexiones

Esta sección se centra en los ejemplos de conexión de la cámara BRC-H900. Para conectar otras cámaras, consulte el Manual de instrucciones incluido con la cámara que desee conectar.

Seleccione la conexión IP, RS-232C o RS-422.* No puede utilizar el método de comunicación múltiple de forma simultánea.

* BRC-H900/Z330 conectada con BRBK-IP10, BRC-Z700 conectada con BRBK-IP7Z, SRG-300H, SRG-120DH (SRG-120DH no es compatible con la conexión RS-422). (A partir de enero de 2014)

Conexión de cámaras compatibles con conexión IP

Conexión IP de cámaras, controladores remotos IP y PC

- 1 Conecte los conectores LAN de las unidades y las cámaras compatibles con conexión IP utilizando el cable LAN.
Puede conectar hasta 112 cámaras y cinco controladores remotos IP en una misma red.

Nota

Cuando conecte el cable LAN de la unidad a un dispositivo periférico, utilice un cable blindado para evitar errores de funcionamiento debidos al ruido de la radiación.

- 2 Conecte el PC para el ajuste de IP en la misma red.
 - Utilice un cable LAN (categoría 5 o superior).
 - Conecte las cámaras, los controladores remotos IP y el PC utilizando un concentrador de conmutación disponible en el mercado (10BASE-T/100BASE-TX). Si utiliza una línea de pérdida de paquetes o retraso, podría producirse un fallo de funcionamiento. Utilice una red de gran calidad.
 - No mezcle 10BASE-T y 100BASE-TX en la red.
 - La dirección IP está establecida de fábrica en 192.168.0.10 para RM-IP10, y en 192.168.0.100 para BRBK-IP10/BRBK-IP7Z.
 - Cuando se apilan los concentradores de conmutación se producen retrasos en la red. Se

recomienda limitar el número de concentradores de conmutación apilados a dos.

- Cuando conecte los conectores LAN del controlador remoto IP y la cámara directamente sin utilizar ningún concentrador de conmutación, utilice un cable cruzado LAN.
- Se selecciona la cámara número 1 del grupo de cámaras número 1 y su dirección IP está establecida en 192.168.0.100 de fábrica.

Notas

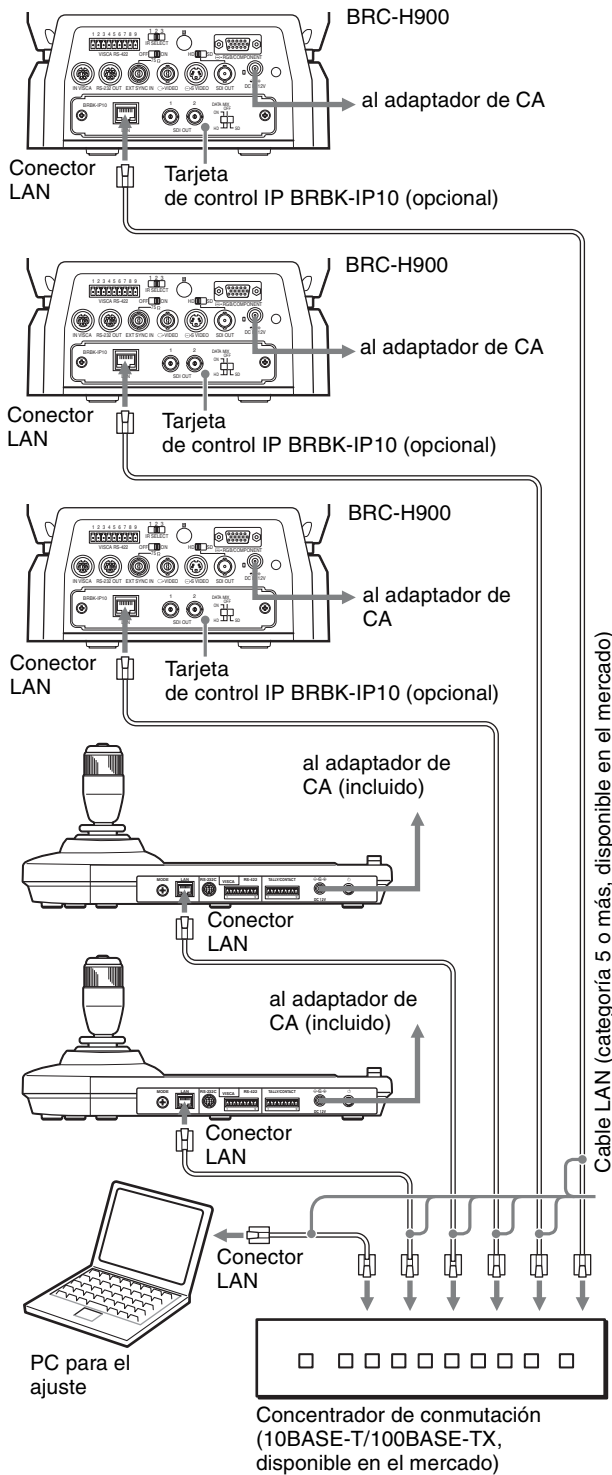
- No conecte más de 112 cámaras, cinco controladores remotos IP y un PC para el ajuste de IP, aunque controle una cámara ubicada en una red de un segmento diferente a través de un router. Si conecta más unidades o tipos de equipos de red diferentes, podrían producirse problemas, como retrasos o direcciones IP que no se establezcan debido a la duplicación de las direcciones IP.
- Si realiza el ajuste desde varios PC utilizando el software de configuración "RM-IP10 Setup Tool", es posible que el ajuste no se realice correctamente. Realice el ajuste desde un PC.
- Configure el PC de forma que solo la red que utilice esté habilitada.
- Las cámaras y los controladores remotos IP no pueden conectarse a la red pública.

- 3 Conecte la cámara y el controlador remoto IP a las salidas de CA utilizando los adaptadores de CA y los cables de alimentación de CA incluidos. La cámara se moverá de forma horizontal y vertical automáticamente y volverá a la posición almacenada en la posición 1 (acción de restablecimiento de movimiento horizontal/vertical).

Nota

Ajuste el interruptor DIP1 1 en OFF para la conexión IP (página 10).

Ejemplo de conexión



Ajustes predeterminados para la conexión IP

- 1 Ajuste el interruptor DIP 2 n.º 8 en ON para realizar los ajustes de las cámaras y los controladores remotos IP (modo de actualización de ajuste). A continuación, encienda la unidad pulsando el interruptor . Los botones GROUP/POSITION y CAMERA parpadearán en verde cuando la unidad esté en el modo de actualización de ajuste.

Notas

- Deje todas las cámaras y todos los controladores remotos IP encendidos mientras realiza el ajuste. No apague las cámaras ni los controladores remotos IP mientras realiza el ajuste.
- Cuando encienda la unidad, no toque la palanca de control hasta que los botones GROUP/POSITION y CAMERA comiencen a parpadear en verde (para detectar un punto de origen).
- Cuando encienda la unidad, no utilice la unidad hasta que los botones GROUP/POSITION y CAMERA comiencen a parpadear en verde.

Cuando utilice la señal del conector TALLY/CONTACT en el modo NORMAL TALLY, la cámara seleccionada puede modificarse a través de esta señal. Para evitarlo, elimine la conexión del conector TALLY/CONTACT o establezca el modo ON AIR TALLY.

- 2 Realice los siguientes ajustes desde el PC utilizando el software de configuración "RM-IP10 Setup Tool" del CD-ROM incluido. Para obtener más información sobre los ajustes, consulte el PDF del CD-ROM. (Para consultar el manual del CD-ROM, consulte "Uso del manual incluido en el CD-ROM" (página 3).)

- Establezca la dirección IP* y el nombre de la cámara**

Nota

No es posible modificar los ajustes hasta que no hayan transcurrido 35 segundos desde el apagado o el reinicio de la cámara para poder modificar los ajustes.

- Establezca la dirección IP* y el nombre del controlador remoto IP
- Asigne a cada cámara un número de cámara (botón CAMERA) y el número del grupo de cámaras (botón GROUP/POSITION) al que pertenezca el número de cámara (7 números de cámara en cada uno de los 16 números de grupos de cámaras, lo que hacen un total de hasta 112 cámaras). (Configuración de la tabla de la cámara)**

* Si hay un segmento diferente, conecte el PC a ese segmento y realice la configuración. Si no utiliza una puerta de enlace, establezca la "Gateway address" en 0.0.0.0.

**Para asignar una cámara de un segmento diferente, utilice la función Exportar de la "RM-IP10 Setup Tool".

- Cree un archivo csv denominado "Camera List" para cada segmento.
- Cree un archivo csv denominado "Camera Table" para el controlador remoto IP que desee asignar.
- Abra todos los archivos csv que creó con un editor de texto y, a continuación, añada la información requerida a "Camera Table" desde "Camera List".
- Importe el archivo "Camera Table" creado en el controlador remoto IP usando la función Importar.

"Unknown camera is assigned." se muestra en la "RM-IP10 Setup Tool" para los dispositivos con segmentos diferentes.

Después de ajustar la tabla de la cámara, asegúrese de que la relación entre la cámara, el número de la cámara y el número del grupo de cámaras correspondientes sea la correcta utilizando la palanca de control.* Si no es correcta, ajuste la tabla de la cámara utilizando el software de configuración "RM-IP10 Setup Tool".

* Cuando el controlador remoto IP se traslada a un segmento diferente, asegúrese de que cambie la "Gateway address".

Para seleccionar el número del grupo de cámaras

Pulse cualquier botón GROUP/POSITION mientras mantiene pulsado el botón SELECT. (Para seleccionar números del 9 al 16, seleccione el número del grupo de cámaras mientras mantiene pulsado el botón SHIFT.)

Para seleccionar el número de la cámara

Pulse cualquier botón CAMERA.

Nota

Los botones GROUP/POSITION y CAMERA parpadean y dejan de parpadear (hasta cuatro veces) mientras se actualizan la dirección IP, el nombre y la tabla de la cámara. No apague el controlador remoto IP durante al menos 30 segundos. En este estado, no utilice la unidad (especialmente la palanca de control, que estará detectando un punto de origen).

3 Una vez finalizados los ajustes, apague la cámara, el controlador remoto IP y el PC y, a continuación, ajuste el interruptor DIP 2 n.º 8 en OFF.

Sugerencia

Cuando la unidad esté en el modo de actualización de ajuste, puede consultar la versión del firmware de la unidad.

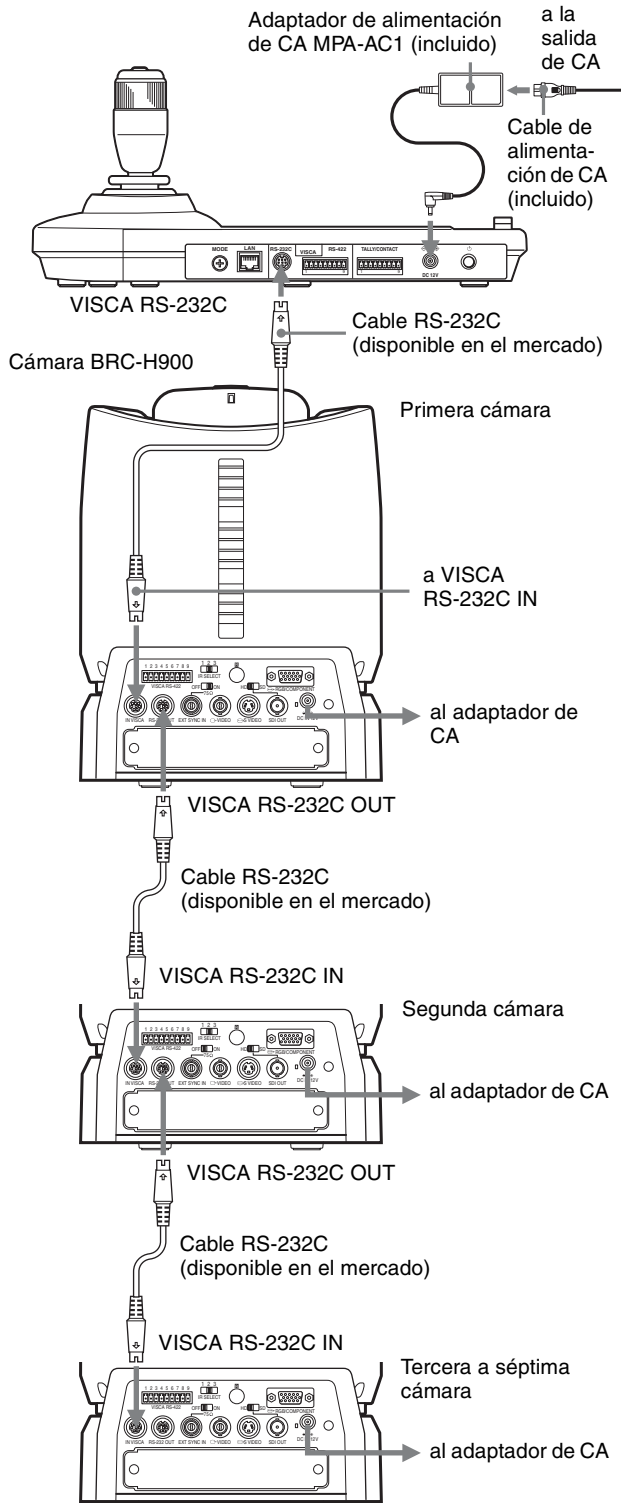
La versión del firmware puede consultarse con el botón cuando el botón GROUP/POSITION se ilumina en amarillo al mantener pulsado el botón LOCK.

Consulte RM-IP10 Setup Tool para obtener información detallada sobre el número de versión del firmware.

(También puede utilizar el botón LOCK para comprobar la versión del firmware en el modo de actualización de ajuste.)

Conexión de cámaras equipadas con el conector VISCA RS-232C

Las conexiones con cables VISCA RS-232C (de tipo cruzado) permiten controlar hasta siete cámaras con un único controlador remoto IP RM-IP10. (Los cables RS-232C deben utilizarse a una distancia máxima de 15 m (49,2 pies).)



Nota

Cuando realice la conexión con el conector VISCA RS-232C, asegúrese de que el interruptor DIP 1 n.º 1 esté establecido en ON, y de que el interruptor DIP 1 n.º 2 esté establecido en OFF (página 10).

Para asignar direcciones de cámara

Antes de utilizar la unidad, debe asignar las direcciones de cámara a las cámaras conectadas de la siguiente forma. A continuación, puede cambiar la cámara que desea controlar pulsando el botón CAMERA correspondiente.

- 1 Active la alimentación de todas las cámaras conectadas y esta unidad.
- 2 Mantenga pulsado el botón RESET y pulse el botón POWER de esta unidad. La unidad reconoce las cámaras conectadas y les asigna automáticamente direcciones de cámara de 1 a 7 según el orden de conexión.
- 3 Pulse el botón POWER de esta unidad y compruebe que los botones CAMERA estén iluminados. El número de los botones CAMERA iluminados indica cuántas cámaras tienen direcciones asignadas. Ahora puede cambiar a la cámara que desea controlar pulsando el botón CAMERA.

Conexión de cámaras equipadas con el conector VISCA RS-422

La conexión a través de conectores VISCA RS-422 permite controlar varias cámaras. Esto permite la conexión a una distancia de hasta 1.200 m (3.937 pies).

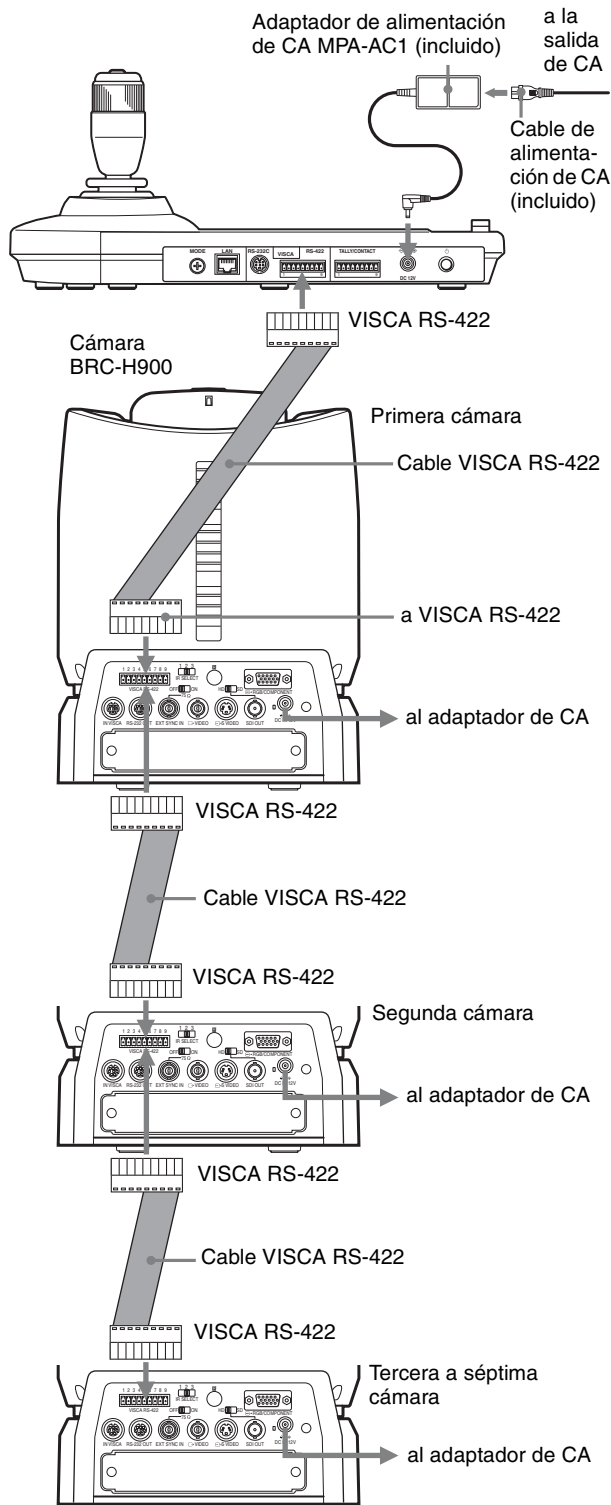
Prepare el cable de conexión utilizando la clavija de conexión RS-422 incluida con esta unidad.

Para utilizar el cable, consulte las asignaciones de contactos del conector VISCA RS-422 (página 26).

Para utilizar las clavijas de conexión RS-422, consulte página 27.

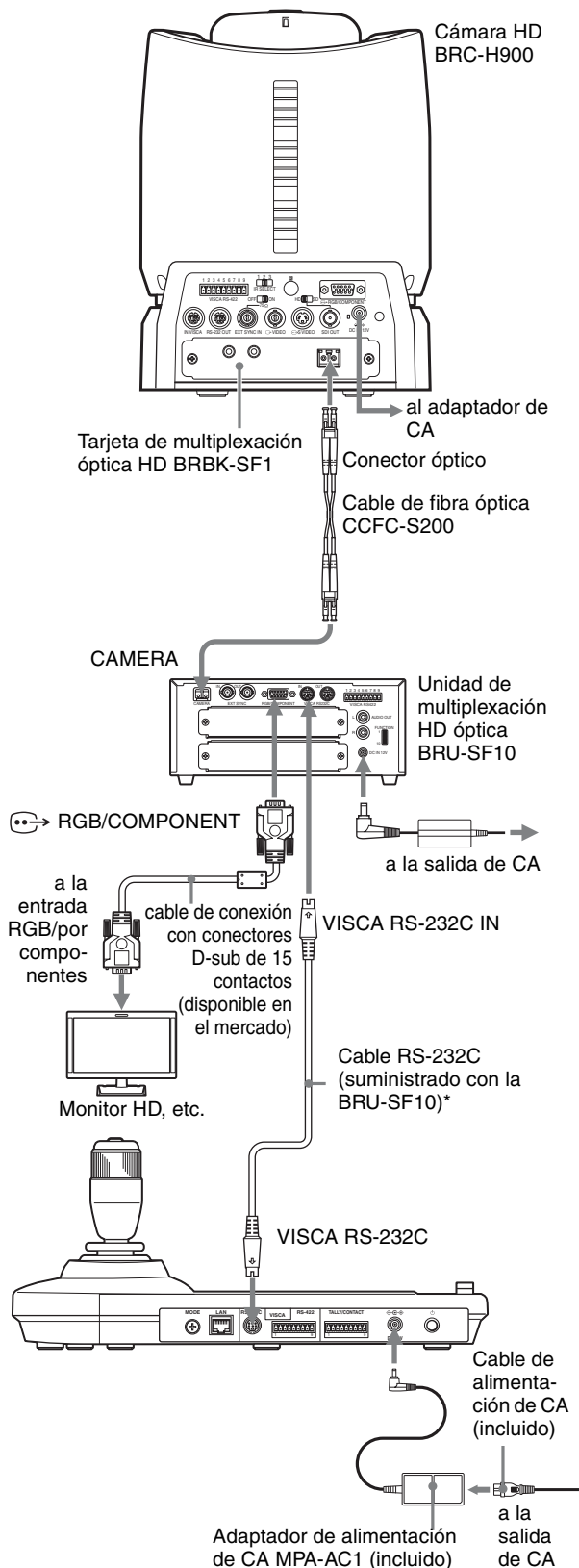
Notas

- Cuando realice la conexión con el conector VISCA RS-422, asegúrese de que el interruptor DIP 1 n.º 1 esté establecido en ON, y de que el interruptor DIP 1 n.º 2 esté establecido en ON (página 10).
- Cuando se realizan las conexiones que utilizan los conectores VISCA RS-422, la conexión de VISCA RS-232C no está disponible.

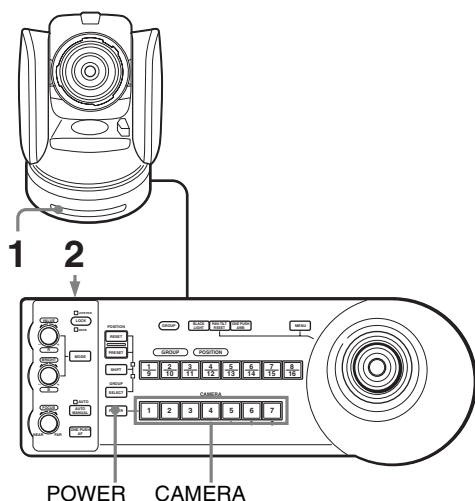



Conexión de la unidad de multiplexación óptica BRU-SF10

Puede controlar la cámara utilizando esta unidad a través de la unidad de multiplexación óptica BRU-SF10 (no incluida).



Encendido de la alimentación



- 1** Conecte la cámara a una salida de CA.
La alimentación se activa y el indicador luminoso POWER se enciende.
La cámara realizará automáticamente el movimiento horizontal y vertical y se repondrá en la posición almacenada en POSITION 1 (acción de reposición de movimiento horizontal/vertical).
- 2** Pulse el interruptor  en la unidad para encenderla. Cuando se enciende la unidad, los botones y los indicadores parpadean de la siguiente forma: Amarillo (1 segundo) → Verde (1 segundo) → Rojo (1 segundo) → El botón GROUP/POSITION que se seleccionó cuando se apagó la unidad por última vez (con el indicador superior o inferior situado junto al botón SHIFT y el indicador GROUP) y el botón CAMERA (2 segundos)
A continuación, se iluminará el botón CAMERA que representa a la última cámara cuya alimentación se había desactivado. (El botón CAMERA 1 se ilumina de forma predeterminada.)
Al realizar la conexión a través de una red LAN, la unidad se inicia con el último grupo de cámaras seleccionado.
- 3** Encienda los dispositivos periféricos.

Notas

- Asegúrese de encender la alimentación de la cámara antes de encender la alimentación de esta unidad. De lo contrario, la unidad no podrá reconocer la cámara conectada.

- No toque la palanca de control cuando encienda la alimentación de la unidad. Si lo hace, esto podría afectar a la confirmación del origen.

Para encender/apagar la cámara utilizando esta unidad

Siempre que la cámara esté conectada a una toma de CA, podrá encender o apagar la cámara con el botón POWER de esta unidad.

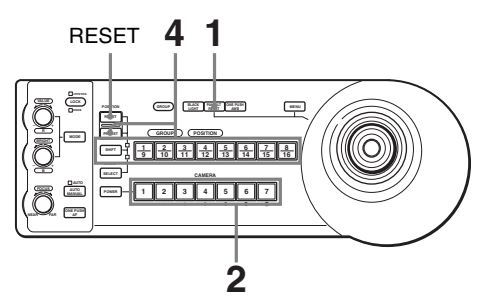
Mientras se mantiene pulsado el botón POWER, pulse el botón CAMERA correspondiente a la cámara cuya alimentación desee encender/apagar.

Cuando apaga la cámara con esta unidad, se apaga el indicador luminoso POWER y se enciende el indicador luminoso STANDBY de la cámara.

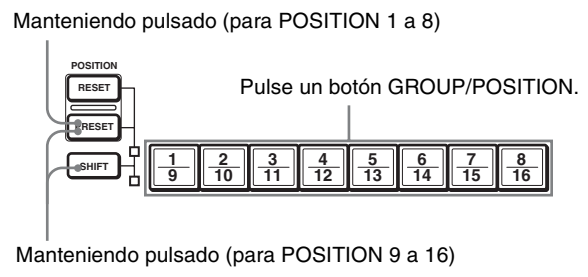
Almacenamiento de los ajustes de la cámara en la memoria

– Función de preajuste

Con la ayuda de esta unidad puede almacenar en la memoria de la cámara hasta dieciséis combinaciones de ajustes (dieciséis posiciones), incluyendo posición de cámara, zoom, enfoque y contraluz.



- 1** Pulse el botón PAN-TILT RESET para reponer la posición de movimiento horizontal/vertical.
 - 2** Pulse el botón CAMERA para seleccionar la cámara cuyos ajustes desee preajustar.
- Para cambiar el número del grupo de cámaras (para conexión IP)**
 Pulse cualquier botón GROUP/POSITION mientras mantiene pulsado el botón SELECT. (Para seleccionar números del 9 al 16, seleccione el número del grupo de cámaras mientras mantiene pulsado el botón SHIFT.)
- 3** Ajuste la posición, zoom, enfoque y contraluz de la cámara.
 - 4** Mientras mantiene pulsado el botón PRESET (para POSITION 1 a 8) o los botones SHIFT y PRESET (para POSITION 9 a 16), pulse el botón GROUP/POSITION en el que desee almacenar los ajustes.



Los ajustes se almacenan en la memoria de la cámara.

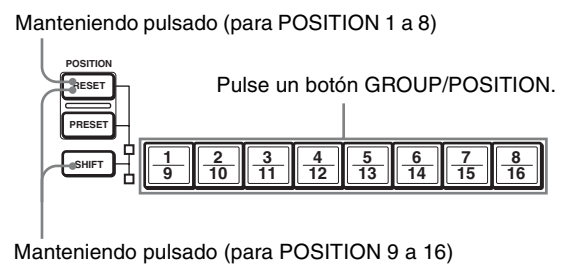
El botón pulsado parpadea durante el almacenamiento. El parpadeo se detiene al terminar el almacenamiento.
 Le recomendamos que compruebe los ajustes almacenados reactivando los valores predeterminados.

Para reactivar los ajustes almacenados

Pulse el botón GROUP/POSITION en el que haya almacenado los ajustes.
 Para POSITION 9 a 16, mantenga pulsado el botón SHIFT y, a continuación, pulse el botón GROUP/POSITION.

Para cancelar la memoria preajustada

Mientras mantiene pulsado el botón RESET (para POSITION 1 a 8) o los botones SHIFT y RESET (para POSITION 9 a 16), pulse el botón GROUP/POSITION donde estén los ajustes que desee cancelar.



El botón pulsado parpadea durante la cancelación de los ajustes. El parpadeo se detiene cuando han sido cancelados los ajustes.

Notas

- Al encenderse la alimentación, la cámara empieza con los ajustes almacenados en POSITION 1.
- Si desea conservar las posiciones anteriores de movimiento horizontal y vertical al apagar y volver a encender la alimentación, almacene esas posiciones en POSITION 1.
- Cuando almacene o cancele los ajustes en una POSITION, no podrá activar, almacenar o cancelar los ajustes de otra POSITION.

Ajuste de la velocidad del movimiento de la cámara a una posición predeterminada*

* La velocidad de movimiento se almacena en la memoria interna de la cámara. BRC-H900, BRC-Z700 y BRC-Z330 son compatibles con esta función.

Usted podrá seleccionar la velocidad de movimiento horizontal/vertical cuando la cámara se mueva a una posición predeterminada.

- 1 Pulse el botón CAMERA para seleccionar la cámara cuya velocidad quiera ajustar.

Para cambiar el número del grupo de cámaras (para conexión IP)

Pulse cualquier botón GROUP/POSITION mientras mantiene pulsado el botón SELECT. (Para seleccionar números del 9 al 16, seleccione el número del grupo de cámaras mientras mantiene pulsado el botón SHIFT.)

- 2 Pulse el botón GROUP/POSITION para el que quiera ajustar la velocidad durante más de un segundo.
Todos los botones CAMERA 1 a 7 parpadearán.

- 3 Pulse uno de los botones CAMERA para seleccionar la velocidad.

Botón CAMERA	Velocidad de movimiento horizontal y vertical	
	BRC-Z700, BRC-H900	BRC-Z330
1	1 grado/segundo	1,3 grados/segundo
2	2,2 grados/segundo	3,4 grados/segundo
3	4,8 grados/segundo	5,4 grados/segundo
4	11 grados/segundo	11,6 grados/segundo
5	23,3 grados/segundo	23,9 grados/segundo
6	43 grados/segundo	43,4 grados/segundo
7	60 grados/segundo (predeterminado)	60 grados/segundo (predeterminado)

Ahora la cámara se moverá a la posición predeterminada en el botón GROUP/POSITION pulsado a la velocidad seleccionada.

Para establecer la velocidad de movimiento de la cámara a una posición preajustada entre 9 y 16

Para ajustar la velocidad de movimiento de la cámara a una posición preajustada entre 9 y 16, mantenga pulsado el botón SHIFT y pulse el botón GROUP/POSITION correspondiente.

Uso de la función almacenada en la memoria del RM-IP10

La siguiente función para las operaciones de movimiento horizontal/vertical con el RM-IP10 está almacenada en la memoria de esta unidad.

Para poner un límite en la velocidad máxima del movimiento horizontal/vertical

Puede limitar la velocidad del movimiento horizontal/vertical obtenida cuando inclina la palanca de control con el ángulo máximo.

- Mantenga pulsado el botón PAN-TILT RESET durante más de un segundo mientras pulsa el botón SHIFT.
Todos los botones 1 a 7 de CAMERA parpadean.
- Pulse el botón CAMERA correspondiente a la velocidad que desea establecer, como se muestra en la tabla de abajo.


Botón CAMERA	Velocidad máxima del movimiento horizontal/vertical	
	BRC-Z700, BRC-H900	BRC-Z330
1	3,5 grados/segundo	4,4 grados/segundo
2	6,4 grados/segundo	6,7 grados/segundo
3	11 grados/segundo	11,6 grados/segundo
4	18,3 grados/segundo	18,6 grados/segundo
5	29 grados/segundo	29,2 grados/segundo
6	43 grados/segundo	43,4 grados/segundo
7	60 grados/segundo	60 grados/segundo

Solo parpadea el botón CAMERA que usted pulsa, y se establece la velocidad máxima del movimiento horizontal/vertical correspondiente.

Nota

Si usa otro RM-IP10 o conecta otra cámara a esta unidad, vuelva a poner un límite de velocidad máxima del movimiento horizontal/vertical.

Para volver a los ajustes de fábrica

- Encienda la unidad mientras mantiene pulsado los botones RESET y SELECT.
Cuando se enciende la unidad, los botones y los indicadores parpadean de la siguiente forma: Amarillo (1 segundo) → Verde (1 segundo) → Rojo (1 segundo) → El botón GROUP/POSITION que se seleccionó cuando se apagó la unidad por última vez (con el indicador superior o inferior situado junto al botón SHIFT y el indicador GROUP) y el botón CAMERA (2 segundos)
- Cuando los botones GROUP/POSITION y CAMERA parpadean en verde, suelte los botones RESET y SELECT y, a continuación, apague la unidad pulsando el botón .
La próxima vez que se encienda la unidad, se iniciará con los ajustes de fábrica.

Ajustes de fábrica

- Dirección IP del controlador remoto IP: 192.168.0.10
- Máscara de subred del controlador remoto IP: 255.255.255.0
- Puerta de enlace predeterminada del controlador remoto IP: 0.0.0.0
- Nombre del controlador remoto IP: CTL1
- La dirección IP de la cámara 192.168.0.100 se asigna a la cámara número 1 del grupo de cámaras número 1. No se asigna ninguna otra dirección IP a ningún otro número de cámara o número de grupo de cámaras.
- La unidad se inicia con la cámara número 1 del grupo de cámaras número 1 seleccionado.
- Botón LOCK: la función de bloqueo no está activada.

Solución de problemas

Antes de llevar la cámara a reparar, compruebe la siguiente orientación para resolver el problema. Si el problema no se puede solucionar, consulte con su distribuidor de Sony.

Síntoma	Causa	Remedio
La alimentación de la cámara no se activa.	El adaptador de alimentación de CA suministrado no está conectado firmemente al conector DC IN 12 V.	Inserte el cable de alimentación firmemente y hasta el fondo.
	El cable de alimentación de CA no está insertado firmemente en el adaptador de alimentación de CA ni en la toma de CA.	Inserte el cable de alimentación firmemente y hasta el fondo.
La cámara no funciona con la unidad.	El ajuste de comunicación no es correcto.	Seleccione el ajuste correcto con el interruptor DIP situado en la parte inferior de la unidad (página 10). Seleccione una de las conexiones LAN, RS-232C o RS-422.
	El ajuste de la velocidad de transferencia de comunicación de la cámara y la unidad no coincide. (Cuando se conecta mediante RS-232C/RS-422.)	Seleccione la velocidad de transferencia de comunicación, 9.600 bps o 38.400 bps, con el interruptor DIP de la unidad (página 10) seleccionada en la cámara.
	La conexión mediante el uso de conectores VISCA RS-422 no se ha realizado correctamente. (Cuando se conecta mediante RS-422.)	Compruebe que la conexión de los conectores VISCA RS-422 se haya realizado correctamente, y que el cable RS-422 esté correctamente conectado.
La unidad no funciona en absoluto.	—	Desenchufe la clavija del cable de alimentación de la toma de CA y luego vuelva a insertarla transcurridos unos segundos.
El ajuste del controlador remoto IP no puede modificarse desde el software de configuración "RM-IP10 Setup Tool".	El controlador remoto IP no está establecido en el modo de actualización de ajuste.	Establezca el controlador remoto IP en el modo de actualización de ajuste utilizando el interruptor DIP situado en la parte inferior de la unidad (página 10).
Los botones GROUP/POSITION y CAMERA parpadean en verde.	El controlador remoto IP está establecido en el modo de actualización de ajuste.	Cancele el modo de actualización de ajuste utilizando el interruptor DIP situado en la parte inferior de la unidad (página 10).
Los indicadores KNOB/JOYSTICK no se encienden, o el orden de encendido es diferente.	El ajuste de la función del botón LOCK no es correcto.	Compruebe el ajuste del interruptor DIP situado en la parte inferior de la unidad (página 10).
La palanca de control y los botones PAN TILT y MENU no funcionan.	La función LOCK está activada.	Cancele la función LOCK pulsando el botón LOCK.
Los botones GROUP/POSITION y SELECT no funcionan.	No está utilizando la conexión IP.	Estos botones funcionan únicamente con la conexión IP.
La cámara no puede controlarse desde el controlador remoto IP cuando están conectados entre ellas directamente.	No está utilizando un cable cruzado LAN.	Utilice un cable cruzado LAN cuando realice una conexión LAN de extremo a extremo.

Especificaciones

Conectores de entrada/salida

Entrada/salida de control

VISCA RS-232C OUT: tipo Mini DIN de 8 contactos
VISCA RS-422: tipo de 9 contactos
TALLY IN/CONTACT OUT: tipo de 9 contactos
LAN: RJ-45 (8 contactos), 10BASE-T/100BASE-TX con detección automática

Formato de la señal de control (para la comunicación)

RS-232C/RS-422
9.600 bps/38.400 bps
Datos: 8 bits
Bit de parada: 1

Conector de alimentación

JEITA tipo 4 (DC IN 12V)

Generalidades

Tensión de entrada

12 V CC (10,8 a 13,2 V CC)

Consumo de corriente

0,3 A máx. (a 12 V CC), 3,6 W

Temperatura de funcionamiento

0 °C a 40 °C (32 °F a 104 °F)

Temperatura de almacenamiento

-20 °C a +60 °C (-4 °F a 140 °F)

Dimensiones

391,3 mm × 165 mm × 145,9 mm
(15 1/2 pulgadas × 6 1/2 pulgadas ×
5 3/4 pulgadas) (ancho/alto/fondo)

Peso

Aprox. 950 g (2 lb 15 oz)

Accesorios suministrados

Adaptador de alimentación de CA MPA-AC1 (Sony) (1)

Cable de alimentación de CA (1)

CD-ROM (1)

Clavija de conexión RS-422 (incluida en la unidad) (2)

Manual de instrucciones (1)

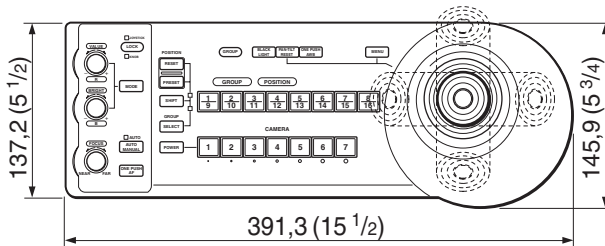
El diseño y las especificaciones pueden modificarse sin previo aviso.

Notas

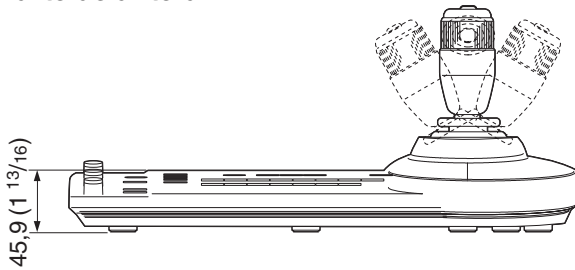
- Verifique siempre que esta unidad funciona correctamente antes de utilizarlo. SONY NO SE HACE RESPONSABLE POR DAÑOS DE NINGÚN TIPO, INCLUYENDO PERO NO LIMITADO A LA COMPENSACIÓN O PAGO POR LA PÉRDIDA DE GANANCIAS PRESENTES O FUTURAS DEBIDO AL FALLO DE ESTA UNIDAD, YA SEA DURANTE LA VIGENCIA DE LA GARANTÍA O DESPUÉS DEL VENCIMIENTO DE LA GARANTÍA NI POR CUALQUIER OTRA RAZÓN.
- SONY NO SE HACE RESPONSABLE POR RECLAMACIONES DE NINGÚN TIPO REALIZADAS POR USUARIOS DE ESTA UNIDAD O POR TERCEROS.
- SONY NO SE HACE RESPONSABLE DE LA FINALIZACIÓN NI DE LA INTERRUPCIÓN, POR LA CIRCUNSTANCIA QUE FUERA, DE CUALQUIER SERVICIO RELACIONADO CON ESTA UNIDAD.

Dimensiones

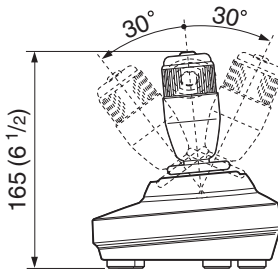
Parte superior



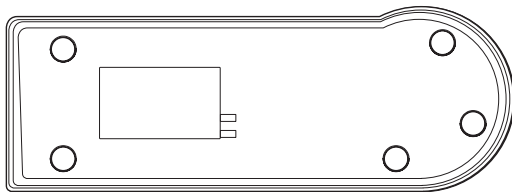
Parte delantera



Lateral



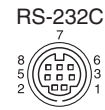
Parte inferior



Unidad: mm (pulgadas)

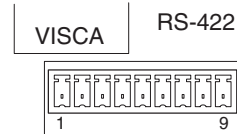
Asignaciones de contactos

Conector de salida VISCA RS-232C (mini DIN de 8 contactos, hembra)



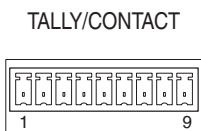
Número de contacto	Función
1	Sin conexión
2	Sin conexión
3	TXD IN
4	GND
5	RXD IN
6	GND
7	Sin conexión
8	Sin conexión

Conector VISCA RS-422 (clavija de conexión, 9 contactos)



Número de contacto	Función
1	Sin conexión
2	Sin conexión
3	Sin conexión
4	Sin conexión
5	GND
6	RXD IN-
7	RXD IN+
8	TXD IN-
9	TXD IN+

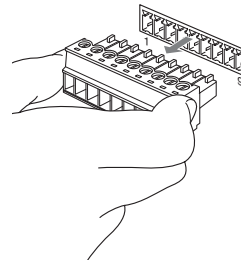
Conector TALLY/CONTACT (clavija de conexión, 9 contactos)



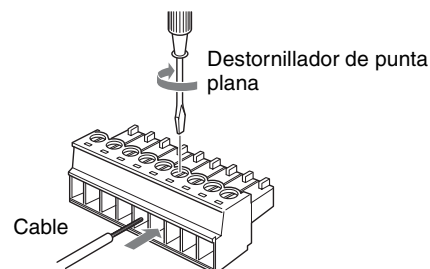
Número de contacto	Función
1	CAMERA1
2	CAMERA2
3	CAMERA3
4	CAMERA4
5	CAMERA5
6	CAMERA6
7	CAMERA7
8	GND
9	GND

Para usar la clavija de conexión VISCA RS-422

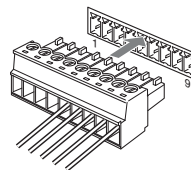
- 1 Sujete ambos extremos de la clavija de conexión VISCA RS-422 y tire de ella como se muestra en la ilustración.



- 2 Inserte un cable (AWG número 28 a 18) en la entrada de cable deseada de la clavija, y apriete el tornillo correspondiente a dicho cable mediante un destornillador de punta plana.



- 3 Inserte la clavija de conexión VISCA RS-422 en el conector VISCA RS-422.

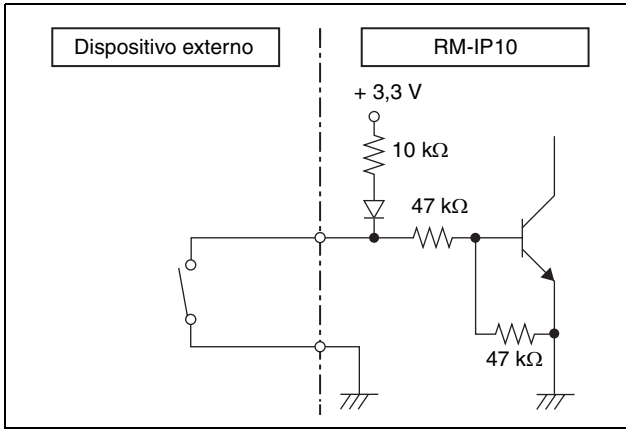


Notas

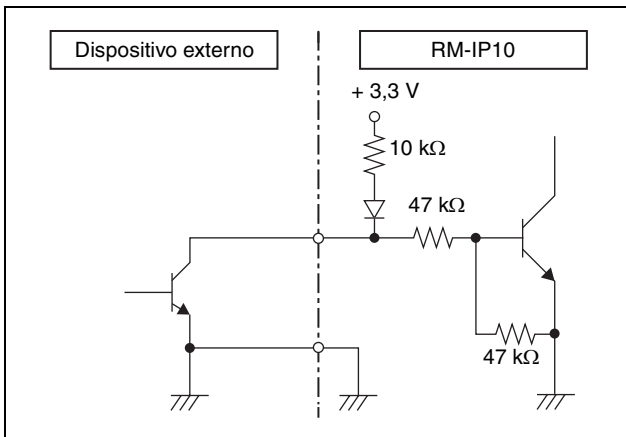
- Para estabilizar el nivel de tensión de la señal, conecte ambos extremos a GND.
- La distancia máxima de conexión con la conexión VISCA RS-422 es aproximadamente de 1.200 m (3.937 pies).

Conexión de ejemplo del conector TALLY/CONTACT para recibir entrada

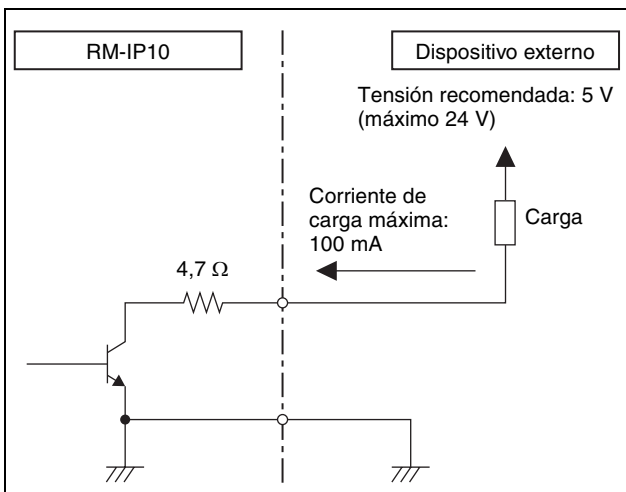
Interruptor o conexión de relé



Conexión de la toma de corriente abierta



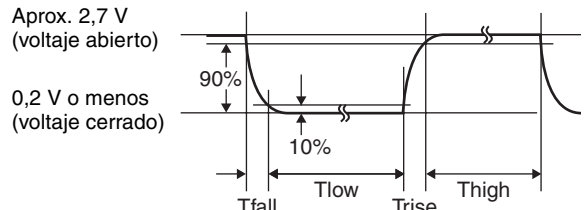
Conexión de ejemplo del conector TALLY/CONTACT para salida



ADVERTENCIA

Si se aplica una corriente de entrada o una tensión inversa que se encuentre por encima del valor nominal del conector TALLY/CONTACT, podría provocarse un mal funcionamiento, humo o fuego.

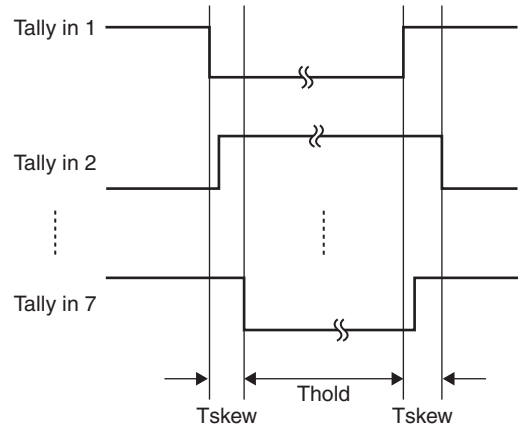
Forma de onda de entrada del conector TALLY/CONTACT



Tfall, Trise: en 5 ms

Tlow, Thigh: 33 ms o más

En modo de ampliación también se puede aplicar lo siguiente:



Tskew: en 0,5 ms

Thold: 33 ms o más

Licencia

Este software es parcialmente compatible con uIP de componentes. Por este motivo, son de aplicación las siguientes condiciones de licencia.

Copyright (c) 2001-2006, Adam Dunkels and the Swedish Institute of Computer Science All rights reserved.

Redistribution and use in source and binary forms, with or without modification, are permitted provided that the following conditions are met:

1. Redistributions of source code must retain the above copyright notice, this list of conditions and the following disclaimer.
2. Redistributions in binary form must reproduce the above copyright notice, this list of conditions and the following disclaimer in the documentation and/or other materials provided with the distribution.
3. The name of the author may not be used to endorse or promote products derived from this software without specific prior written permission.

THIS SOFTWARE IS PROVIDED BY THE AUTHOR `AS IS' AND ANY EXPRESS OR IMPLIED WARRANTIES, INCLUDING, BUT NOT LIMITED TO, THE IMPLIED WARRANTIES OF MERCHANTABILITY AND FITNESS FOR A PARTICULAR PURPOSE ARE DISCLAIMED. IN NO EVENT SHALL THE AUTHOR BE LIABLE FOR ANY DIRECT, INDIRECT, INCIDENTAL, SPECIAL, EXEMPLARY, OR CONSEQUENTIAL DAMAGES (INCLUDING, BUT NOT LIMITED TO, PROCUREMENT OF SUBSTITUTE GOODS OR SERVICES; LOSS OF USE, DATA, OR PROFITS; OR BUSINESS INTERRUPTION) HOWEVER CAUSED AND ON ANY THEORY OF LIABILITY, WHETHER IN CONTRACT, STRICT LIABILITY, OR TORT (INCLUDING NEGLIGENCE OR OTHERWISE) ARISING IN ANY WAY OUT OF THE USE OF THIS SOFTWARE, EVEN IF ADVISED OF THE POSSIBILITY OF SUCH DAMAGE.

For the customers in the U.S.A.

SONY LIMITED WARRANTY - Please visit <http://www.sony.com/psa/warranty> for important information and complete terms and conditions of Sony's limited warranty applicable to this product.

For the customers in Canada

SONY LIMITED WARRANTY - Please visit <http://www.sonybiz.ca/solutions/Support.do> for important information and complete terms and conditions of Sony's limited warranty applicable to this product.

For the customers in Europe

Sony Professional Solutions Europe - Standard Warranty and Exceptions on Standard Warranty. Please visit <http://www.pro.sony.eu/warranty> for important information and complete terms and conditions.

For the customers in Korea

SONY LIMITED WARRANTY - Please visit <http://bpeng.sony.co.kr/handler/BPAS-Start> for important information and complete terms and conditions of Sony's limited warranty applicable to this product.

Pour les clients au Canada

GARANTIE LIMITÉE DE SONY - Rendez-vous sur <http://www.sonybizca/solutions/Support.do> pour obtenir les informations importantes et l'ensemble des termes et conditions de la garantie limitée de Sony applicable à ce produit.