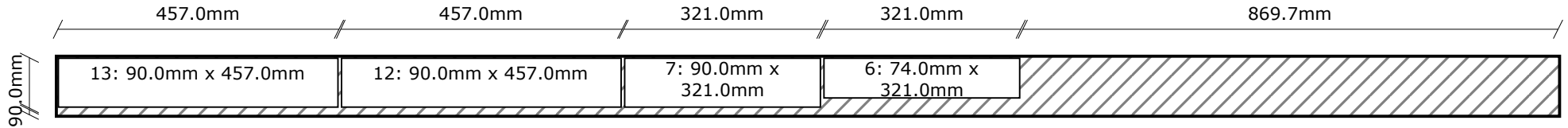


# Parts List

Part #	Sub-Assembly	Description	Copies	Thick	Width	Length	Material Type	Material Name	Can Rotate	Banding	<Info >	Diagram #s
1	TOP DRAWER BOTTOM	1.8	1	6.0mm	333.0mm	451.0mm	Sheet Good	Cabinet Birch	Yes	None		C1
2	UPPER DRAWER T BOTTOM	2.8	1	6.0mm	333.0mm	451.0mm	Sheet Good	Cabinet Birch	Yes	None		C1
3	UPPER DRAWER B BOTTOM	3.8	1	6.0mm	333.0mm	451.0mm	Sheet Good	Cabinet Birch	Yes	None		C1
4	UPPER DRAWER T FRONT	2.4	1	12.0mm	152.3mm	320.0mm	Sheet Good	ApplePlyDrawer6	No	None		B1
5	UPPER DRAWER B FRONT	3.4	1	12.0mm	152.3mm	320.0mm	Sheet Good	ApplePlyDrawer6	No	None		B1
6	TOP DRAWER BACK (1)	1.7	1	12.0mm	74.0mm	321.0mm	Sheet Good	ApplePlyDrawer4	No	None		A1
7	TOP DRAWER FRONT	1.4	1	12.0mm	90.0mm	321.0mm	Sheet Good	ApplePlyDrawer4	No	None		A1
8	UPPER DRAWER T BACK (1)	2.7	1	12.0mm	136.3mm	321.0mm	Sheet Good	ApplePlyDrawer6	No	None		B1
9	UPPER DRAWER B BACK	3.7	1	12.0mm	136.3mm	321.0mm	Sheet Good	ApplePlyDrawer6	No	None		B1
10	BOTTOM DRAWER BACK	4.7	1	12.0mm	130.2mm	321.0mm	Sheet Good	ApplePlyDrawer6	No	None		B1
11	BOTTOM DRAWER FRONT	4.5	1	12.0mm	152.3mm	321.0mm	Sheet Good	ApplePlyDrawer6	No	None		B1
12	TOP DRAWER LEFT SIDE	1.2	1	12.0mm	90.0mm	457.0mm	Sheet Good	ApplePlyDrawer4	No	None		A1
13	TOP DRAWER RIGHT SIDE	1.3	1	12.0mm	90.0mm	457.0mm	Sheet Good	ApplePlyDrawer4	No	None		A1
14	UPPER DRAWER T LEFT SIDE	2.2	1	12.0mm	152.3mm	457.0mm	Sheet Good	ApplePlyDrawer6	No	None		B2
15	UPPER DRAWER T RIGHT SIDE	2.3	1	12.0mm	152.3mm	457.0mm	Sheet Good	ApplePlyDrawer6	No	None		B2
16	UPPER DRAWER B Right SIDE	3.2	1	12.0mm	152.3mm	457.0mm	Sheet Good	ApplePlyDrawer6	No	None		B2
17	UPPER DRAWER B LEFT SIDE	3.2	1	12.0mm	152.3mm	457.0mm	Sheet Good	ApplePlyDrawer6	No	None		B2
18	BOTTOM DRAWER LEFT SIDE	4.2	1	12.0mm	152.3mm	457.0mm	Sheet Good	ApplePlyDrawer6	No	None		B2
19	BOTTOM DRAWER RIGHT SIDE	4.4	1	12.0mm	152.3mm	457.0mm	Sheet Good	ApplePlyDrawer6	No	None		B1
20	TOP DRAWER FACE	1.6	1	18.0mm	102.0mm	364.4mm	Sheet Good	Cabinet Birch	Yes	None		D1
21	UPPER DRAWER T FACE	2.6	1	18.0mm	168.0mm	364.4mm	Sheet Good	Cabinet Birch	Yes	None		D1
22	UPPER DRAWER B FACE	3.6	1	18.0mm	168.0mm	364.4mm	Sheet Good	Cabinet Birch	Yes	None		D1
23	BOTTOM DRAWER FACE	4.6	1	18.0mm	274.0mm	364.4mm	Sheet Good	Cabinet Birch	Yes	None		D1
24	FACEFRAME	5.6	1	18.0mm	26.5mm	370.4mm	Sheet Good	Cabinet Birch	No	None		D1
25	FACEFRAME (1)	5.7	1	18.0mm	26.5mm	370.4mm	Sheet Good	Cabinet Birch	No	None		D1
26	CABINET BOTTOM	5.3	1	18.0mm	546.0mm	405.3mm	Sheet Good	Cabinet Birch	Yes	None		D2
27	CABINET TOP	5.4	1	18.0mm	546.0mm	405.3mm	Sheet Good	Cabinet Birch	Yes	None		D2
28	BOTTOM DRAWER BOTTOM	4.8	1	18.0mm	333.0mm	451.0mm	Sheet Good	Cabinet Birch	No	None		D1
29	CABINET SIDE L	5.1	1	18.0mm	546.0mm	787.0mm	Sheet Good	Cabinet Birch	No	None		D3
30	CABINET SIDE R	5.5	1	18.0mm	546.0mm	787.0mm	Sheet Good	Cabinet Birch	No	None		D1

Part #	Sub-Assembly	Description	Copies	Thick	Width	Length	Material Type	Material Name	Can Rotate	Banding	<Info >	Diagram #s
31	CABINET BACK	5.2	1	18.0mm	387.8mm	804.4mm	Sheet Good	Cabinet Birch	No	None		D2



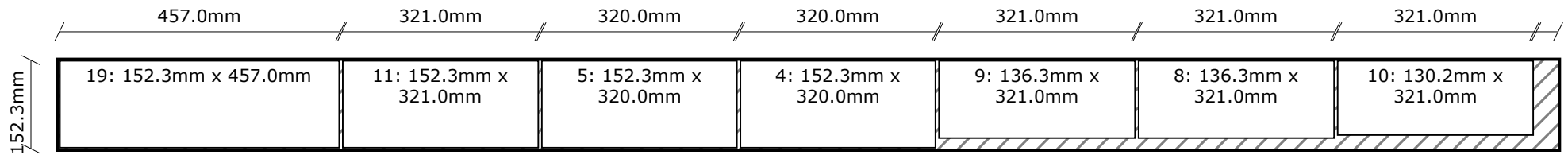
**[A1] ApplePlyDrawer4: 12.0mm x 101.7mm x 2438.4mm**

Vendor: Bin:

1 of 1 this size Grain: Horizontal Stock Trim: 0.0mm::0.0mm Standard Layout

Kerf: 3.2mm Part Padding: 0.0mm Waste: 45.6% Final Cut Dimensions

Part #	Sub-Assembly	Description	Copies in Layout	Final Cut Y	Thick	Final Cut X	Rough Y	Rough X	Banding	<Info>
6	TOP DRAWER BACK (1)	1.7	1	74.0mm	12.0mm	<b>321.0mm</b>	74.0mm	<b>321.0mm</b>	None	
7	TOP DRAWER FRONT	1.4	1	90.0mm	12.0mm	<b>321.0mm</b>	90.0mm	<b>321.0mm</b>	None	
12	TOP DRAWER LEFT SIDE	1.2	1	90.0mm	12.0mm	<b>457.0mm</b>	90.0mm	<b>457.0mm</b>	None	
13	TOP DRAWER RIGHT SIDE	1.3	1	90.0mm	12.0mm	<b>457.0mm</b>	90.0mm	<b>457.0mm</b>	None	



**[B1] ApplePlyDrawer6: 12.0mm x 152.3mm x 2438.4mm**

Vendor: Bin:

1 of 2 this size

Grain: Horizontal

Stock Trim: 0.0mm::0.0mm

Standard Layout

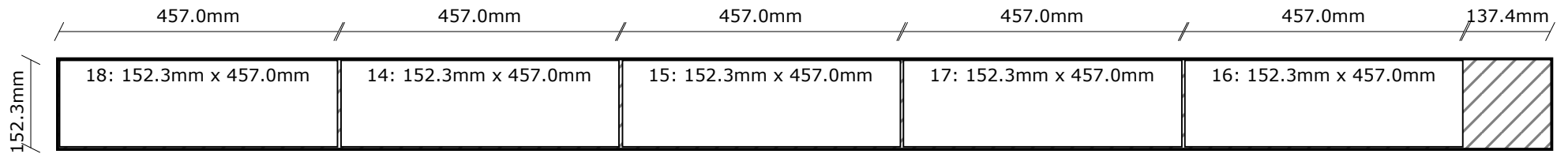
Kerf: 3.2mm

Part Padding: 0.0mm

Waste: 7.0%

Final Cut Dimensions

Part #	Sub-Assembly	Description	Copies in Layout	Final Cut Y	Thick	Final Cut X	Rough Y	Rough X	Banding	<Info>
4	UPPER DRAWER T FRONT	2.4	1	152.3mm	12.0mm	<b>320.0mm</b>	152.3mm	<b>320.0mm</b>	None	
5	UPPER DRAWER B FRONT	3.4	1	152.3mm	12.0mm	<b>320.0mm</b>	152.3mm	<b>320.0mm</b>	None	
8	UPPER DRAWER T BACK (1)	2.7	1	136.3mm	12.0mm	<b>321.0mm</b>	136.3mm	<b>321.0mm</b>	None	
9	UPPER DRAWER B BACK	3.7	1	136.3mm	12.0mm	<b>321.0mm</b>	136.3mm	<b>321.0mm</b>	None	
10	BOTTOM DRAWER BACK	4.7	1	130.2mm	12.0mm	<b>321.0mm</b>	130.2mm	<b>321.0mm</b>	None	
11	BOTTOM DRAWER FRONT	4.5	1	152.3mm	12.0mm	<b>321.0mm</b>	152.3mm	<b>321.0mm</b>	None	
19	BOTTOM DRAWER RIGHT SIDE	4.4	1	152.3mm	12.0mm	<b>457.0mm</b>	152.3mm	<b>457.0mm</b>	None	



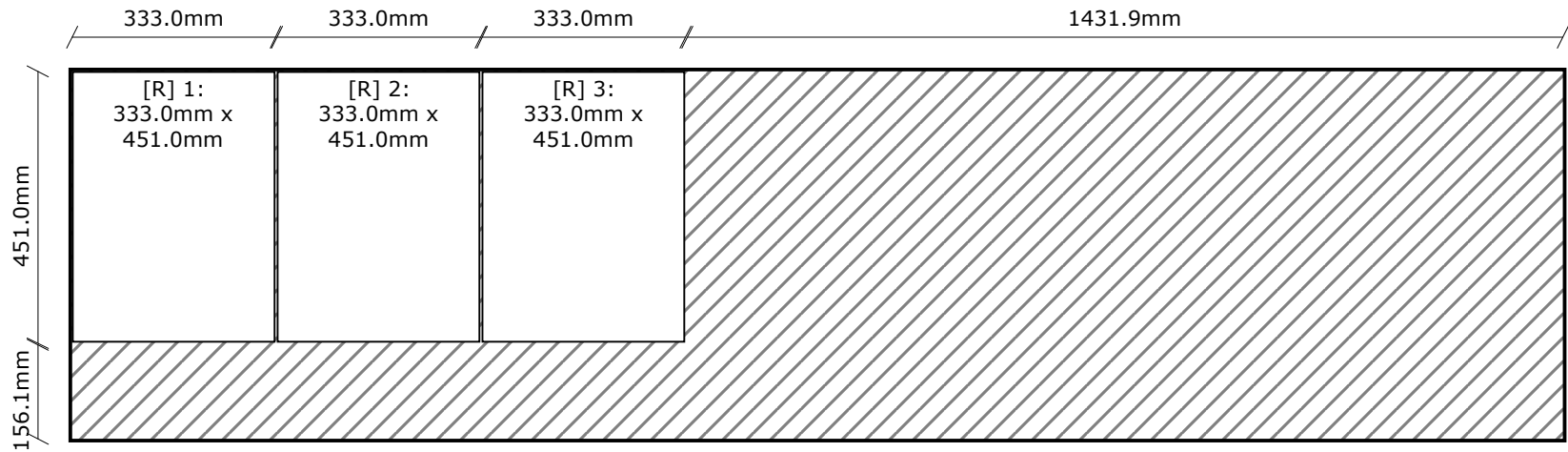
**[B2] ApplePlyDrawer6: 12.0mm x 152.3mm x 2438.4mm**

Vendor: Bin:

2 of 2 this size Grain: Horizontal Stock Trim: 0.0mm::0.0mm Standard Layout

Kerf: 3.2mm Part Padding: 0.0mm Waste: 6.3% Final Cut Dimensions

Part #	Sub-Assembly	Description	Copies in Layout	Final Cut Y	Thick	Final Cut X	Rough Y	Rough X	Banding	<Info>
14	UPPER DRAWER T LEFT SIDE	2.2	1	152.3mm	12.0mm	<b>457.0mm</b>	152.3mm	<b>457.0mm</b>	None	
15	UPPER DRAWER T RIGHT SIDE	2.3	1	152.3mm	12.0mm	<b>457.0mm</b>	152.3mm	<b>457.0mm</b>	None	
16	UPPER DRAWER B Right SIDE	3.2	1	152.3mm	12.0mm	<b>457.0mm</b>	152.3mm	<b>457.0mm</b>	None	
17	UPPER DRAWER B LEFT SIDE	3.2	1	152.3mm	12.0mm	<b>457.0mm</b>	152.3mm	<b>457.0mm</b>	None	
18	BOTTOM DRAWER LEFT SIDE	4.2	1	152.3mm	12.0mm	<b>457.0mm</b>	152.3mm	<b>457.0mm</b>	None	



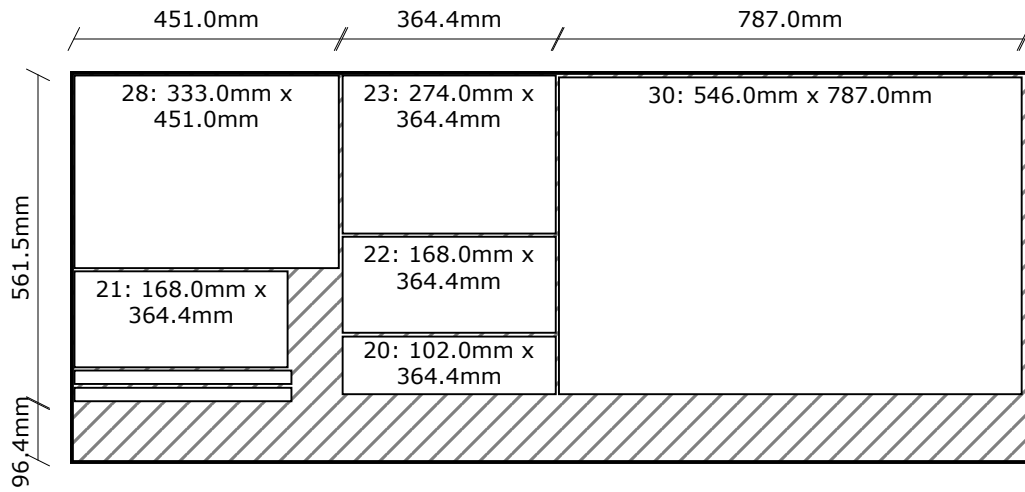
**[C1] Cabinet Birch: 6.0mm x 609.6mm x 2438.4mm**

Vendor: Bin:

1 of 1 this size Grain: None Stock Trim: 0.0mm::0.0mm Standard Layout

Kerf: 2.5mm Part Padding: 0.0mm Waste: 69.7% Final Cut Dimensions

Part #	Sub-Assembly	Description	Copies in Layout	Final Cut Y	Thick	Final Cut X	Rough Y	Rough X	Banding	<Info>
1[R]	TOP DRAWER BOTTOM	1.8	1	<b>451.0mm</b>	6.0mm	333.0mm	<b>451.0mm</b>	333.0mm	None	
2[R]	UPPER DRAWER T BOTTOM	2.8	1	<b>451.0mm</b>	6.0mm	333.0mm	<b>451.0mm</b>	333.0mm	None	
3[R]	UPPER DRAWER B BOTTOM	3.8	1	<b>451.0mm</b>	6.0mm	333.0mm	<b>451.0mm</b>	333.0mm	None	



**[D1] Cabinet Birch: 18.0mm x 660.4mm x 1625.6mm**

Vendor: Bin: 64 x 26

1 of 1 this size

Grain: None

Stock Trim: 0.0mm::0.0mm

Manual Edit

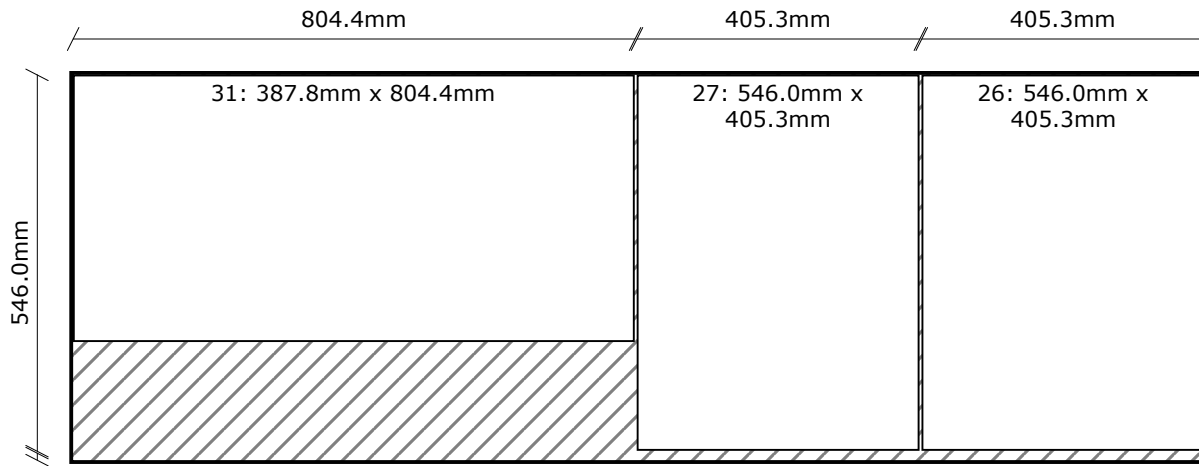
Kerf: 2.5mm

Part Padding: 0.0mm

Waste: 20.0%

Final Cut Dimensions

Part #	Sub-Assembly	Description	Copies in Layout	Final Cut Y	Thick	Final Cut X	Rough Y	Rough X	Banding	<Info>
20	TOP DRAWER FACE	1.6	1	102.0mm	18.0mm	<b>364.4mm</b>	102.0mm	<b>364.4mm</b>	None	
21	UPPER DRAWER T FACE	2.6	1	168.0mm	18.0mm	<b>364.4mm</b>	168.0mm	<b>364.4mm</b>	None	
22	UPPER DRAWER B FACE	3.6	1	168.0mm	18.0mm	<b>364.4mm</b>	168.0mm	<b>364.4mm</b>	None	
23	BOTTOM DRAWER FACE	4.6	1	274.0mm	18.0mm	<b>364.4mm</b>	274.0mm	<b>364.4mm</b>	None	
24	FACEFRAME	5.6	1	26.5mm	18.0mm	<b>370.4mm</b>	26.5mm	<b>370.4mm</b>	None	
25	FACEFRAME (1)	5.7	1	26.5mm	18.0mm	<b>370.4mm</b>	26.5mm	<b>370.4mm</b>	None	
28	BOTTOM DRAWER BOTTOM	4.8	1	333.0mm	18.0mm	<b>451.0mm</b>	333.0mm	<b>451.0mm</b>	None	
30	CABINET SIDE R	5.5	1	546.0mm	18.0mm	<b>787.0mm</b>	546.0mm	<b>787.0mm</b>	None	



**[D2] Cabinet Birch: 18.0mm x 558.8mm x 1625.6mm**

Vendor: Bin: 64 x 22

1 of 1 this size

Grain: None

Stock Trim: 0.0mm::0.0mm

Manual Edit

Kerf: 2.5mm

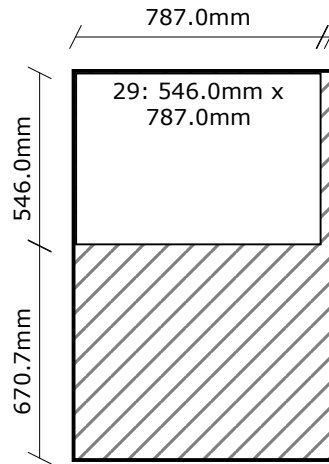
Part Padding: 0.0mm

Waste: 16.9%

Final Cut Dimensions

Part #	Sub-Assembly	Description	Copies in Layout	Final Cut Y	Thick	Final Cut X	Rough Y	Rough X	Banding	<Info>
26	CABINET BOTTOM	5.3	1	546.0mm	18.0mm	<b>405.3mm</b>	546.0mm	<b>405.3mm</b>	None	
27	CABINET TOP	5.4	1	546.0mm	18.0mm	<b>405.3mm</b>	546.0mm	<b>405.3mm</b>	None	
31	CABINET BACK	5.2	1	387.8mm	18.0mm	<b>804.4mm</b>	387.8mm	<b>804.4mm</b>	None	





**[D3] Cabinet Birch: 18.0mm x 1219.2mm x 812.8mm**

Vendor:

Bin: 32 x 48

1 of 1 this size

Grain: None

Stock Trim: 0.0mm::0.0mm

Manual Edit

Kerf: 2.5mm

Part Padding: 0.0mm

Waste: 56.6%

Final Cut Dimensions

Part #	Sub-Assembly	Description	Copies in Layout	Final Cut Y	Thick	Final Cut X	Rough Y	Rough X	Banding	<Info>
29	CABINET SIDE L	5.1	1	546.0mm	18.0mm	<b>787.0mm</b>	546.0mm	<b>787.0mm</b>	None	