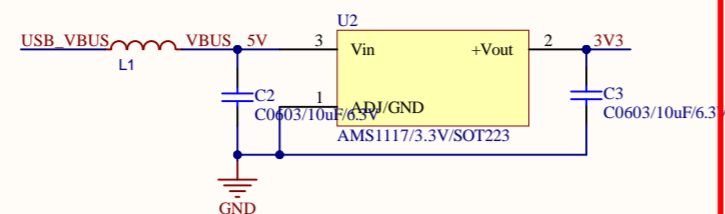


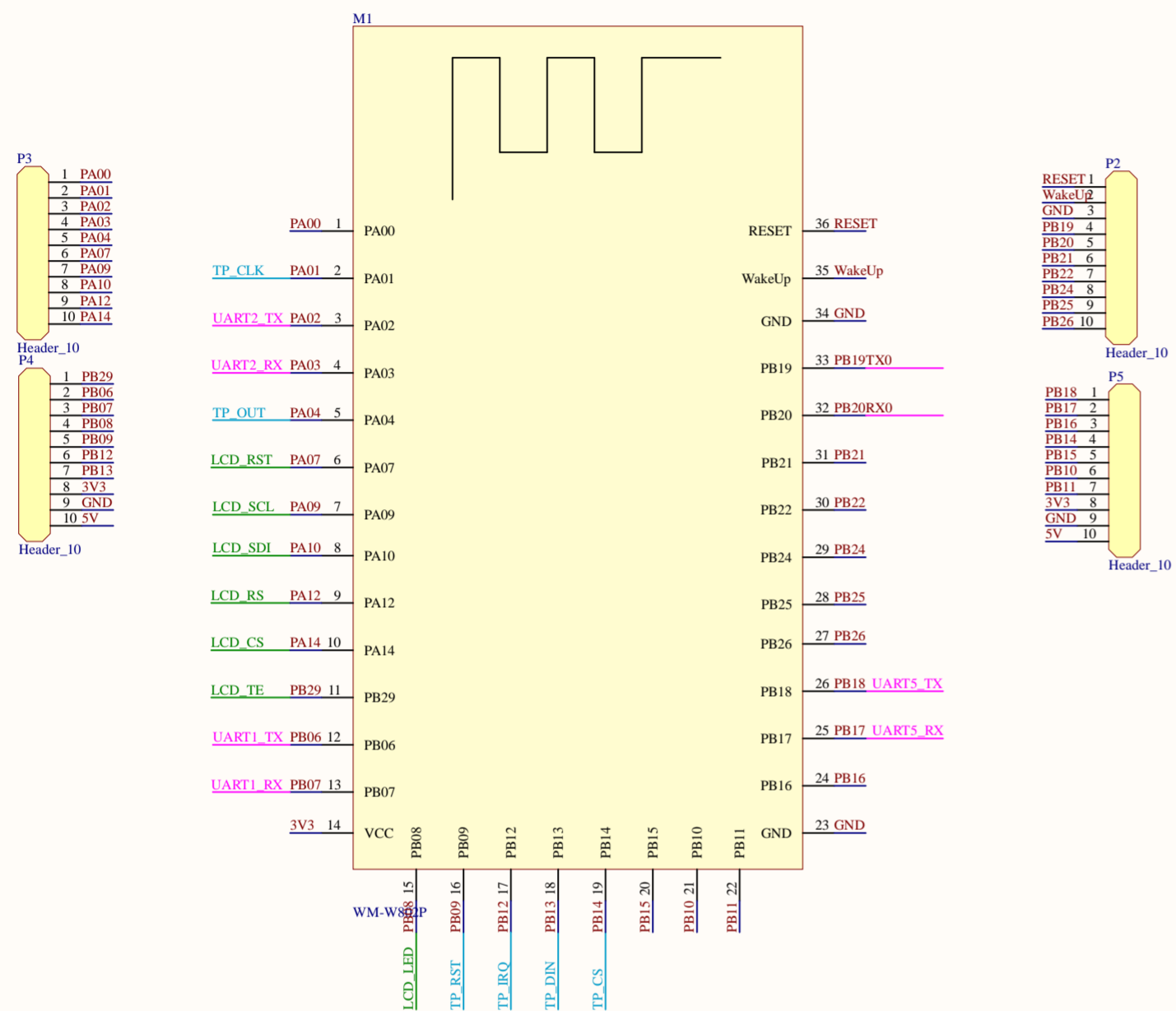
USB Type C



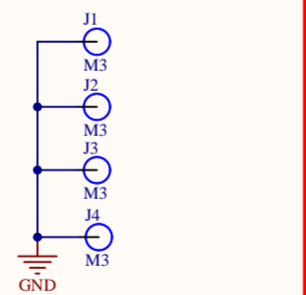
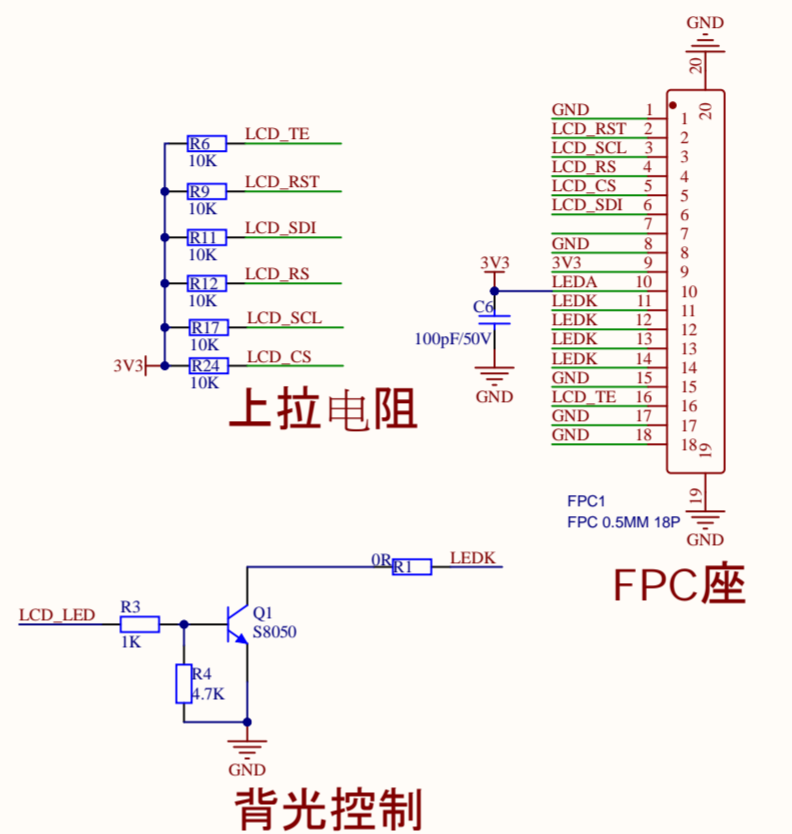
LDO



CH340 Uart0 Debug



W802模块



Title		
Size	Number	Revision
Orcad C		
Date:	11/23/2023	Sheet of
File:	main_board.SchDoc	Drawn By: