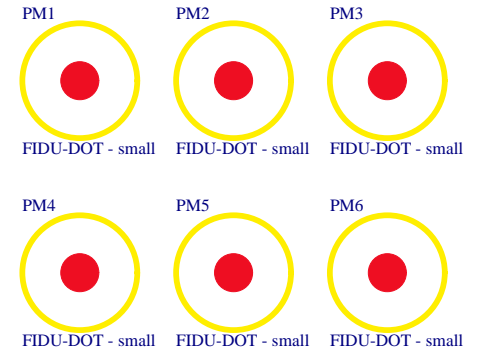
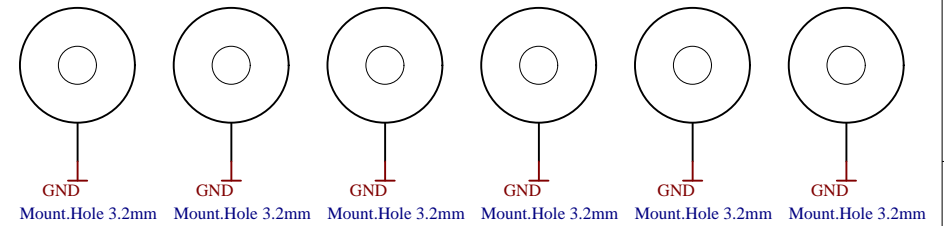



U_HDMI HDMI.SchDoc	U_B15 B15.SchDoc	U_POWER POWER.SchDoc
U_Ethernet Ethernet.SchDoc	U_B16 B16.SchDoc	U_PowerMain PowerMain.SchDoc
U_LED_SW_BUT LED_SW_BUT.SchDoc	U_B34 B34.SchDoc	U_VGA VGA.SchDoc
U_SYS_MAX10_CTRL SYS_MAX10_CTRL.SchDoc	U_FPGA-CFG FPGA-CFG.SchDoc	U_EXT_HEADER EXT_HEADER.SchDoc
U_SOUND SOUND.SchDoc	U_FPGA-MGT FPGA-MGT.SchDoc	U_EXP_Slot EXP_Slot.SchDoc
U_B13 B13.SchDoc	U_FPGA-PWR FPGA-PWR.SchDoc	U_Floppy Floppy.SchDoc
U_B14 B14.SchDoc	U_JOY JOY.SchDoc	
	U_KEYBOARD KEYBOARD.SchDoc	



Serial1
Serial
Serialnumber 6,3 x 6.3mm

LOGO1
TE Logo PRINT Layer
LOGO PRINT



Design drawn by: IG		Title: MEGA65		
Checked by: MR		A4	Number: TE0765 [No Variations]	Rev. 03
Assembly variant: [No Variations]		Date: 2020-06-29	Copyright: Trenz Electronic GmbH	Page 1 of 23
Created by: VariantCreatedBy		Filename: TE0765.SchDoc		
Modified by: VariantModifiedBy				
Modified at: VariantDateModification				

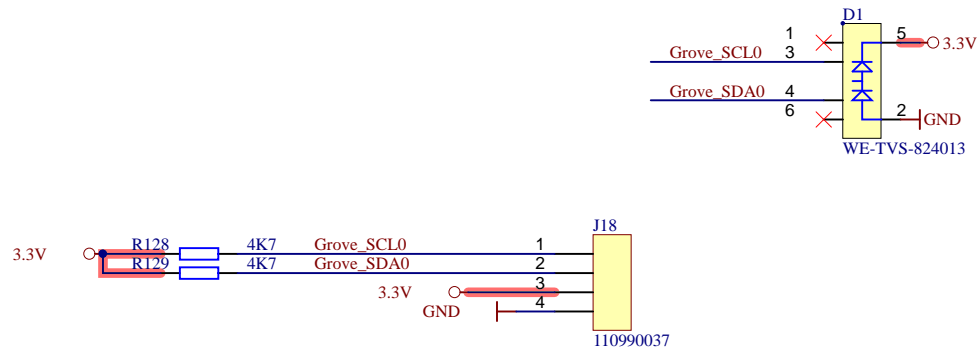
1

2

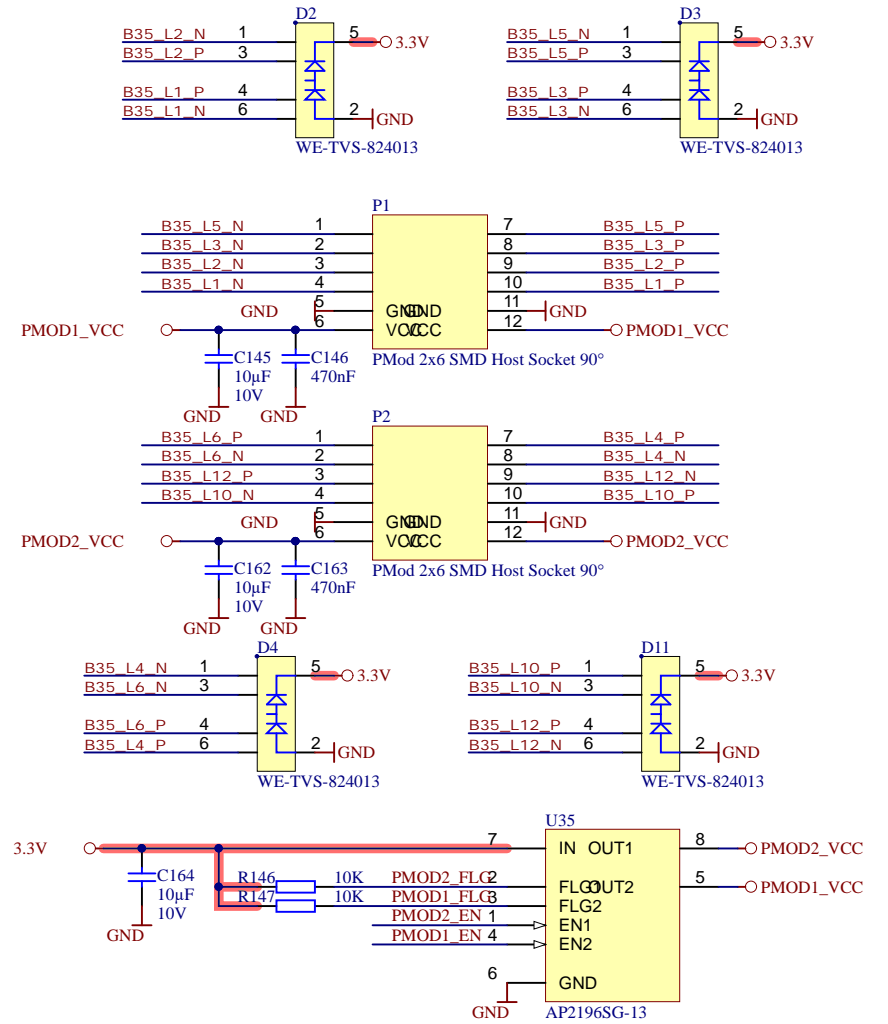
3

4

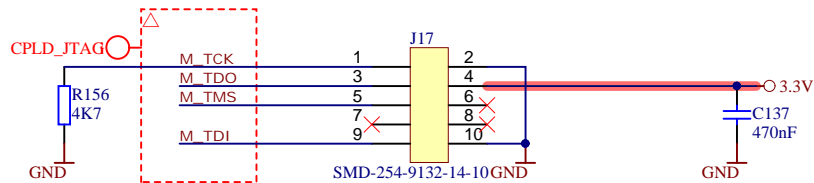
Grove CONN



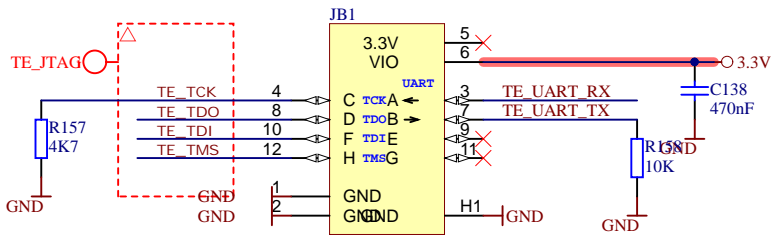
PMOD CONN



CPLD CONFIG



TE0790-Base SMT



Title: MEGA65		
A4	Number: TE0765 [No Variations]	Rev. 03
Date: 2020-06-29	Copyright: Trenz Electronic GmbH	Page 2 of 23
Filename: EXT_HEADER.SchDoc		

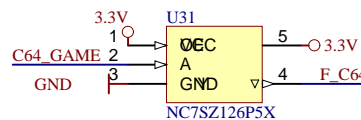
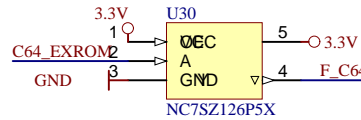
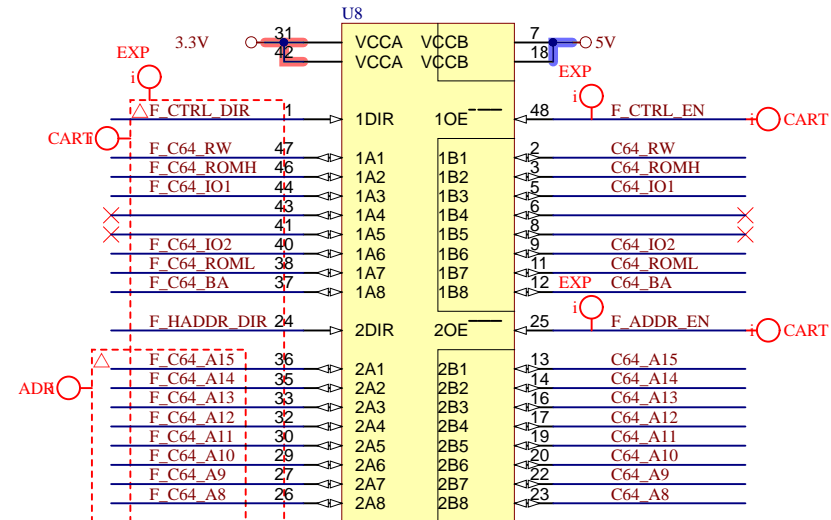
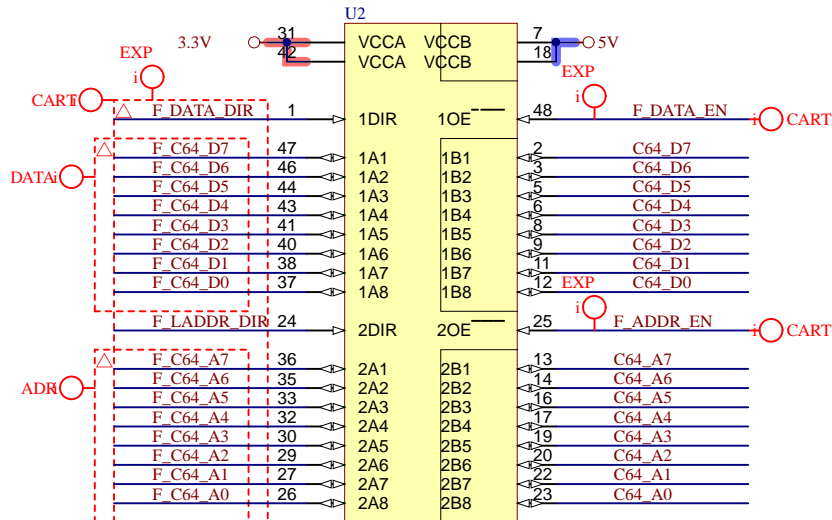
1

2

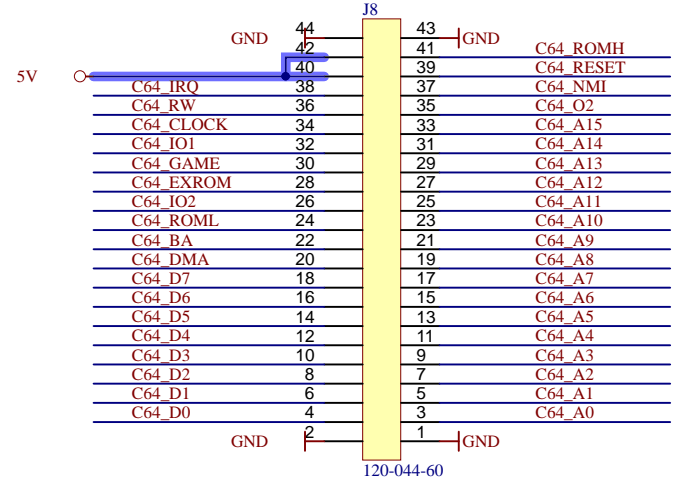
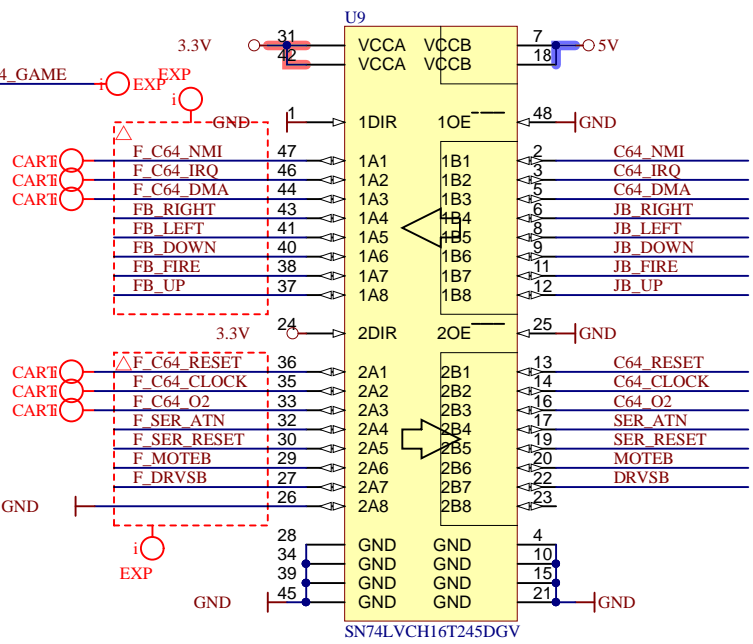
3

4

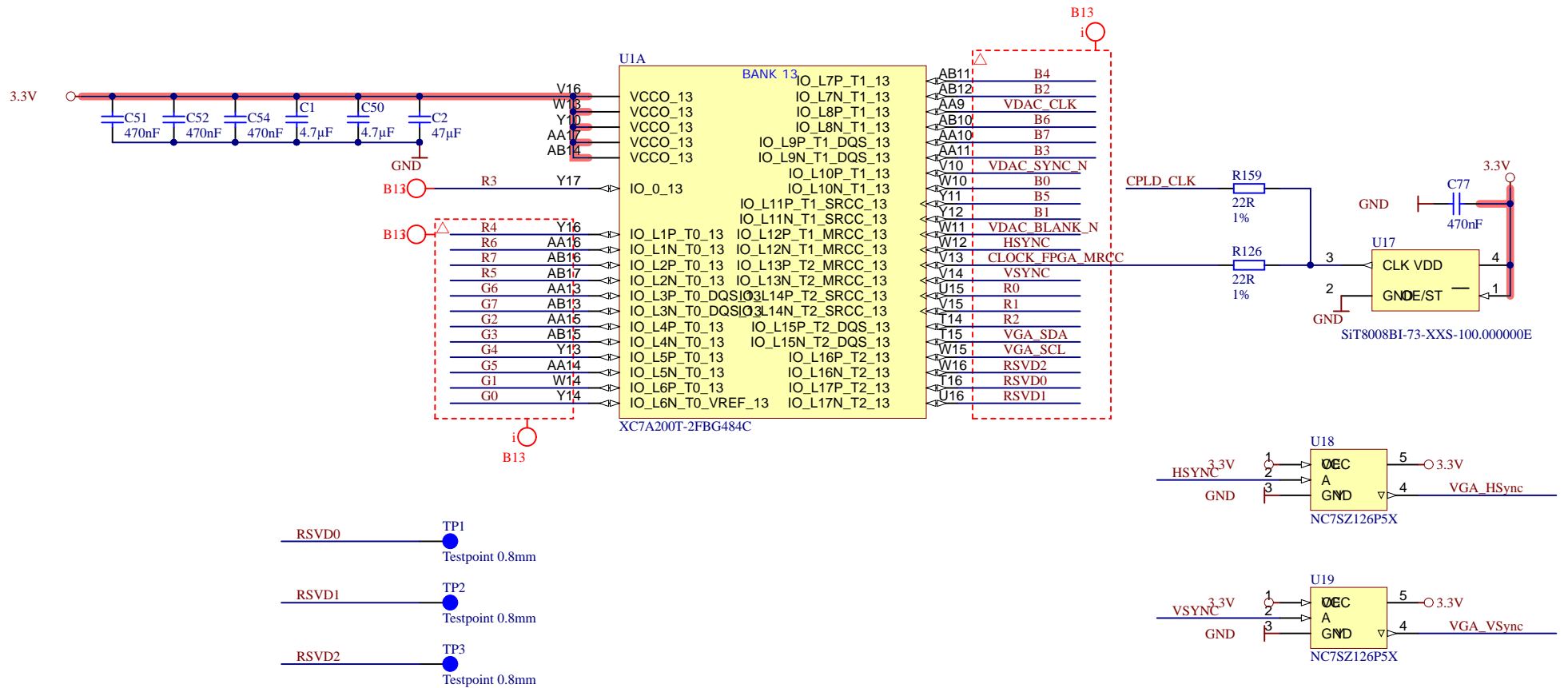
C64_IRQ	R37	4K7
C64_RW	R38	4K7
C64_CLOCK	R39	4K7
C64_IO1	R40	4K7
C64_GAME	R41	4K7
C64_EXROM	R42	4K7
C64_IO2	R43	4K7
C64_ROML	R45	4K7
C64_BA	R71	4K7
C64_DMA	R90	4K7
C64_D7	R91	4K7
C64_D6	R92	4K7
C64_D5	R93	4K7
C64_D4	R94	4K7
C64_D3	R95	4K7
C64_D2	R96	4K7
C64_D1	R97	4K7
C64_D0	R98	4K7




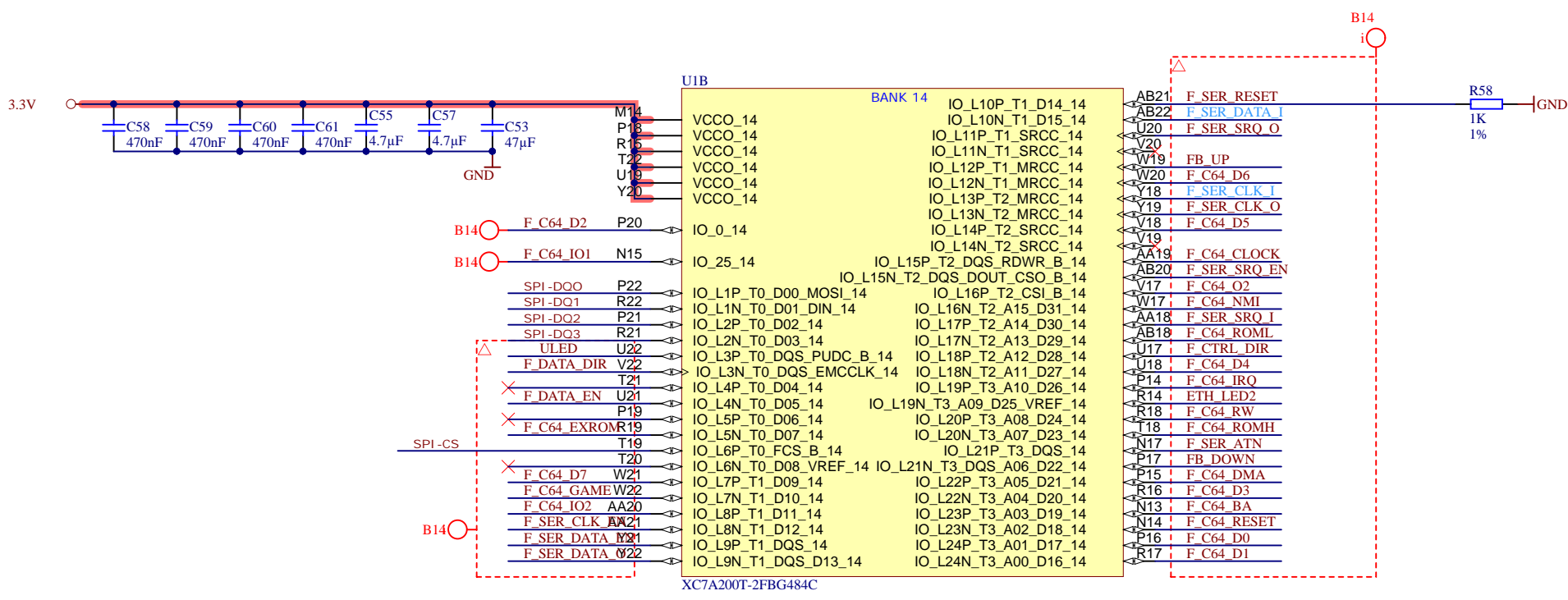
C64_ROMH	R99	4K7
C64_RESET	R100	4K7
C64_NMI	R101	4K7
C64_O2	R102	4K7
C64_A15	R103	4K7
C64_A14	R104	4K7
C64_A13	R105	4K7
C64_A12	R106	4K7
C64_A11	R107	4K7
C64_A10	R108	4K7
C64_A9	R109	4K7
C64_A8	R110	4K7
C64_A7	R111	4K7
C64_A6	R112	4K7
C64_A5	R113	4K7
C64_A4	R114	4K7
C64_A3	R115	4K7
C64_A2	R116	4K7
C64_A1	R117	4K7
C64_A0	R118	4K7



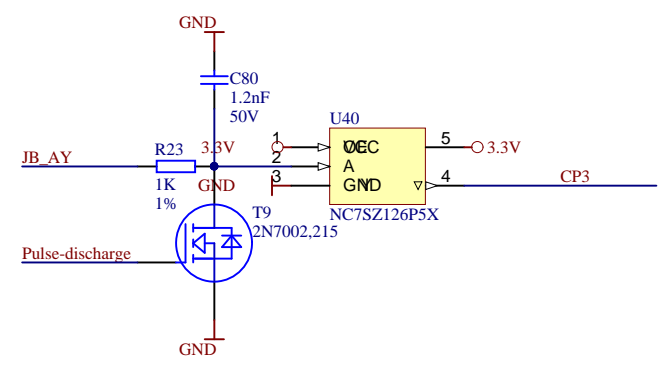
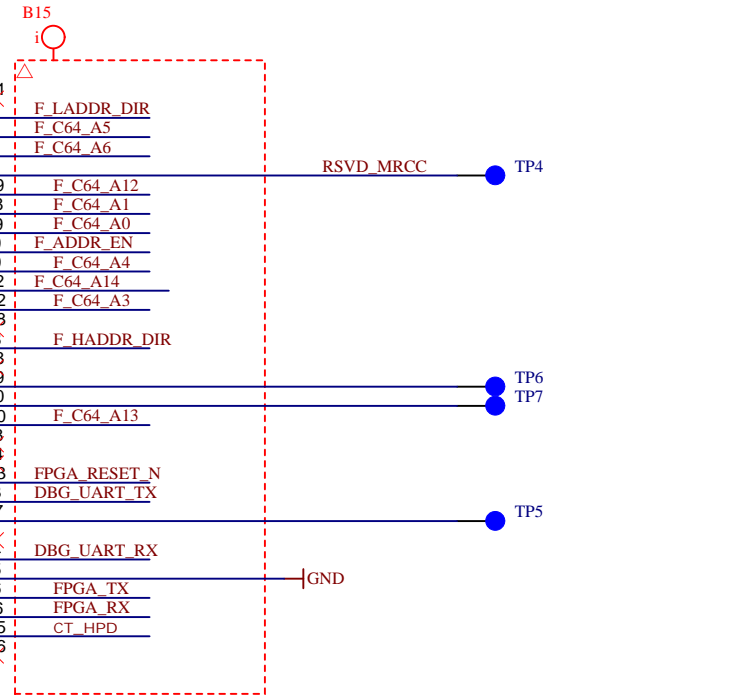
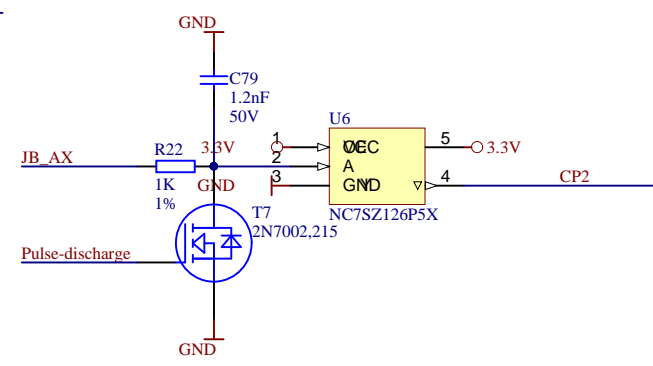
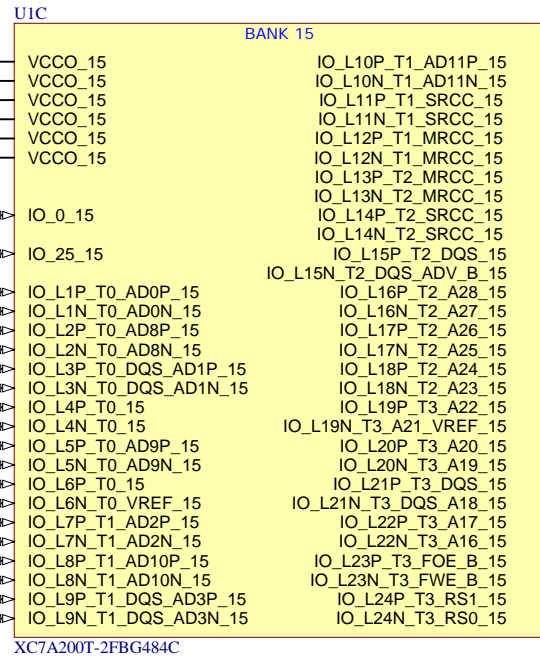
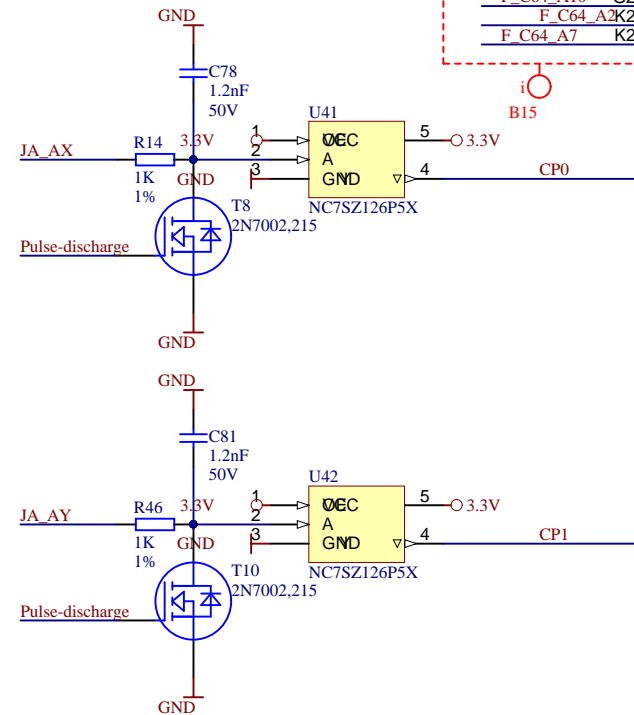
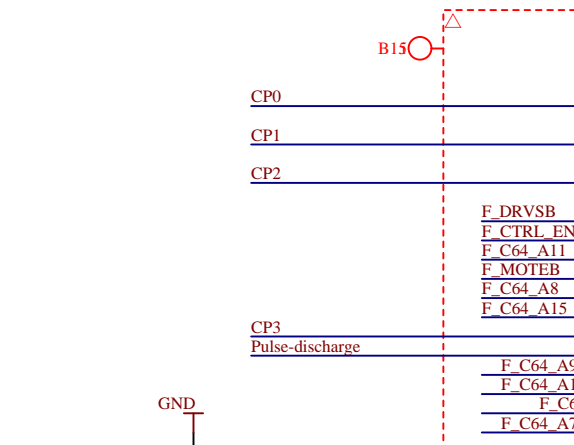
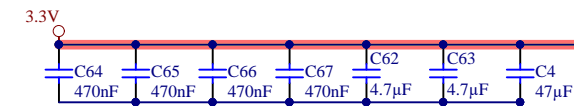

Title: MEGA65		
A4	Number: TE0765 [No Variations]	Rev. 03
Date: 2020-06-29	Copyright: Trenz Electronic GmbH	Page 3 of 23
Filename: EXP_Slot.SchDoc		



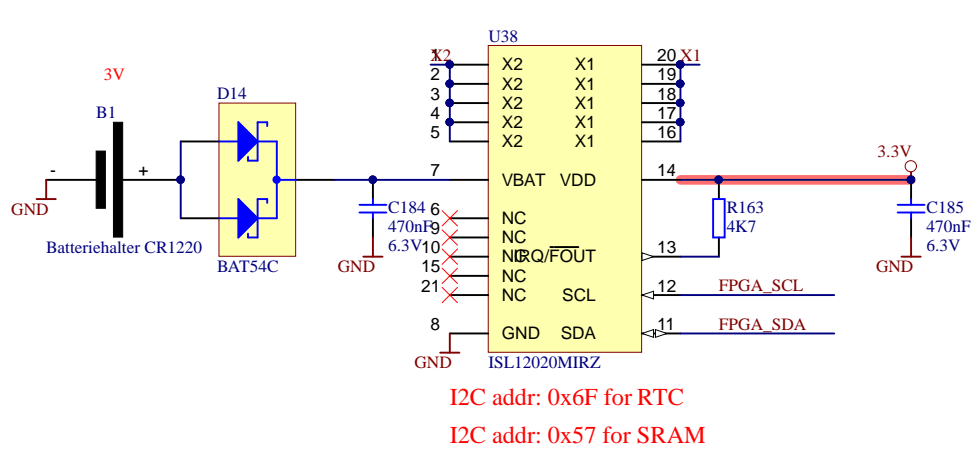
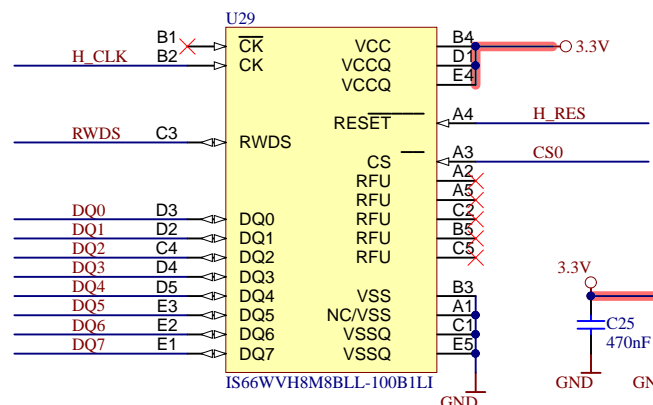
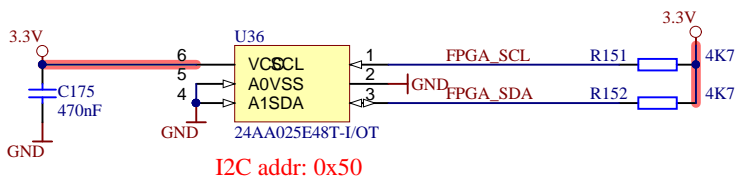
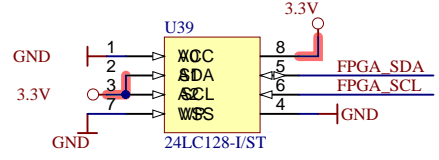
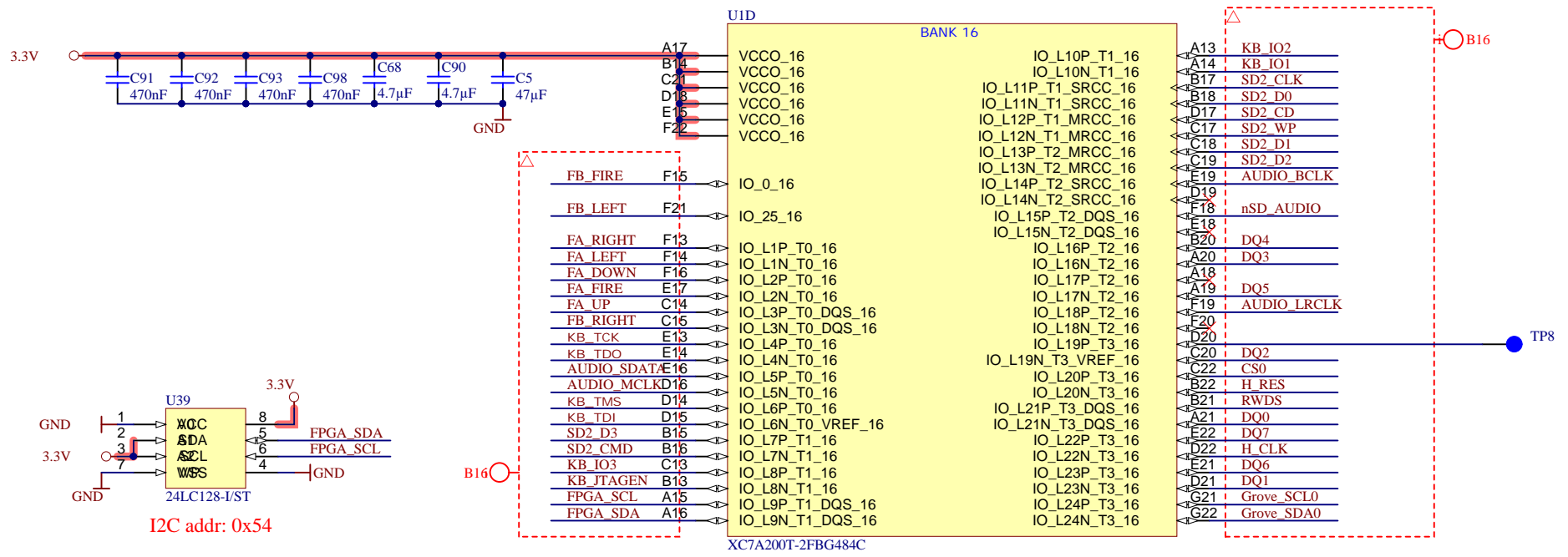
		Title: MEGA65	
		A4	Number: TE0765 [No Variations]
Date: 2020-06-29		Copyright: Trenz Electronic GmbH	
Filename: B13.SchDoc		Page 4 of 23	



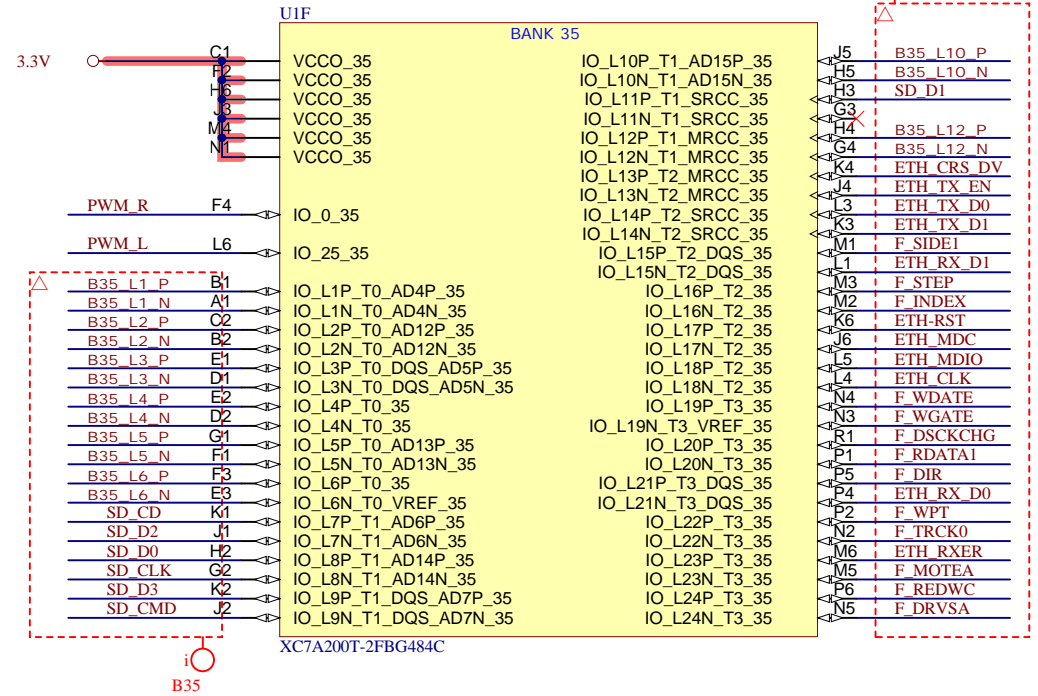
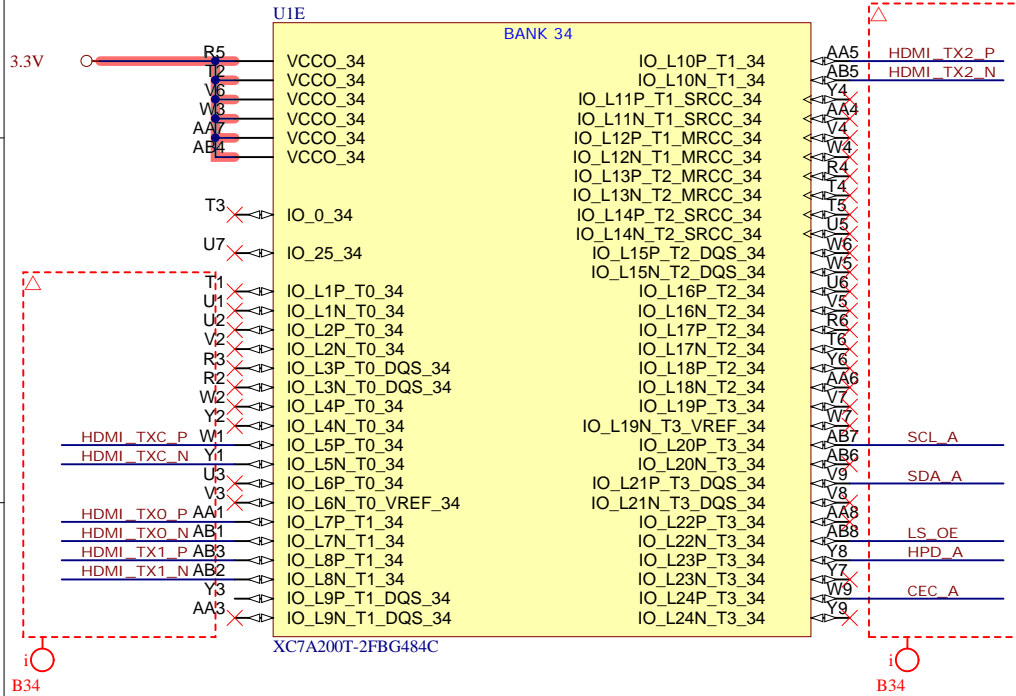
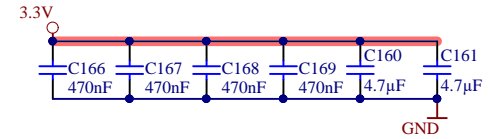
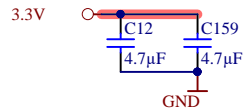
	Title: MEGA65	
	A4	Number: TE0765 [No Variations]
	Date: 2020-06-29	Copyright: Trenz Electronic GmbH
	Filename: B14.SchDoc	Page 5 of 23

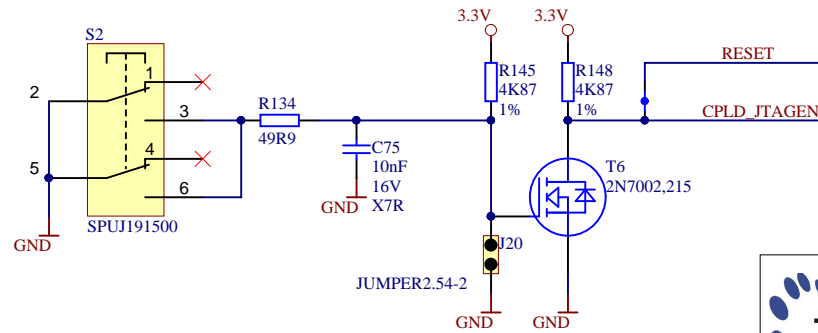
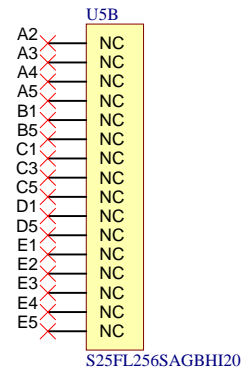
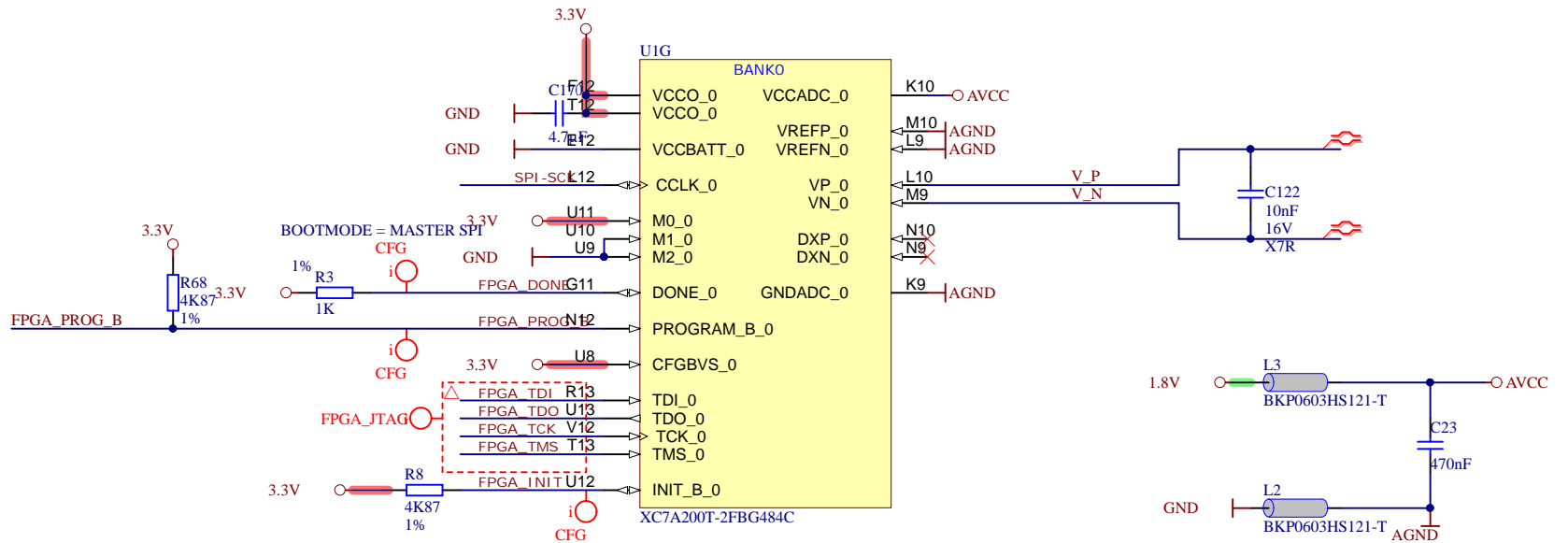
Title: MEGA65		
A4	Number: TE0765 [No Variations]	Rev. 03
Date: 2020-06-29	Copyright: Trenz Electronic GmbH	Page 6 of 23
Filename: B15.SchDoc		



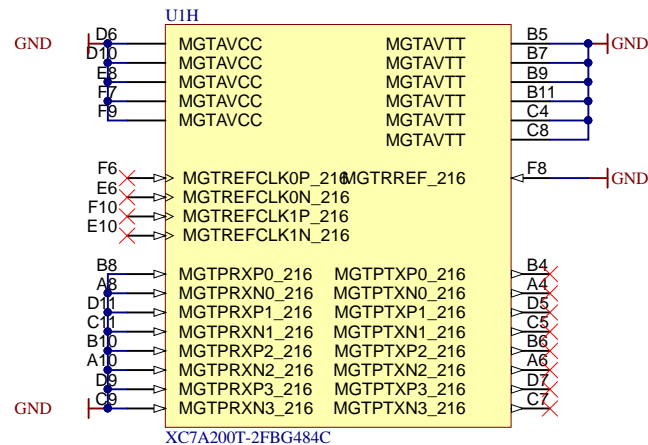
Title: MEGA65		
A4	Number: TE0765 [No Variations]	Rev. 03
Date: 2020-06-29	Copyright: Trenz Electronic GmbH	Page 7 of 23
Filename: B16.SchDoc		




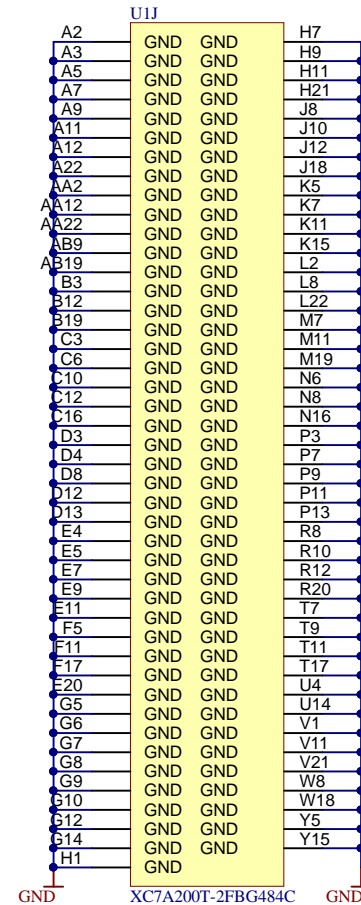
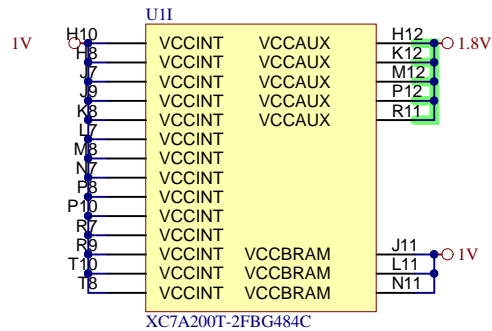
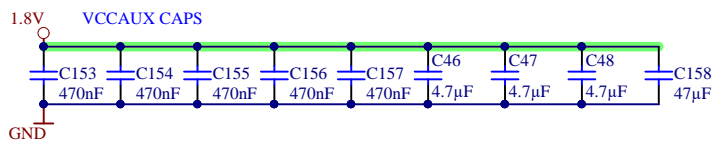
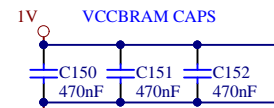
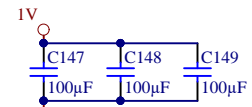
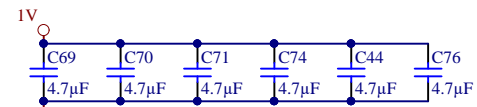
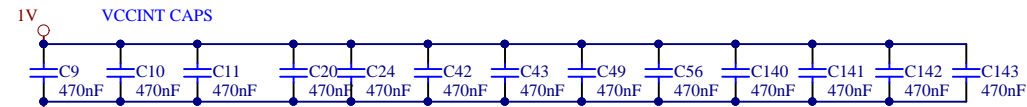

Title: MEGA65		
A4	Number: TE0765 [No Variations]	Rev. 03
Date: 2020-06-29	Copyright: Trenz Electronic GmbH	Page 8 of 23
Filename: B34.SchDoc		



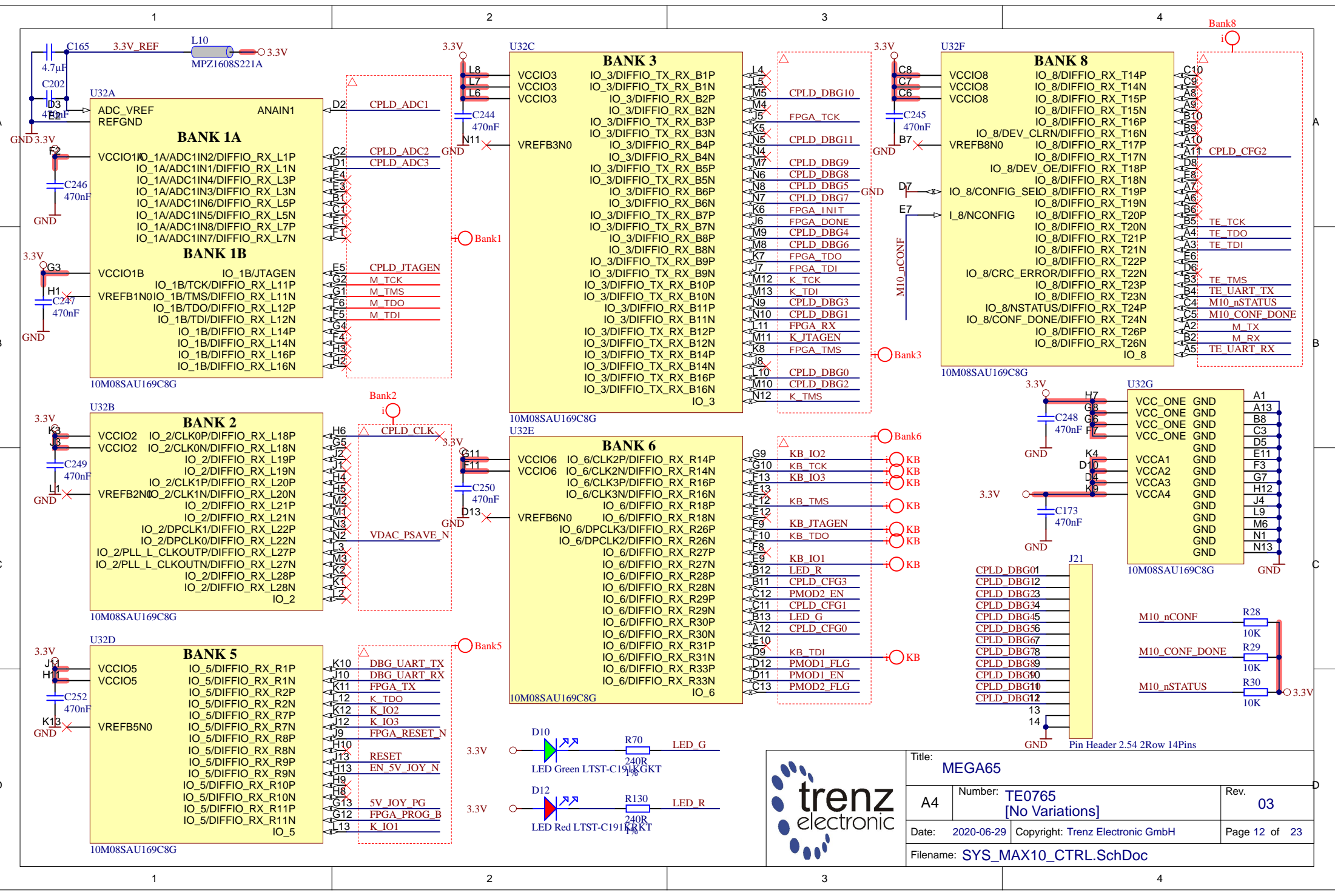
Title: MEGA65		
A4	Number: TE0765 [No Variations]	Rev. 03
Date: 2020-06-29	Copyright: Trenz Electronic GmbH	Page 9 of 23
Filename: FPGA-CFG.SchDoc		



	Title: MEGA65		
	A4	Number: TE0765 [No Variations]	Rev. 03
	Date: 2020-06-29	Copyright: Trenz Electronic GmbH	Page 10 of 23
	Filename: FPGA-MGT.SchDoc		

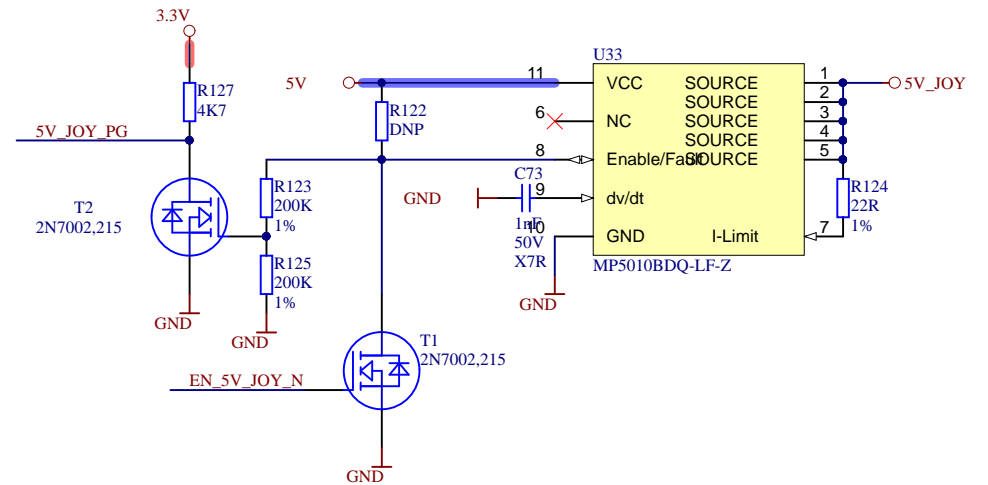
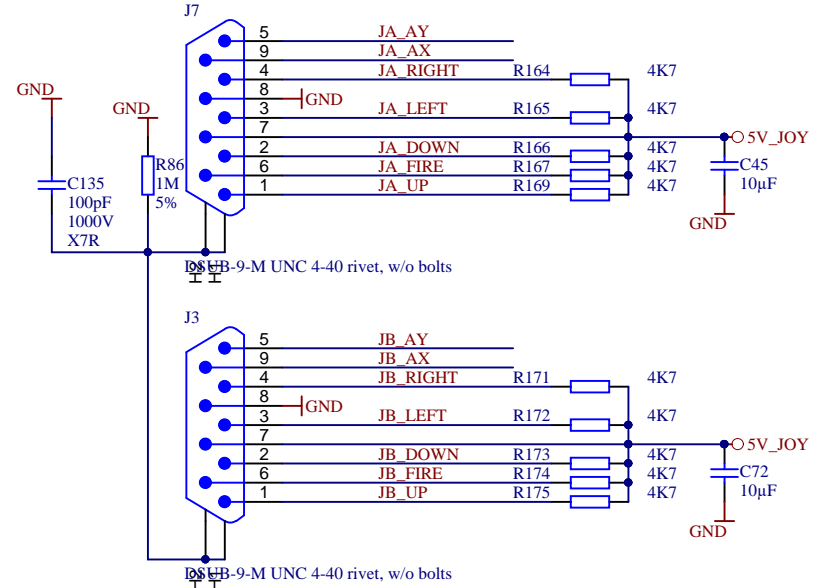
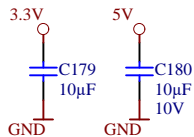
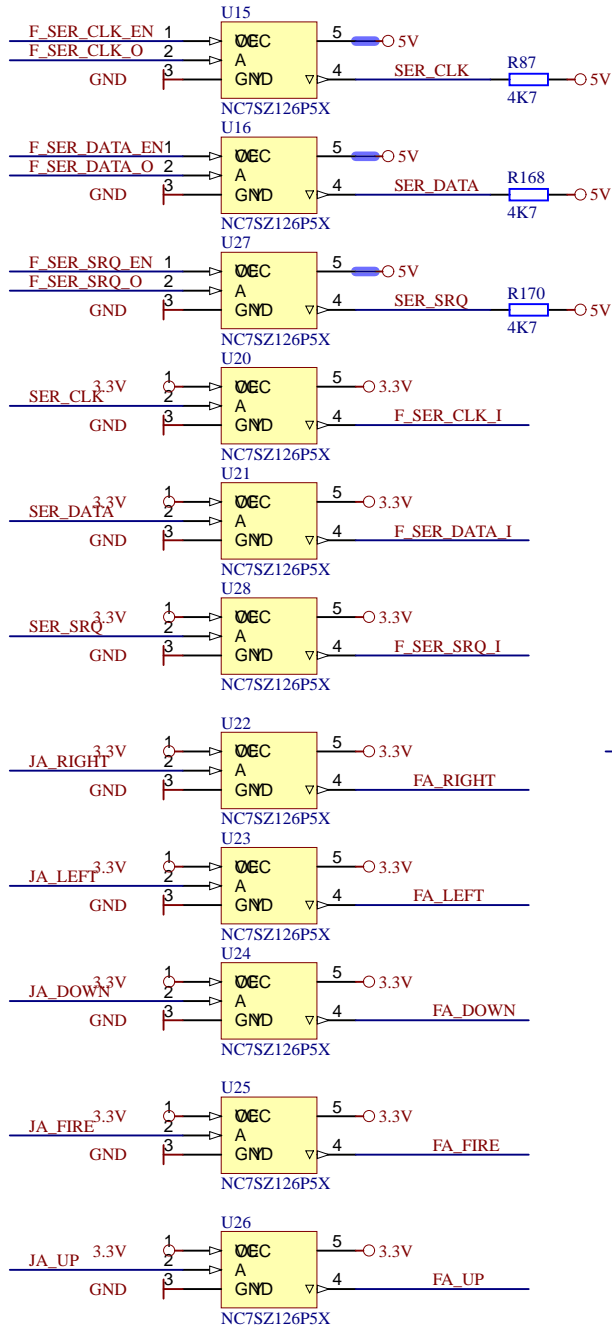
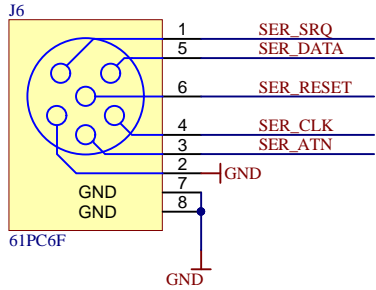



Title: MEGA65		
A4	Number: TE0765 [No Variations]	Rev. 03
Date: 2020-06-29	Copyright: Trenz Electronic GmbH	Page 11 of 23
Filename: FPGA-PWR.SchDoc		

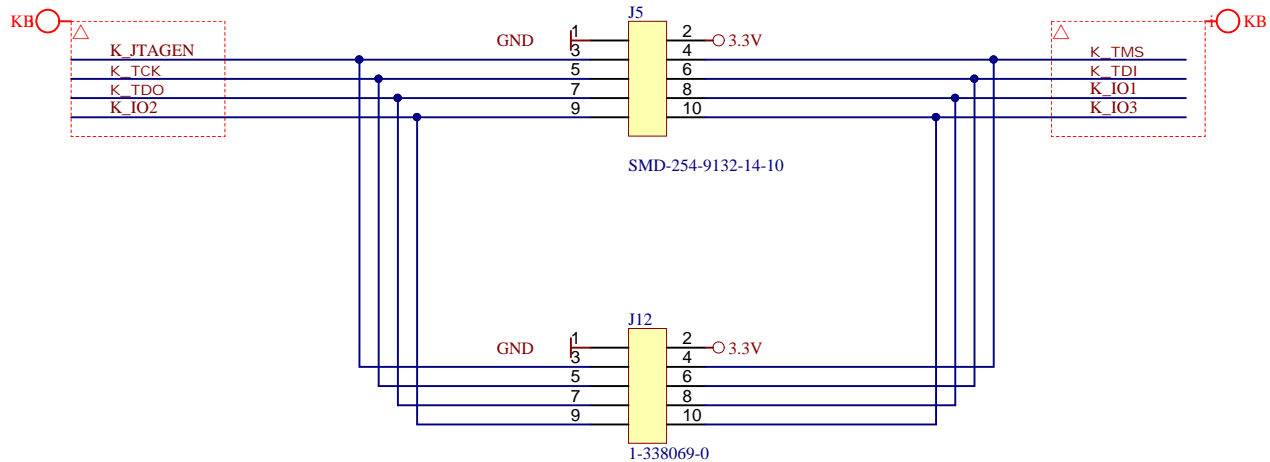



Title: MEGA65		
A4	Number: TE0765 [No Variations]	Rev. 03
Date: 2020-06-29	Copyright: Trenz Electronic GmbH	Page 12 of 23
Filename: SYS_MAX10_CTRL.SchDoc		

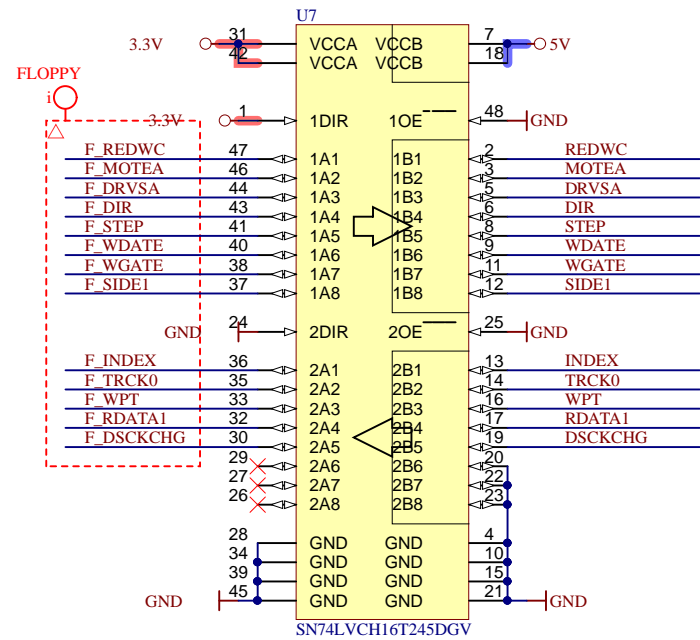
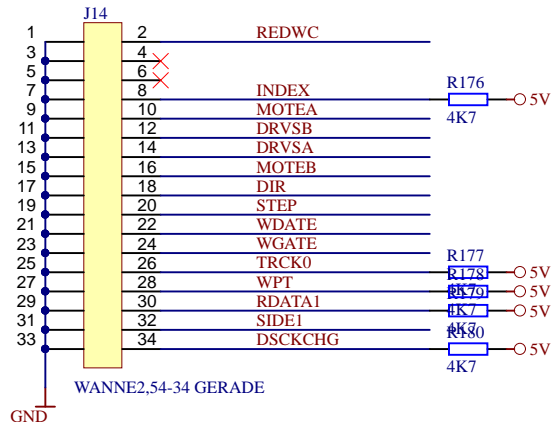
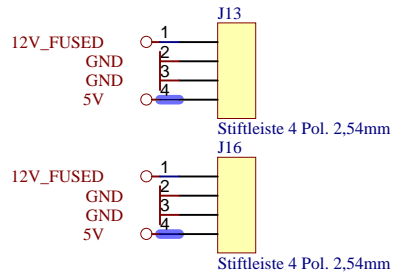
IEC - 1541 style Diskdrive



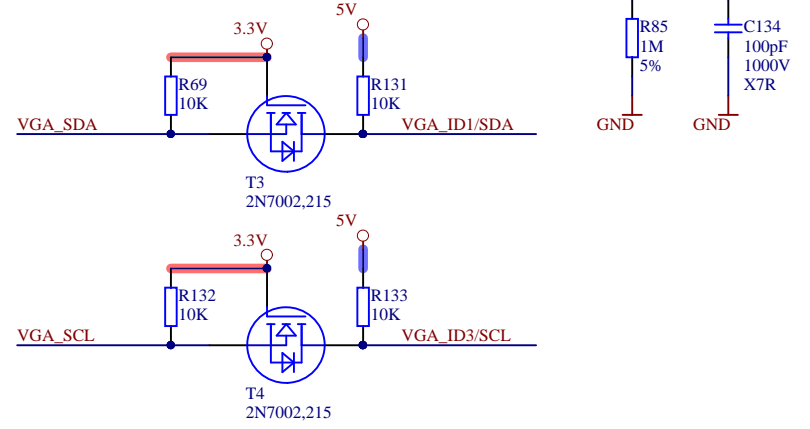
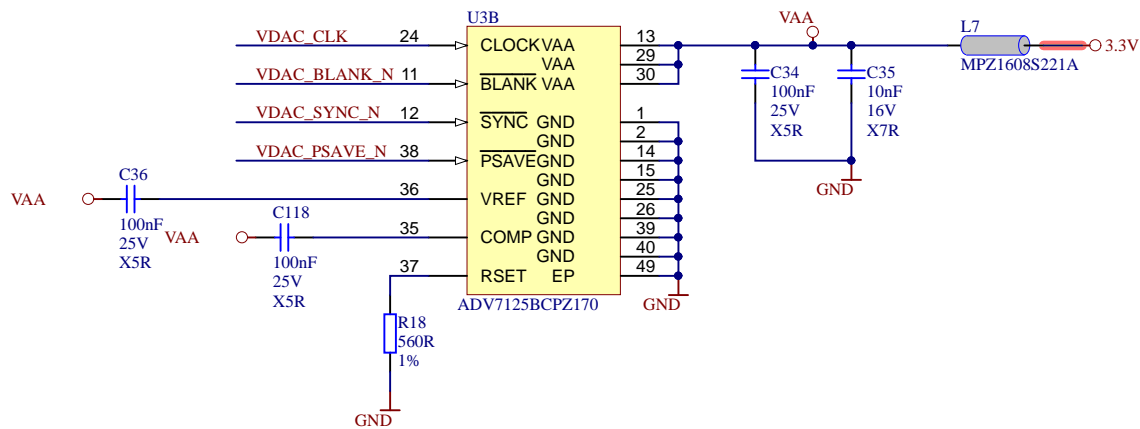
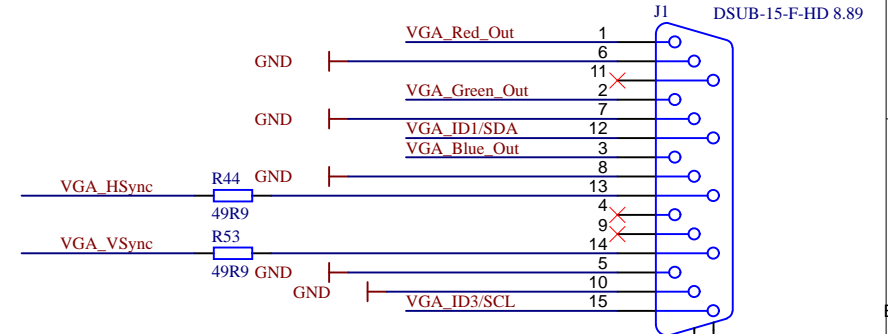
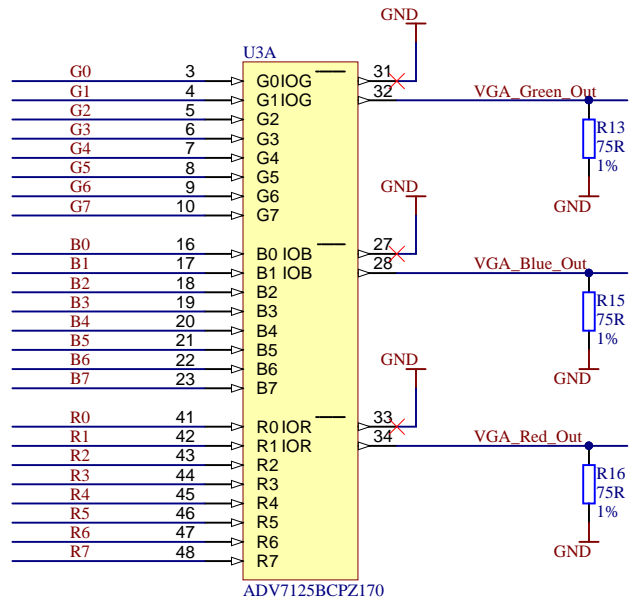
			Title: MEGA65	
			A4	Number: TE0765 [No Variations]
Date: 2020-06-29		Copyright: Trenz Electronic GmbH		Page 13 of 23
Filename: JOY.SchDoc				



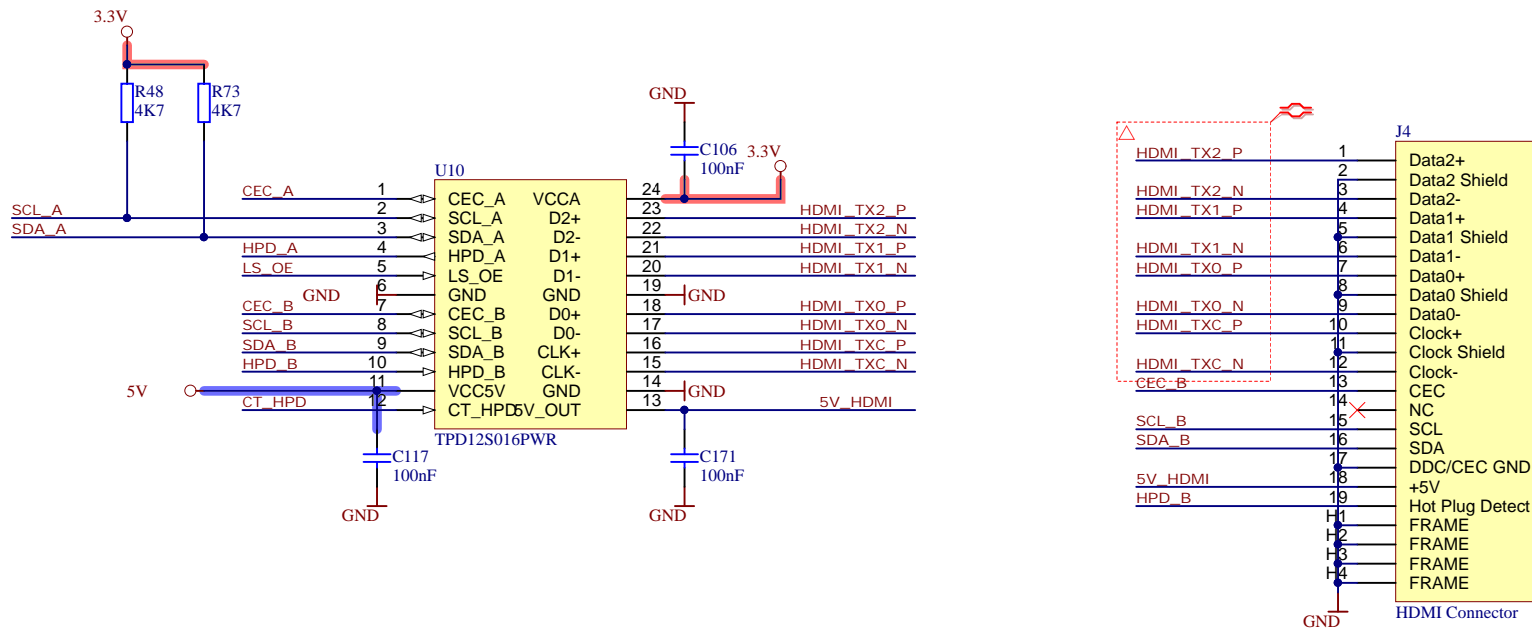
	Title: MEGA65		
	A4	Number: TE0765 [No Variations]	Rev. 03
	Date: 2020-06-29	Copyright: Trenz Electronic GmbH	Page 14 of 23
	Filename: KEYBOARD.SchDoc		




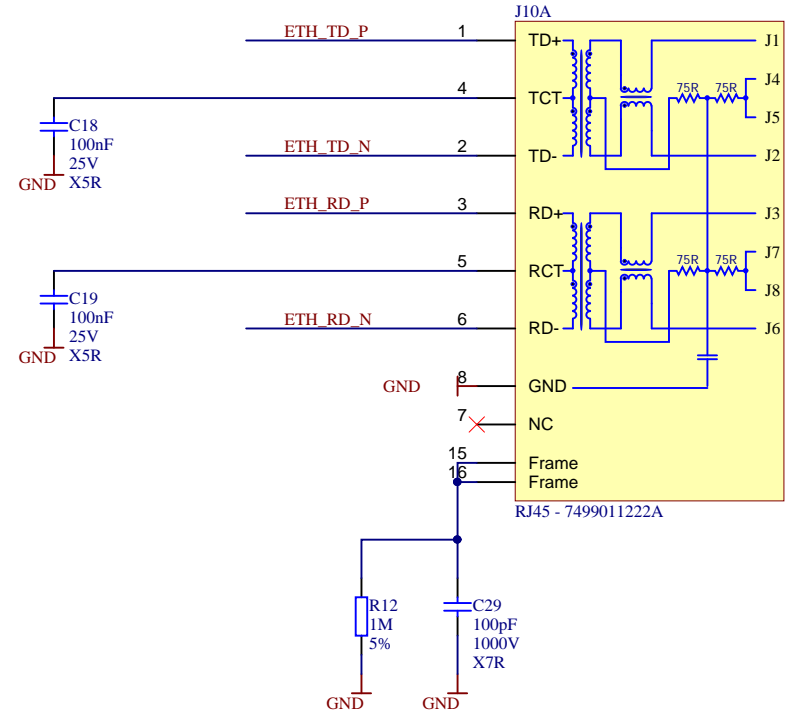
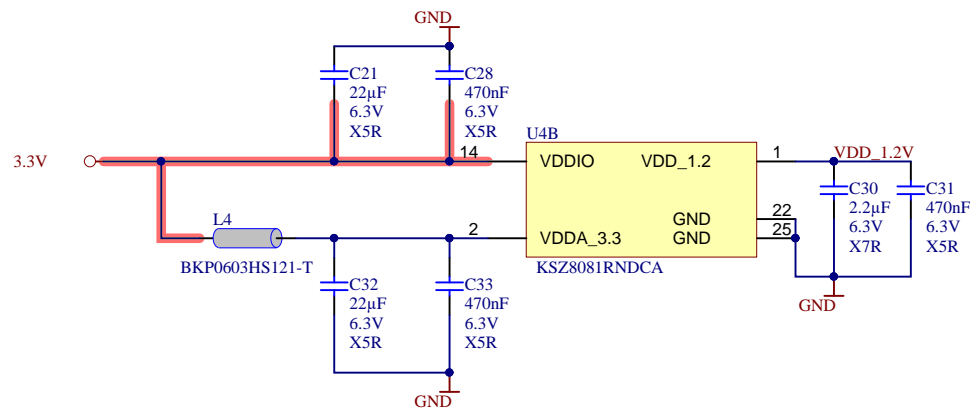
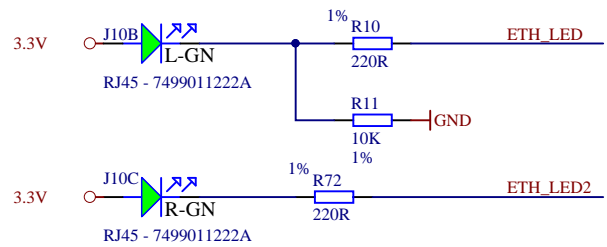
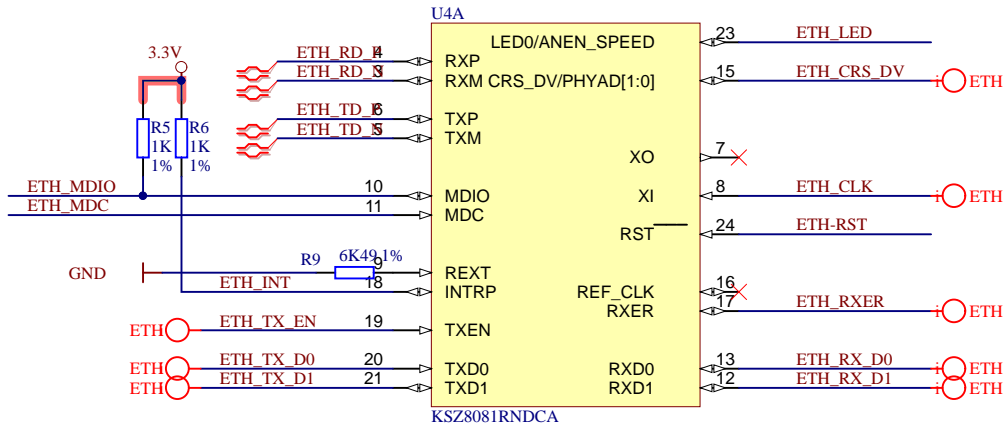
Title: MEGA65		
A4	Number: TE0765 [No Variations]	Rev. 03
Date: 2020-06-29	Copyright: Trenz Electronic GmbH	Page 15 of 23
Filename: Floppy.SchDoc		



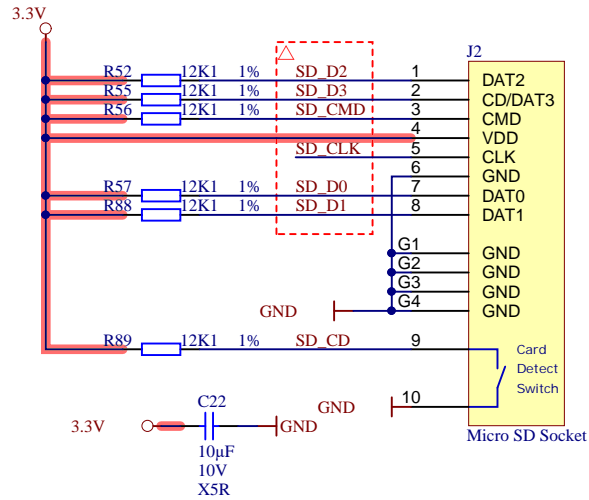
Title: MEGA65		
A4	Number: TE0765 [No Variations]	Rev. 03
Date: 2020-06-29	Copyright: Trenz Electronic GmbH	Page 16 of 23
Filename: VGA.SchDoc		



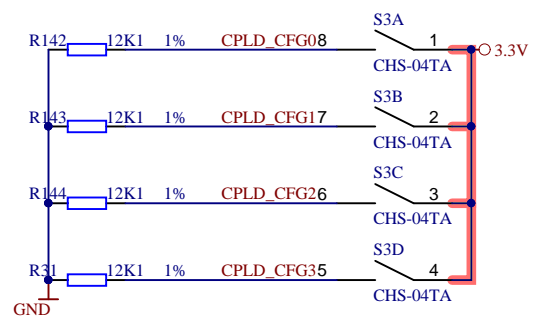
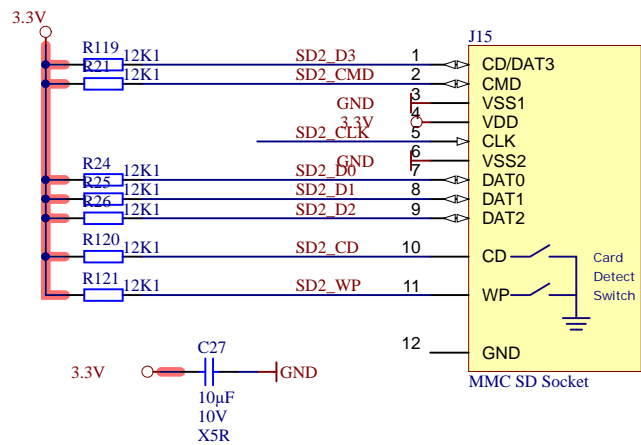
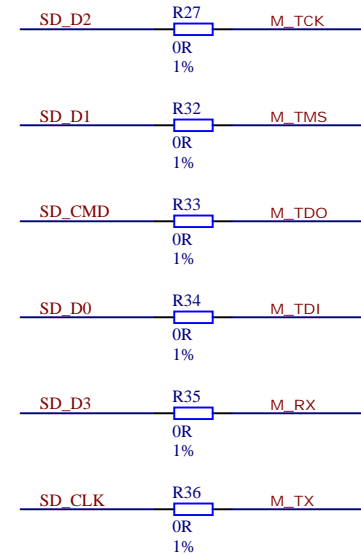
	Title: MEGA65	
	A4	Number: TE0765 [No Variations]
	Date: 2020-06-29	Copyright: Trenz Electronic GmbH
	Filename: HDMI.SchDoc	
	Rev. 03	Page 17 of 23



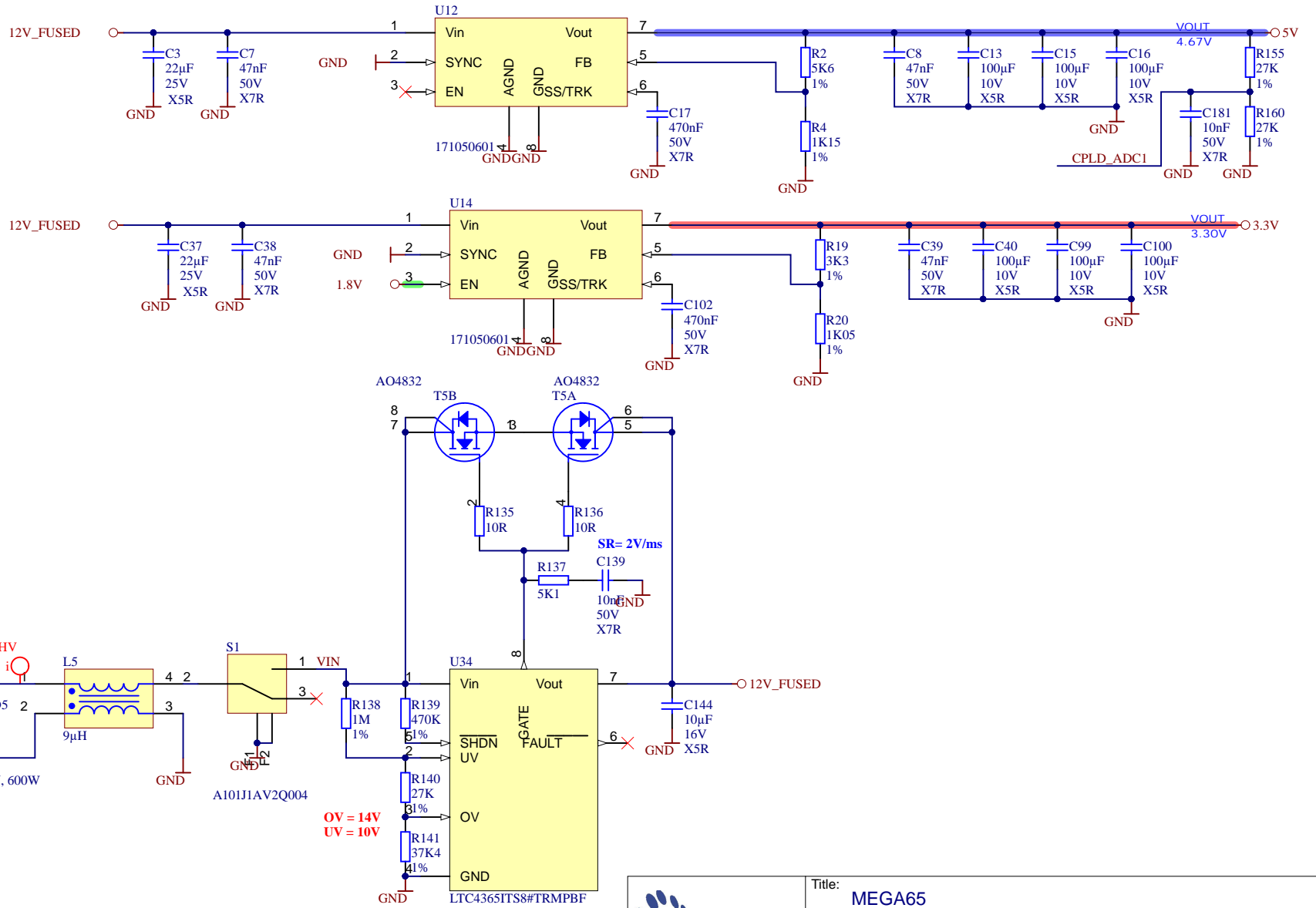
Title: MEGA65		
A4	Number: TE0765 [No Variations]	Rev. 03
Date: 2020-06-29	Copyright: Trenz Electronic GmbH	Page 18 of 23
Filename: Ethernet.SchDoc		



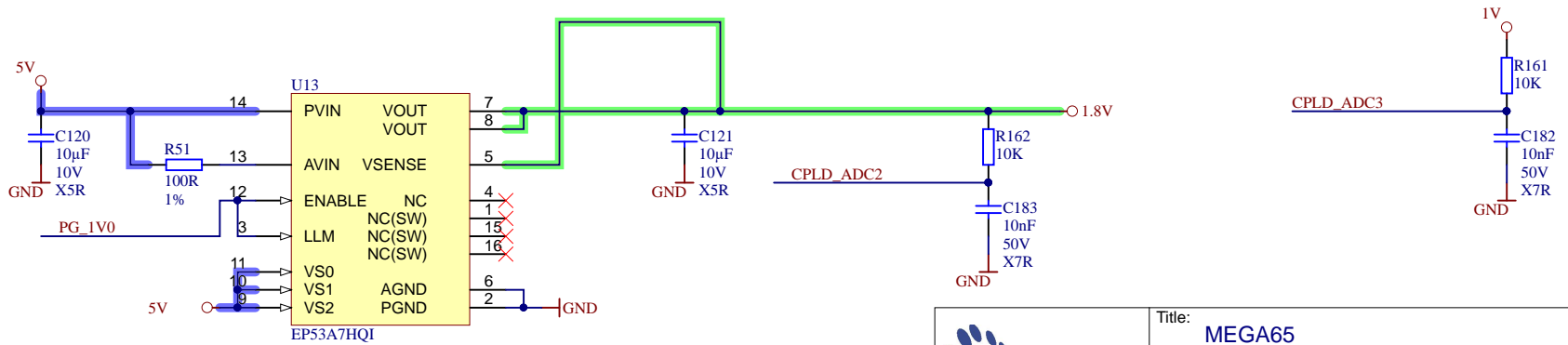
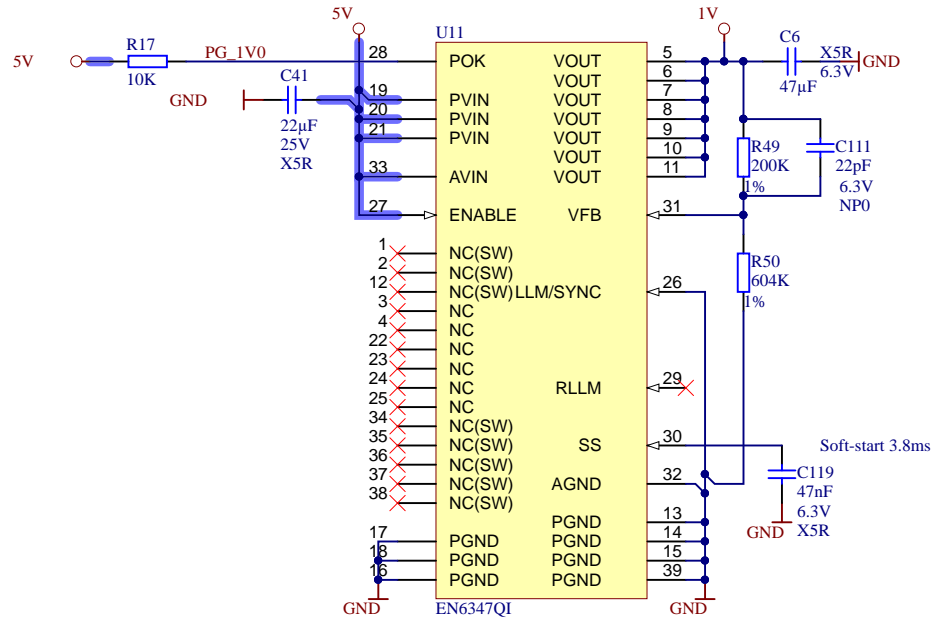
http://linux-sunxi.org/MicroSD_Breakout




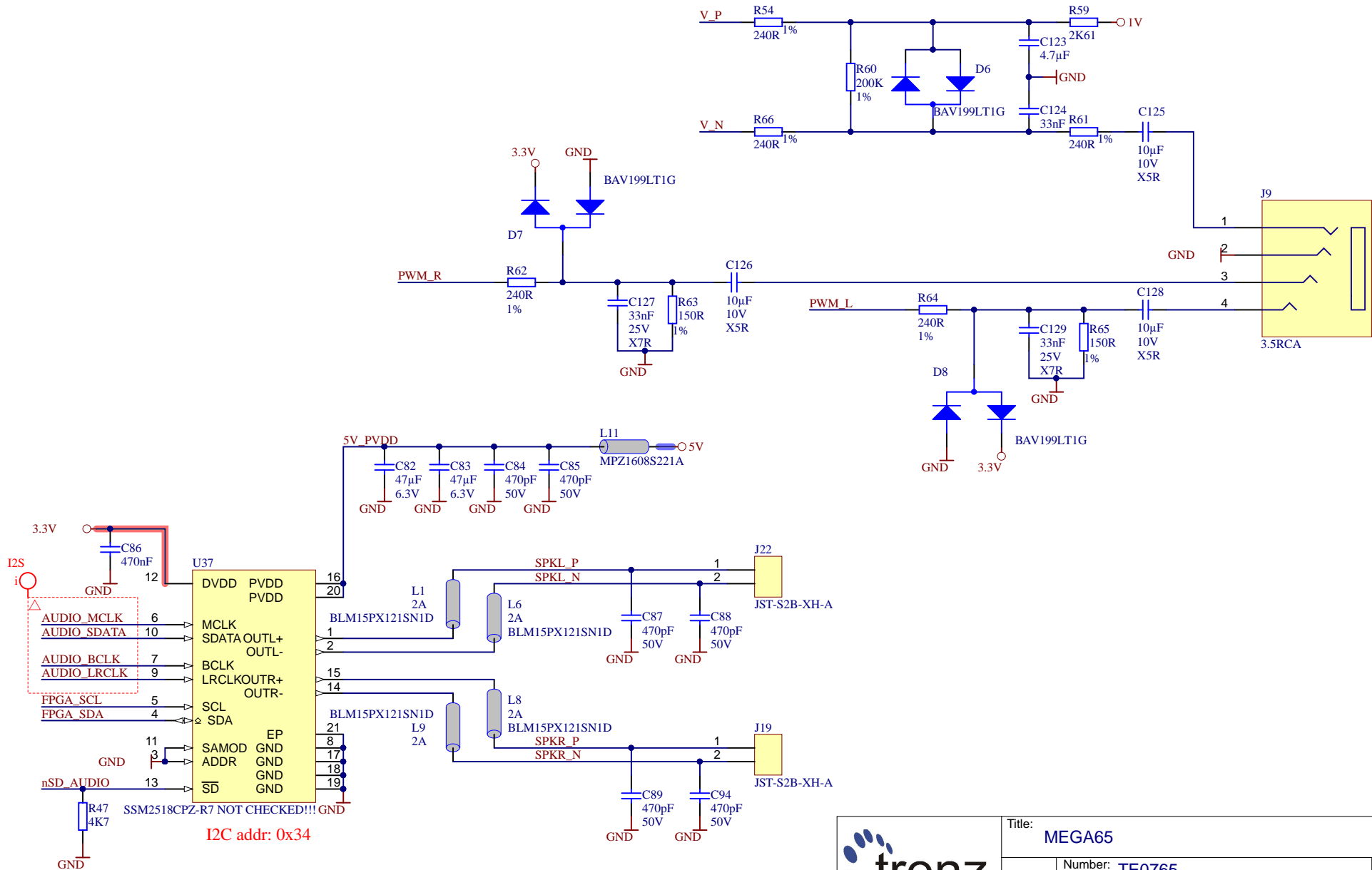
Title: MEGA65		
A4	Number: TE0765 [No Variations]	Rev. 03
Date: 2020-06-29	Copyright: Trenz Electronic GmbH	Page 19 of 23
Filename: LED_SW_BUT.SchDoc		




Title: MEGA65		
A4	Number: TE0765 [No Variations]	Rev. 03
Date: 2020-06-29	Copyright: Trenz Electronic GmbH	Page 20 of 23
Filename: PowerMain.SchDoc		




		Title: MEGA65	
		A4	Number: TE0765 [No Variations]
Date: 2020-06-29		Copyright: Trenz Electronic GmbH / TT	
Filename: POWER.SchDoc			
Page 21 of 23			



			Title: MEGA65	
			A4	Number: TE0765 [No Variations]
Date: 2020-06-29		Copyright: Trenz Electronic GmbH		Page 22 of 23
Filename: SOUND.SchDoc				

REVISION HISTORY

REV	Description	
-03	1. Added a VRP resistor on bank 65; 2. LDO U33 is changed on ADP7102ACPZ; 3. Signal FPGA IO0 is connected on AE18 pin of FPGA; 4. Signal DBG_LED3 is connected on AD18 pin of FPGA; 5. Signal MIO13_25 connected to J1 pin 33 instead MIO25. 6. Resistor R84 is removed; 7. LED D1 moved on edge of PCB; 8. Added THT testpoints J4 on CPLD_JTAGEN, R76 was removed; 9. Signals B49_XX_X are renamed in B88_XX_X; 10. C241 is changed on 1nF; 11. Length of CLK signals on RFADC and RFDAC are adjusted; 12. Wrong connection on U8 is fixed (PCB); 13. Wrong connection PGOOD1 pin of U7 is fixed;	IG

			Title: MEGA65					
			A4	Number: TE0835 [No Variations]		Rev. 03		
			Date: 2020-06-29		Copyright: Trenz Electronic GmbH		Page 23 of 23	
			Filename: Revision_Changes.SchDoc					

