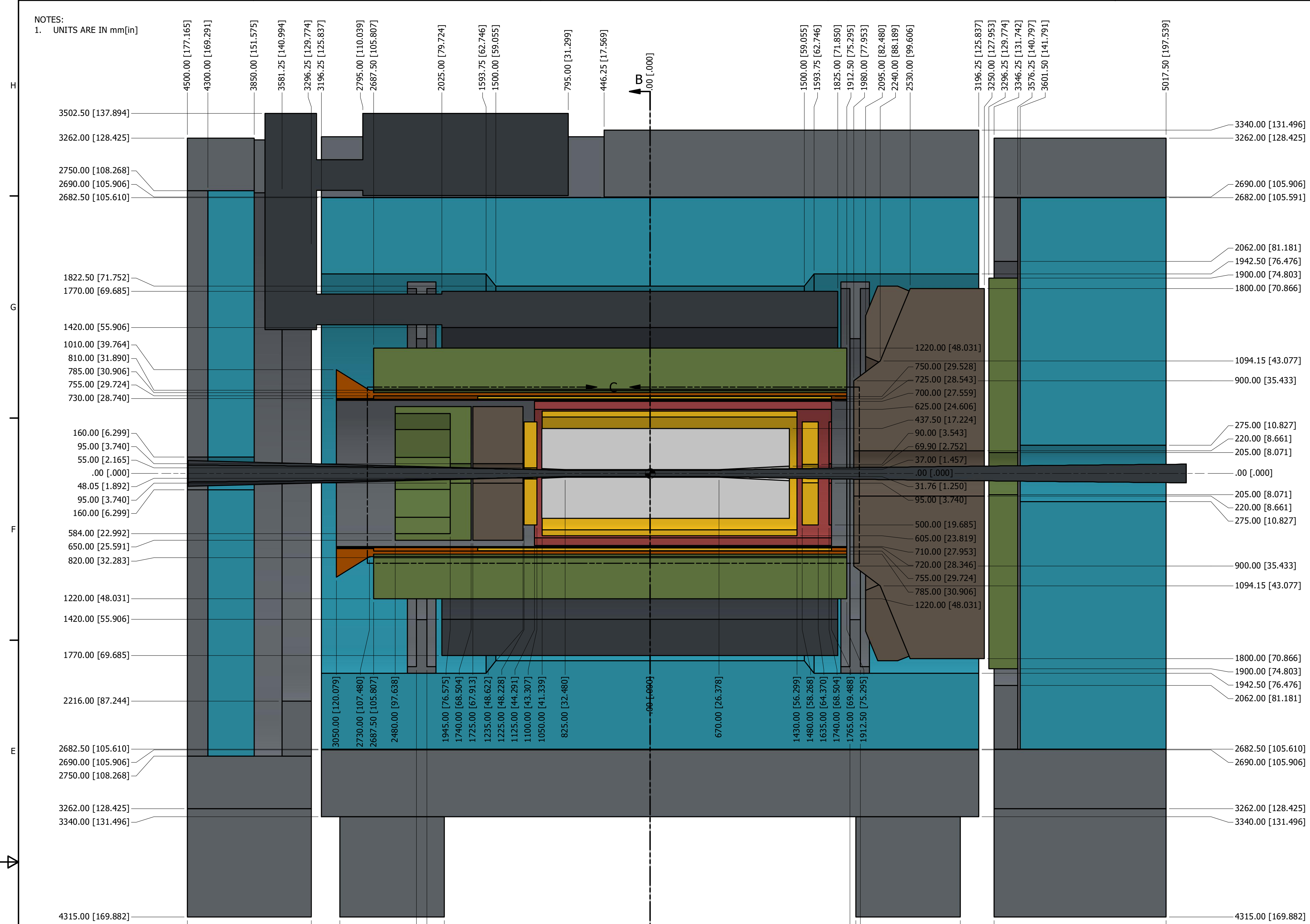
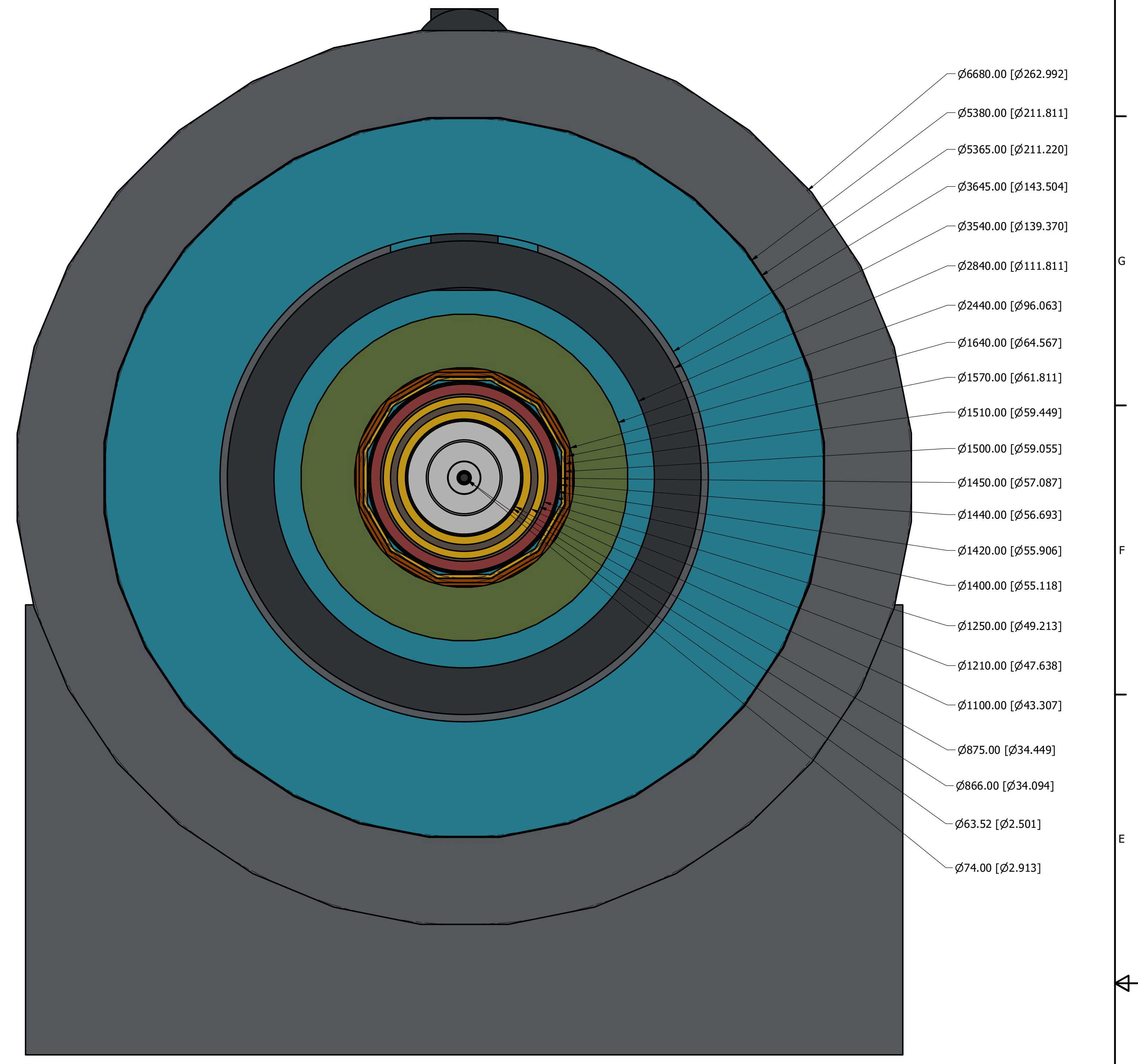


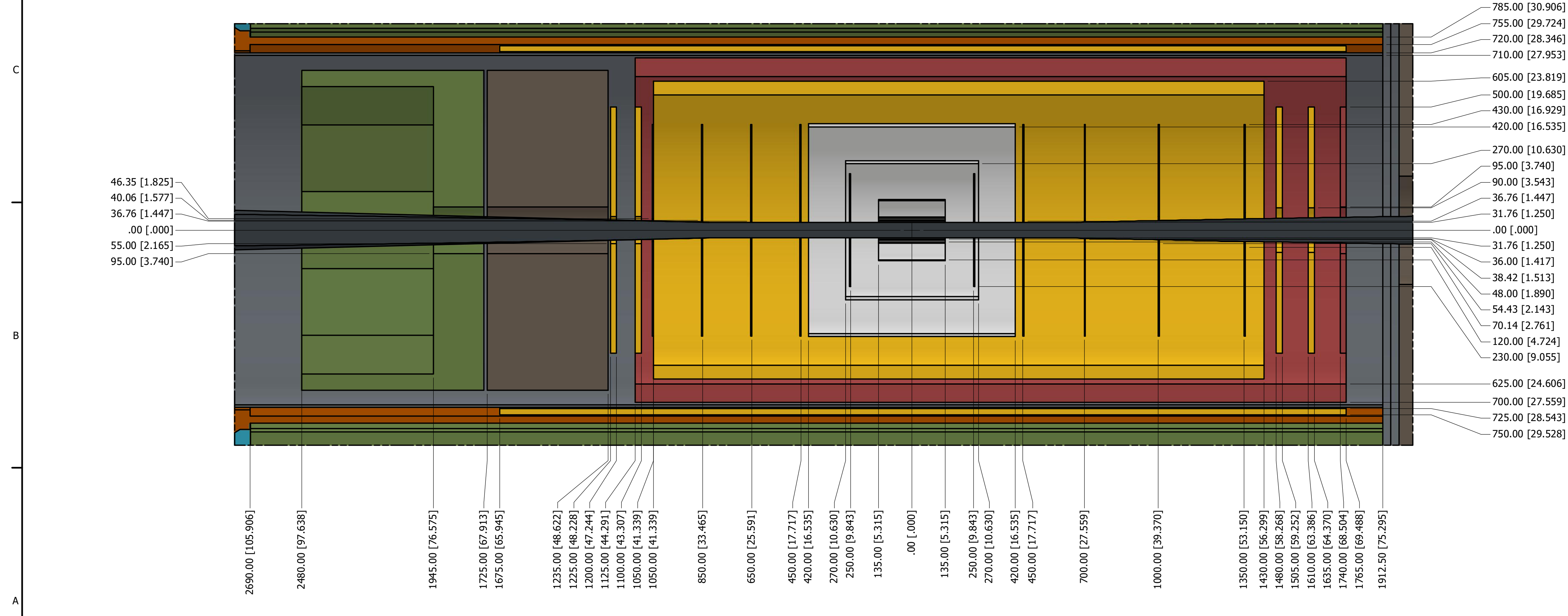
NOTES:
1. UNITS ARE IN mm[in]



SECTION A-A
SCALE 1 / 20

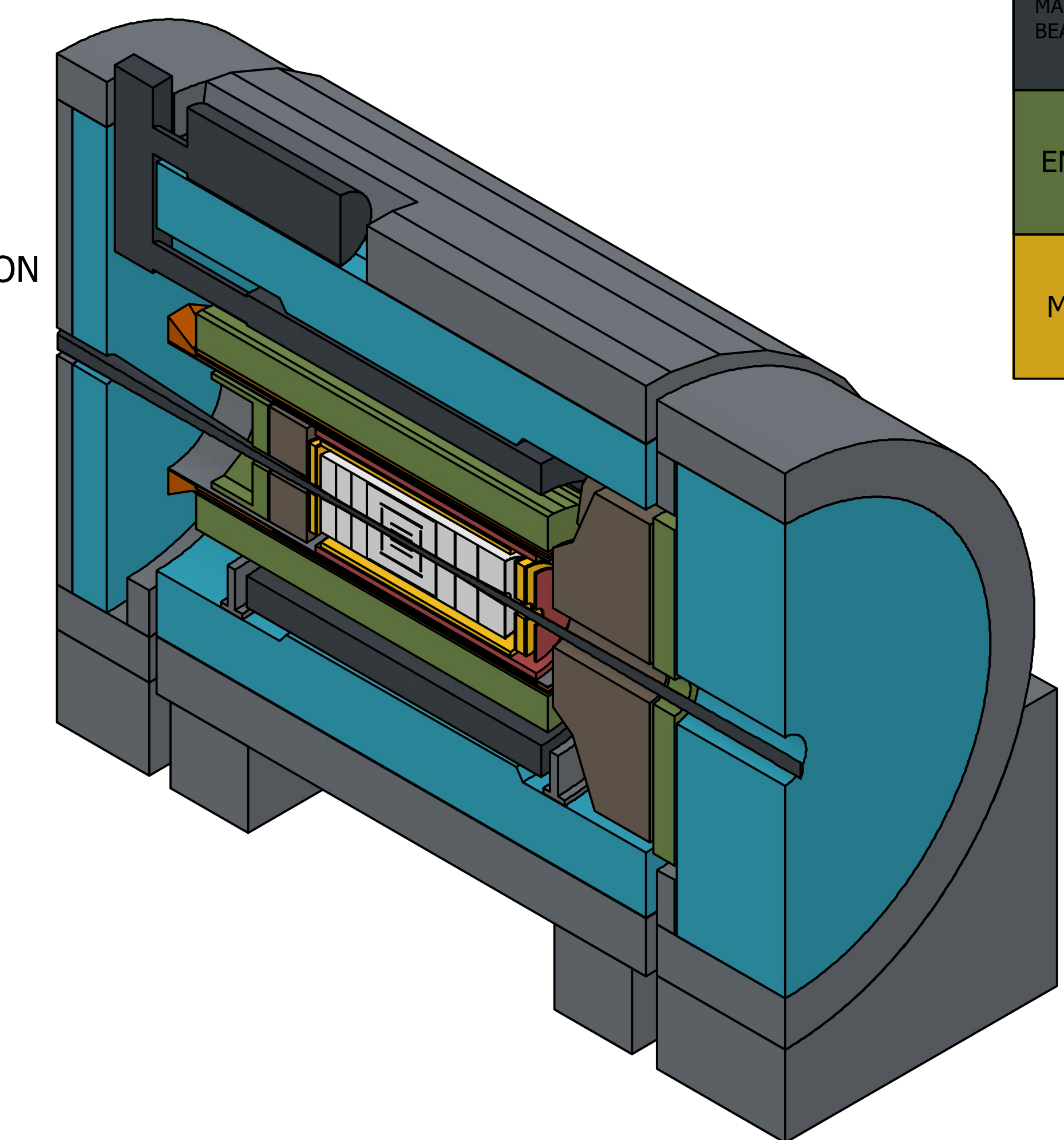


SECTION B-B
SCALE 1 / 20



DETAIL C
SCALE 1 / 10

WEST/ELECTRON



EAST/HADRON

| | | |
|--------------------|------------------------|---------|
| MAGNET & BEAM PIPE | FLUX RETURN & CARRIAGE | HCAL |
| EMCAL | RICH | DIRC |
| MPGD | AC LGAD | SILICON |

COLOR CODE

04/03/2024

| | | |
|--------------------|----------|---------------|
| DRAWN D. Cacace | 5/3/2023 | TITLE |
| CHECKED | | EPIC ENVELOPE |
| QA | | SIZE |
| MFG | | DWG NO |
| APPROVED | | REV |
| | | SCALE 1 / 20 |
| | | SHEET 1 OF 1 |