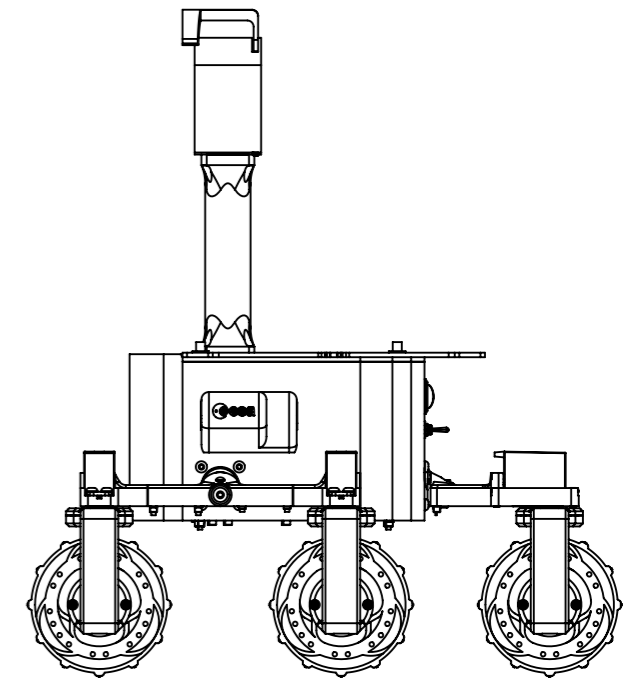
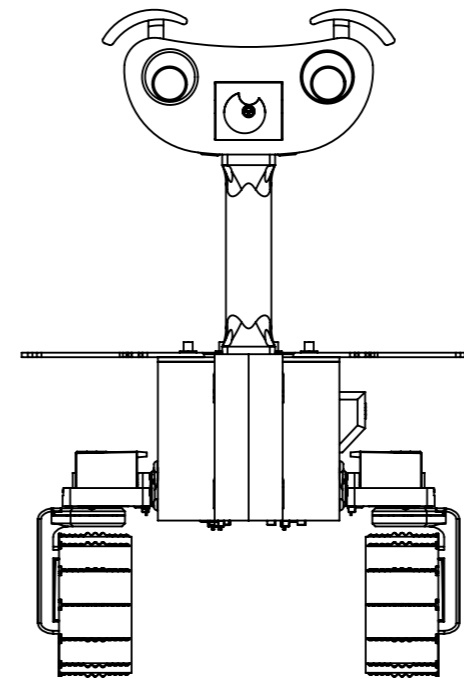
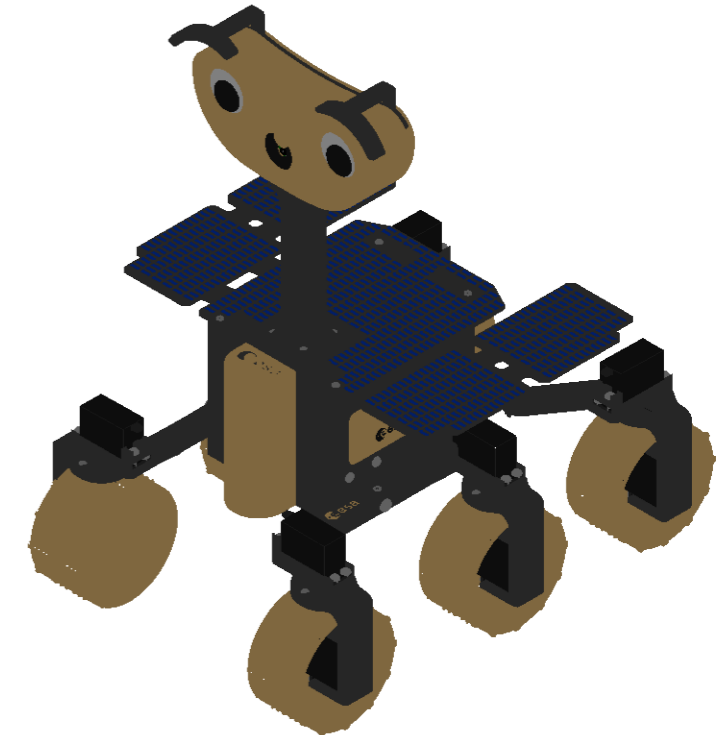
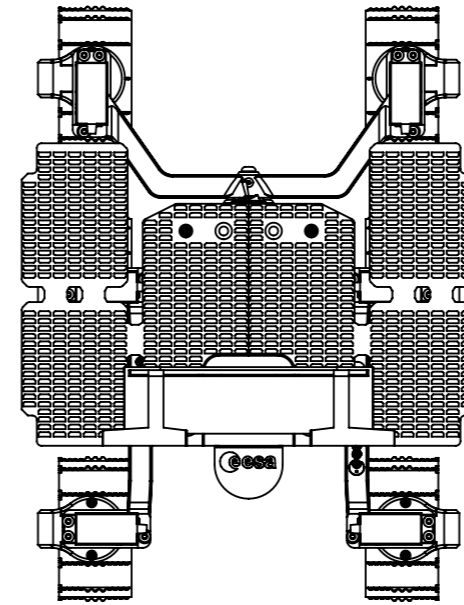



Bill of Materials			
ITEM NO.	PART NUMBER	CONFIG NAME	QTY.
1	P01_Chassis	Two Color Print	1
2	P02_Drill	Default	1
3	P03_Bogie_Bearing	Default	3
4	P15_DCDC_Holddown	Default	2
5	P04_Battery_Holddown	Default	1
6	Parallax-Servo	Steering Modded	6
7	Parallax-Servo-Horn	Default	12
8	Parallax-Servo-Screw	Default	12
9	P28_Wheel_Bracket_Split	Left Wiring	3
10	Parallax-Servo	Continuous	6
11	P29_Wheel_Bracket_Fixing_Plate	Default	6
12	P30_Wheel	Default	6
13	P32_Wheel_Fixing_Plate_U_Shape	Default	6
14	Button Head M4x10	Button Head M4x10	54
15	SCB3_8	Socket Head M3x8	51
16	P28_Wheel_Bracket_Split	Right Wiring	3
17	P19_Bogie	Two Color Print	1
18	P17_Bogie_Cable_Cover	Rear Cover	1
19	Button Head M4x16	Button Head M4x16	6
20	SFB3_6	Countersink Head M3x6	11
21	Button Head M5x30	Button Head M5x30	3
22	Zip_Tie	Bogie	6
23	Servo Extension Cable	Left	1
24	Servo Extension Cable	Right	1
25	Servo Extension Cable	Default	6
26	P19_Bogie	Side	2
27	P17_Bogie_Cable_Cover	Two Color Print	2
28	Zip_Tie	Body	7
29	P13_Port_Cover	Default	1
30	P14_Raspi_Holder	Default	2
31	P11_Top	Default	1
32	P20_Head	Default	1
33	P22_Eye_White	Default	2
34	P23_Eye_Pupil	Default	2
35	P24_Mouth_Latch	Default	1
36	P25_Mouth	Grin	1
37	P33_Cam_Holder_Flat	Default	1
38	Raspberry Pi Camera V2	Default	1
39	P26_Hat	Eyebrows	1
40	SCB2_5	Socket Head M2x5	4
41	P21_Mast	Default	1
42	P12_Solar_Panel	Right	1
43	P12_Solar_Panel	Left	1
44	Raspberry Pi 4 Model B	Default	1
45	Adafruit PWM Servo HAT	Default	1
46	USB-C Plug	Default	1
47	USB-Dongle	GamePad	1
48	DC_DC_VMA404	Default	2
49	Conrad LiPo 3S 3000mAh - 1344138	Default	1
50	Toggle Switch	Default	1
51	Rocker Switch	Default	1
52	Battery Alarm	Default	1
53	Long_Camera_Cabel	Default	1
54	Power_Switch_to_DCDC_Cable	Default	1
55	XT-60_Macho_Male_Pins	Default	1
56	DCDC_to_PWM_Board_Cable	Default	1
57	Switches_to_DCDC_Cable	Default	1
58	Battery_to_Switch_Cable	Default	1
59	SCB3_20	Socket Head M3x20	4
60	M3-Insert	Brass Insert M3	4
61	M2_5x11	Standoff M2.5x11	3
62	Phillips Head M2.5x6	Phillips Head M2.5x6	3
63	Zip_Tie	Body Wide	2
64	Shrink_Tube	Default	8



UNLESS OTHERWISE SPECIFIED: DIMENSIONS ARE IN MILLIMETERS SURFACE FINISH: TOLERANCES: LINEAR: ANGULAR:		FINISH: Pretty	DEBURR AND BREAK SHARP EDGES	DO NOT SCALE DRAWING	REVISION
DRAWN Miro Voellmy			DATE 02.03.2020	 TITLE: DWG NO.	
CHK'D					
APPV'D					
MFG					
Q.A			MATERIAL: PLA (mostly)	SCALE:1:10	SHEET 1 OF 1

PI_ExoMy_All_Parts_BOM A3