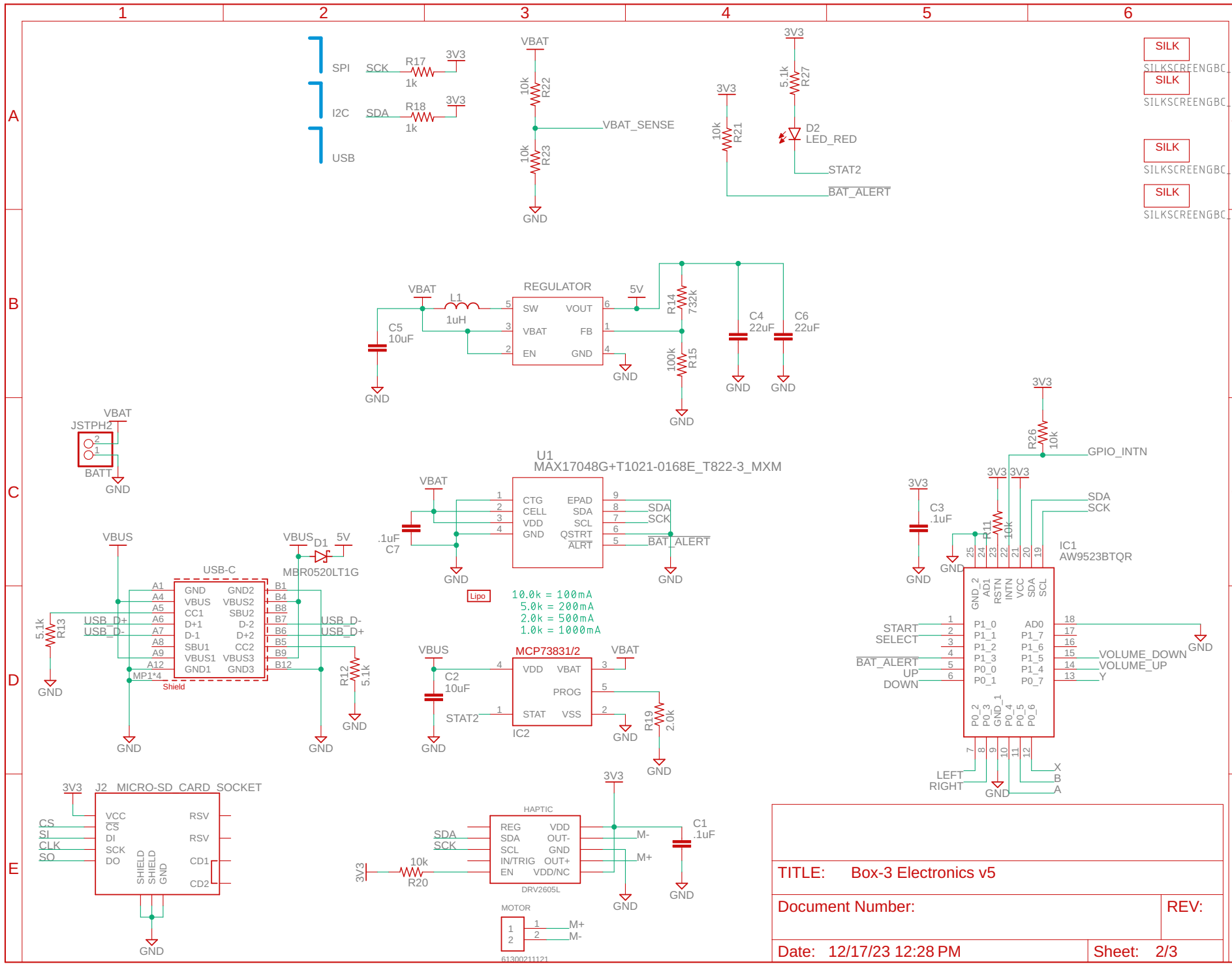


TITLE: Box-3 Electronics v5	
Document Number:	REV:
Date: 12/17/23 12:28 PM	Sheet: 1/3



SILK  
SILKSCREENENGBC\_ID-PAD

SILK  
SILKSCREENENGBC\_START/SELECT

SILK  
SILKSCREENENGBC\_A/B

SILK  
SILKSCREENENGBC\_A/B

TITLE: Box-3 Electronics v5	
Document Number:	REV:
Date: 12/17/23 12:28 PM	Sheet: 2/3

61300211121

1

2

3

4

5

6

A

A

B

B

C

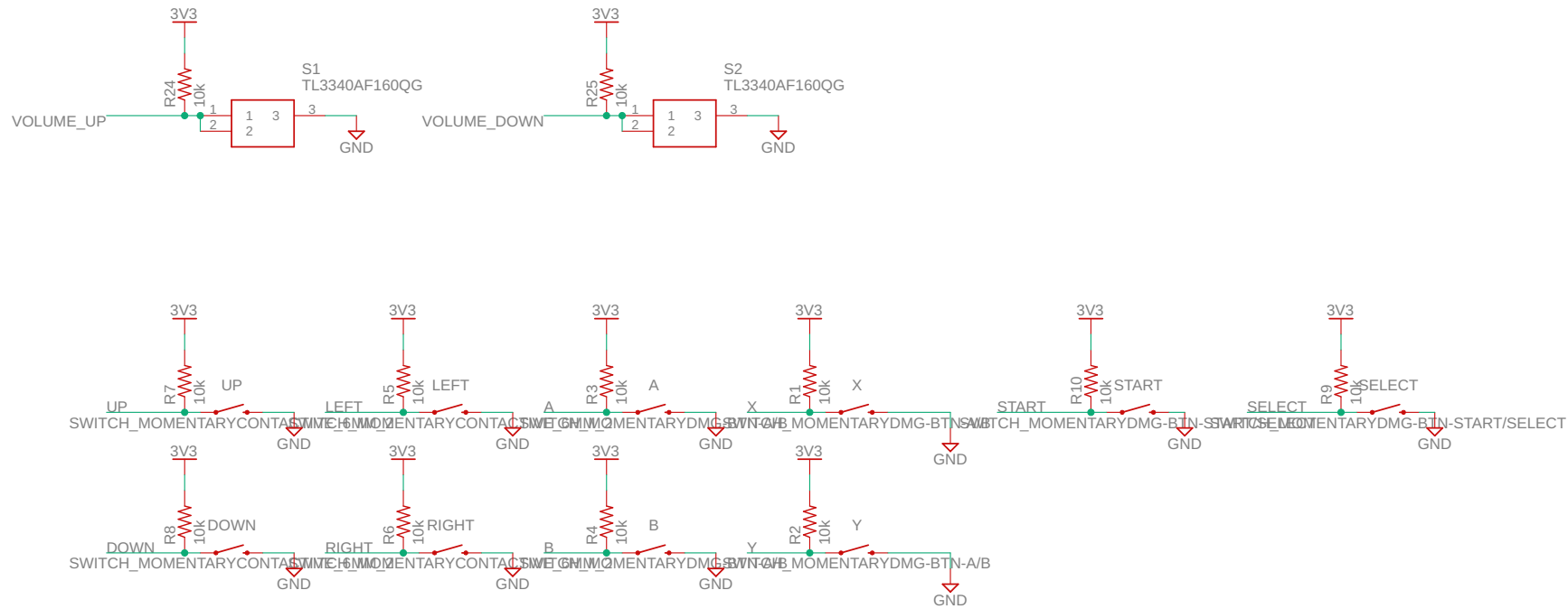
C

D

D

E

E



TITLE: Box-3 Electronics v5	
Document Number:	REV:
Date: 12/17/23 12:28 PM	Sheet: 3/3