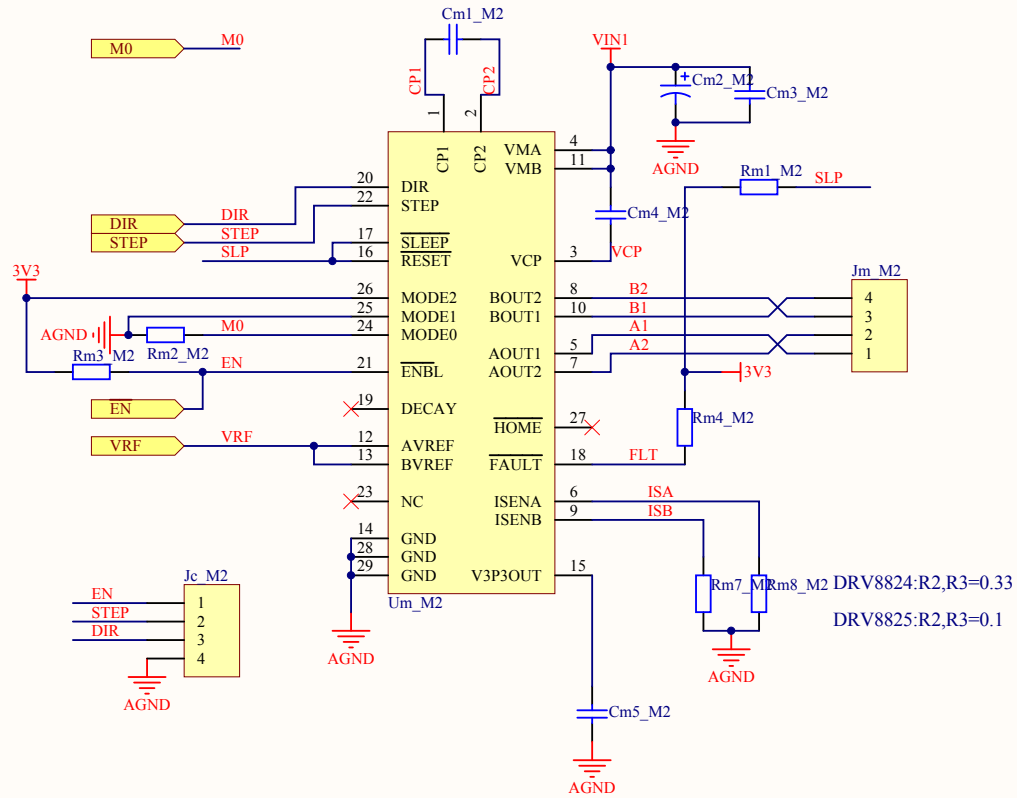
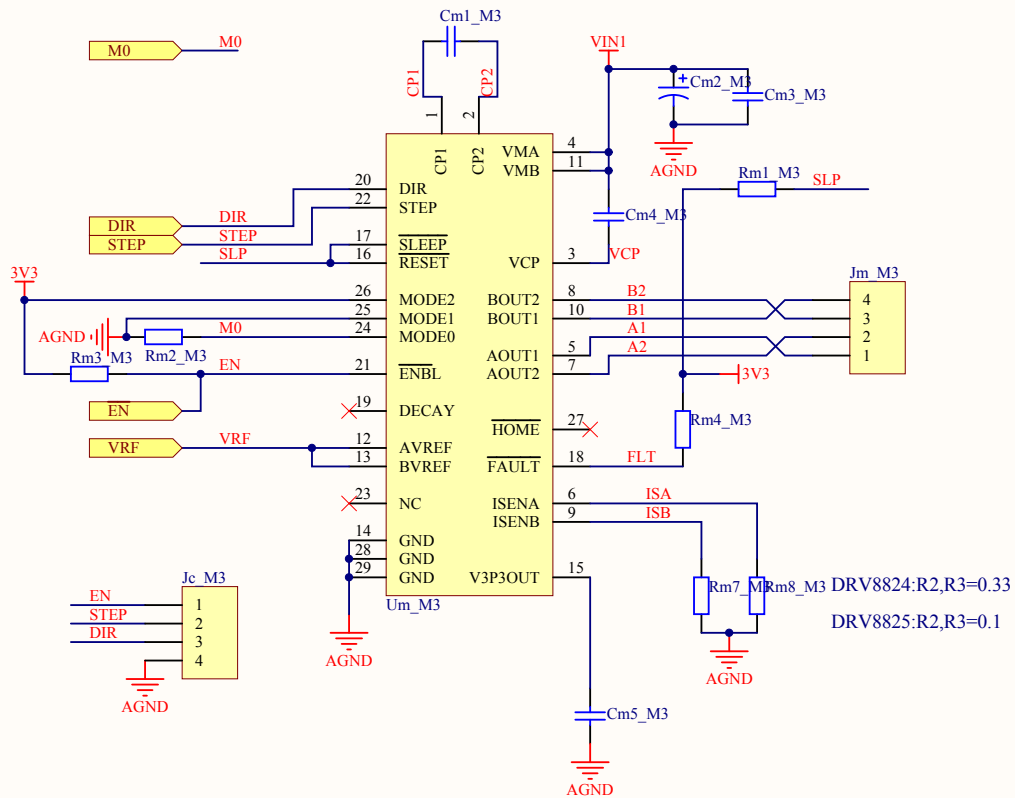


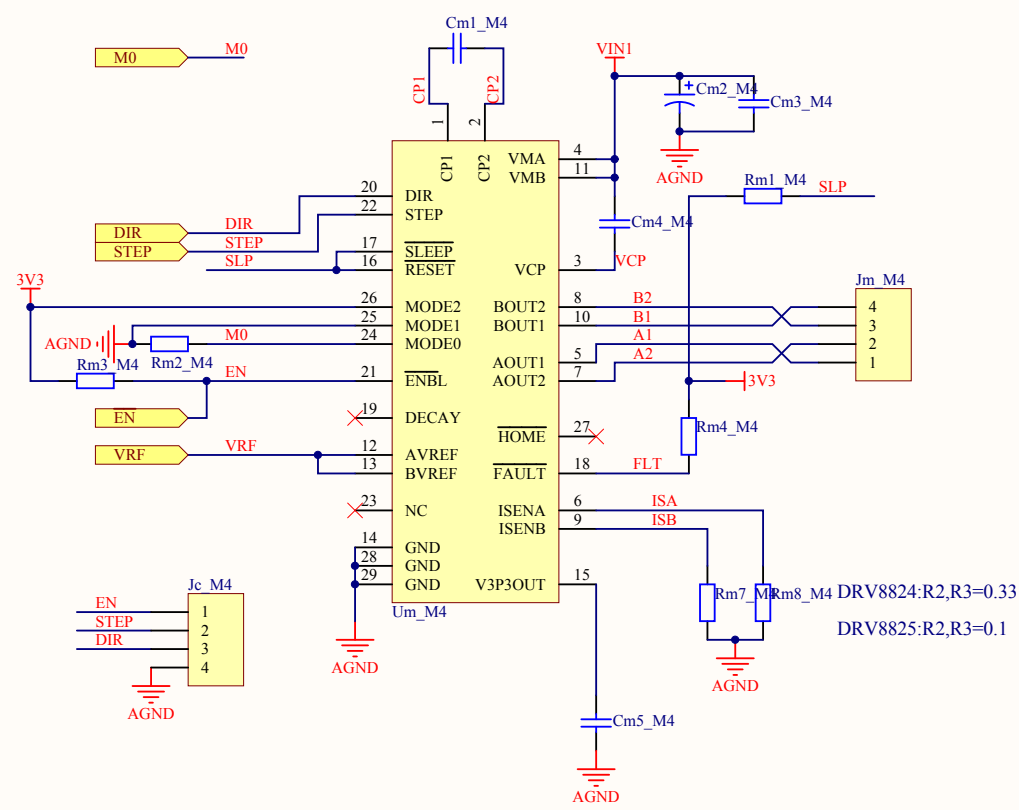
Title		
Size	Number	Revision
A4		
Date:	2016/1/22	Sheet of
File:	E:\work_\DRV8825.SchDoc	Drawn By:



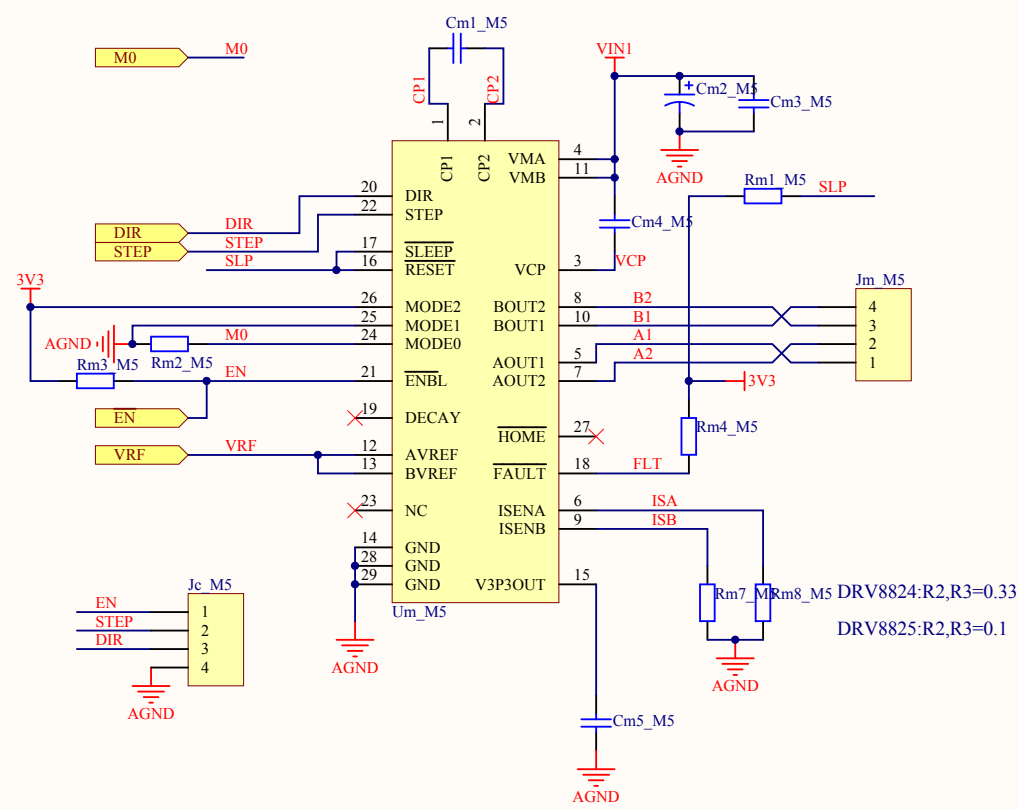
Title		
Size	Number	Revision
A4		
Date:	2016/1/22	Sheet of
File:	E:\work\...\DRV8825.SchDoc	Drawn By:



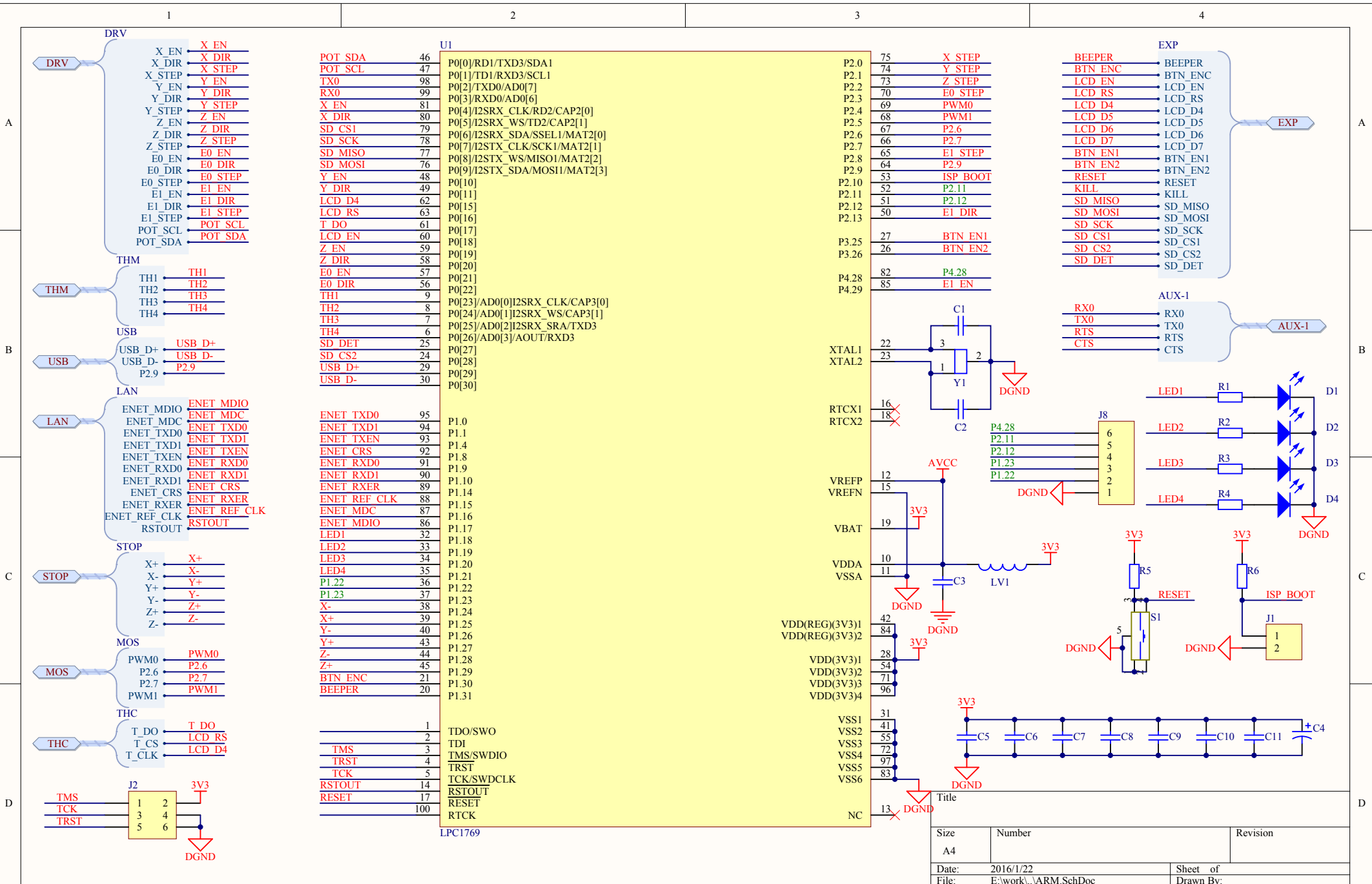
Title		
Size	Number	Revision
A4		
Date:	2016/1/22	Sheet of
File:	E:\work\...\DRV8825.SchDoc	Drawn By:



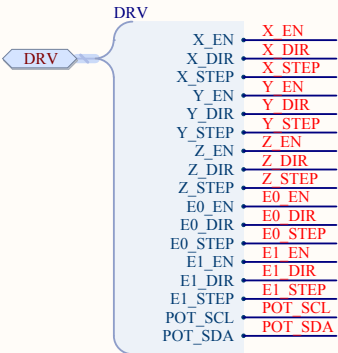
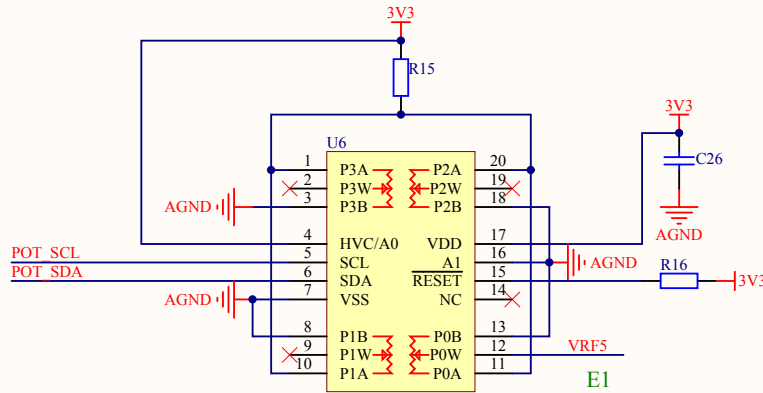
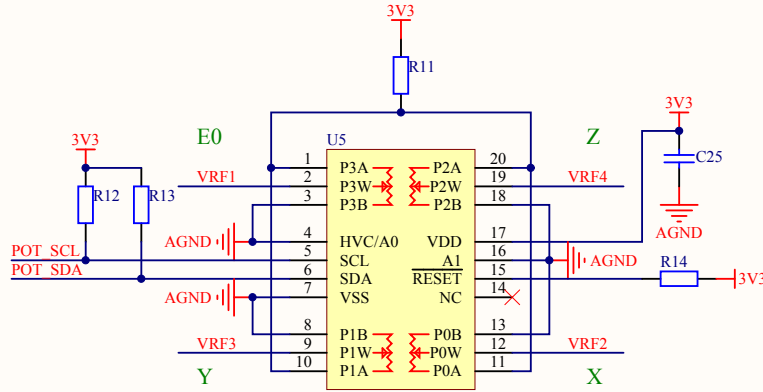
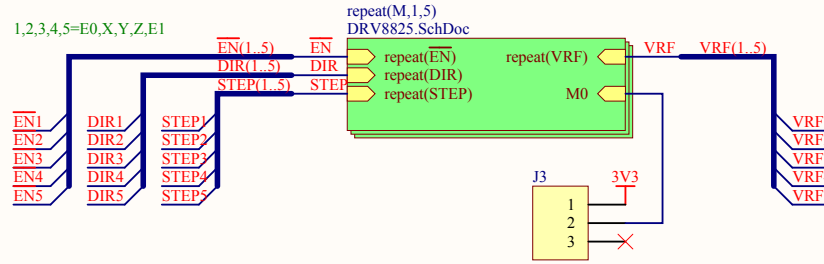
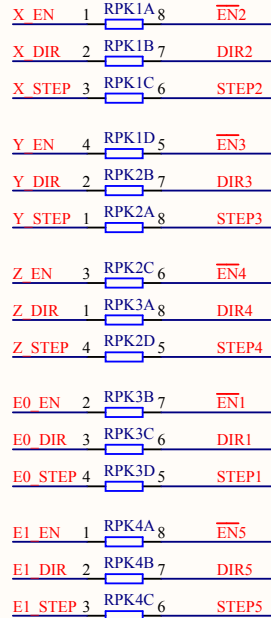
Title		
Size	Number	Revision
A4		
Date:	2016/1/22	Sheet of
File:	E:\work\...\DRV8825.SchDoc	Drawn By:



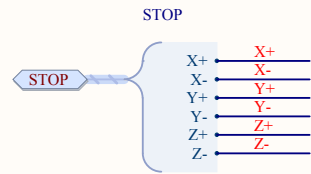
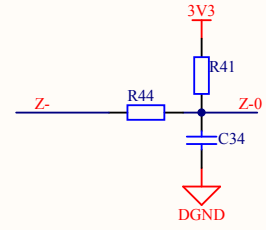
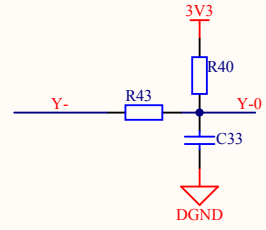
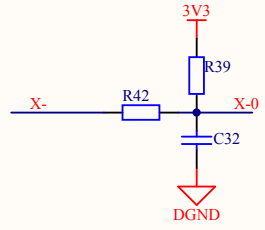
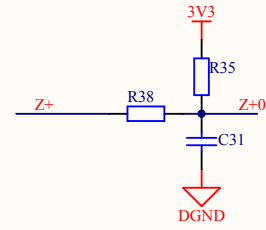
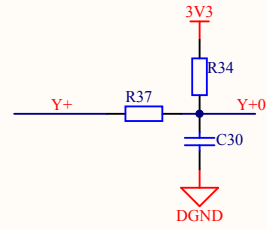
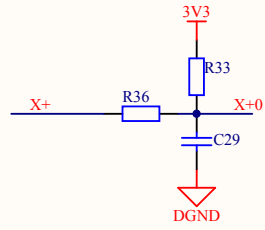
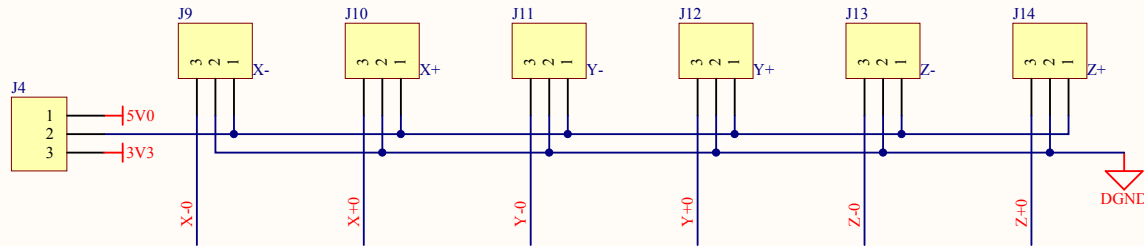
Title		
Size	Number	Revision
A4		
Date:	2016/1/22	Sheet of
File:	E:\work\...\DRV8825.SchDoc	Drawn By:



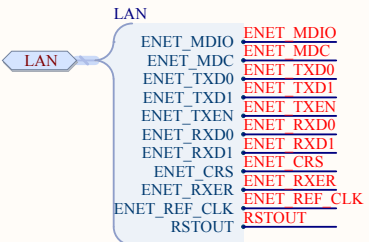
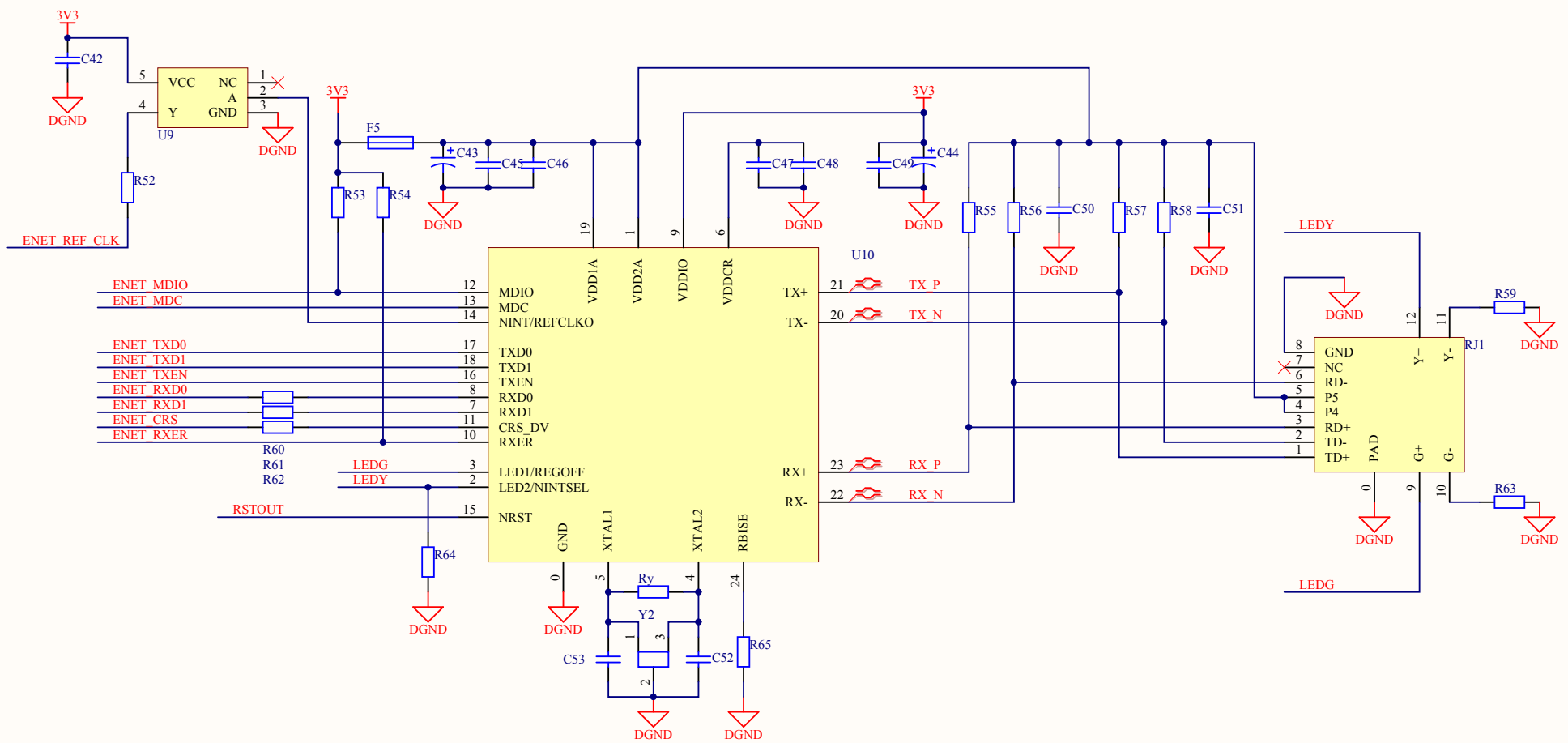
Size	Number	Revision
A4		
Date:	2016/1/22	Sheet of
File:	E:\work\ARM.SchDoc	Drawn By:



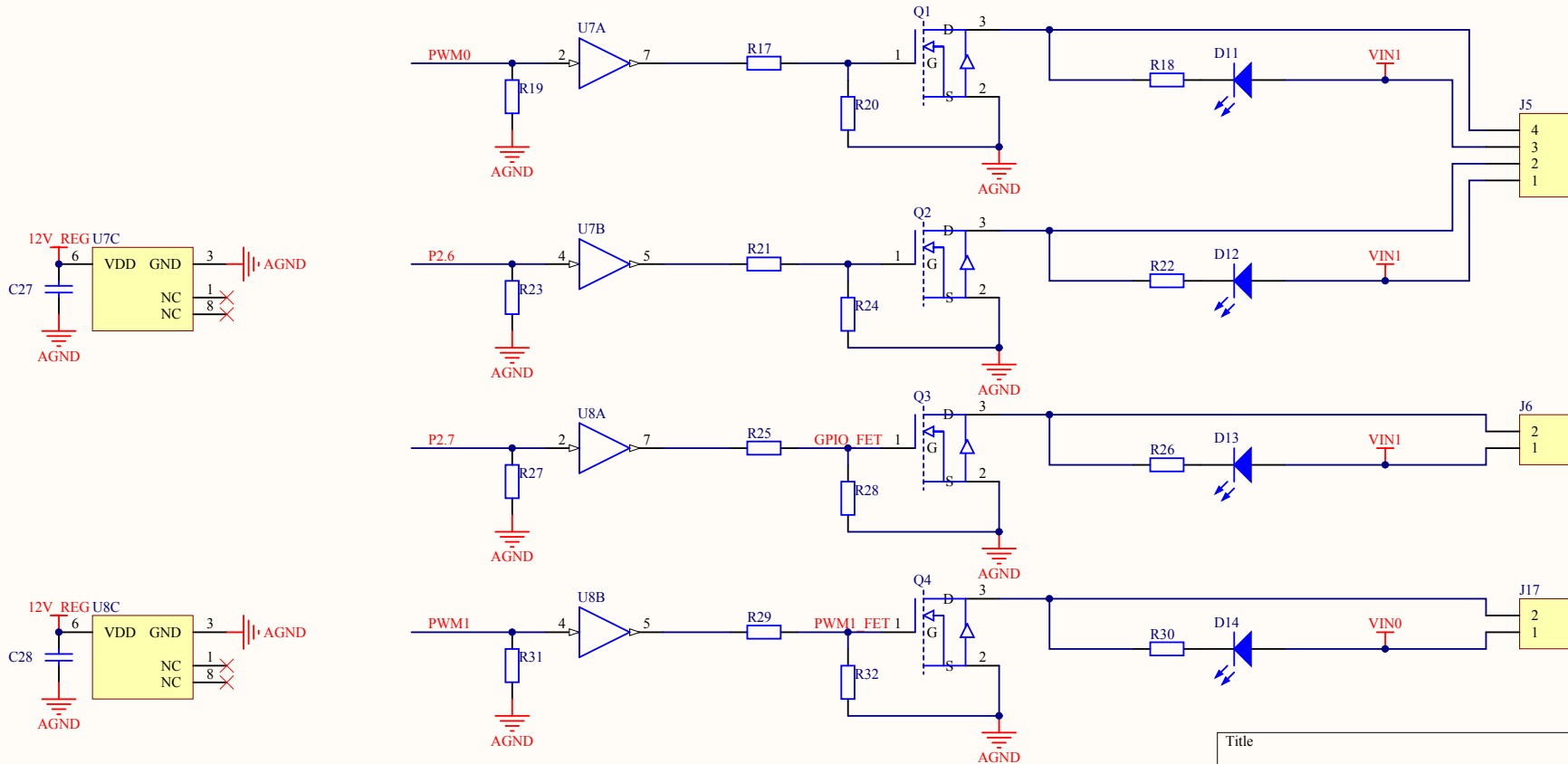
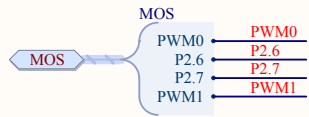
Title		
Size	Number	Revision
A4		
Date:	2016/1/22	Sheet of
File:	E:\work\DRIVER.SchDoc	Drawn By:



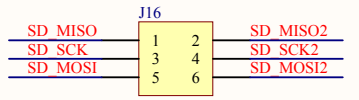
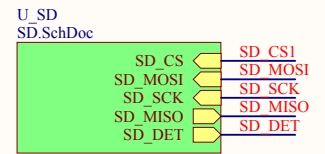
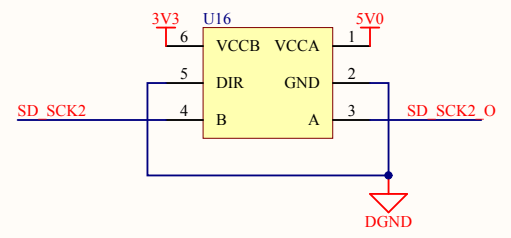
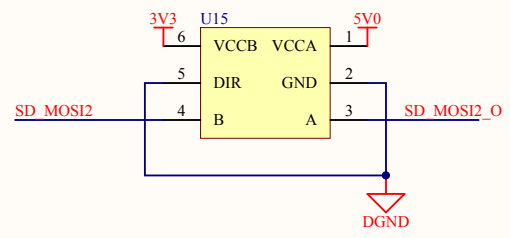
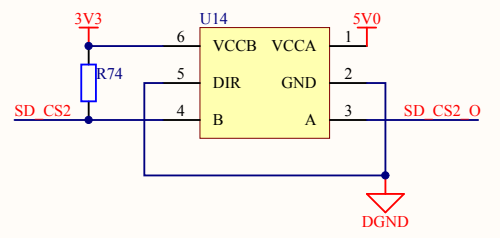
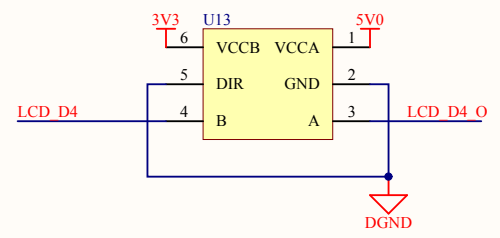
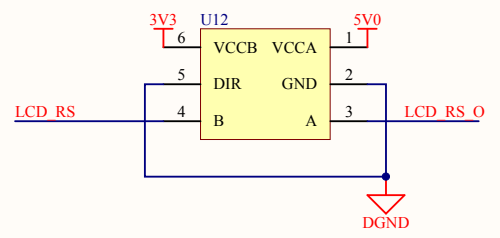
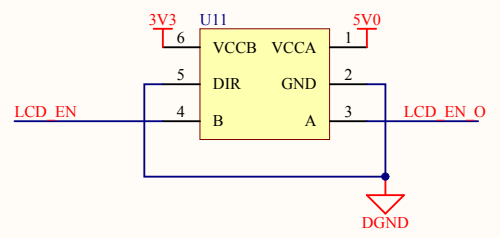
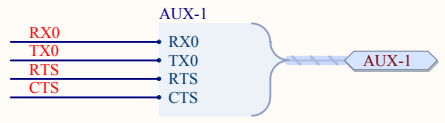
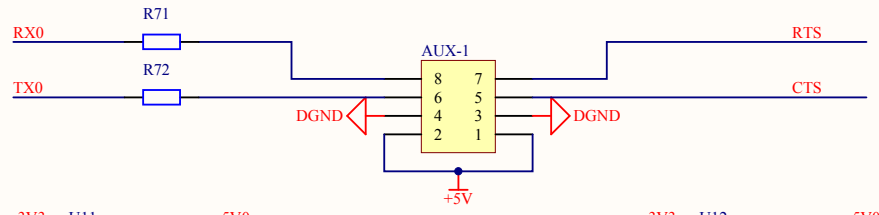
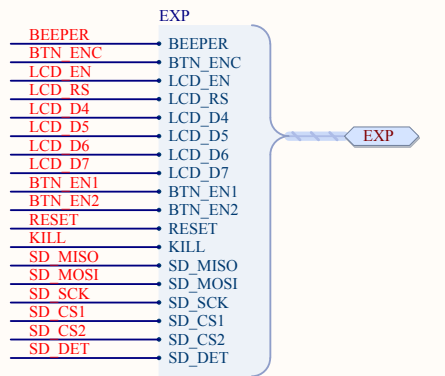
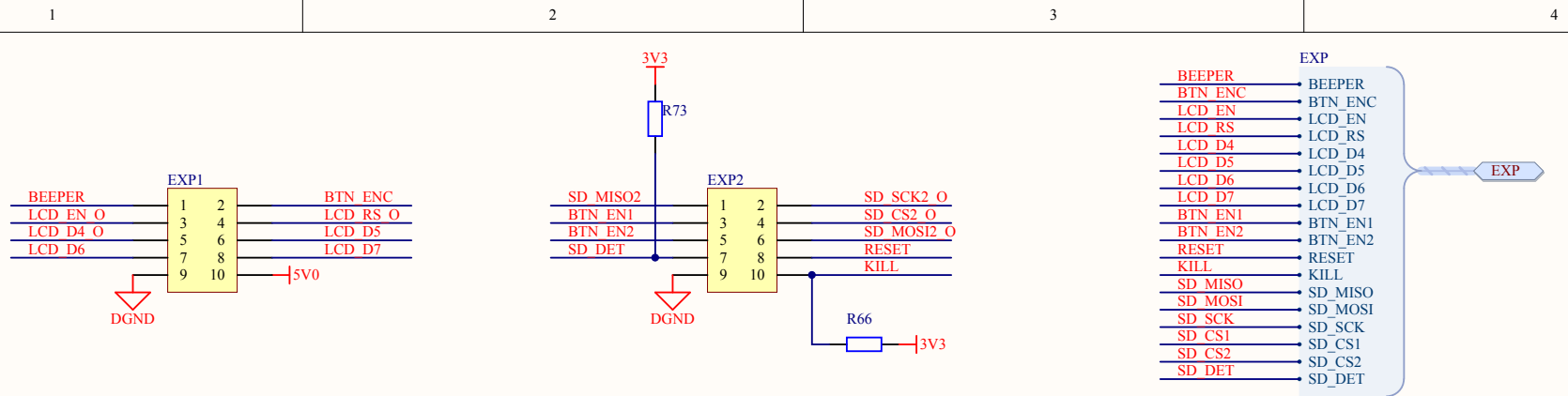
Title		
Size	Number	Revision
A4		
Date:	2016/1/22	Sheet of
File:	E:\work\...\ENDstops.SchDoc	Drawn By:



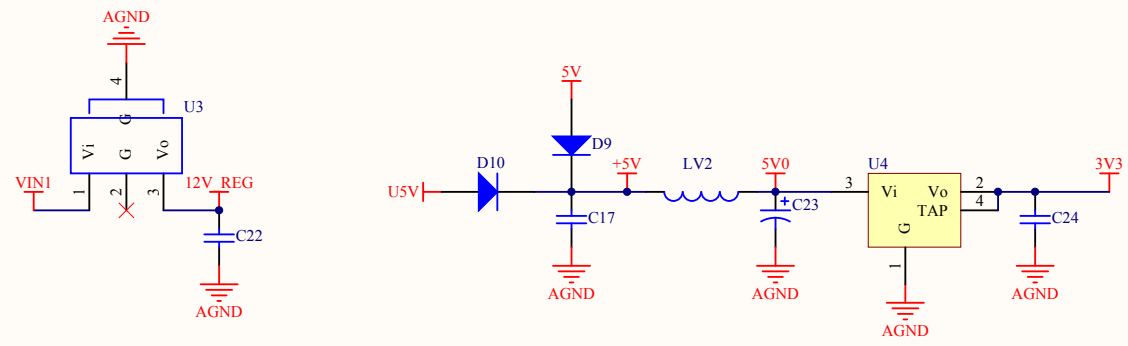
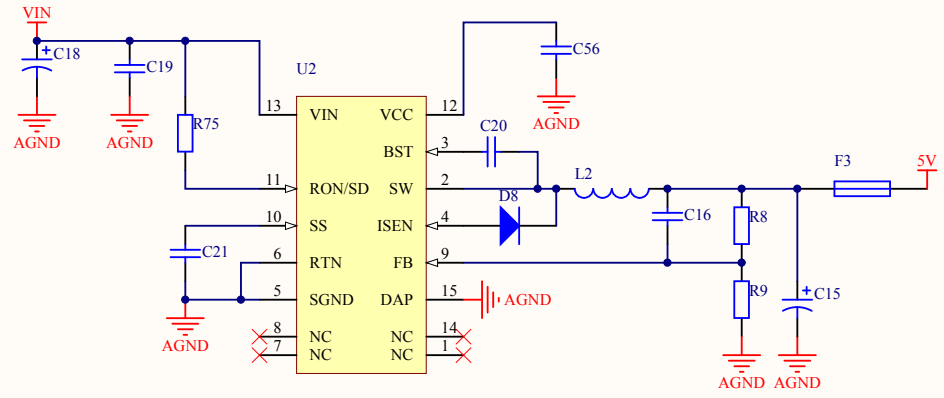
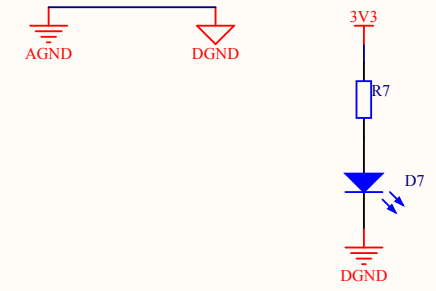
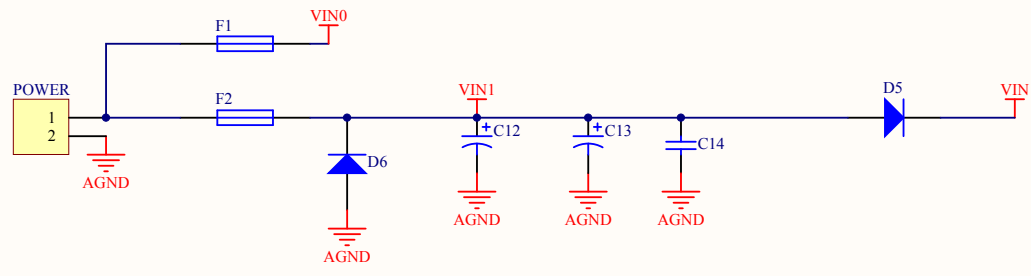
Title		
Size	Number	Revision
A4		
Date:	2016/1/22	Sheet of
File:	E:\work\LAN.SchDoc	Drawn By:



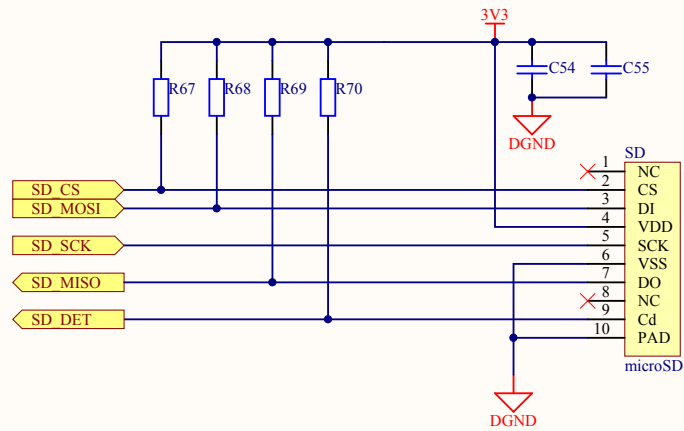
Title		
Size	Number	Revision
A4		
Date:	2016/1/22	Sheet of
File:	E:\work\1\MOSFET.SchDoc	Drawn By:



Title		
Size	Number	Revision
A4		
Date:	2016/1/22	Sheet of
File:	E:\work\AUX-AUX.SchDoc	Drawn By:



Title		
Size	Number	Revision
A4		
Date:	2016/1/22	Sheet of
File:	E:\work\Power.SchDoc	Drawn By:



Title		
Size	Number	Revision
A4		
Date:	2016/1/22	Sheet of
File:	E:\work\SD.SchDoc	Drawn By:

1

2

3

4

A

A

B

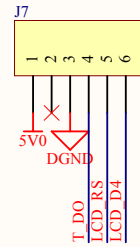
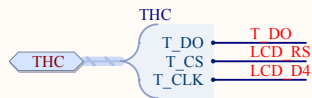
B

C

C

D

D



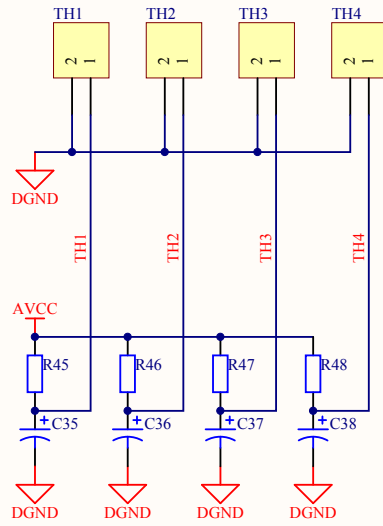
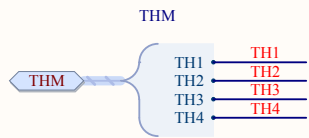
Title		
Size A4	Number	Revision
Date:	2016/1/22	Sheet of
File:	E:\work\THC.SchDoc	Drawn By:

1

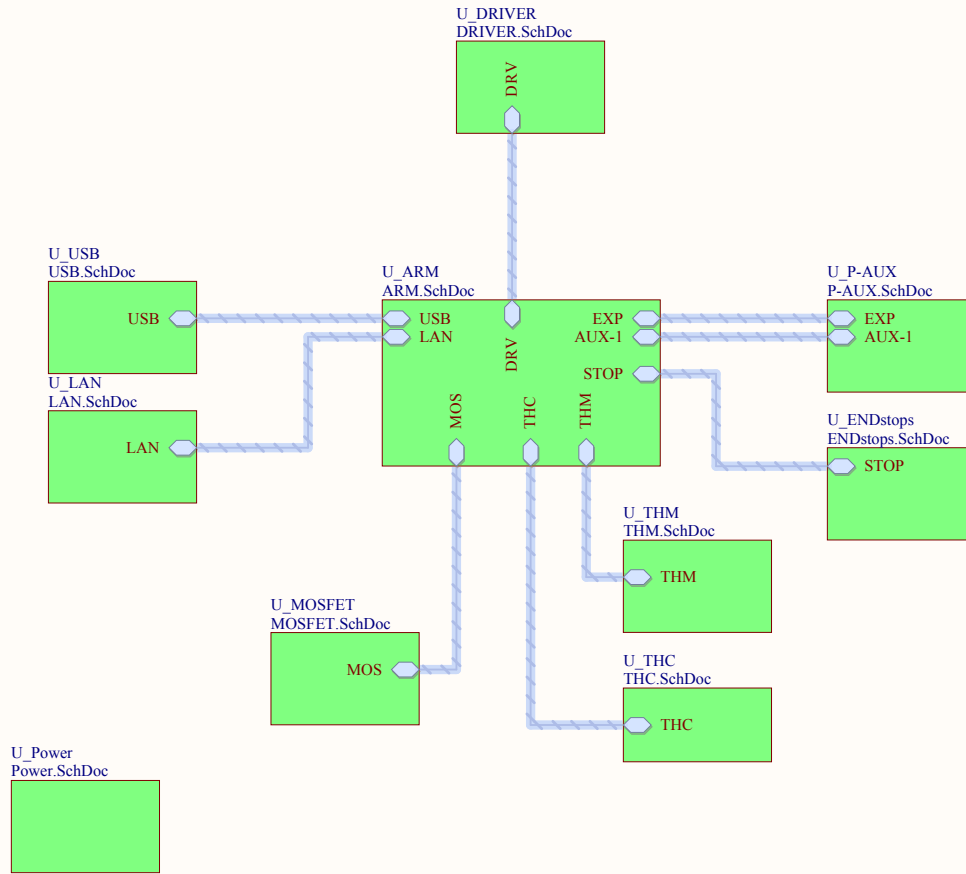
2

3

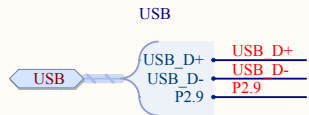
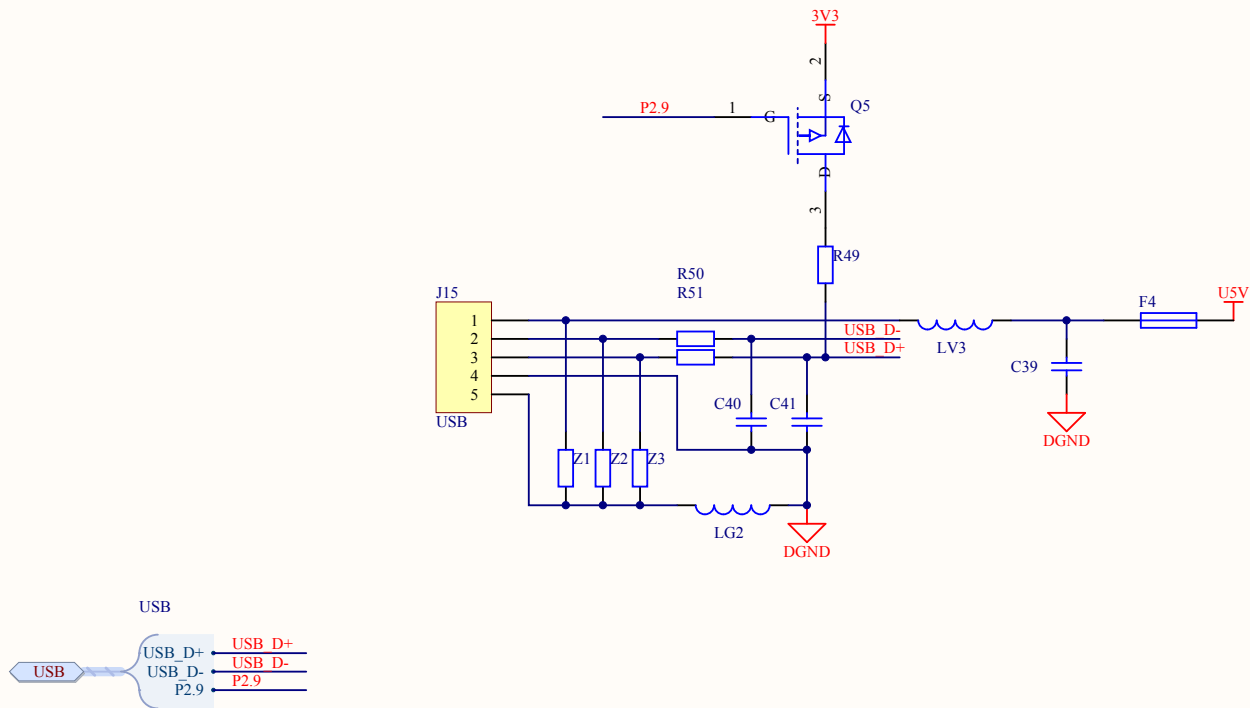
4



Title		
Size A4	Number	Revision
Date:	2016/1/22	Sheet of
File:	E:\work\THM.SchDoc	Drawn By:



Title		
Size	Number	Revision
A4		
Date:	2016/1/22	Sheet of
File:	E:\work\TOP.SchDoc	Drawn By:



Title		
Size	Number	Revision
A4		
Date:	2016/1/22	Sheet of
File:	E:\work\USB.SchDoc	Drawn By:

J8

X

Y

Z

E0

E1

GND	P1.22	P1.23	P2.12	P2.11	P4.28
-----	-------	-------	-------	-------	-------

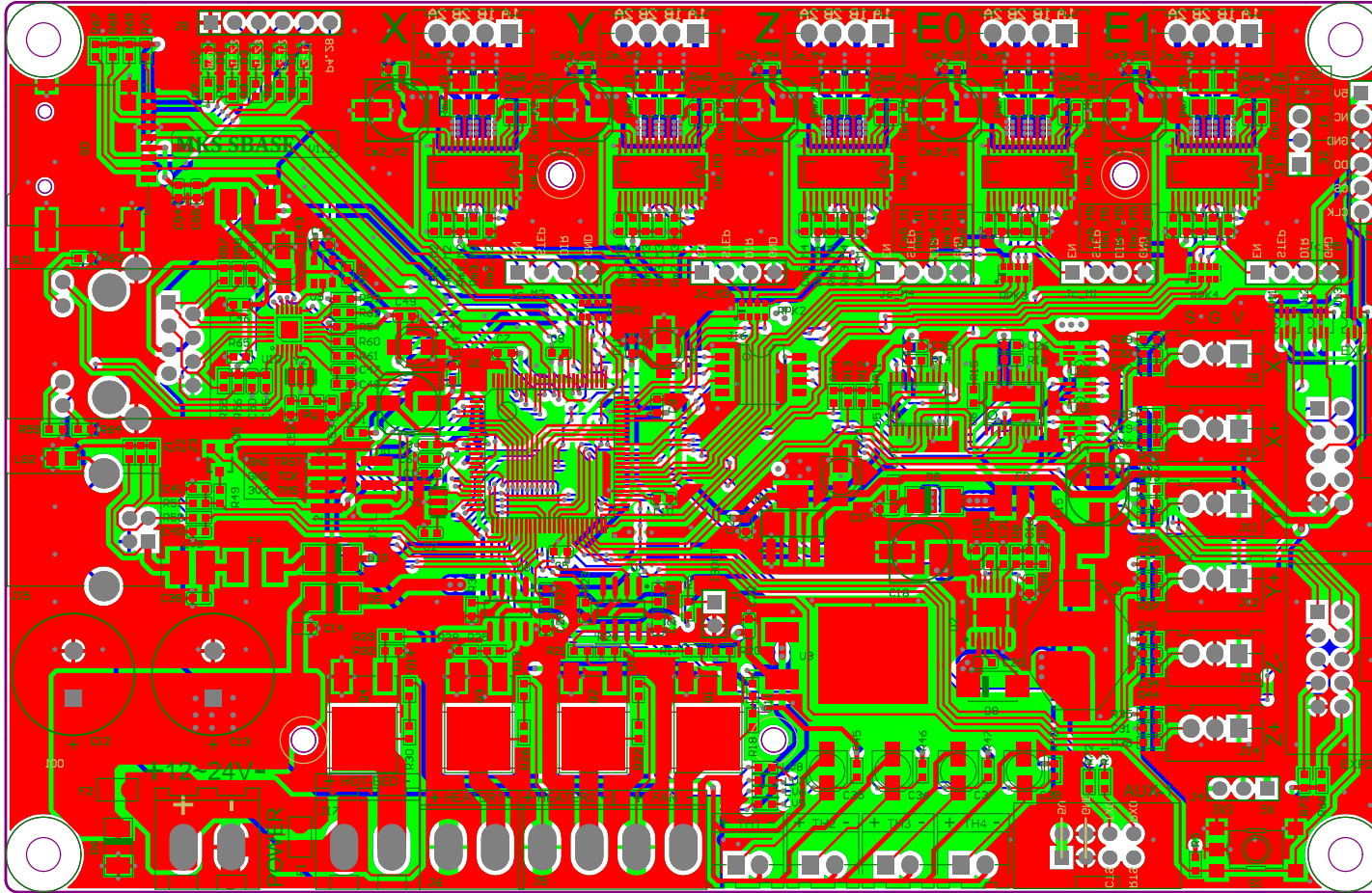
2B	2A	1A	1B
----	----	----	----

2B	2A	1A	1B
----	----	----	----

2B	2A	1A	1B
----	----	----	----

2B	2A	1A	1B
----	----	----	----

2B	2A	1A	1B
----	----	----	----



P0.4	P2.0	P0.5	GND	X	5V
P0.10	P2.1	P0.11	GND	Y	NC
P0.19	P2.2	P0.20	GND	Z	GND
P0.21	P2.3	P0.22	GND	E0	P0.17
P4.29	P2.8	P2.13	GND	E1	P0.16
					P0.14 J7

P1.24	GND	5V	X-	P1.31	P1.30	EXP1
P1.25	GND	5V	X+	P0.18	P0.16	
P1.26	GND	5V	Y-	P0.14	NC	
				NC	NC	EXP2
P1.27	GND	5V	Y+	P0.8	P0.7	
P1.28	GND	5V	Z-	P3.25	P0.28	
P1.29	GND	5V	Z+	P3.26	P0.9	
				P0.27	RESET	
				GND	NC	

12-24V	GND	P2.5	P2.7	P2.6	P2.4	P0.23	P0.24	P0.25	P0.26
--------	-----	------	------	------	------	-------	-------	-------	-------

POWER

BED

E1

E2

FAN

TH1-TH4

5V	GND	P0.2	P0.3
5V	GND	NC	NC

AUX-1

