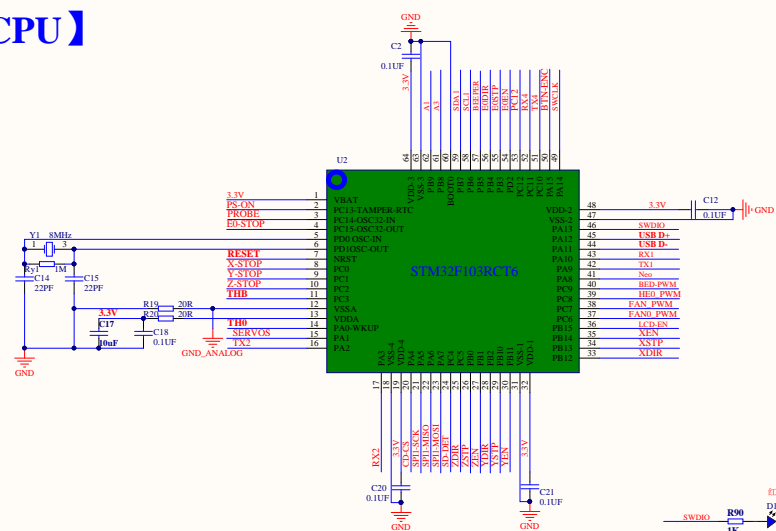
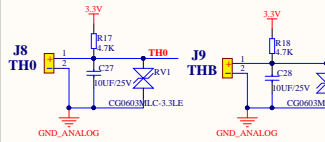


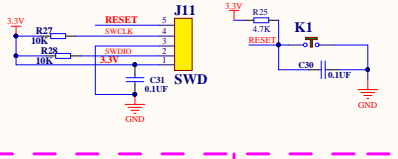
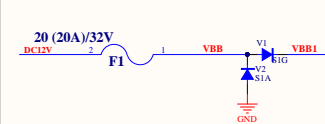
[ARM-CPU]



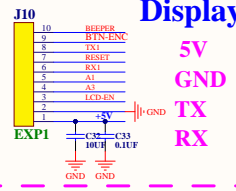
Thermistor



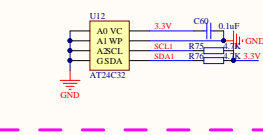
Fuse



Display



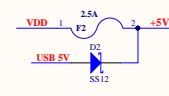
EEPROM



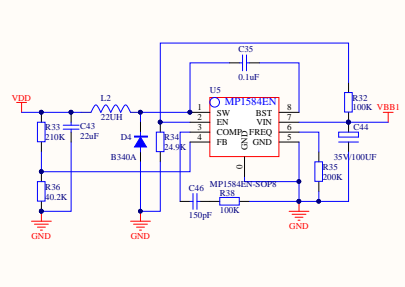
Supply



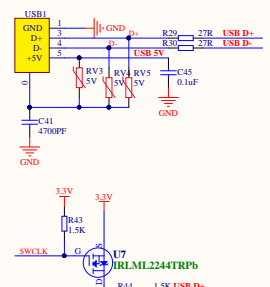
Power choose



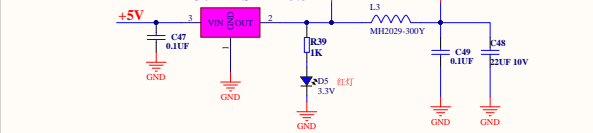
DCDC 5V



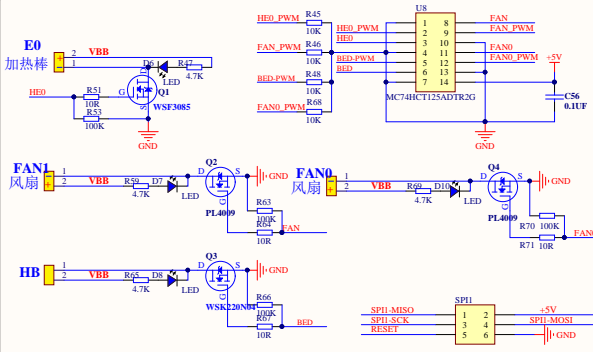
USB



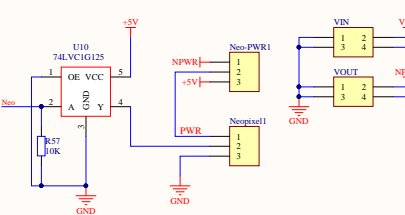
DCDC3.3V



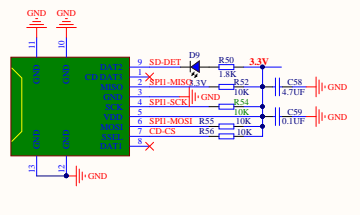
MOS



RGB

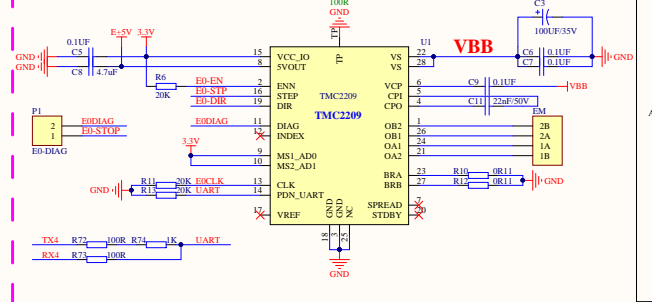


SD-Card

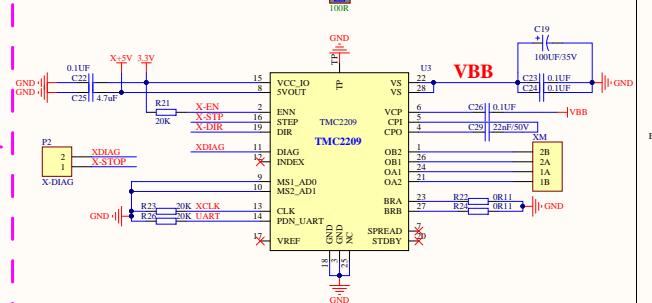


BTT SKR MINI E3 V2.0

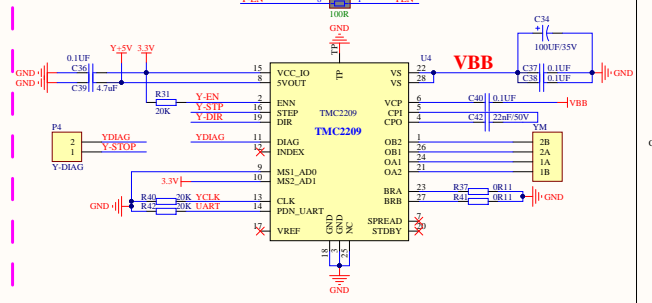
[E0]



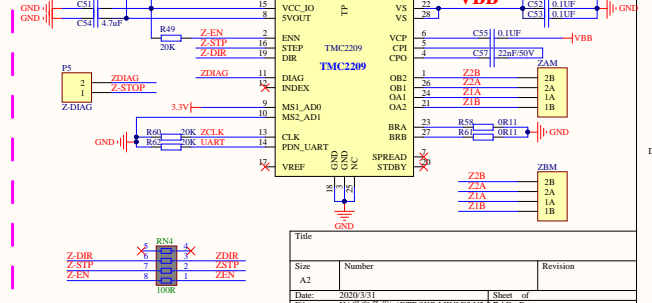
[X]



[Y]



[Z]



Title		
Size	Number	Revision
A2		
Date:	2023/3/31	Sheet of
File:	北京亚答的_BTT SKR MINI E3 V2.0	2/2