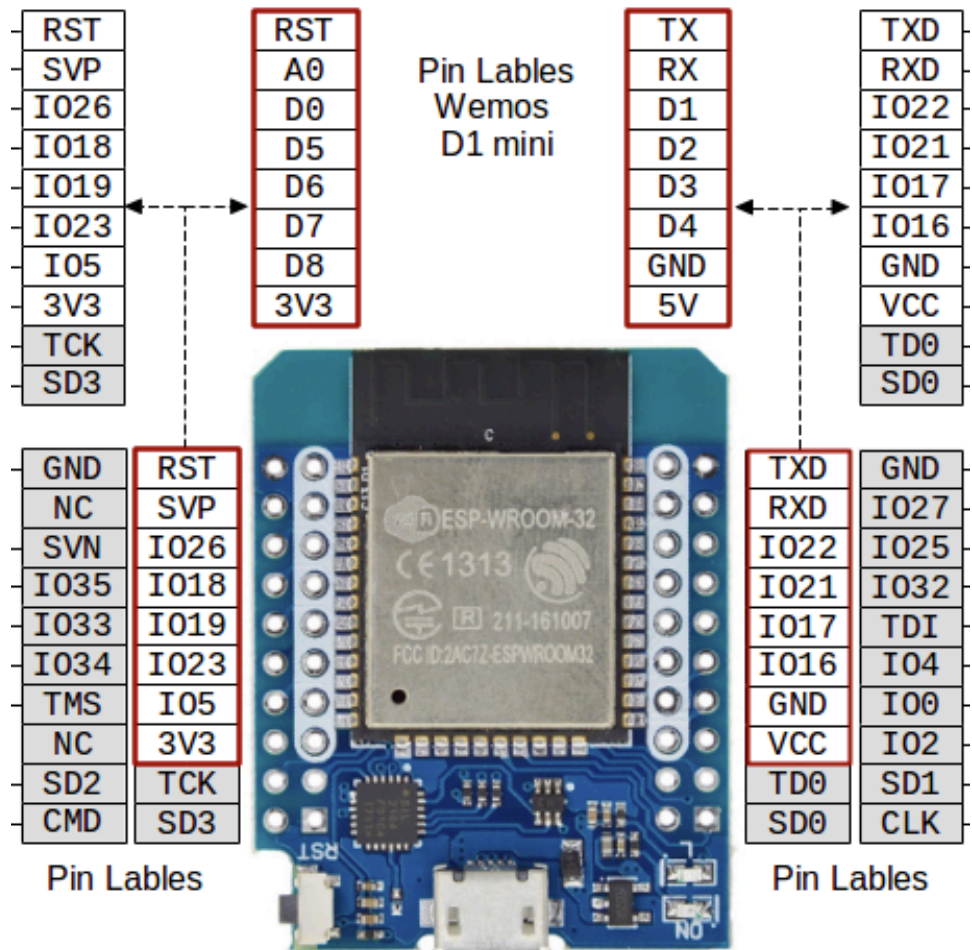


LED Matix	MH-ET	Wemos	Node MCU	
LAT	26	D0	16	
A	22	D1	5	SS
B	21	D2	4	
C	5	D8	15	
D	19	D6	12	MISO
E	17	D3	00	n/a with 64x32
OE	16	D4	2	
R0	23	D7	13	MOSI
CLK	18	D5	14	CLK



MH-ET LIVE MiniKit for ESP32 pinout

Change in display.h of dragonaud/myClock

```
#include <PxMatrix.h> //
https://github.com/2dom/PxMatrix
#include <gfont.h>
#include "fonts/TomThumb.h"
#include <Ticker.h>
Ticker display_ticker;

//default
//#define P_LAT 16
//#define P_A 5
//#define P_B 4
//#define P_C 15
//#define P_D 12
//#define P_E 0 // not needed on 64x32
//#define P_OE 2

// for MH-ET LIVE D1 and p4 64x32
#define P_LAT 26
#define P_A 22
#define P_B 21
#define P_C 5
#define P_D 19
#define P_OE 16
```

Change in PxMatrix.h v1.3.0

```
// HW SPI PINS

//for MH-ET LIVE D1
#define SPI_BUS_CLK 18
#define SPI_BUS_MOSI 23
#define SPI_BUS_MISO 19
#define SPI_BUS_SS 21

// for WeMos
//#define SPI_BUS_CLK 14
//#define SPI_BUS_MOSI 13
//#define SPI_BUS_MISO 12
//#define SPI_BUS_SS 4
```

PxMatrix.h v1.5.0 didnt work for my display onyl v1.30 was working. So i had to add setMuxDelay to v1.3.0 manually + the above changes

Change in myClock.ico

.....

```
display.begin(16);  
display.setMuxDelay(1,1,1,1,1); //added for slow muxer  
display_ticker.attach(0.002, display_updater);  
display.clearDisplay();
```

....

Links:

<https://github.com/dragondaud/myClock>

<https://github.com/2dom/PxMatrix>

<https://github.com/hallard/WeMos-Matrix-Shield>

<https://de.aliexpress.com/item/32380311346.html>

<https://de.aliexpress.com/item/32815530502.html>