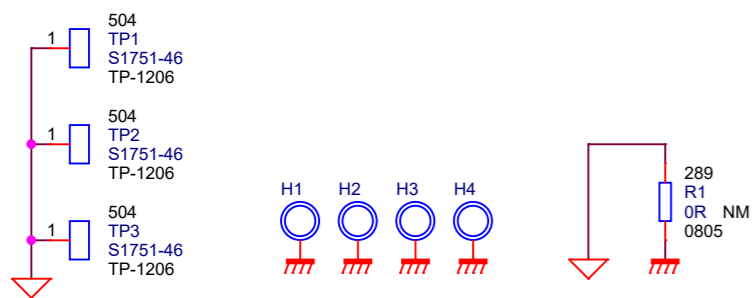


Revisions history

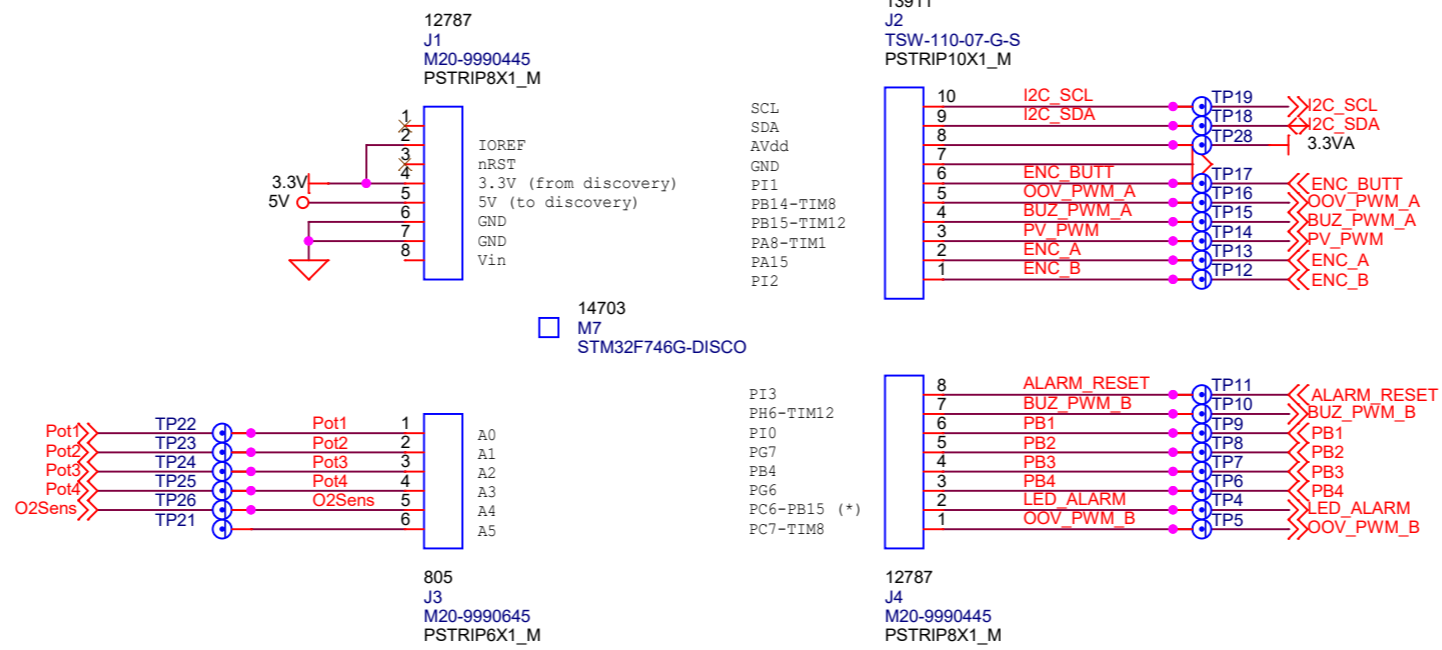
Rev.	Date	Description
0	04, 2020	First release
1	05, 2020	Power Supply 3.3VDC to Camozzi 130Evo driver

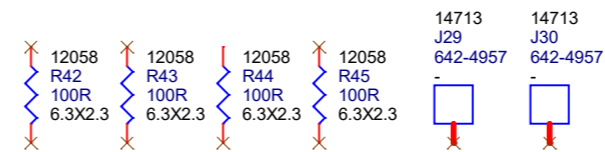
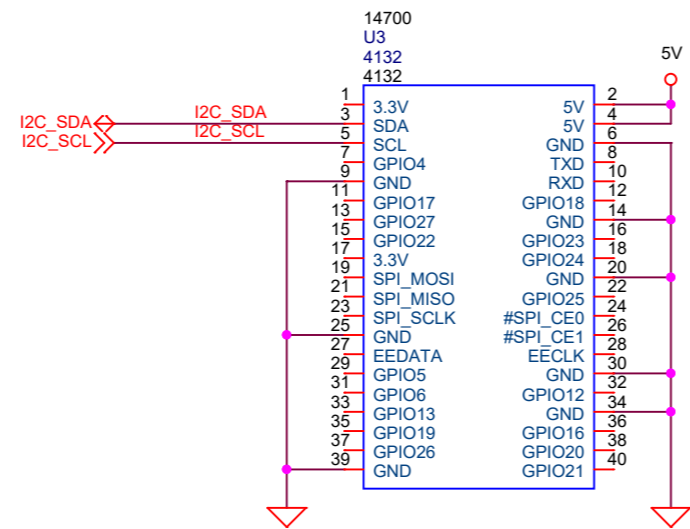


	Electronic Design Lab Via E.Melen, 83 16152 - Genova	Project: 14709 - CTR1S, Controller shield for 32F46GDISCO	
	Drawn: C.Lorini	Checked: M.Maggiali	Approved: M.Crepaldi
Document: CTR1S		01:REV.HISTORY	
Size: A3	Date: Thursday, May 07, 2020	Rev. 1 Sheet 1 of 9	

IO IRQ List	
PI0	-> PB1
PI1	-> ENC BUTT
PI2	-> ENC B
PI3	-> ALARM RESET
PB4	-> PB3
-	-
PG6	-> PB4
PG7	-> PB2
-	-
PA15	-> ENC BUTT

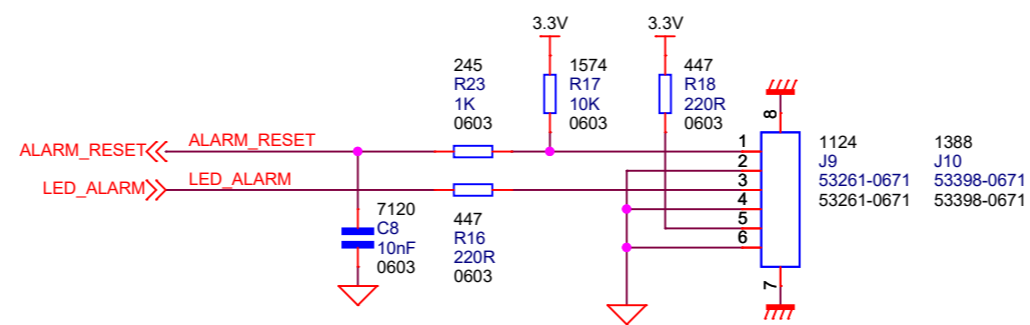
(*) no irq



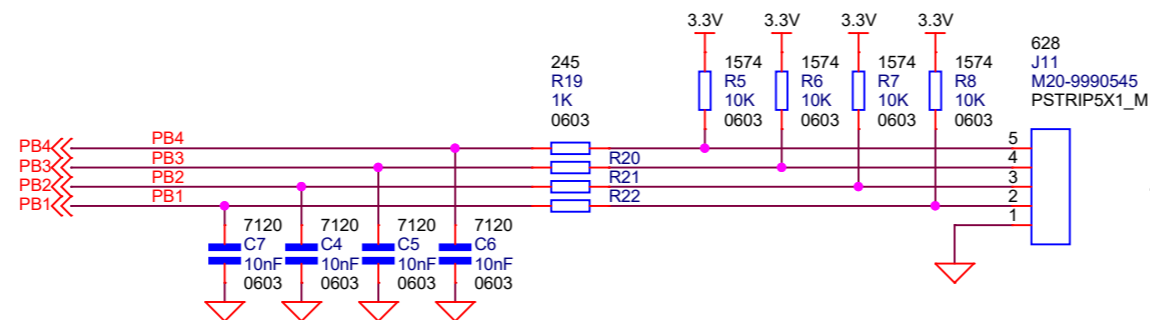


LEDs 1..4 connected to "A" connector need a 100R series resistor

set 3.3V on IOExpander IO voltage selector

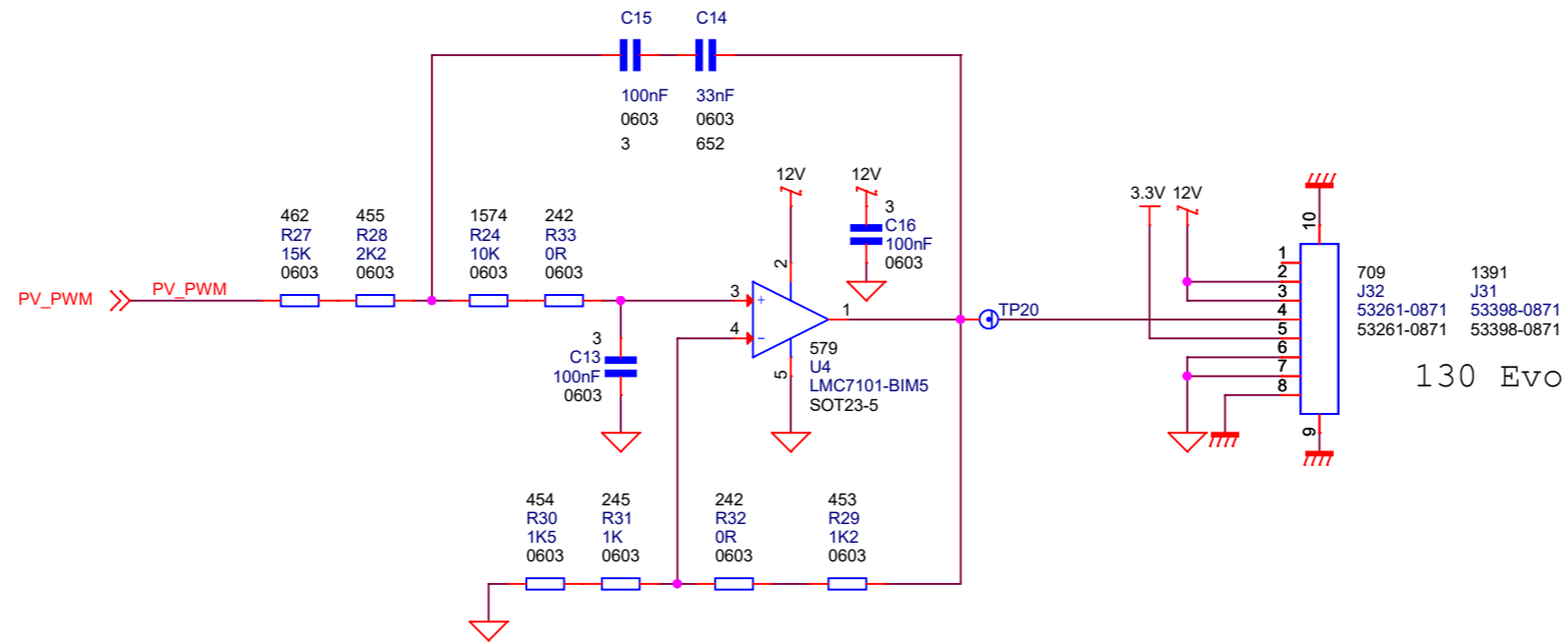


Alarm reset button
Alarm LED
Power LED

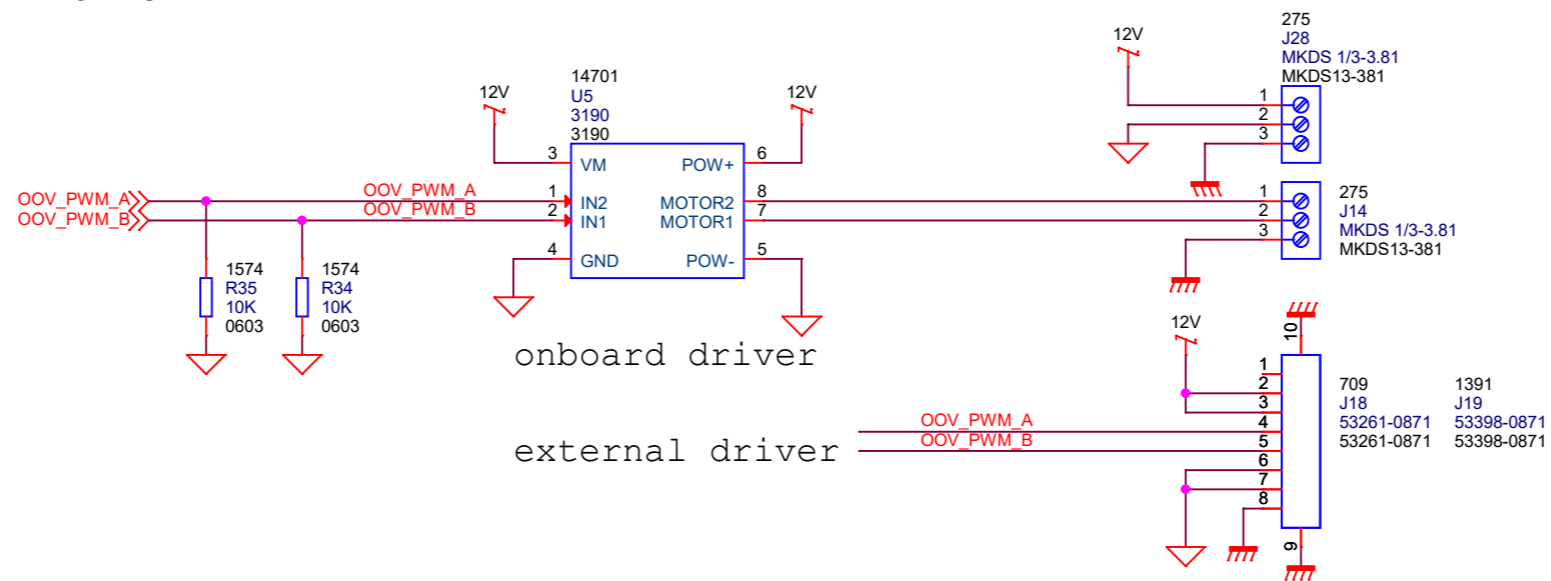


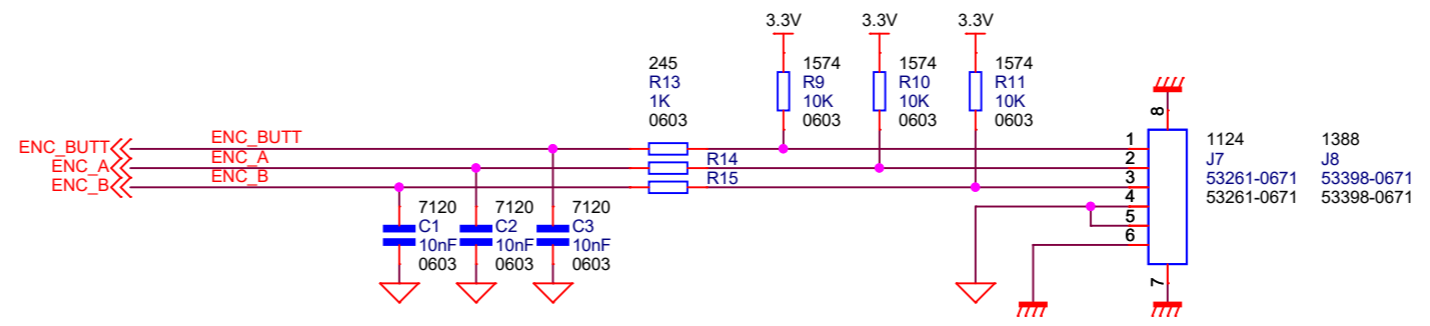
4 Button panel


Proportional valve

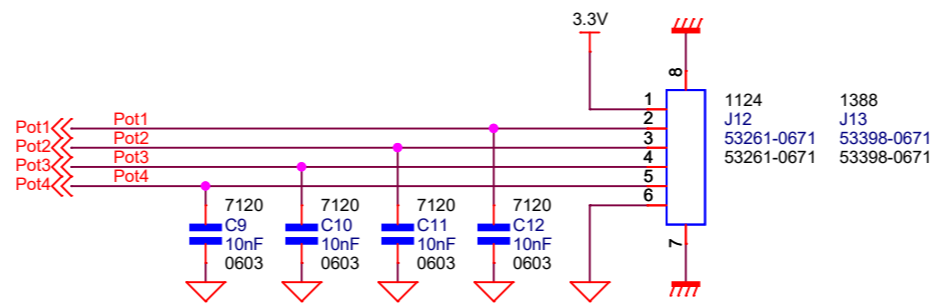


On/off valve

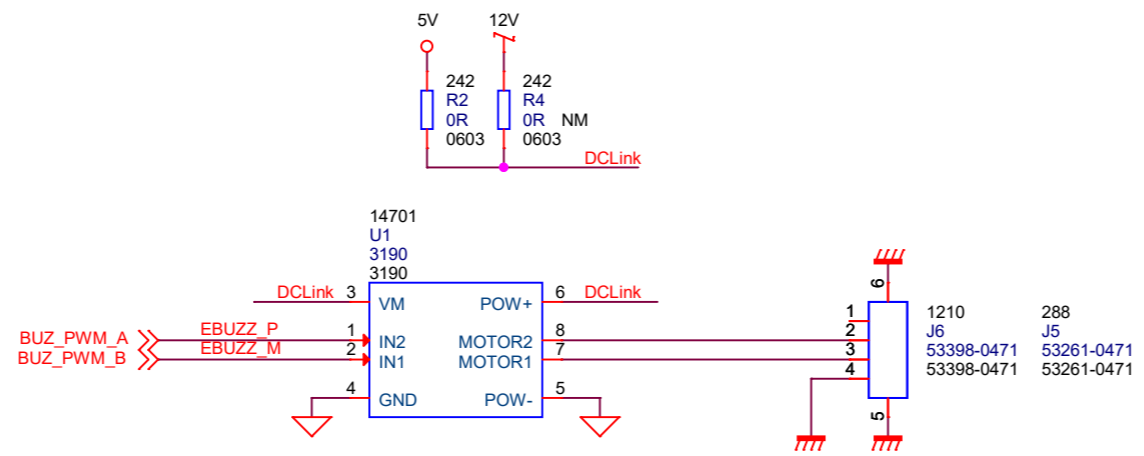




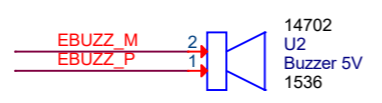
 EDL - Istituto Italiano di Tecnologia Via E.Melen, 83 16152 - Genova	Project: 14709 - CTR1S, Controller shield for 32F46DISCO		
	Drawn: C.Lorini	Checked: M.Maggioli	Approved: M.Crepaldi
Document: CTR1S		07: Encoder	
Size: A3	Date: Thursday, May 07, 2020	Rev. 1	
Sheet 5 of 9			



	EDL - Istituto Italiano di Tecnologia Via E.Melen, 83 16152 - Genova	Project: 14709 - CTR1S, Controller shield for 32F46DISCO		
	Drawn: C.Lorini	Checked: M.Maggioli	Approved: M.Crepaldi	
Document: CTR1S		08: Potentiometers		Rev. 1
Size: A3	Date: Thursday, May 07, 2020		Sheet 6 of 9	

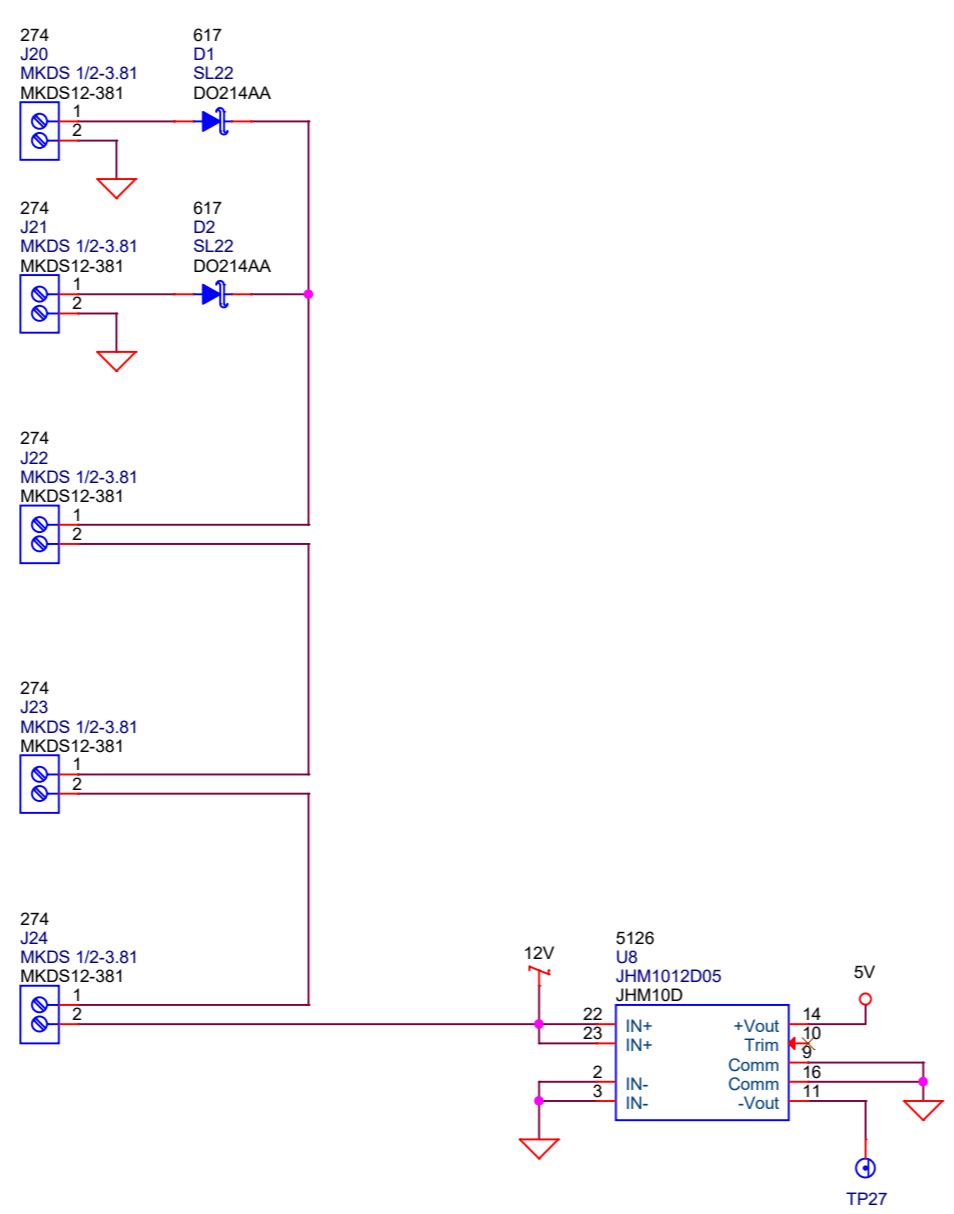


CPE827 External buzzer

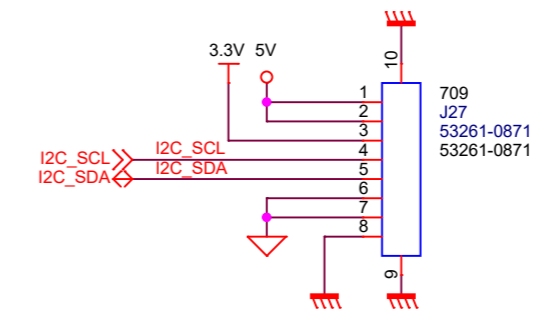


Adafruit 5V no pwm

12V in
 Battery
 power switch
 fuse
 Emgcy switch



Sensors power supply



	EDL - Istituto Italiano di Tecnologia Via E.Melen, 83 16152 - Genova	Project: 14709 - CTR1S, Controller shield for 32F46DISCO		
	Drawn: C.Lorini	Checked: M.Maggioli	Approved: M.Crepaldi	
Document: CTR1S		10: PowerSupply		Rev. 1
Size: A3	Date: Thursday, May 07, 2020	Sheet 8 of 9		

