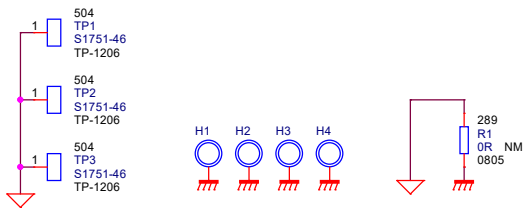


# Revisions history

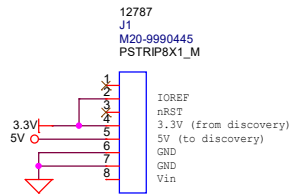
Rev.	Date	Description
0	04, 2020	First release



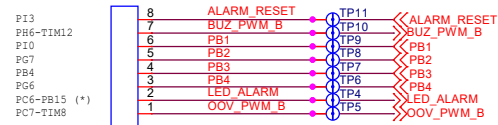
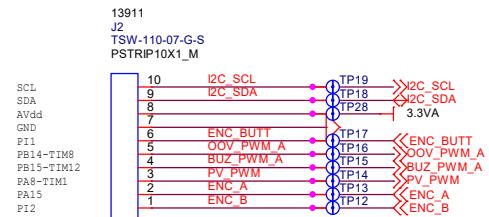
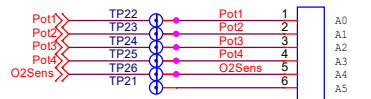
	Electronic Design Lab Via E.Malen, 83 16152 - Genova	Project: 14788 - CTRIS, Controller eMeld for 32F46GDISCO	
	Drawn: C.Lorini	Checked: M.Maggioli	Approved: M.Crepaldi
Document: CTRIS		01:REV.HISTORY	
Size: A3	Date: Tuesday, April 21, 2020	Rev. 0	Sheet 1 of 9

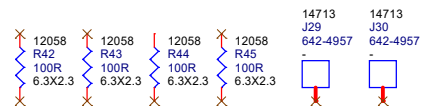
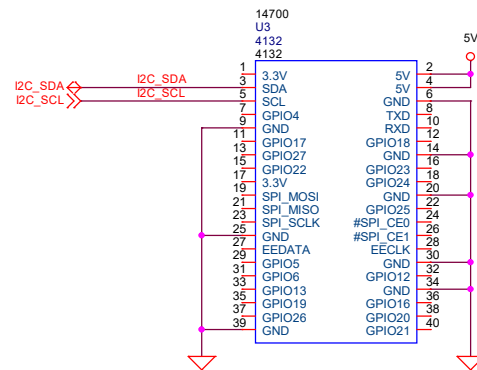
IO IRQ List	
PI0	-> PB1
PI1	-> ENC BUTT
PI2	-> ENC B
PI3	-> ALARM RESET
PB4	-> PB3
-	-
PG6	-> PB4
PG7	-> PB2
-	-
PA15	-> ENC BUTT

(\*) no irq



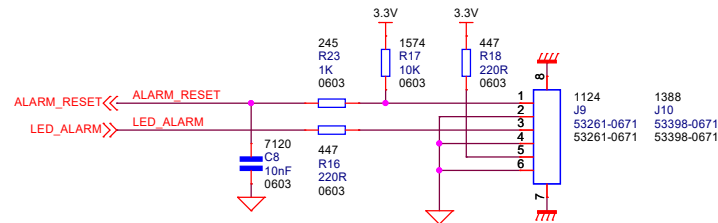
14703  
M7  
STM32F746G-DISCO



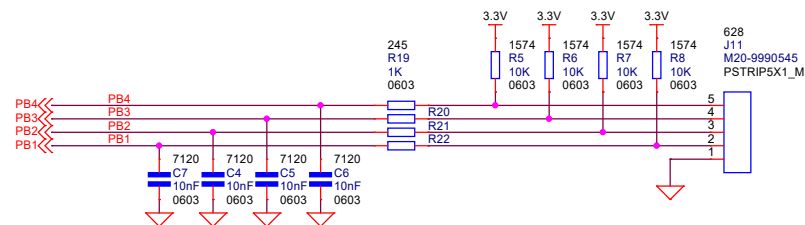


LEDs 1..4 connected to "A" connector need a 100R series resistor

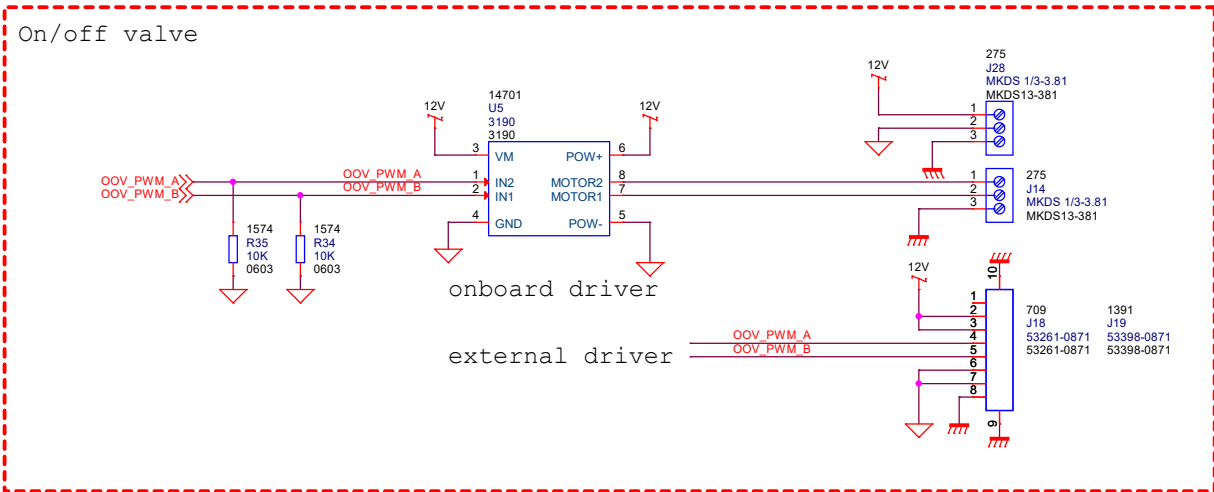
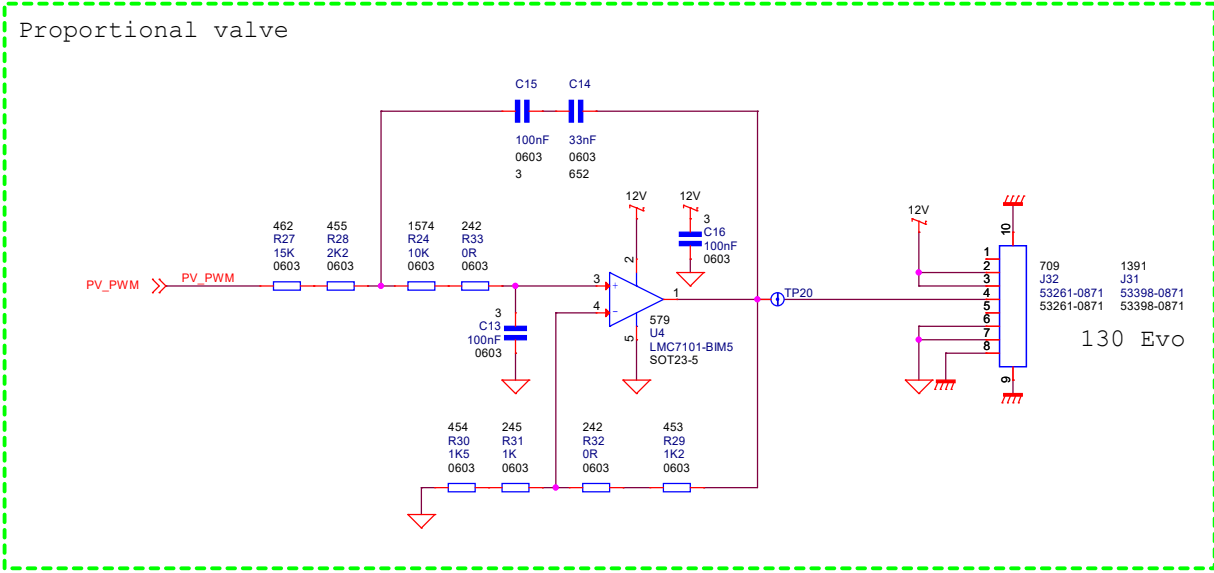
set 3.3V on IOExpander IO voltage selector



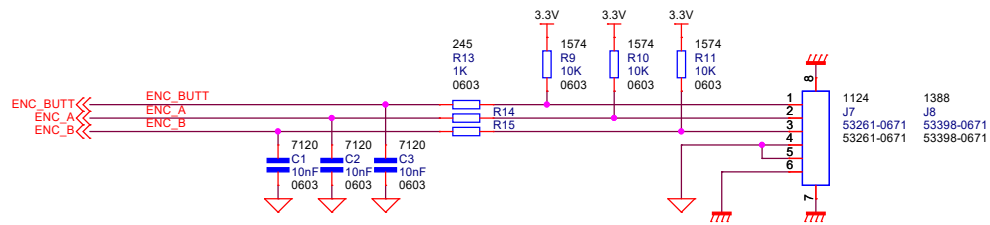
Alarm reset button  
Alarm LED  
Power LED




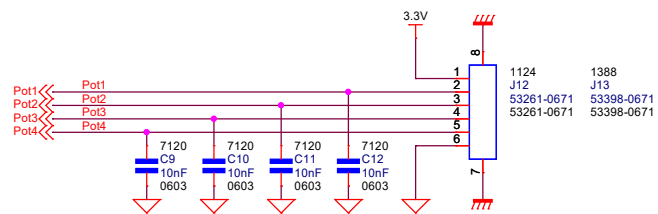
4 Button panel




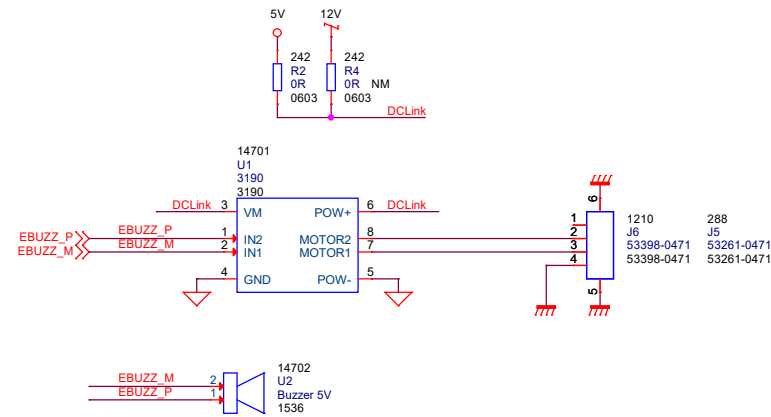
	EDL - Istituto Italiano di Tecnologia Via E. Mattei, 83 16152 - Genova	Project: 14719 - CTR1S, Controller shield for 32F460DISCO	Checked: M. Maggiali	Approved: M. Crispaldi
	Document: CTR1S	05: Valves	Rev. 0	
Size: A3	Date: Tuesday, April 21, 2020	Sheet 4 of 9		



	EDL - Istituto Italiano di Tecnologia Via E. Mattei, 83 16152 - Genova	Project: 44789 - CTR1S, Controller shield for 32F460DISCO	
	Drawn: C.Lorini	Checked: M.Maggioli	Approved: M.Crispaldi
Document: CTR1S	07: Encoder		Rev. 0
Size: A3	Date: Tuesday, April 21, 2020	Sheet 5 of 9	



	EDL - Istituto Italiano di Tecnologia Via E. Mattei, 83 16152 - Genova		Project: <b>44789 - CTR1S, Controller shield for 32F460DISCO</b>	
	Drawn: C.Lorini	Checked: M.Maggioli	Approved: M.Crispaldi	
Document: <b>CTR1S</b>		<b>08: Potentiometers</b>		Rev. 0
Size: A3	Date: Tuesday, April 21, 2020		Sheet 6 of 9	



CPE827 External buzzer

Adafruit 5V no pwm

	EDL - Istituto Italiano di Tecnologia Via E. Mattei, 83 16152 - Genova	Project: 14719 - CTR1S, Controller shield for 32F460DISCO		
	Drawn: C.Lorini	Checked: M.Maggioli	Approved: M.Crispaldi	
Document: CTR1S				Rev. 0
Size: A3	Date: Tuesday, April 21, 2020			Sheet 7 of 9

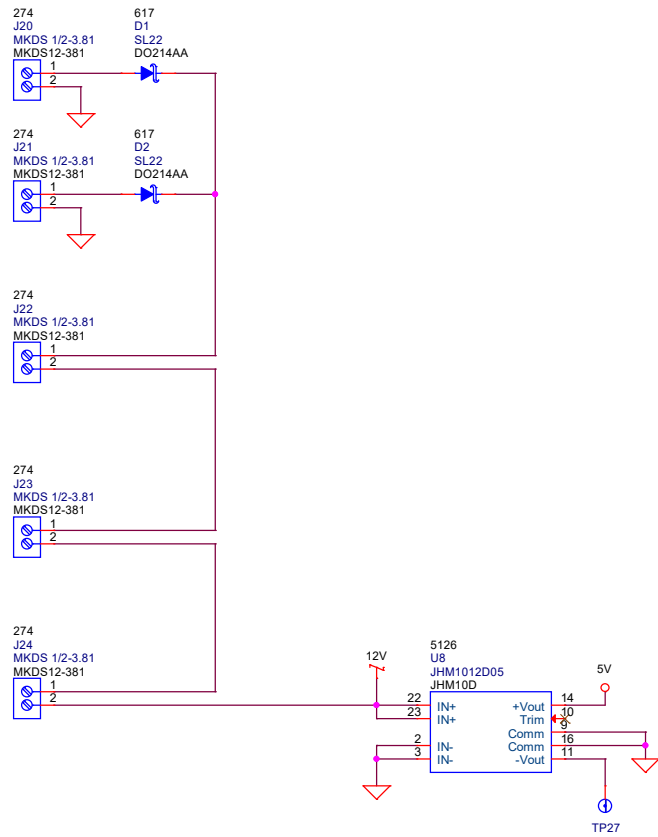
12V in

Battery

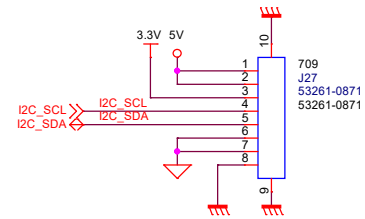
power switch

fuse

Emgcy switch

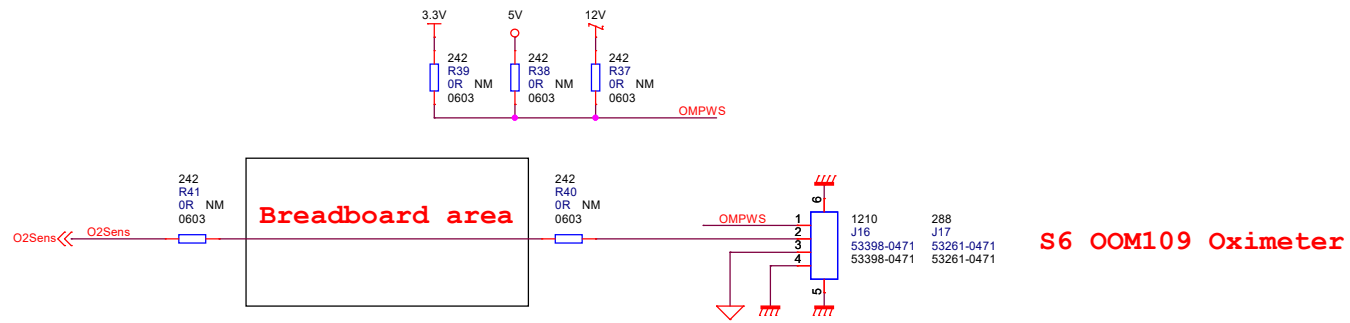


### Alimentazione sensori



	EDL - Istituto Italiano di Tecnologia Via E. Mattei, 83 16152 - Genova	Project: 44719 - CTR1S, Controller shield for 32F4620DISCO		
	Drawn: C.Lorini	Checked: M.Maggioli	Approved: M.Crispaldi	
Document: CTR1S		10: PowerSupply		Rev. 0
Size: A3	Date: Tuesday, April 21, 2020	Sheet 8 of 9		





	EDL - Istituto Italiano di Tecnologia Via E. Mattei, 83 16152 - Genova	Project: 4719 - CTR1S, Controller shield for 32F46015CD		
	Drawn: C.Lorini	Checked: M.Maggioli	Approved: M.Crispaldi	
Document: CTR1S		11:Oximeter		Rev. 0
Size: A3	Date: Tuesday, April 21, 2020	Sheet 9 of 9		