



I²C communication guide

K20/K22/K30/K33/K45/K50 platforms

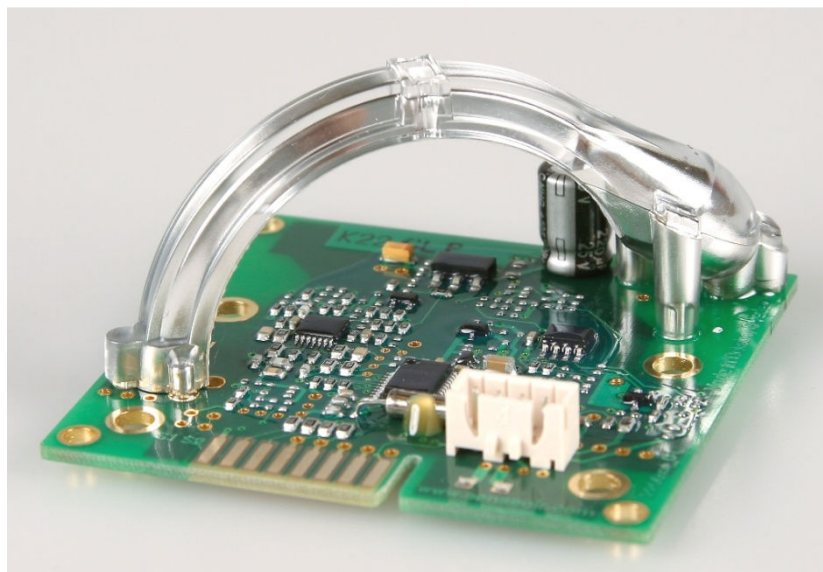


Table of contents:

1. Introduction	2
2. Electrical connection	3
3. Bus characteristics	7
4. Data transfer	12
5. Read/write RAM/EEPROM sequences	17
6. Limitations	20
7. Flowchart of master operation and error handling	21
8. Sensor memory guide	24
9. Appendix A, Checksum calculation example:	29
10. Appendix B, I ² C bus transaction examples	30
11. Appendix C, Useful algorithms	33
12. Appendix D, I ² C bus terminals on factory connector	34
13. Revision information	36

1. Introduction

This document is a guide to how to communicate with CO₂ sensors in the K20/K22/K30/K33/K45/K50 platforms from SenseAir AB using I²C bus.

Communication is implemented using I²C. Sensor operates in standard mode at rate up to 100kbit/sec and serves as slave only.

I²C communication bus is described in "THE I²C-BUS SPECIFICATION" (Philips Semiconductors, 1990). I²C is a trademark of Philips Corps. The document can be downloaded at http://www.nxp.com/acrobat_download/literature/9398/39340011.pdf One can find useful application information in AN10216-01 at www.nxp.com.

Readers aimed to connect a sensor to a master system fast should first read chapter 2, Electrical connection, then proceed with chapter 5, Read/write RAM/EEPROM sequences, chapter 6, Flowchart of master operation and error handling, chapter 8, Sensor memory guide and after that look at the application examples in Appendix B.

2. Electrical connection

2.1. I²C specification requirements

I²C-bus employs 2 bi-directional lines SCL and SDA, connected to a positive supply voltage via a current source or pull-up resistors. The output stages of devices connected to the bus must have an open-drain or open-collector to perform the wired-AND function. See "THE I²C-BUS SPECIFICATION" for more information on electrical connections, section 16 of that document describes how to choose pull-up resistors to meet required noise margin.

2.2. Electrical schematics and specification

The simplest connection to the sensor consists of 4 wires:

- Power "+", often referred as G+
- Power "-", sensor's ground, referred as G0 or GND.
- I²C-bus bi-directional line SCL
- I²C-bus bi-directional line SDA

Required logical levels on SCL and SDA lines depend on DVCC supplied on sensor's processor. DVCC is not the same for all models. If processor is powered by 3.3V, it doesn't tolerate 5V logical levels. See more details in 2.4.

If DVCC differs from I/O voltage of external processor, a level translator may be required. DVCC from the sensor is provided on the connector in order to support connection of a voltage translator. See more details in 2.4.

The electrical schematic for the sensors in the K20/K22/K30/K33/K45/K50 series is shown in Figure 1. Both SCL and SDA lines have the processor's internal pull-up, which is connected in parallel with an external resistor. There is also a series resistor for each of the lines.

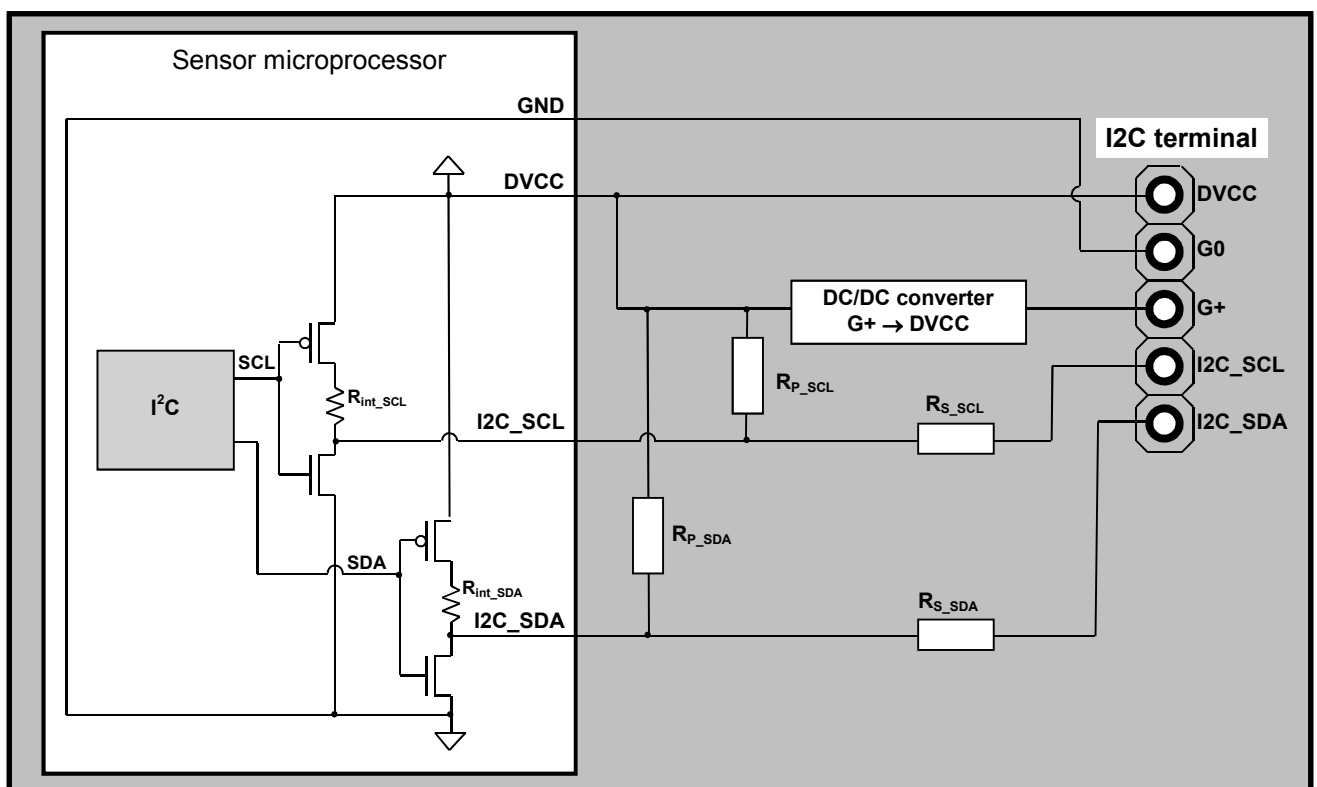


Figure 1 I²C sensor's internal connections

NOTE: K30 sensors have 10R resistor between regulator output and DVCC pin on I2C terminal. This resistor is not shown on the drawing above.

Resistor's values in [Figure 1](#) in the K20/K22/K30/K33/K45/K50 series are summarized in [Table 1](#). Processor's specification on input and output levels of general purpose pins used for I2C communication is quoted in [Table 2](#).

Table 1

Resistor	Min	Typ	Max	Notes
Rp_scl (I ² C SCL Pull-up)		56 kOhms		5% tolerance resistor
Rp_sda (I ² C SDA Pull-up)		56 kOhms		5% tolerance resistor
Rs_scl (I ² C SCL Series resistor)		56 Ohms		5% tolerance resistor
Rs_sda (I ² C SDA Series resistor)		56 Ohms		5% tolerance resistor
SCL processor internal pull-up	4 kOhms	5,6 kOhms	8 kOhms	Specified in processor's data sheet
SDA processor internal pull-up	4 kOhms	5,6 kOhms	8 kOhms	

Table 2

Table 3-5. 5V and 3.3V DC GPIO Specifications

Symbol	Description	Min	Typ	Max	Units	Notes
R _{PU}	Pull-up Resistor	4	5.6	8	kΩ	
R _{PD}	Pull-down Resistor	4	5.6	8	kΩ	
V _{OH}	High Output Level	V _{dd} - 1.0	-	-	V	I _{OH} = 10 mA, V _{dd} = 4.75 to 5.25V (maximum 40 mA on even port pins (for example, P0[2], P1[4]), maximum 40 mA on odd port pins (for example, P0[3], P1[5])). 80 mA maximum combined IOH budget.
V _{OL}	Low Output Level	-	-	0.75	V	I _{OL} = 25 mA, V _{dd} = 4.75 to 5.25V (maximum 100 mA on even port pins (for example, P0[2], P1[4]), maximum 100 mA on odd port pins (for example, P0[3], P1[5])). 150 mA maximum combined IOL budget.
V _{IL}	Input Low Level	-	-	0.8	V	V _{dd} = 3.0 to 5.25.
V _{IH}	Input High Level	2.1	-	-	V	V _{dd} = 3.0 to 5.25.
V _H	Input Hysteresis	-	60	-	mV	
I _{IL}	Input Leakage (Absolute Value)	-	1	-	nA	Gross tested to 1 μA.
C _{IN}	Capacitive Load on Pins as Input	-	3.5	10	pF	Package and pin dependent. Temp = 25°C.
C _{OUT}	Capacitive Load on Pins as Output	-	3.5	10	pF	Package and pin dependent. Temp = 25°C.

2.3. I²C connection on different sensor models

The I²C Bus pins are available at I2C terminals on most of the sensor platforms (see [Figure 2](#), [3](#) and [4](#)).

K33

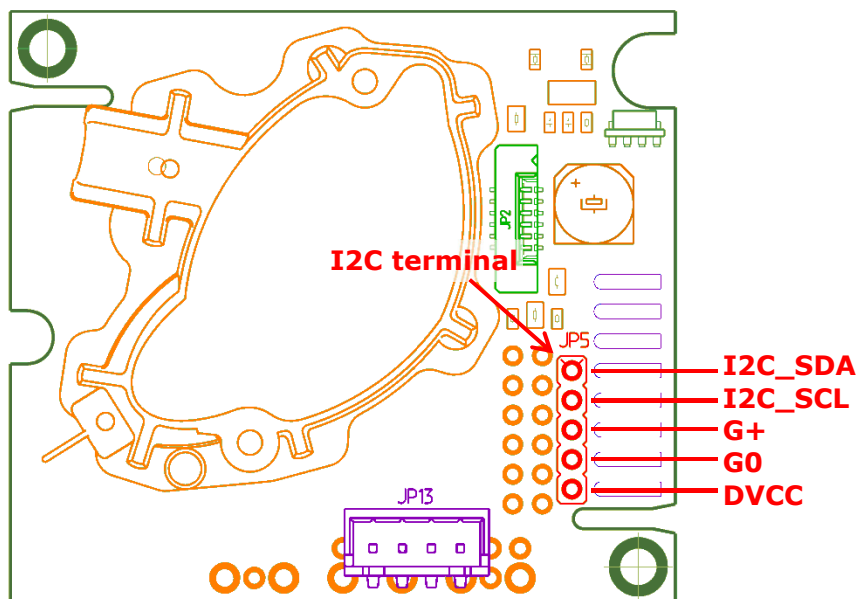


Figure 2 I²C terminal on K33 sensor

K22

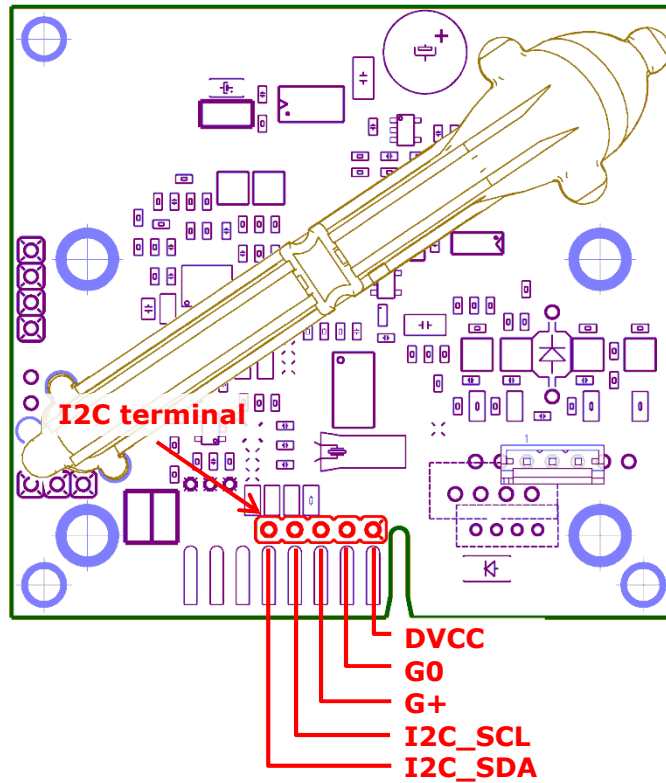


Figure 3 I²C terminal on K22 sensor

K30

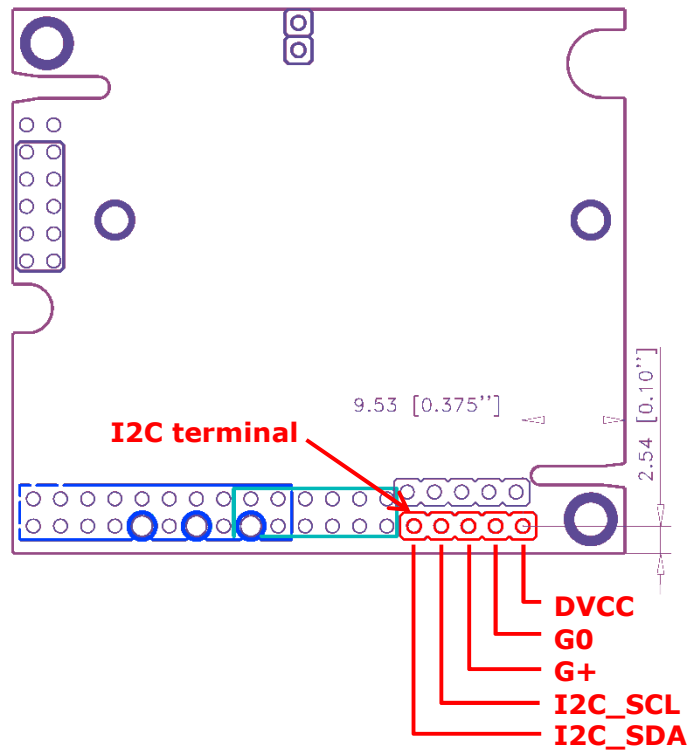


Figure 4 I²C terminal on K30 sensor

I2C bus pins are available on factory connector as well. Refer [Appendix C, I2C bus terminals on factory connector](#) for details

2.4. DVCC and supply voltages

DVCC voltage is different for different models in the K20/K22/K30/K33/K45/K50 series, as described in [Table 3](#). This needs to be considered when interfacing the sensors since it might be necessary to use level conversion circuitry in some cases. Descriptions of such circuitry can be found in Section 18 of "THE I²C-BUS SPECIFICATION", and other examples are available from the internet (e.g. http://www.maxim-ic.com/appnotes.cfm/appnote_number/1159)

Table 3, DVCC and power supply for different sensor types

Sensor type	DVCC voltage	Supply voltage	Notes
K20-4B	3.3V	4.5-7.0 VDC	
K20-4BP	3.3V	4.5-7.0 VDC	
K20-FH	5.0V	5.0 VDC	Supply voltage is fed to the DVCC
K20-FHP	5.0V	5.0 VDC	Supply voltage is fed to the DVCC
K20-PO	3.3V	1.9-3.5 VDC	
K20-POP	3.3V	1.9-3.5 VDC	
K22-4B	3.3V	4.5-12.0 VDC	
K22-FH	5.0V	5.0 VDC	Supply voltage is fed to the DVCC
K22-LN	3.3V	7.5-12.0 VDC	
K22-PWM	3.3V	4.5-12.0 VDC	
K22-OC	3.3V	4.5-12.0 VDC	
K30	3.3V	4.5-14.0 VDC	
K30-LN	3.3V	7.2-14.0 VDC	
K33	3.3V	4.5-14.0 VDC	
K45	5.0V	24.0 VAC/VDC	
K50	5.0V	24.0 VAC/VDC	

DVCC can deliver a small amount of current to drive external circuitry. Maximum allowed current available depends on model. As a general rule, current shouldn't exceed 12mA.

3. Bus characteristics

3.1. Functional description

The sensors in the K20/K22/K30/K33/K45/K50 series use the I²C Bus for communication with other systems. Sensor acts as a slave device on the I²C bus, which means that it must be controlled by an I²C master device. It can operate both as receiver and transmitter, but the master device generates clock signals on SCL line and master device determines which mode is activated.

The physical layer of the I²C Bus is implemented in a dedicated hardware block in the sensor processor. The I²C hardware block is configured and controlled by sensor firmware.

Table 4 I²C parameters for K20/K22/K30/K33/K45/K50 sensors

Parameter	Value	Notes
Master/slave mode	Slave	Sensor will never initiate communication, it only replies to master
Data rate	100kbits/s	
Addressing mode	7bit	
Address range	0x00 to 0x7F	Address is configured in EEPROM. Default address after production is 0x68 "Any sensor" address is 0x7F. Sensor answers on data transfers with this address disregarding configured sensor address.

The following bus conditions are defined; see "THE I²C-BUS SPECIFICATION":

3.2. Bus not busy

Both data SDA and clock SCL lines remain high.

3.3. Start condition

A high-to-low transition of the SDA line while the clock SCL is high, determines a Start condition. All commands must be preceded by a Start condition.

3.4. Stop condition

A low-to-high transition of the SDA line while the clock SCL line is high determines a Stop condition. All operations must end with a Stop condition.

3.5. Data valid

The state of the data SDA line represents valid data when, after a Start condition, the data SDA line is stable for the duration of the high period of the clock signal.

The data on the SDA line must be changed during the low period of the clock signal.

Each data transfer is initiated with a Start condition and terminated with Stop condition.

3.6. Acknowledge

Each **receiving** device, when addressed, is obliged to generate an Acknowledge signal after the reception of each byte. The master device must generate an extra clock pulse which is associated with this acknowledge bit.

A device that acknowledges must pull down the SDA line during acknowledge clock pulse. Sensor doesn't generate any acknowledge bits if it is busy with some internal task, for example, measurement. It is not an error and master shall try communication with sensor again. Acknowledgement is shown in [Figure 5](#).

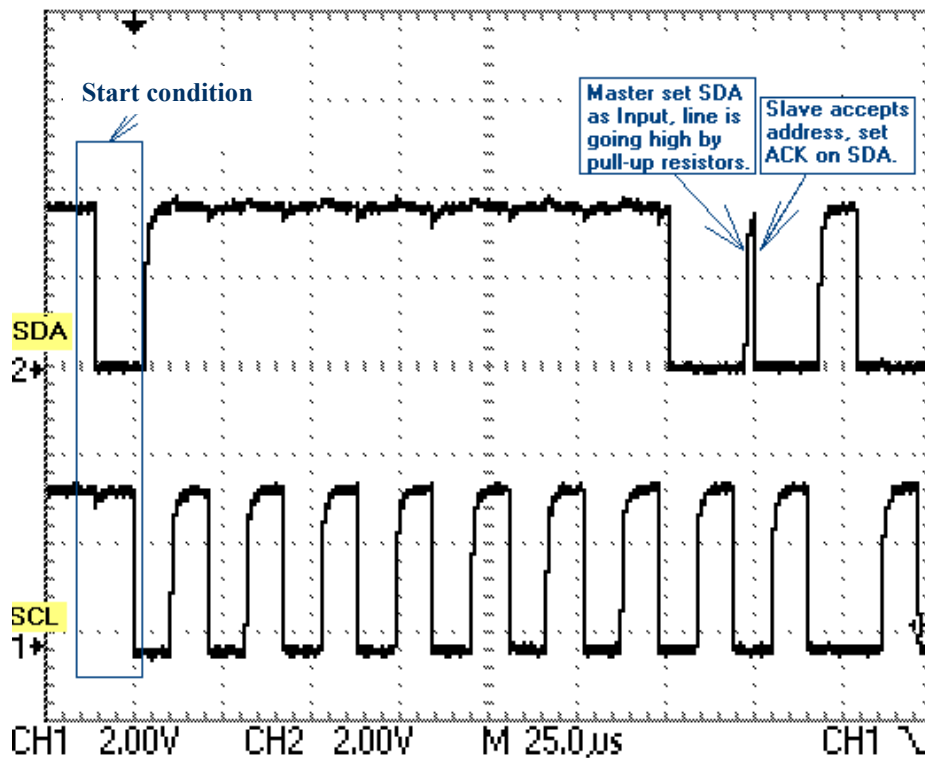


Figure 5 Slave acknowledges I²C-address from Master. I²C address = 0x7F, "any sensor" address. Write command sent with Bit0 = 0.

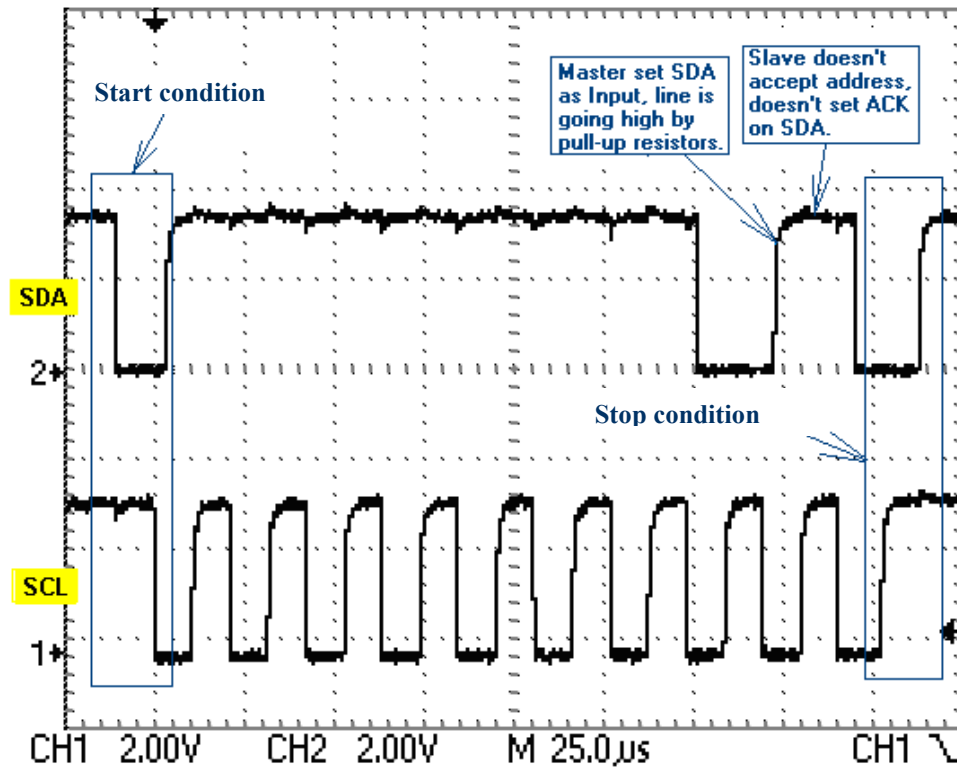


Figure 6 Slave doesn't acknowledge I²C-address from Master. I²C address = 0x7F, "any sensor" address.

3.7. Use of the clock synchronizing mechanism as a handshake

"THE I²C-BUS SPECIFICATION", page 10 and 13, defines a special mechanism to allow slave to execute slow operations.

"If slave can't receive or transmit another complete byte of data until it has performed some other function... it can hold the clock line SCL Low to force master into wait state. Data transfer then continues when the slave is ready for another byte of data and release clock line SCL."

This mechanism is used by sensor to hold already started communication during measurement, see [Figure 7](#). Master must support this part of I²C specification.

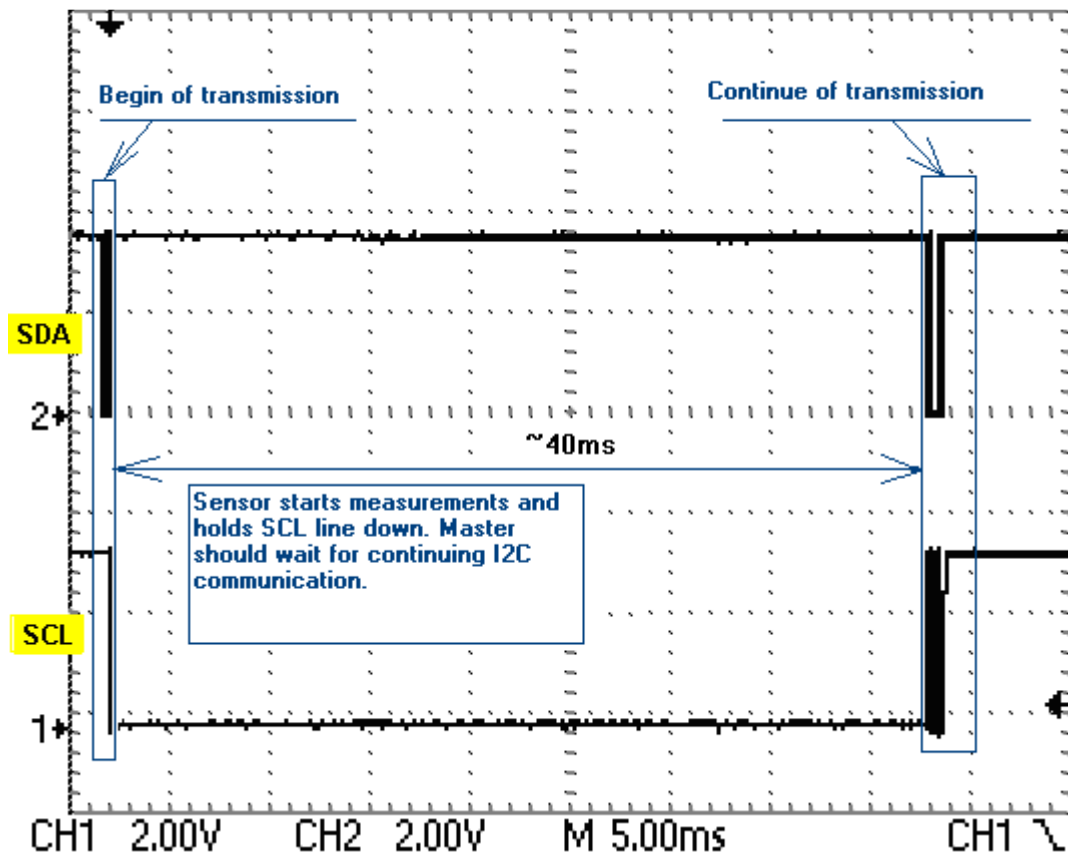


Figure 7 Master starts transmission, then Sensor (Slave) makes measurements and holds line SCL down. After finishing of measurements, Master continues transmission. As an option, Master can send Stop Sequence and communicate with another device on bus.

3.8. Bus protocol

- A. Data transfer may be initiated only when the bus is not busy.
- B. Data transfer may be initiated even when line SDA is kept low by the sensor. This protocol is defined for low power sensors with sleep mode.

3.9. Timing diagram

There is timing diagram of I2C communication by specification:

Figure 8

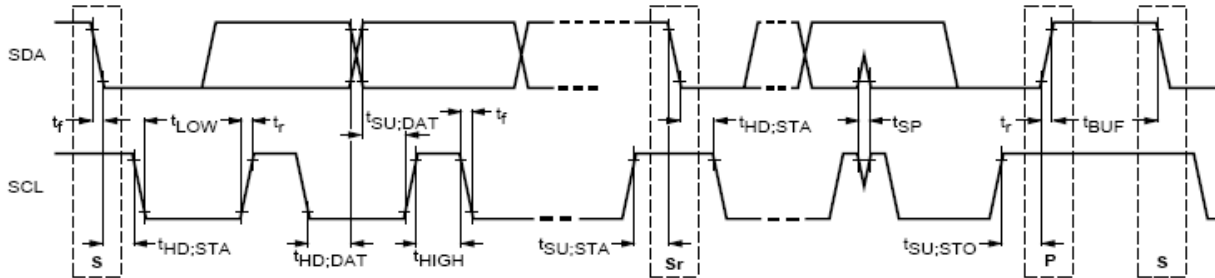


Table 5

PARAMETER	SYMBOL	MIN	MAX	UNIT
SCL clock frequency	f _{SCL}	0	100	kHz
Hold time (repeated) START condition. After this period, the first clock pulse is generated	t _{HD;STA}	4.0	—	us
LOW period of the SCL clock	t _{LOW}	4.7	—	us
HIGH period of the SCL clock	t _{HIGH}	4.0	—	us
Set-up time for a repeated START condition	t _{SU;STA}	4.7	—	us
Data hold time for I2C-bus devices	t _{HD;DAT}	0 ⁽¹⁾	3.45 ⁽²⁾	us
Data set-up time	t _{SU;DAT}	250	—	ns
Rise time of both SDA and SCL signals	t _r	—	1000	ns
Fall time of both SDA and SCL signals	t _f	—	300	ns
Set-up time for STOP condition	t _{SU;STO}	4.0	—	us
Bus free time between a STOP and START condition.	t _{BUF}	4.7	—	us
Capacitive load for each bus line	C _b	—	400	pF
Noise margin at the LOW level for each connected device (including hysteresis)	V _{nL}	0.1 V _{DD}	—	V
Noise margin at the HIGH level for each connected device (including hysteresis)	V _{nH}	0.2 V _{DD}	—	V

Notes:

1. A device must internally provide a hold time of at least 300 ns for the SDA signal (referred to the VIHmin of the SCL signal) to bridge the undefined region of the falling edge of SCL.
2. The maximum t_{HD;DAT} has only to be met if the device does not stretch the LOW period (t_{LOW}) of the SCL signal.

4. Data transfer

4.1. Communication session

Any communication session with sensor consist of 2 data transfer slots with one wait slot between them. The first data transfer, named Request, contains command and eventual data to write to the sensor. The wait time slot is required to let the sensor to recognize and execute command and prepare response.

The second data transfer, named Response, contains check of command execution completion and reads data from sensor. The "complete" bit has to be checked to verify that the command was successfully executed. Master may need to repeat attempts to read response until a valid frame with "complete" bit set to one is received or timeout is occurred. Busy sensor may be indicated by absence of acknowledge bit as well.

This basic scenario of communication session is illustrated on [Figure 9](#)

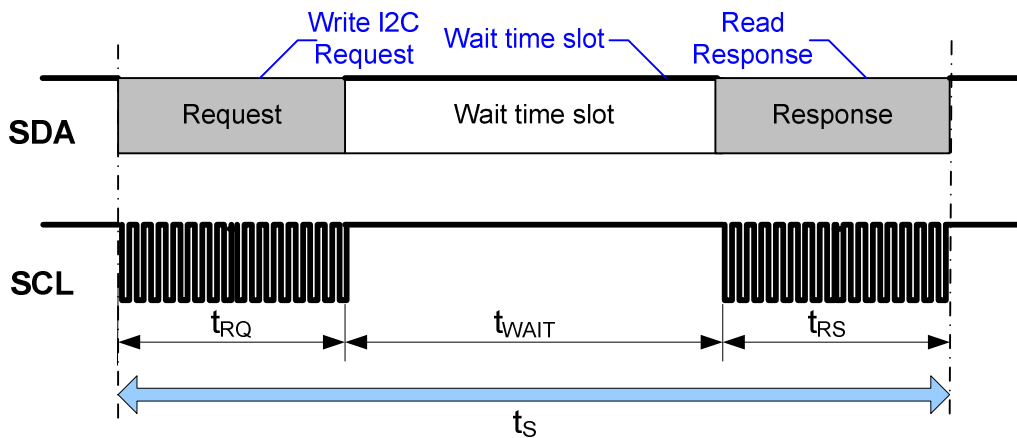


Figure 9 Communication timing diagram

Low power sensor models may require some time for wake up. They doesn't answer on the first request and it's worth to provide pulse to wake up them as it's shown on [Figure 10](#)

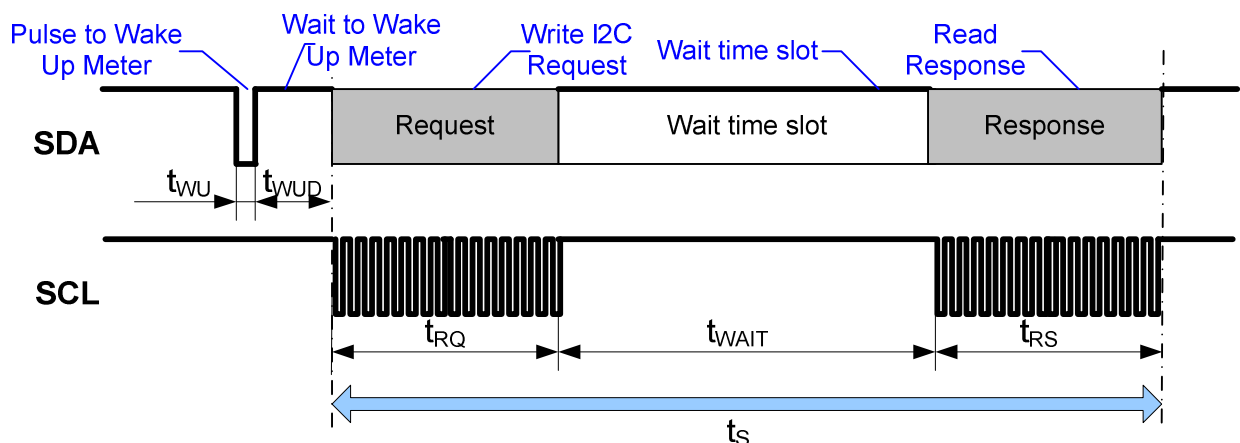


Figure 10 Communication timing diagram for low power sensors (K20-4B, K22-4B and K33 BLG/ELG)

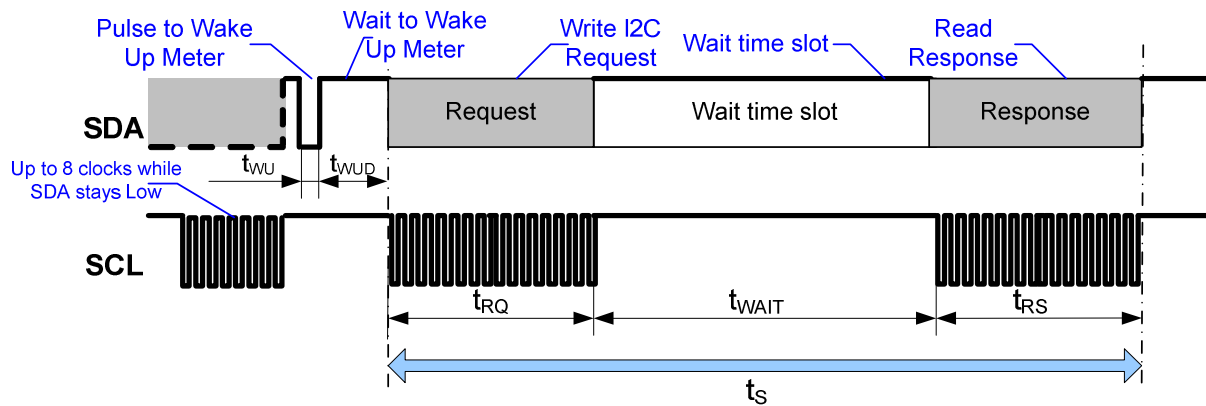


Figure 11 “Save” communication timing diagram with recovery from the situation when sensor’s I2C hardware holds line SDA low

4.2. Timing specification

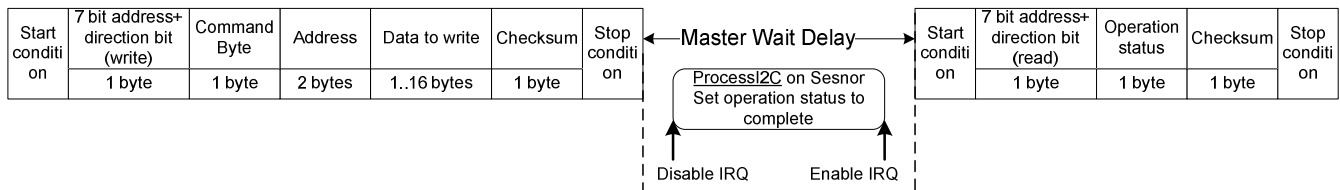
Time parameters shown on [Figure 9](#), [Figure 10](#) and [Figure 11](#) are specified in Table 6

Table 6

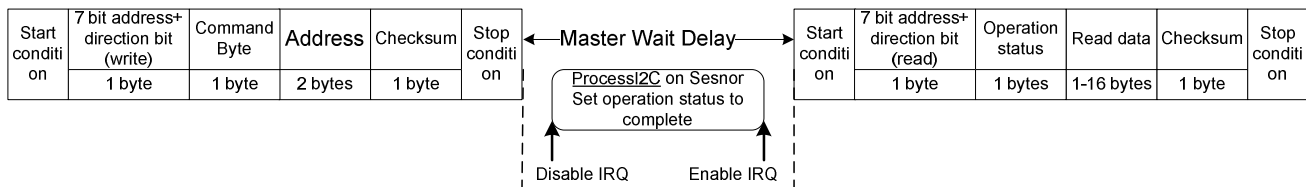
Symbol	Description	Min	Typical	Max	Notes
t_{RQ}	Time of Request	-	-	120 ms	Must be checked by I2C-Master
t_{WAIT}	Wait time (delay)	1 ms (TBD)	20 ms	(TBD)	
t_{RS}	Time of response	-	-	120 ms	Must be checked by I2C-Master
t_S	Total Session time	-	~40ms	160 ms	Must be checked by I2C-Master
t_{WU}	Time of Pulse for Wake-up	TBD	300 us	TBD	
t_{WUD}	Delay for Wake-up	TBD	1 ms	TBD	

4.3. Overview of data packages in communication session

Write RAM/EEPROM



Read RAM/EEPROM



4.4. Details of bit fields

Table 7 Encoding of fields Request

Byte position	Bits in byte	Field	Value	Interpretation
0	7:1	7-bit I ² C-Slave address	0x00 to 0x7F	I ² C address. Default Sensor Address is 0x68. On Point-to-Point connections Master also can use address 0x7F — “any sensor”.
	0	direction bit	0 or 1	Read/Write bit encoding Read = 1, Write = 0.
1	7:4	Command	1,2,3,4	0x1 - Write RAM 0x2 - Read RAM 0x3 - Write EE ⁽¹⁾⁽²⁾ 0x4 - Read EE ⁽¹⁾ <i>0x0, 0x5..0xF - Reserved for future use.</i>
	3:0	Number of Data bytes	0..15	The number of bytes to read/write. Value range from 1 to 15; 0 means 16 bytes. E.g. for write 1 byte to sensor RAM this byte should be 0x11 (Command = WriteRAM, NrOfBytes = 1)
2:3		RAM Address, MSB first		Address in sensor’s RAM.
4:(3+N)		N bytes of Data (N=1..16)		Data for Writing (N = 1..16 bytes) This field is present only for commands “Write RAM” and “Write EEPROM”. For commands “Read RAM” and “Read EEPROM” N=0.
4+N		Checksum		Arithmetic sum of the bytes sent (not including first byte with address and direction bit). See Appendix A for code example.

Table 8 Response (Request Completed)

Byte position	Bits in byte	Field	Value	Interpretation
0	7:1	7-bit I2C-Slave address	0x68	I ² C address. Default Sensor Address is 0x68. On Point-to-Point connections Master also can use address 0x7F — “any sensor”.
	0	direction bit	0 or 1	Read/Write bit encoding Read = 1, Write = 0.
1	7:4	Command	1,2,3,4	0x1 - Write RAM 0x2 - Read RAM 0x3 - Write EE ⁽¹⁾⁽²⁾ 0x4 - Read EE ⁽¹⁾ 0x0, 0x5...0xF - <i>Reserved for future use.</i>
	3:1	Reserved	000	<i>Reserved for future use, should be 000 for compatibility.</i>
	0	Complete/Incomplete bit	1 (Completed)	Complete/Incomplete bit. 1-Complete, 0-Incomplete.
2:(1+N)		N bytes of Data (N=1..16)		Data read (N = 1..16 bytes) This field is present only for commands “Read RAM” and “Read EEPROM”. For command “Write RAM” and “Write EEPROM” N=0.
2+N		Checksum		Arithmetic sum of the bytes sent (not including first byte with address and direction bit). See Appendix A for code example.

Table 9 Response (Request Uncompleted)

Byte position	Bits in byte	Field	Value	Interpretation
0	7:1	7-bit I2C-Slave address	0x68	I ² C address. Default Sensor Address is 0x68. On Point-to-Point connections Master also can use address 0x7F — “any sensor”.
	0	direction bit	0 or 1	Read/Write bit encoding Read = 1, Write = 0.
1	7:4	Command	1,2,3,4	0x1 - Write RAM 0x2 - Read RAM 0x3 - Write EE ⁽¹⁾⁽²⁾ 0x4 - Read EE ⁽¹⁾ 0x0, 0x5...0xF - <i>Reserved for future use.</i>
	3:2	Reserved	00	<i>Reserved for future use, should be 00 for compatibility.</i>
	1	Invalid Data	0 or 1	See Note 2
	0	Complete/Incomplete bit	0 (Incomplete)	Complete/Incomplete bit. 1-Complete, 0-Incomplete.
2:(N)		N bytes of Data (N=1..16)		N = expected number of Data bytes (1..16) for commands “Read RAM” and “Read EEPROM”. ⁽³⁾
2+N		Checksum		Arithmetic sum of the bytes sent (not including first byte with address and direction bit). See Appendix A for code example.

Notes:

1. The commands ReadEEPROM and WriteEEPROM are legal only for sensors with external EEPROM! (K22 with EEPROM/K30/K33/K45/K50)
2. External EEPROM has page size of 16 bytes. If data in command "Write EEPROM" crosses bound of the EEPROM page, bit "Write error" is set and write command is not executed.
3. I²C-Slave sends Operation Status byte with flag "Incomplete" until I²C-Master finishes transaction. I²C-Slave cannot process Request when communication is active; hence I²C-Master have to send Stop Condition if it gets status "Incomplete". In current implementation of communication, Master should read all expected bytes of Response, independent of flag "Complete/Incomplete".

5. Read/write RAM/EEPROM sequences

5.1. RAM and EEPROM

There are four command sequences supported, "Write RAM", "Read RAM", "Write EEPROM" and "Read EEPROM".

Note that Read/Write EEPROM commands are supported only by sensors with external EEPROM. K20 and K22 sensors without EEPROM don't respond on EEPROM commands.

Table 10

Sensor type	EEPROM	Size	Notes
K20-4B	NO		Virtual EEPROM available
K20-4BP	NO		Virtual EEPROM available
K20-FH	NO		Virtual EEPROM available
K20-FHP	NO		Virtual EEPROM available
K20-PO	NO		Virtual EEPROM available
K20-POP	NO		Virtual EEPROM available
K22-4B	NO		Virtual EEPROM available
K22-FH	NO		Virtual EEPROM available
K22-LN	YES	128B	
K22-PWM	YES	128B	
K22-OC	YES	128B	
K30	YES	128B	
K30-LN	YES	128B	
K33	YES	8KB	
K33 BLG/ELG	YES	64KB	
K45	YES	16KB	
K50	YES	8KB	

5.2. Write RAM

Master writes up to 16 bytes to Sensor's RAM.

Request:

I ² C Start condition	7-bit I ² C Address	Read/Write bit	Command high nibble	Number of bytes Low nibble	RAM address	Data to write	checksum	I ² C Stop condition
	Sensor addr.	0 (write)	0x1	0..0xF				

"Write Complete" Response:

I ² C Start condition	7-bit I ² C Address	Read/Write bit	Command high nibble	Status bit	checksum	I ² C Stop condition
	Sensor addr.	1 (read)	0x11	1 byte		

"Write Incomplete" Response:

I ² C Start condition	7-bit I ² C Address	Read/Write bit	Command high nibble	Status bit	checksum	I ² C Stop condition
	Sensor addr.	1 (read)	0x10	1 byte		

5.3. Read RAM

Master reads up to 16 bytes from Sensor's RAM.

Request:

I ² C Start condition	7-bit I ² C Address	Read/Write bit	Command high nibble	Number of bytes Low nibble	RAM address	checksum	I ² C Stop condition
	Sensor addr.	0 (write)	0x2	0..0xF			

"Read Complete" Response:

I ² C Start condition	7-bit I ² C Address	Read/Write bit	Command high nibble	Status bit	Read Data	checksum	I ² C Stop condition
	Sensor addr.	1 (read)	0x21	1 byte			

"Read Incomplete" Response:

I ² C Start condition	7-bit I ² C Address	Read/Write bit	Command high nibble	Status bit	All other bytes	I ² C Stop condition
	Sensor addr.	1 (read)	0x20	1 byte	0x20	

5.4. Write EEPROM

Master writes up to 16 bytes to Sensor's external EEPROM (available only in K22/K30/K33/K45/K50 versions)

Request:

I ² C Start condition	7-bit I ² C Address	Read/Write bit	Command high nibble	Number of bytes Low nibble	EEPROM address	Data to write	check sum	I ² C Stop condition
	Sensor addr.	0 (write)	0x3	0..0xF				
	1 byte		1 byte		2 bytes	1..16 bytes	1 byte	

“Write Complete” Response:

I ² C Start condition	7-bit I ² C Address	Read/Write bit	Command high nibble	Status bit	checksum	I ² C Stop condition
	Sensor addr.	1 (read)	0x31			
	1 byte		1 byte		1 byte	

“Write Incomplete” Response:

I ² C Start condition	7-bit I ² C Address	Read/Write bit	Command high nibble	Status bit	checksum	I ² C Stop condition
	Sensor addr.	1 (read)	0x30			
	1 byte		1 byte		1 byte	

5.5. Read EEPROM

Master reads up to 16 bytes from Sensor's external EEPROM (available only in K22/K30/K33/K45/K50 versions)

Request:

I ² C Start condition	7-bit I ² C Address	Read/Write bit	Command high nibble	Number of bytes Low nibble	EEPROM address	checksum	I ² C Stop condition
	Sensor addr.	0 (write)	0x4	0..0xF			
	1 byte		1 byte		2 bytes	1 byte	

“Read Complete” Response:

I ² C Start condition	7-bit I ² C Address	Read/Write bit	Command high nibble	Status bit	Read Data	checksum	I ² C Stop condition
	Sensor addr.	1 (read)	0x41				
	1 byte		1 byte		1..16 bytes	1 byte	

“Read Incomplete” Response:

I ² C Start condition	7-bit I ² C Address	Read/Write bit	Command high nibble	Status bit	All other bytes	I ² C Stop condition
	Sensor addr.	1 (read)	0x40		0x40	
	1 byte		1 byte			

6. Limitations

6.1. Important notice:

Sensor's I²C communication is not implemented as a hardware block but it is implemented in software instead. It imposes its limitations on the performance and compliance with I2C general specification. Limitations include:

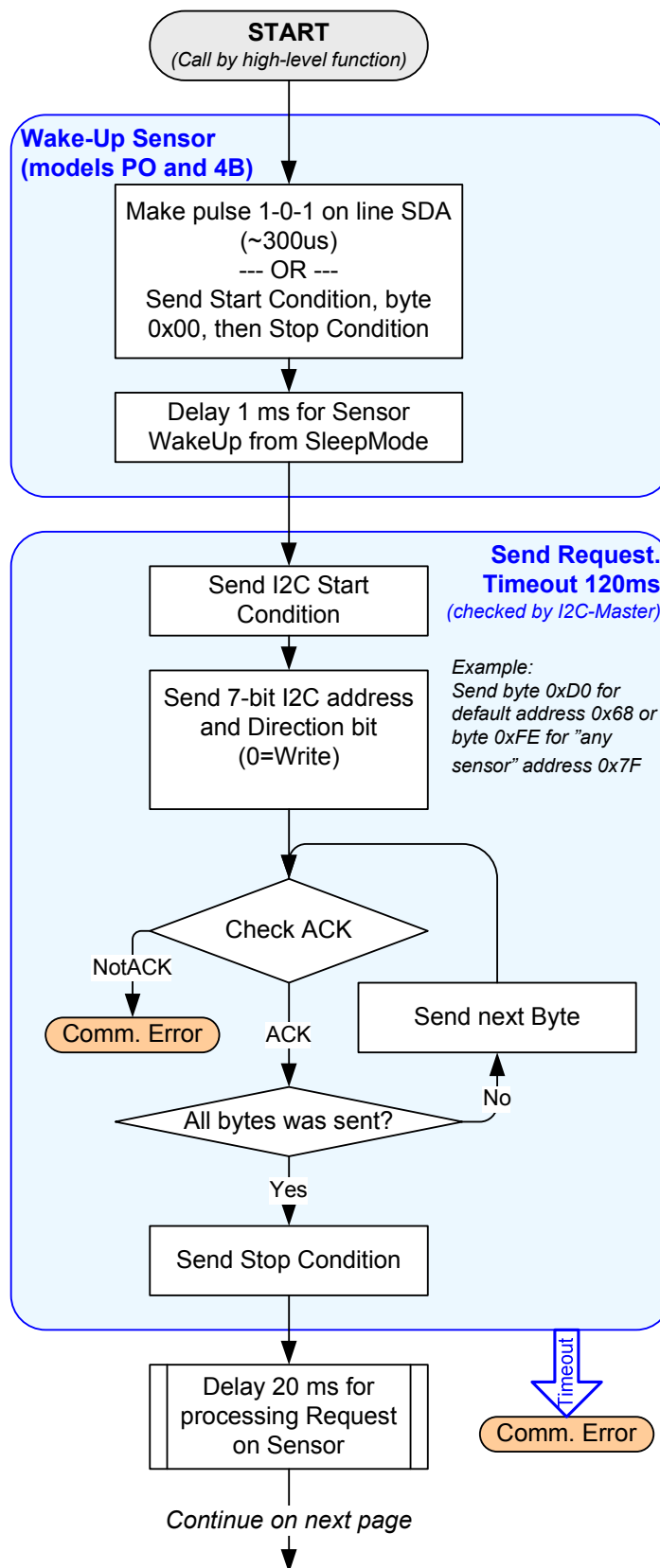
1. There is a dead time in communication when sensor performs measurement.
2. Communication with sensors networked on the same I2C bus may be complicated by the fact that there is no hardware detection of the address. The consequence is the response of all sensors on the first byte with address by ACK bit. Read more about ACK bit in chapter [Acknowledge](#).
3. Moreover if one of networked on the same I2C bus sensors is measuring, it will keep SCL line low until measurement finish. See chapter [Use of the clock synchronizing mechanism as a handshake](#) for more detailed description.

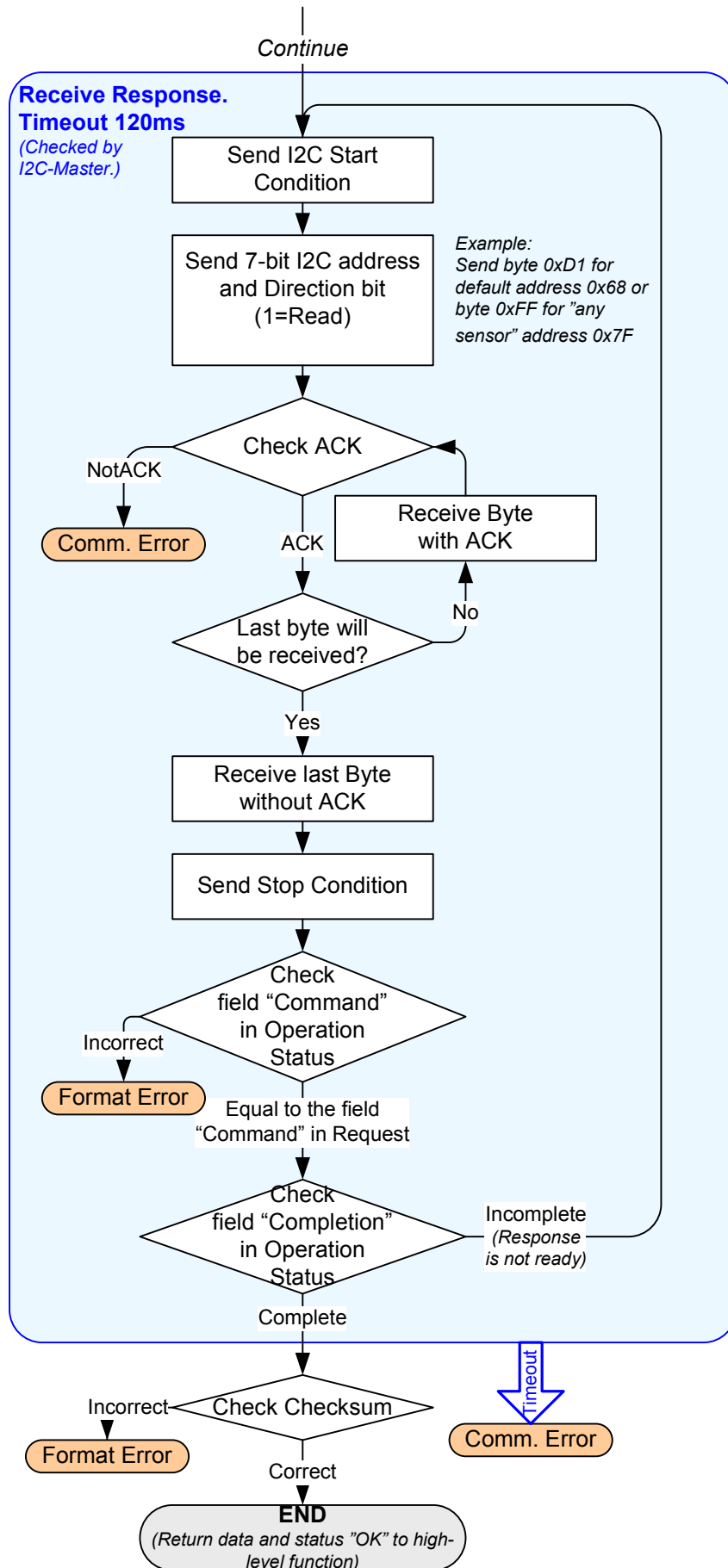
6.2. Sensor dead time:

The sensor is equipped with only a small microcontroller that handles both measurements and communication, since the quality of measurements are of highest priority there are some limitation to the way communication is handled. While the sensor is actively measuring CO₂, communication is switched off (i.e. I²C interrupts are disabled) not to disturb the measurements. This will have the effect that there will be a short period during which the sensor will not respond to I²C Bus activities. This period is short and the impact on communication is very limited. However, when designing an I²C system where the sensor is a component this situation needs to be handled correctly. It may be necessary to implement checks and actions if a command sent to the sensor has failed to execute correctly. The sensor protocol has therefore a mandatory check of status after each command, with 1 bit (complete/not complete) that will tell if the command has been executed by the sensor.

7. Flowchart of master operation and error handling

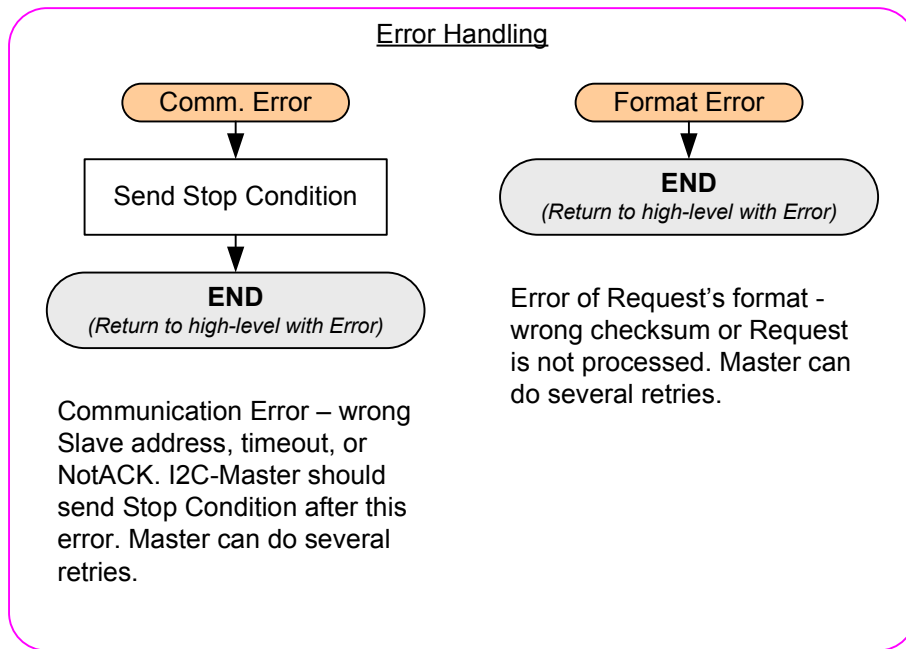
Figure 12





Continue on next page

Continue



8. Sensor memory guide

8.1. RAM/EEPROM write precautions

The Read/Write RAM/EEPROM gives access to the whole memory area of the microprocessor and external EEPROM. The user must take care when writing to not overwrite any RAM/EEPROM location that could compromise the execution of the sensor firmware such as calibration data, stack variables and other local variables.

8.2. Important variables

Memory maps are product specific, but CO₂ value keeps its location. It is located in RAM at address 0x08 (high byte) and 0x09 (low byte). Refer examples in Appendix B

Table 11 Measured value and status

Variable	Address	Format	Notes
Space CO ₂	0x08 in RAM	2 bytes signed integer Most significant byte at lower address	Negative readings are possible, in particular at nitrogen / zero gas flow test.
Space temperature	0x12 in RAM	2 bytes signed integer, two decimals (value xxxx = xx.xx°C) Most significant byte at lower address	Only K33 BLG/ELG and K45
RH	0x14 in RAM	2 bytes signed integer, two decimals (value xxxx = xx.xx%) Most significant byte at lower address	Only K33 BLG/ELG
Error Status	0x1E in RAM	1 Byte, bit field	Error discovered during self test is indicated by setting one of the bits in the Error Status byte to 1. Normal operation without errors is indicated by Error Status = 0. Details about error status are product specific and may be found in product technical documentation

Table 12 Meter Control byte

Variable	Product	Memory map identification	Address	Notes
MeterControl	K22	<=0x0A	0x3E, EEPROM	Only on sensors with external EEPROM
	K30	<=0x27	0x3E, EEPROM	
	K33	<=0x2B	0x03, EEPROM	
	K50	<=0x2D	0x03, EEPROM	

See information on use of meter control in the following bellow chapters.

8.3. Sensor and firmware identifications

Table 13 Firmware identification bytes

Variable	Address	Format	Notes
Firmware Type	0x62 RAM	Byte unsigned	
Revision Main	0x63 RAM	Byte unsigned	
Revision sub	0x64 RAM	Byte unsigned	

Table 14 Sensor type, number and memory map identification bytes

Variable	Address	Format	Notes
Sensor Type Id	0x2C RAM	3 bytes unsigned word, Most significant byte first	This parameter is copied to the RAM from EEPROM at power up.
Sensor's serial number	0x28 RAM	4 bytes unsigned word, Most significant byte first	This parameter is copied to the RAM from EEPROM at power up.
Memory map identification	0x2F RAM	Byte unsigned	This parameter is written to RAM by firmware at power up.

Table 15 I²C address

Variable	Address	Format	Notes
I ² C address	0x20 in RAM 0x00 in EEPROM	Byte unsigned	Sensor address is stored in EEPROM and is copied to RAM at sensor start. In order to change I ² C address it's necessary to write value to EEPROM and power down and then power up the sensor

8.4. ABC parameters and control

Table 16 (not valid for K45)

Variable	Address	Format	Notes
ABC Period	0x40	2 bytes unsigned word. MS byte at lower address	Units: 1 hour ABC is disabled by writing 0 to the ABC period.
ABC enable / disable	Bit 1 in MeterControl in EEPROM ¹	Bit, 1 – disabled 0 – enabled	Disable: read MeterControl byte, Set bit 1 to 1 (OR 0x02) and write to MeterControl Enable: read MeterControl byte, Reset bit 1 to 0 (AND 0xFD) and write to MeterControl

Note:

1. The sensor has to be restarted (power cycle off and on) after MeterControl in EEPROM has been changed in order to activate the new configuration.

8.5. Fractional filter parameters

Sensor's firmware takes average of several signal measurements to provide more accurate and low noise in output carbon dioxide value.

This digital filter is implemented as fractional filter algorithm, where new filtered value is calculated as sum of old filtered value and fraction of difference between old filtered value and measured momentary value of the signal. Fraction is always represented as division by 2^n , where n is named as "Frac" parameter.

In order to get advantages of filtering with high value of "Frac" parameter and at the same time improve response on the fast change of CO₂ concentration, the algorithm of calculation of "Frac" parameter is utilized. It decreases value of "Frac" parameter when signal changes fast and it increases "Frac" parameter when signal doesn't trend to change. This algorithm is named as "Dynamical frac" algorithm.

Both fractional filter and dynamical frac algorithms can be enabled and disabled. In some later versions of firmware it is possible to configure minimum and maximum limits for "Frac" parameters change by dynamical frac algorithm.

Table 17 (not valid for K45)

Variable	Address	Format	Notes
Fractional algorithm enable / disable	Bit 2 in MeterControl EEPROM ¹	Bit, 1 – disabled 0 – enabled	Disable: read MeterControl byte, Set bit 2 to 1 (OR 0x04) and write to MeterControl Enable: read MeterControl byte, Reset bit 2 to 0 (AND 0xFB) and write to MeterControl
Dynamical frac algorithm enable / disable	Bit 3 in MeterControl EEPROM ¹	Bit, 1 – disabled 0 – enabled	Disable: read MeterControl byte, Set bit 3 to 1 (OR 0x08) and write to MeterControl Enable: read MeterControl byte, Reset bit 2 to 0 (AND 0xFB) and write to MeterControl
DefaultFrac	0x4A in EEPROM ¹	Unsigned	Value in 1..8 range

Note:

1. The sensor has to be restarted (power cycle off and on) after MeterControl in EEPROM has been changed in order to activate the new configuration.

8.6. Signal and calibration parameters

Table 18 (not valid for K45)

Variable	Address	Format	Notes
"Old"	0x06 in RAM	2 bytes unsigned word. MS byte at lower address	Variable represents filtered and processed signal from optical detector. Name is given after name in code meaning filtered value
Zero	0x38 in EEPROM ¹	2 bytes unsigned word. MS byte at lower address	Calibration parameter individually measured for each sensor at calibration at factory. Shouldn't be changed. Read only
ZeroTrim	0x48 in EEPROM ¹	2 bytes Signed word. MS byte at lower address	Calibration correction parameter. It is added to Zero calibration parameter during CO2 concentration calculation. May be both positive and negative. This parameter is to be used for sensor calibration in the field.
BCC	0x3C in EEPROM ¹	2 bytes unsigned word. MS byte at lower address	Calibration parameter individually set for each sensor at calibration at factory. It is used for background calibration Shouldn't be changed. Read only

Note:

1. The sensor has to be restarted (power cycle off and on) after MeterControl in EEPROM has been changed in order to activate the new configuration.

8.7. Commands available through SCR

The Special Command Register (SCR), gives access to commands other than ReadRAM and WriteRAM, these commands are called by writing the appropriate command code to RAM address 0x60 (see memory map)

The user must take care when writing to not overwrite any EEPROM location that could compromise the execution of the sensor firmware such as configuration and calibration data. The EEPROM (virtual EEPROM) accessed by SCR register is a part of sensor Flash and has nothing to do with external EEPROM in K22/K30/K33/K45/K50 sensors.

Table 19 SCR Commands

Command	Code	Function	Notes
ReadEEPROM	0x1	Copies first page of EEPROM contents to RAM so it can be read through a WriteRAM command	
WriteEEPROM	0x2	Copies RAM contents to first page of EEPROM	

9. Appendix A, Checksum calculation example:

```
typedef unsigned char BYTE;
```

```
BYTE CheckSum(BYTE * buf, BYTE count) {  
    BYTE sum=0;  
    while (count>0) {  
        sum += *buf;  
        buf++;  
        count--;  
    }  
    return sum;  
}
```

Let buf point to the first byte after the "7-bit address+Direction bit" field. Byte counter count should be set to number of bytes sent excluding checksum byte.

10. Appendix B, I²C bus transaction examples

10.1. Example: Reading of CO₂ value from sensor

To read the current CO₂ concentration from the sensor we need to read memory locations 0x08 (hi byte) and 0x09 (low byte).

To do this we need to send a sequence of two I2C frames: first we send an I2C write frame containing the sensor address, command number and how many bytes to read, RAM address to read from, and a checksum. Then we send an I2C read frame to read the status, data and checksum. See chapter 2 for details.

In our case we want to read 2 bytes starting from address 0x08. This will give us data from address 0x08 and 0x09, which contains current CO₂ reading. The sensor address is 0x68 (default factory setting, configurable in EEPROM).

So, the first frame should look like:

Start | 0xD0 | 0x22 | 0x00 | 0x08 | 0x2A | Stop

- a. 0xD0 is Sensor address and read/write bit. 0x68 shifted one bit to left and R/W bit is 0 (Write).
- b. 0x22 is command number 2 (ReadRAM), and 2 bytes to read
- c. Checksum 0x2A is calculated as sum of byte 2, 3 and 4.

The next frame will read the actual data:

Start | 0xD1 | <4 bytes read from sensor> | Stop

- d. The 1:st byte from the sensor will contain operation status, where bit 0 tells us if the read command was successfully executed.
- e. The 2:nd and 3:rd byte will contain CO₂ value hi byte and CO₂ value low byte.
- f. The 4:th byte contains checksum

10.2. Example: Start background and zero calibration with I2C commands

In K30, K33 and K50 meters it is possible to start zero and background calibrations with I2C commands.

Background calibration for K30 meters look like this:

Start | 0xD0 | 0x12 | 0x00 | 0x67 | 0x7C | 0x06 | 0xFB | Stop

- a. 0xD0 is Sensor address and read/write bit. 0x68 shifted one bit to left and R/W bit is 0 (Write).
- b. 0x12 is command number 1 (WriteRAM), and 2 bytes to write
- c. 0x7C06 is background calibration command
- d. Checksum 0xFB is calculated as sum of byte 2-6.

Write complete response:

Start | 0xD1 | Command and status | C-sum | Stop

- e. 0xD1 is Sensor address and read/write bit. 0x68 shifted one bit to left and R/W bit is 1 (Read).
- f. 0x11 means write RAM command – status ok, 0x10 means write RAM command – status not ok
- g. Checksum

Zero calibration for K30:

Start | 0xD0 | 0x12 | 0x00 | 0x67 | 0x7C | 0x07 | 0xFC | Stop

- h. 0xD0 is Sensor address and read/write bit. 0x68 shifted one bit to left and R/W bit is 0 (Write).
- i. 0x12 is command number 1 (WriteRAM), and 2 bytes to write
- j. 0x7C07 is zero calibration command
- k. Checksum 0xFC is calculated as sum of byte 2-6.

Write complete response is identical as in background calibration example (ok, or not ok)

In K50 meters with memory map 8 or lower the zero and background commands are identical to K30 meters. In K50 and K33-ICB meters with memory maps higher than 8 the address to write to is moved (from 0x67, 0x68) to 0x32, 0x33 and in K33BLG/ELG to 0x42, 0x43.

10.3. Example: Reading of SpaceTemp from K33 BLG/ELG and K45

Space temperature can be read from memory locations 0x12 (hi byte) and 0x13 (low byte).

To do this a sequence of two I2C frames has to be sent to the sensor: first send a I2C write frame containing the sensor address, command number and how many bytes to read, RAM address to read from, and a checksum. Then send a I2C read frame to read the status, data and checksum. See chapter 2 for details.

In this case 2 bytes starting from address 0x12 should be read. This will give data from address 0x12 and 0x13, which contains current space temperature. The sensor address is 0x68 (default factory setting, configurable in EEPROM).

So, the first frame should look like:

Start | 0xD0 | 0x22 | 0x00 | 0x12 | 0x34 | Stop

- g. 0xD0 is Sensor address and read/write bit. 0x68 shifted one bit to left and R/W bit is 0 (Write).
- h. 0x22 is command number 2 (ReadRAM), and 2 bytes to read
- i. Checksum 0x34 is calculated as sum of byte 2, 3 and 4.

The next frame will read the actual data:

Start | 0xD1 | <4 bytes read from sensor> | Stop

- j. The 1:st byte from the sensor will contain operation status, where bit 0 tells us if the read command was successfully executed.
- k. The 2:nd and 3:rd byte will contain space temp value hi byte and space temp value low byte.
- l. The 4:th byte contains checksum

10.4. Example: Reading of RH from K33 BLG/ELG

RH can be read from memory locations 0x14 (hi byte) and 0x15 (low byte).

To do this a sequence of two I2C frames has to be sent to the sensor: first send a I2C write frame containing the sensor address, command number and how many bytes to read, RAM address to read from, and a checksum. Then send a I2C read frame to read the status, data and checksum. See chapter 2 for details.

In this case 2 bytes starting from address 0x14 should be read. This will give data from address 0x14 and 0x15, which contains current space temperature. The sensor address is 0x68 (default factory setting, configurable in EEPROM).

So, the first frame should look like:

Start | 0xD0 | 0x22 | 0x00 | 0x14 | 0x36 | Stop

- m. 0xD0 is Sensor address and read/write bit. 0x68 shifted one bit to left and R/W bit is 0 (Write).
- n. 0x22 is command number 2 (ReadRAM), and 2 bytes to read
- o. Checksum 0x36 is calculated as sum of byte 2, 3 and 4.

The next frame will read the actual data:

Start | 0xD1 | <4 bytes read from sensor> | Stop

- p. The 1:st byte from the sensor will contain operation status, where bit 0 tells us if the read command was successfully executed.
- q. The 2:nd and 3:rd byte will contain space temp value hi byte and space temp value low byte.
- r. The 4:th byte contains checksum

To read mixing ratio instead of RH change RAM start address to 0x16 and increase C-sum to 0x38.

11. Appendix C, Useful algorithms

11.1. Example: Zero calibration by calculation of ZeroTrim

Please refer [Signal and calibration parameters](#) for addresses of parameters mentioned below.

Provide zero CO₂ gas to the sensor.

Verify that conditions are stable, for example, "**Old**" has only noise but not trend.

Read "**Old**" and "**Zero**"

Calculate "**ZeroTrim**" as

$$\mathbf{ZeroTrim} = 2048 * 61440 / \mathbf{Old} - \mathbf{Zero}$$

Write new **ZeroTrim** into EEPROM and restart sensor.

11.2. Example: Background calibration by calculation of ZeroTrim

Please refer [Signal and calibration parameters](#). For addresses of parameters mentioned below.

Provide fresh air (400ppm CO₂) to the sensor.

Verify that conditions are stable, for example, "**Old**" has only noise but not trend.

Read "**Old**", "**Zero**" and "**BCC**"

Calculate "**ZeroTrim**" as

$$\mathbf{ZeroTrim} = 2048 * \mathbf{BCC} / \mathbf{Old} - \mathbf{Zero}$$

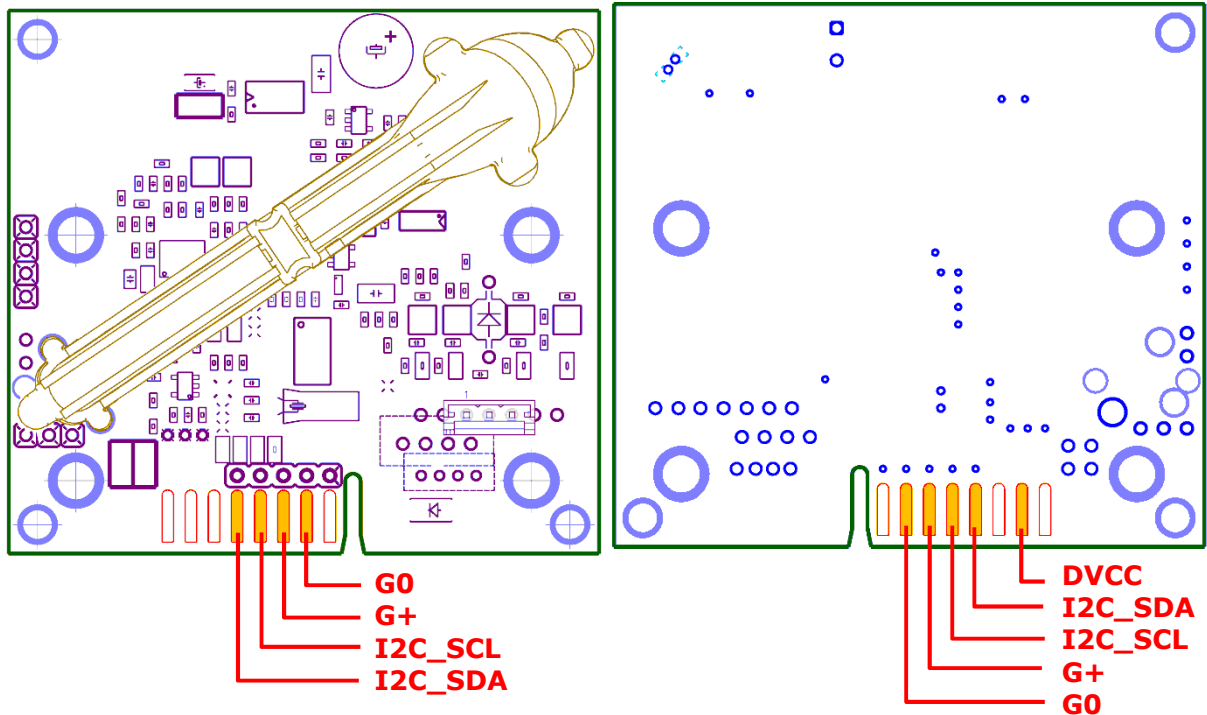
Write new **ZeroTrim** into EEPROM and restart sensor.

12. Appendix D, I²C bus terminals on factory connector

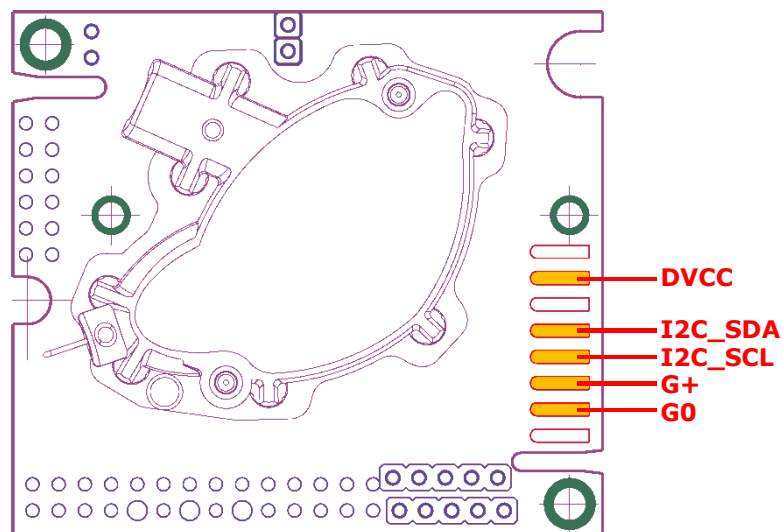
The I²C Bus pins are available at the factory edge connector. Please remember that SenseAir is not supposed to keep position or pinout of the factory connector. Figures bellow provides information for test and debug of the system and not for use for system connection.

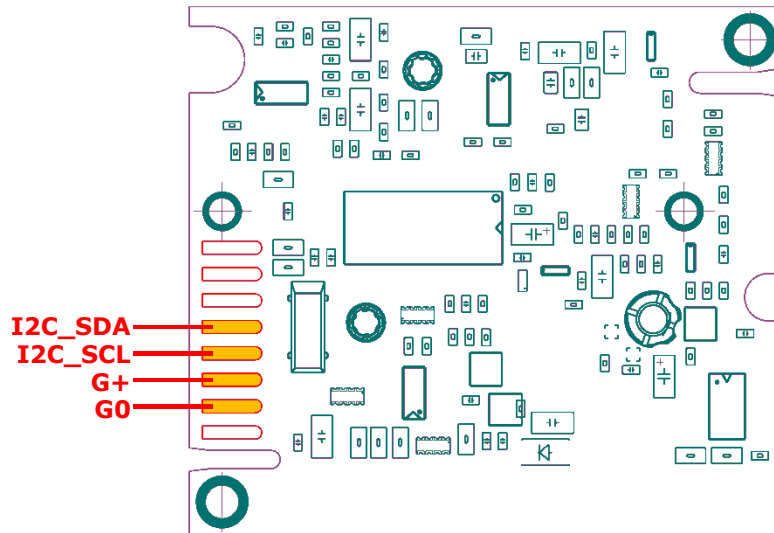
Please contact SenseAir if you are going to use factory edge connector in your system.

12.1. K22 hardware



12.2. K30 hardware





Address: SenseAir AB, Box 96, SE-820 60 Delsbo, Sweden
Phone: +46-(0)653-71 77 70 · Fax: +46-(0)653-71 77 89
E-mail: senseair@senseair.se · Home page:
www.senseair.com



13. Revision information

Revision	Date	Author	Status
			New document
1.00	2005-04-19	JE	
1.01	2005-06-16	JE	
1.02	2005-08-24	JE	Added Appendix B
1.03	2005-11-07	AP	Adds
1.04	2005-11-08	VP	Note about Write EEPROM command added.
1.05	2006-12-18	JE	New template and new name; Added K30/K50
			Red – questions from customer
1.06	2007-05-23	VP+SP	Additions and Answers for questions.
1.07	2007-06-22	PZ	Change document structure and identify diagrams / information to be added.
1.071	2007-06-27	VP	Additions and Answers for questions. Intermediate version.
1.072	2007-06-29	PZ	Discussion
1.073	2007-06-29	VP	Additions and Answers for questions.
1.075	2007-07-31	PZ	Merge versions 1.074 and 1.074vp, review document and make further comments. This is still document with remarks for development
2.01	2007-08-07	PZ	Release version 2.00 as draft for customers, continue work variant with revision 2.01
2.02	2008-05-19	PZ, IU	Continue with pictures for customers
2.03	2008-05-22	PZ	Continue with pictures for customers. Prepare final custom variant. K50 is excluded from the list in order to be able to change EEPROM/RAM maps after changes in firmware. Changes in table 9. Add calibration algorithm
2.10	2008-05-30	PZ	Release document for use by market
2.11	2008-05-30	PZ	New work document
2.12	2009-01-15	LN	Background calibration algorithm added
2.13	2009-03-24	LN	Examples for reading SpaceTemp and RH added (K33 sensors with Sensirion)
2.14	2010-01-18	LN	Zero and background calibration examples updated for K33 sensors
2.15	2011-04-15	LN	Review