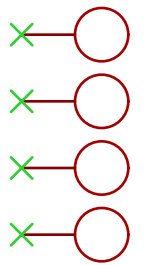
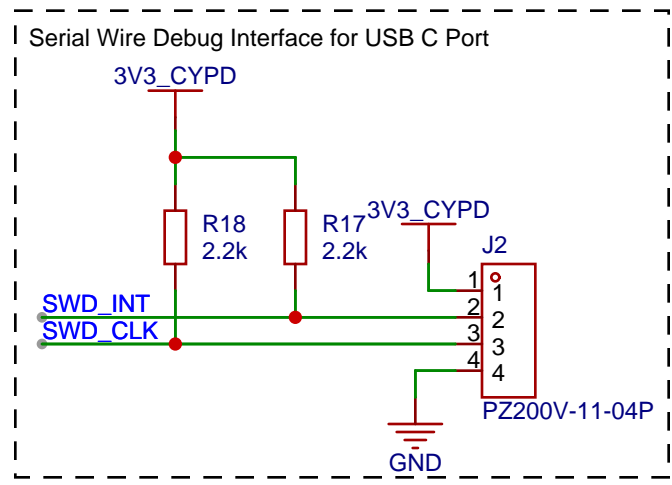
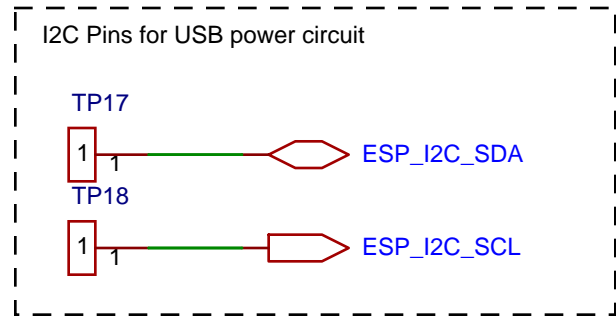
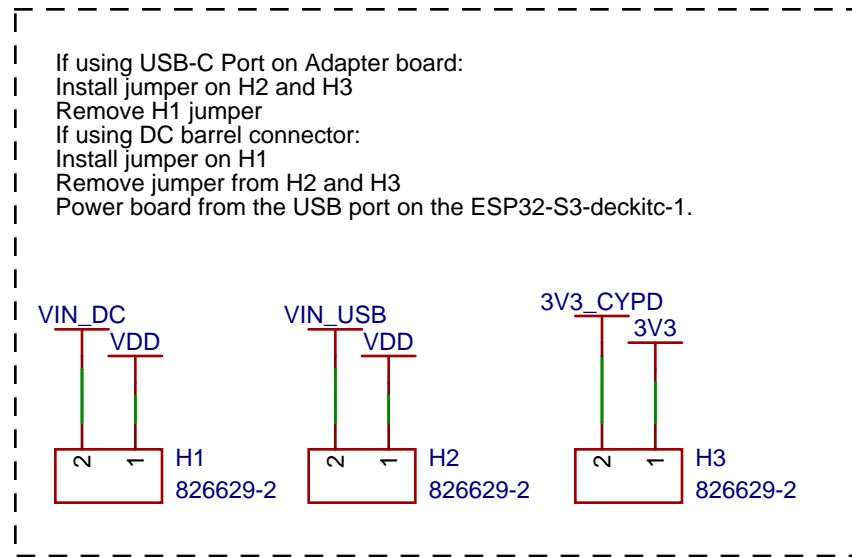
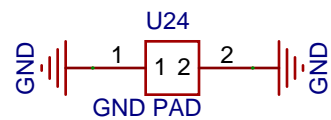
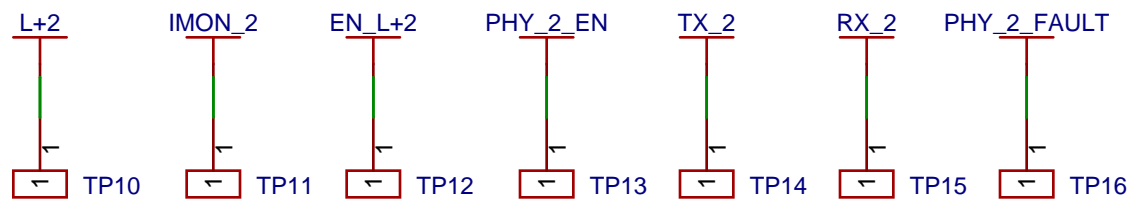
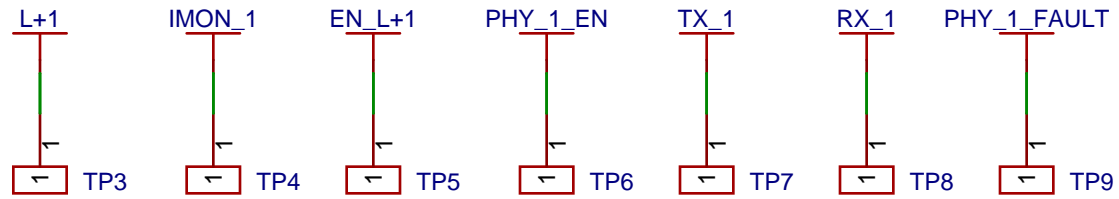
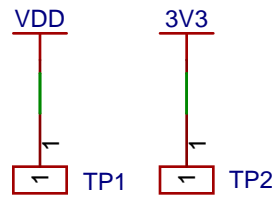
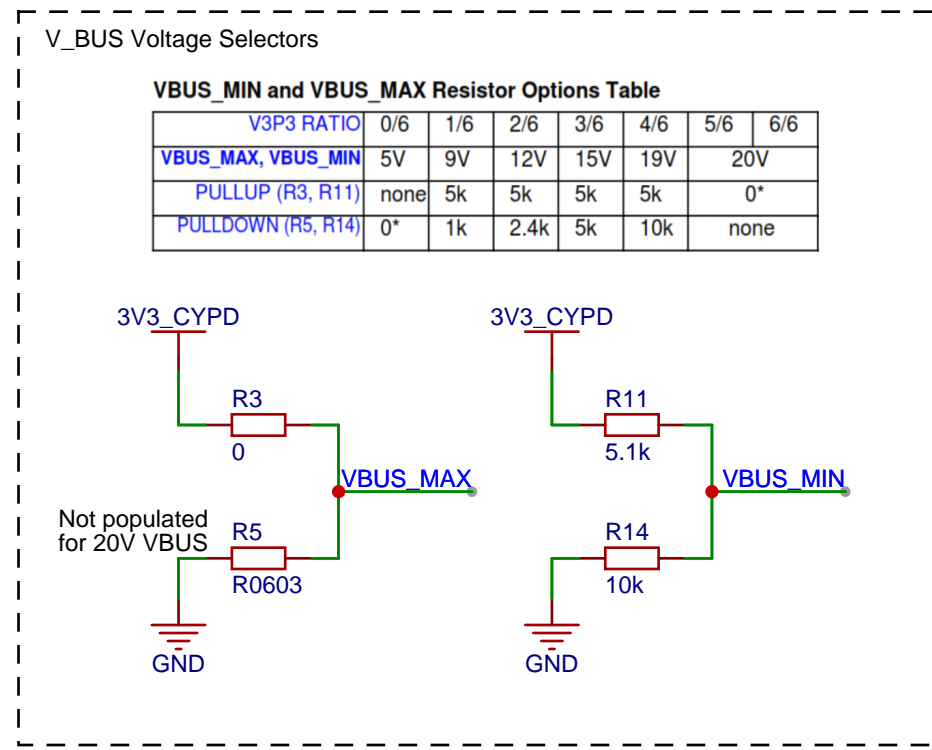
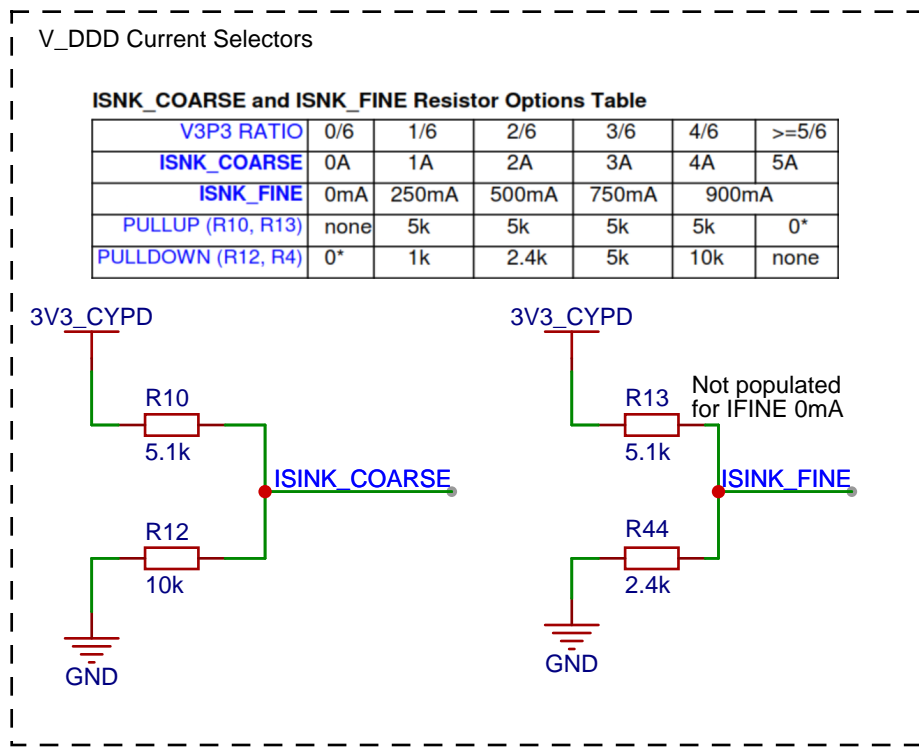
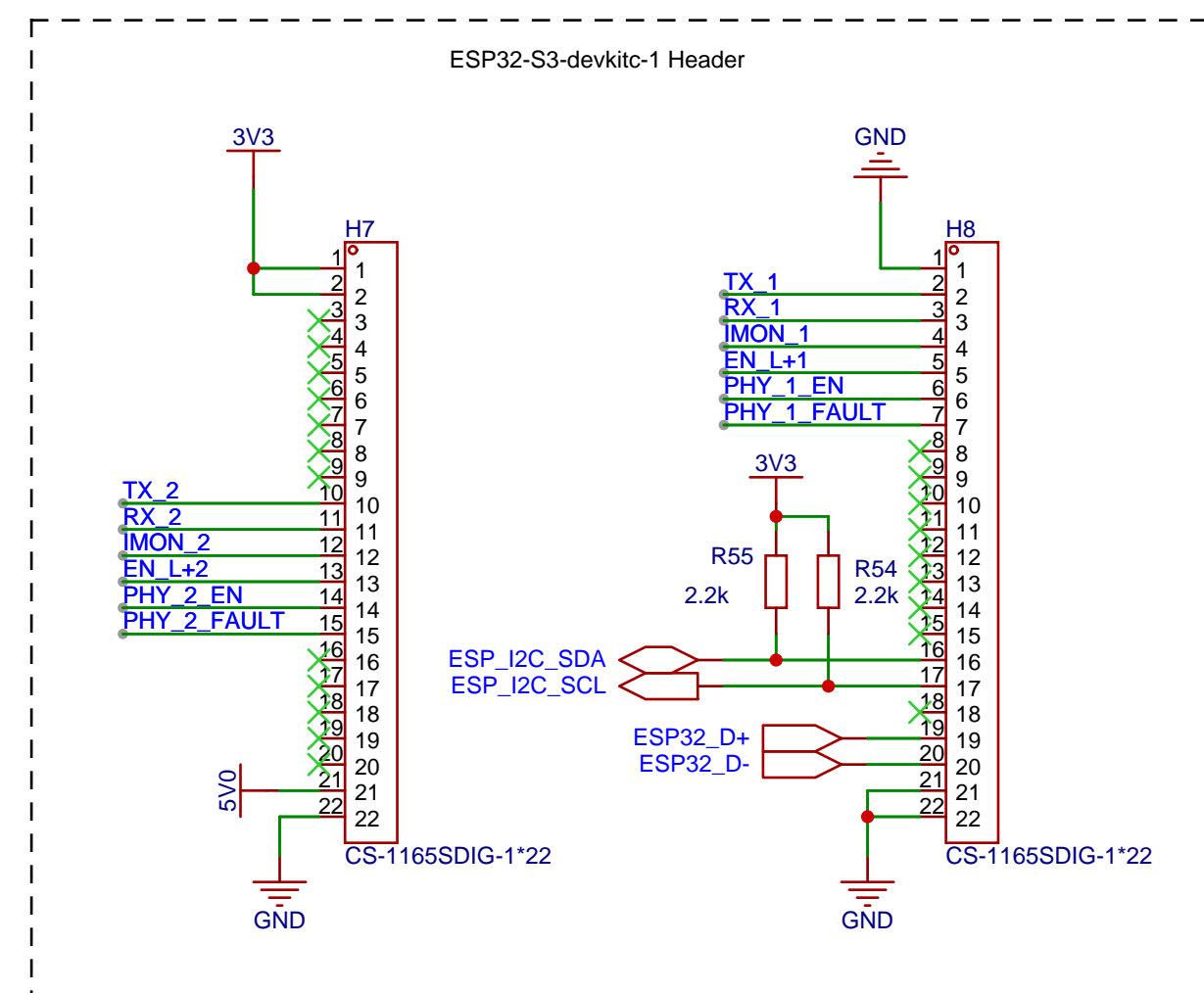
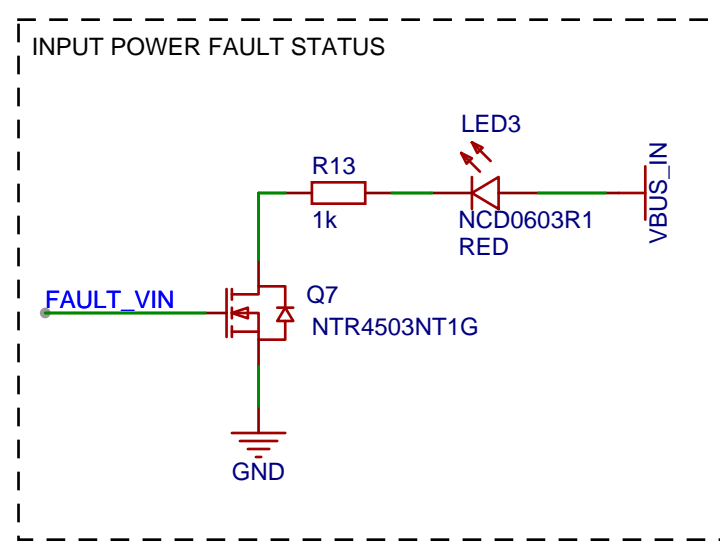
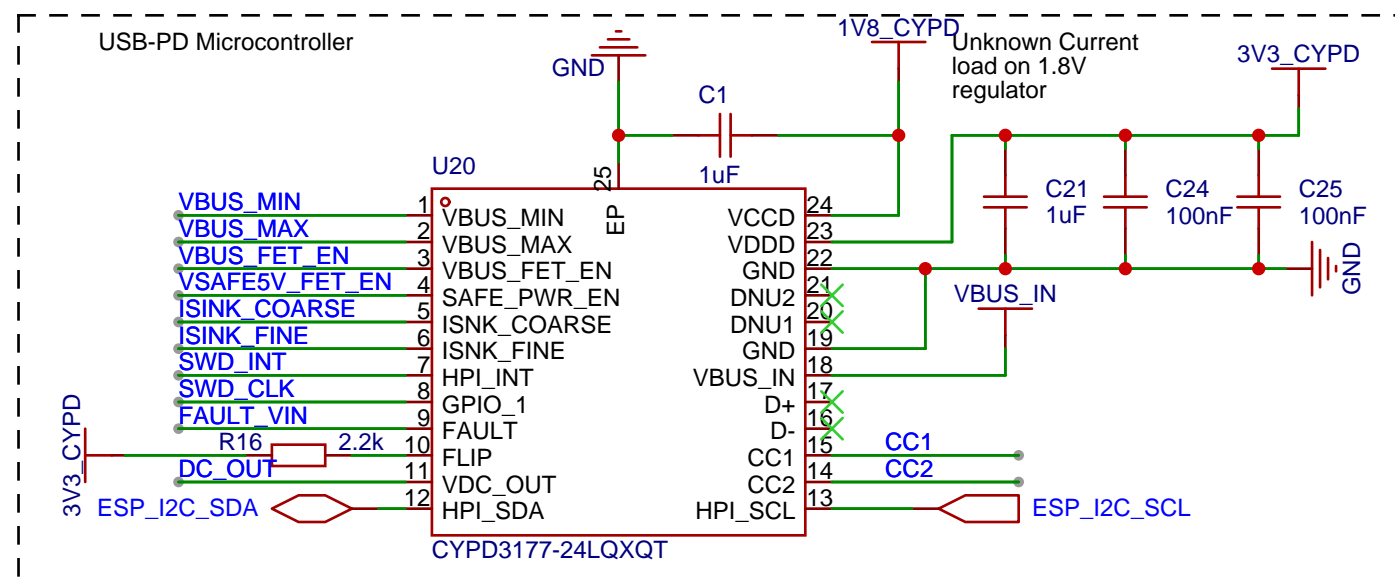
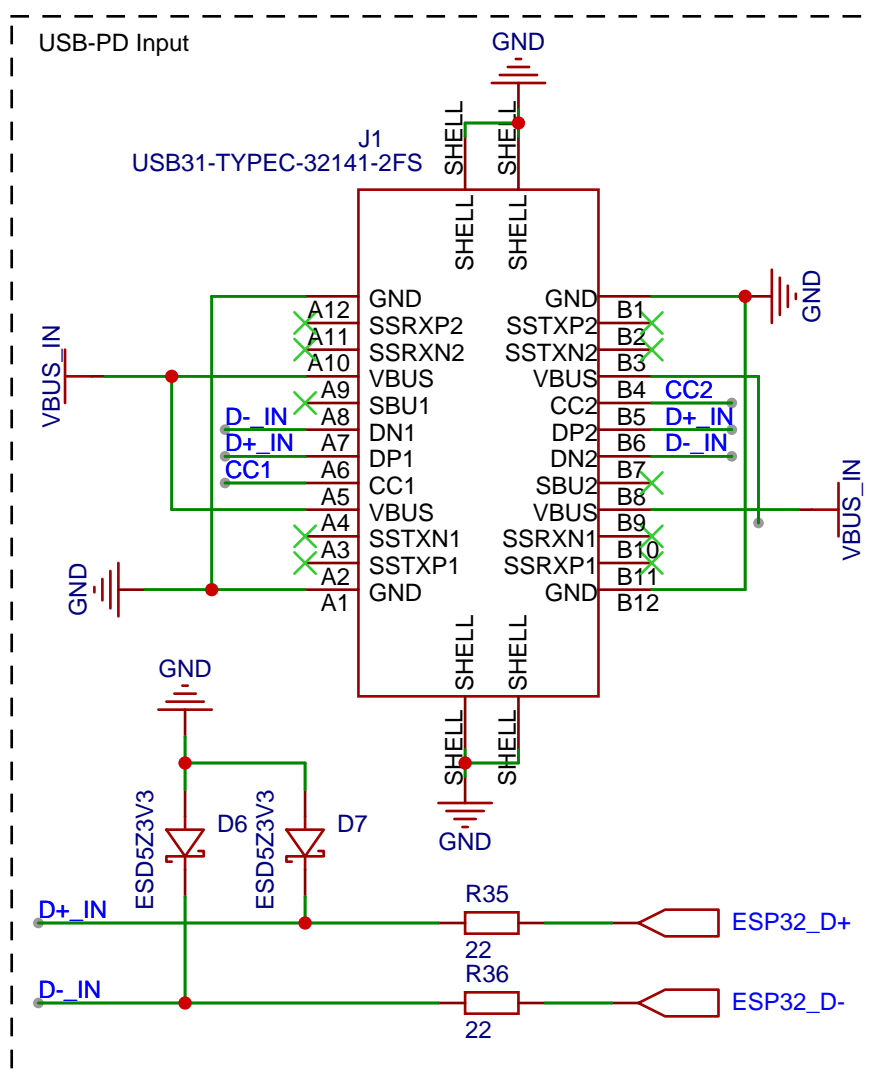
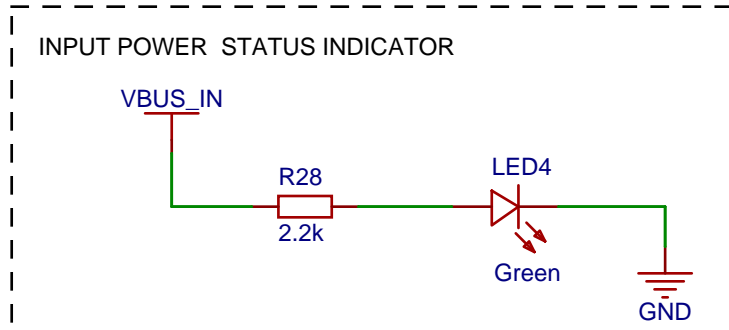
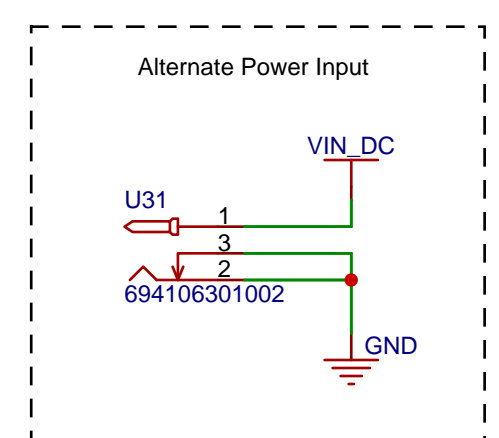
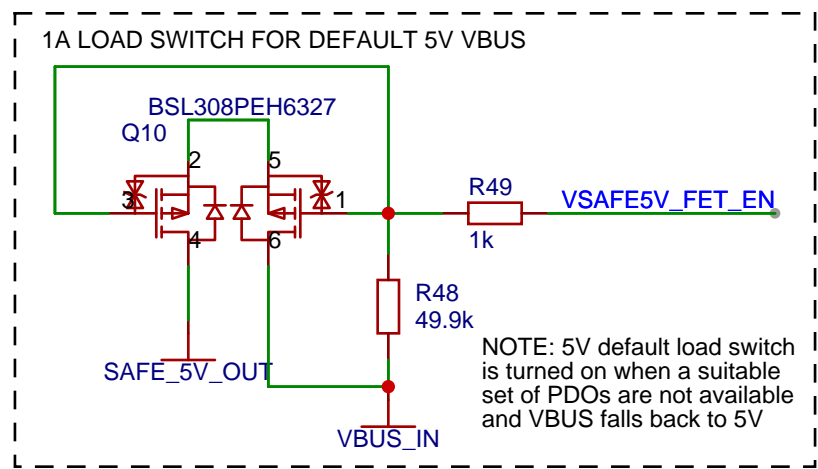
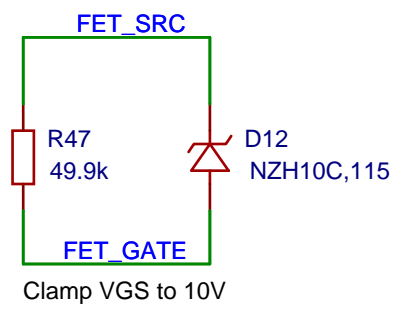
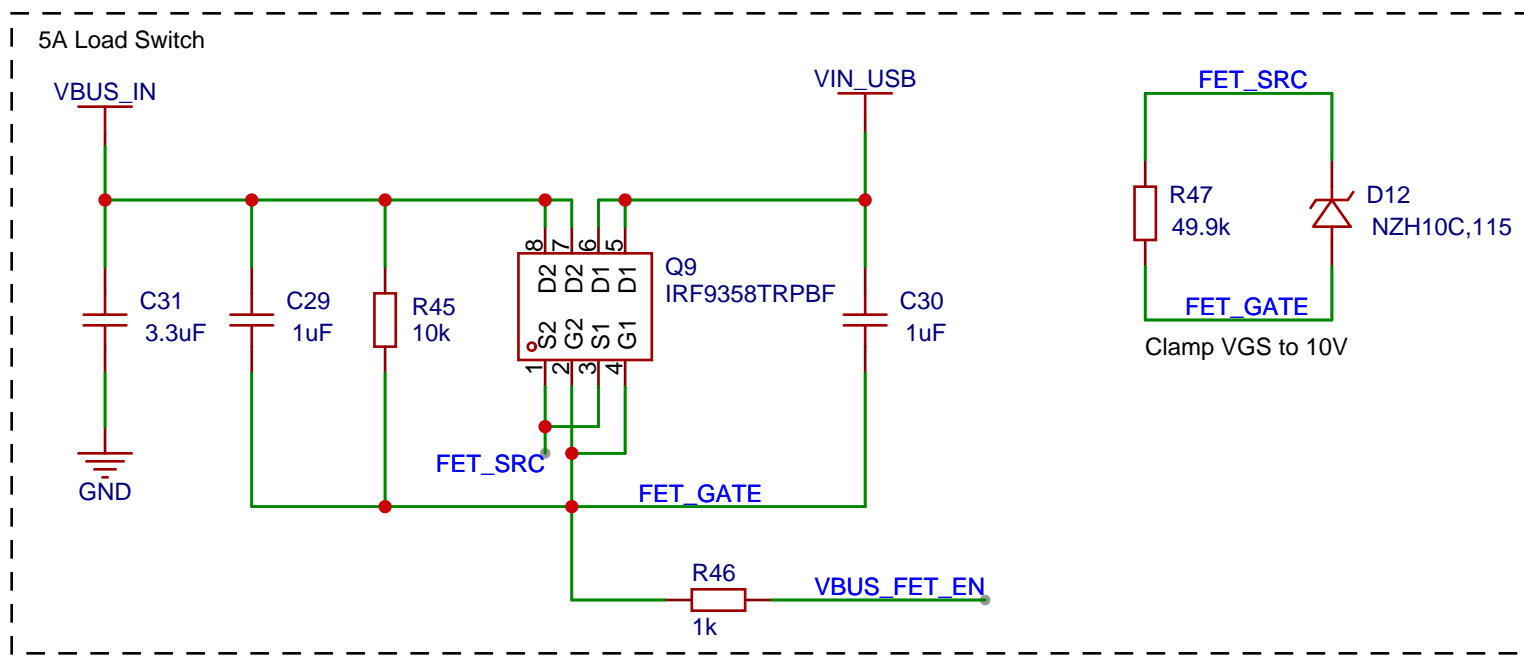


| | | | | | |
|-----------|------------------|-----------------------|------|------------------|------------|
| Schematic | IO Link Master | | | Update Date | 2023-11-17 |
| Page | IO-link Port 1/2 | | | Create Date | 2023-11-17 |
| Drawn | Laith Charles | ESP32S3_IOlink_Master | | | |
| Reviewed | Laith Charles | | | | |
| | | VER | SIZE | PAGE | 1 OF 3 |
| | | V0.1 | A4 | Dosinfection LLC | |





| | | | | | |
|-----------|-----------------------|------|------|-------------|------------|
| Schematic | IO Link Master | | | Update Date | 2023-11-17 |
| | | | | Create Date | 2023-11-17 |
| Page | Testing & Hardware | | | Part Number | |
| Drawn | ESP32S3_IOlink_Master | | | | |
| Reviewed | | | | | |
| | | | | | |
| | VER | SIZE | PAGE | 2 | OF 3 |
| | | | | | |



| | | | | | | |
|-----------|----------------------|--|-----------------------|------------|-------------|--------|
| Schematic | IO Link Master | | Update Date | 2023-11-17 | | |
| | | | Create Date | 2023-11-18 | | |
| Page | Board Header & Power | | Part Number | JLPCB-002 | | |
| Drawn | EasyEDA Pro | | ESP32S3_IOlink_Master | | | |
| Reviewed | EasyEDA Pro | | | | | |
| | | | VER | SIZE | PAGE | 3 OF 3 |
| EasyEDA | | | V0.1 | A4 | EasyEDA.com | |