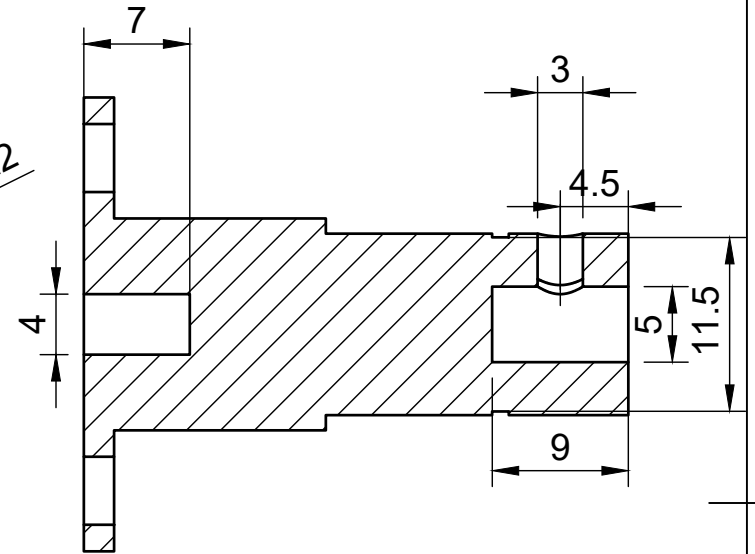
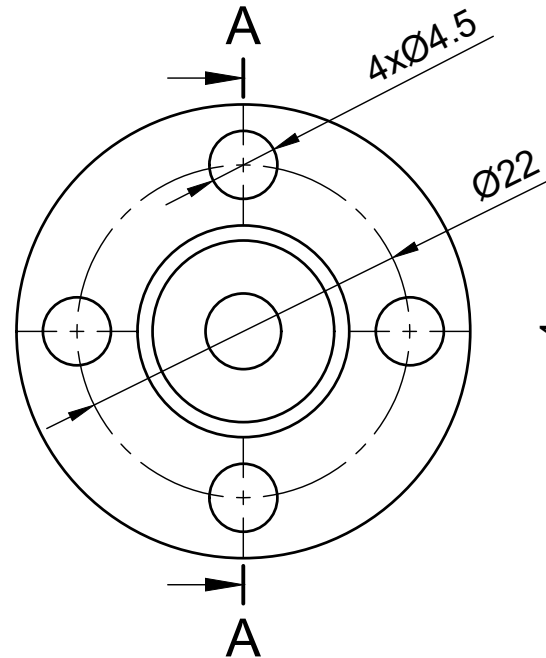
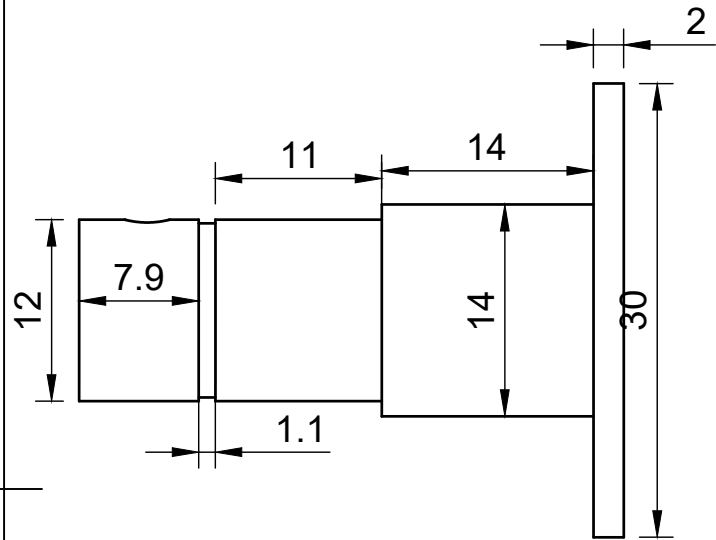


Scale: 2:1

Scale: 2:1

A-A (2:1)



Dept. DEM	Technical reference	Created by Manuel Gomes 10/05/2022	Approved by	
		Document type	Document status	
		Title veio_rolamentos_5mm	DWG No.	
		Rev.	Date of issue	Sheet 1/1