


# Page1:Table of Contents

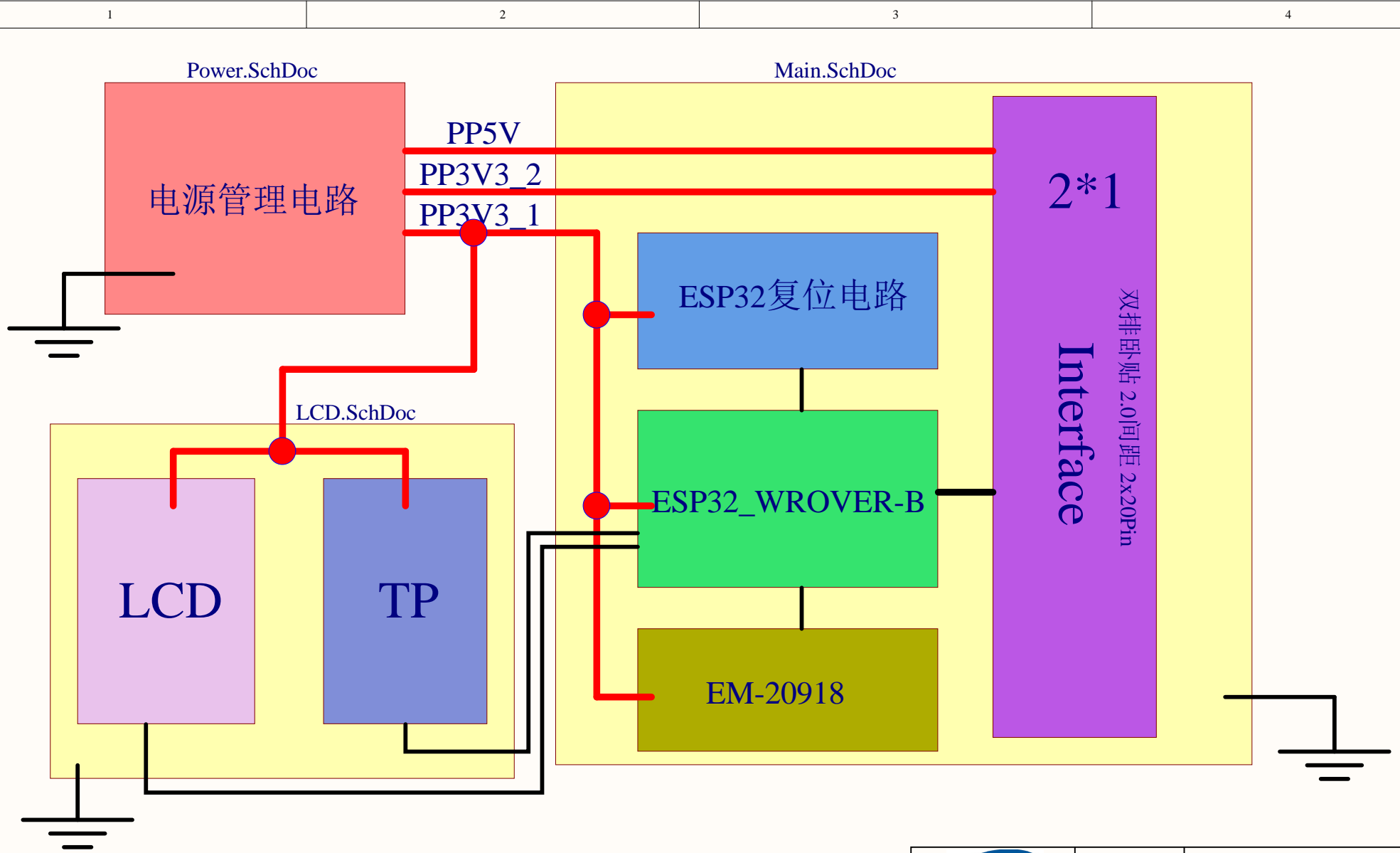
## Change List


PAGE	CONTENTS	VERSION	CONTENTS MODIFIED	QUESTION RECORDS	SYNC	DATA
1	Table	V1.0	First Design		李彦	2019-10-09
2	Diagram	V1.1				
3	Power	V1.2	在距离传感器处增加I2C通断电阻、去除电源开关		李彦	2019-10-16
4	Main	V1.3	去掉PSRAM		李彦	2019-10-16
5	LCD	V1.3	1、LCM屏改为SPI接口		李彦	2019-11-07
			2、更换连接器为2.0间距			
			3、更换红外传感器为EM20918			
			4、TP I2C总线添加分压电阻		李彦	2019-11-11
		V3.1	1、LCM屏改为HSPI接口		李彦	2019-11-19
		V3.2	1、去掉电源开关。2、掉转Type-C座子方向		李彦	2020-01-04

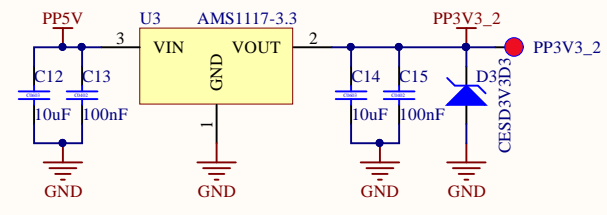
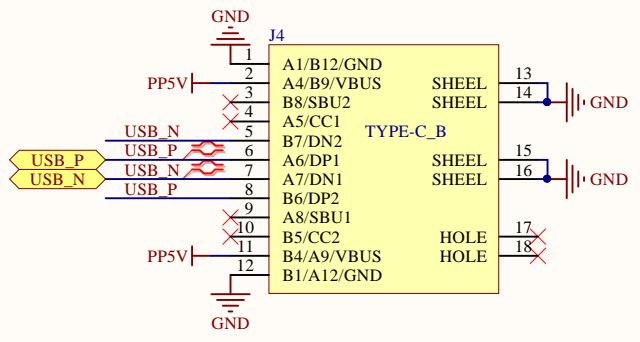
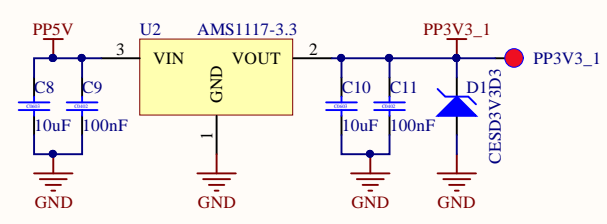
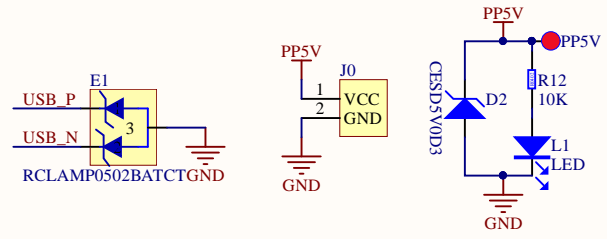
LAST\_MODIFICATION:

LAST\_MODIFICATION:

		Project	WTPHMIMainBoard.PrjPcb
		Title	01_Table.SchDoc
Customer	*	Drawn by	*
Version	*	Checked by	*
Sheet of	*	Approved by	*
Date	*	Finished coding	*

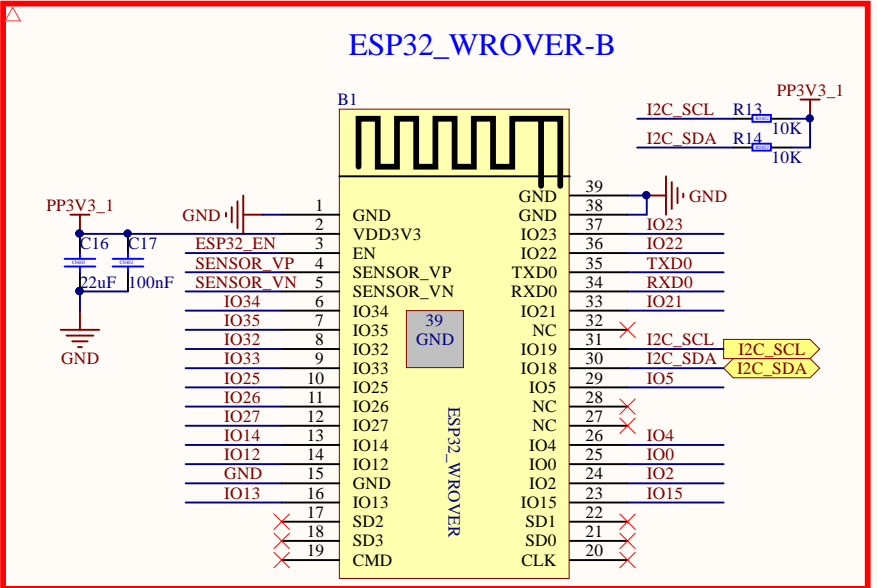


		Project	WTPHMIMainBoard.PrjPcb
		Title	02_Diagram.SchDoc
Customer	*	Drawn by	*
Version	*	Checked by	*
Sheet of	*	Approved by	*
Date	*	Finished coding	*

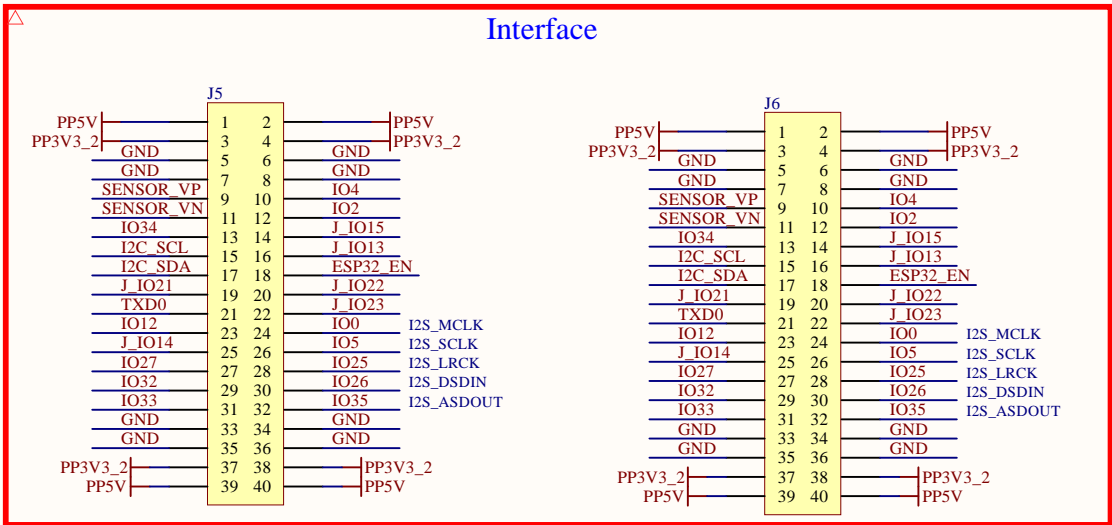


		Project	WTPHMIMainBoard.PrjPcb
		Title	03_Power.SchDoc
Customer	*	Drawn by	*
Version	*	Checked by	*
Sheet of	*	Approved by	*
Date	*	Finished coding	*

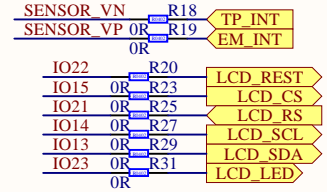
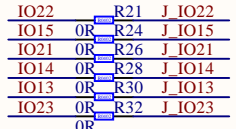
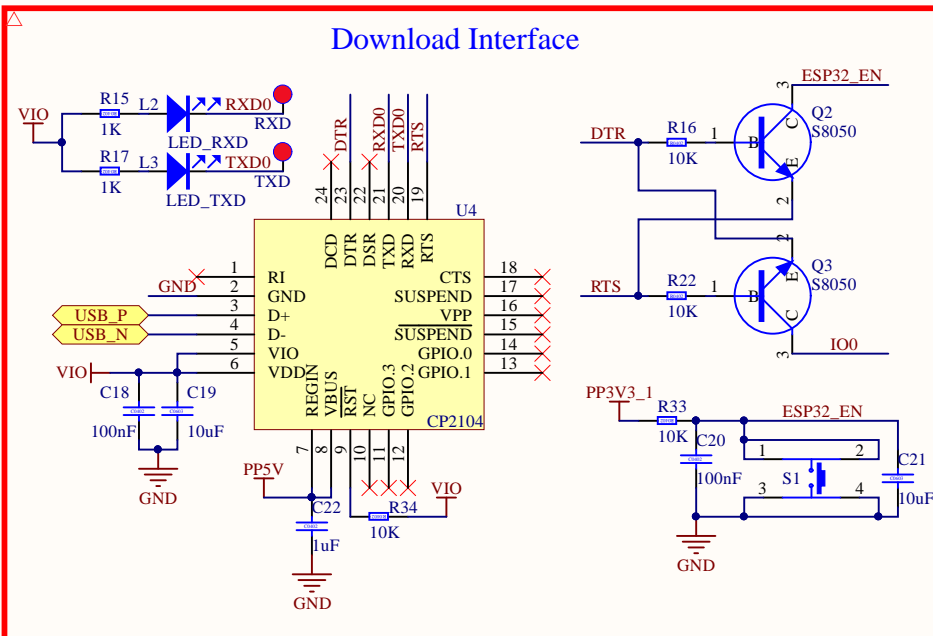
### ESP32\_WROVER-B



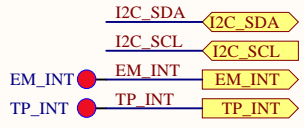
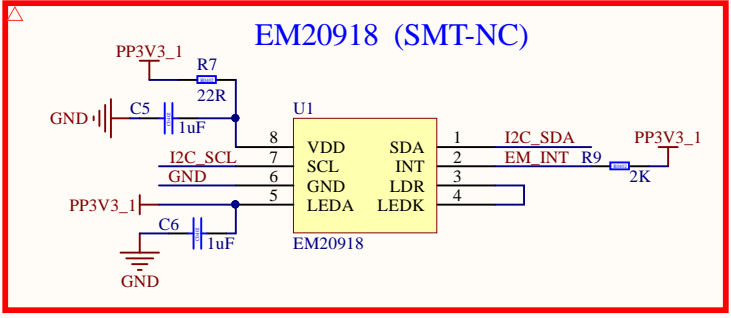
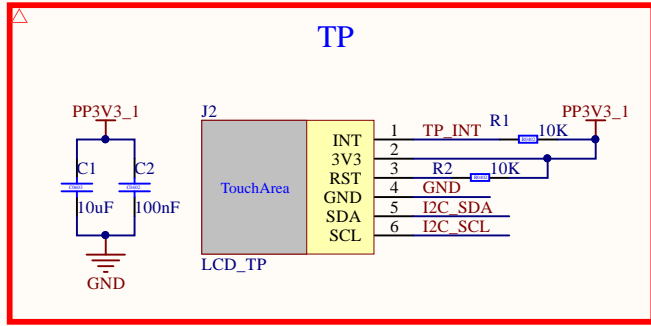
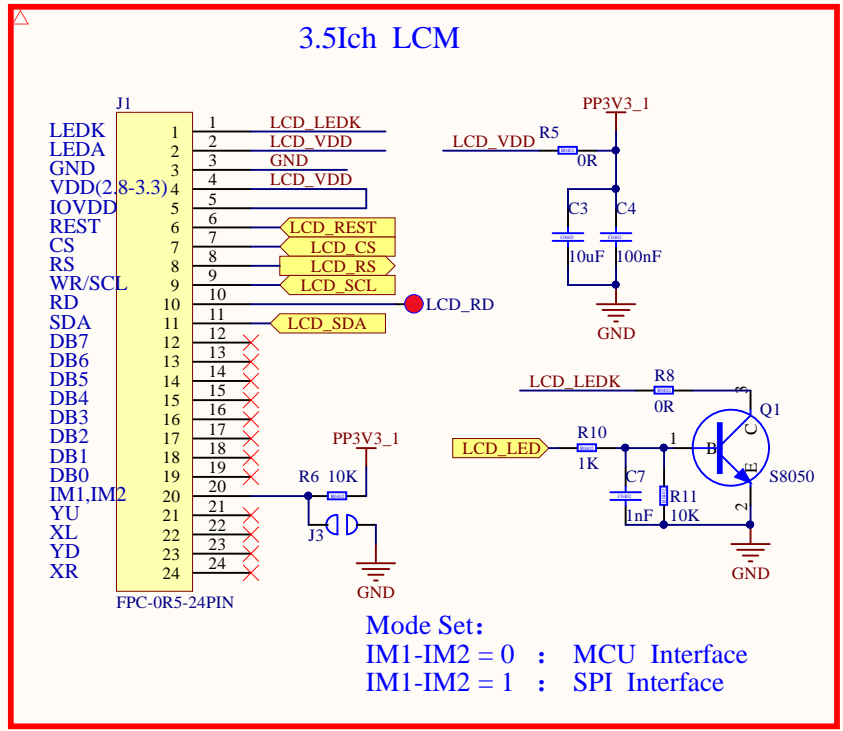
### Interface



### Download Interface



		Project	WTPHMIMainBoard.PrjPcb
		Title	04_Main.SchDoc
Customer	*	Drawn by	*
Version	*	Checked by	*
Sheet of	*	Approved by	*
Date	*	Finished coding	*



WT-LogoN2?

WT-LogoN2-8X5

WT-QR2-10X10?

WT-QR2  
10X10

WT-Add-N2?

WT-Add-N2

		Project	WTPHMIMainBoard.PrjPcb
		Title	05_LCD.SchDoc
Customer	*	Drawn by	*
Version	*	Checked by	*
Sheet of	*	Approved by	*
Date	*	Finished coding	*