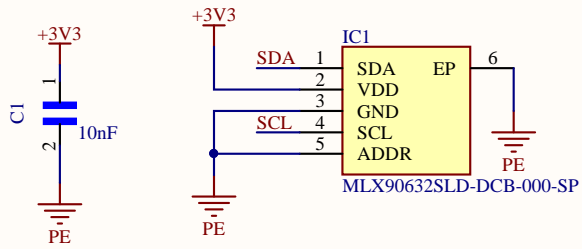
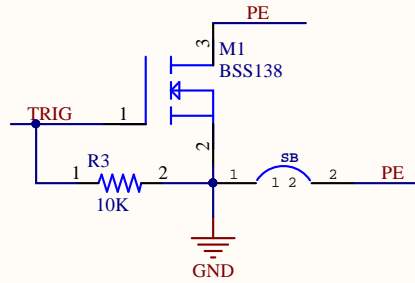


Temperature Sensor -MLX90632SLD

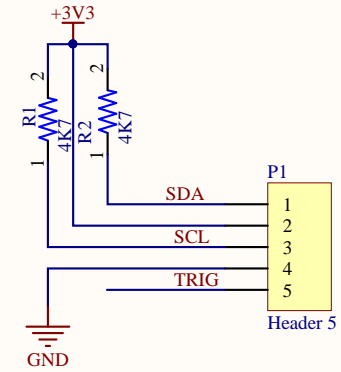


I2C address of the MLX9632 is 0x3A

MLX90632SLD



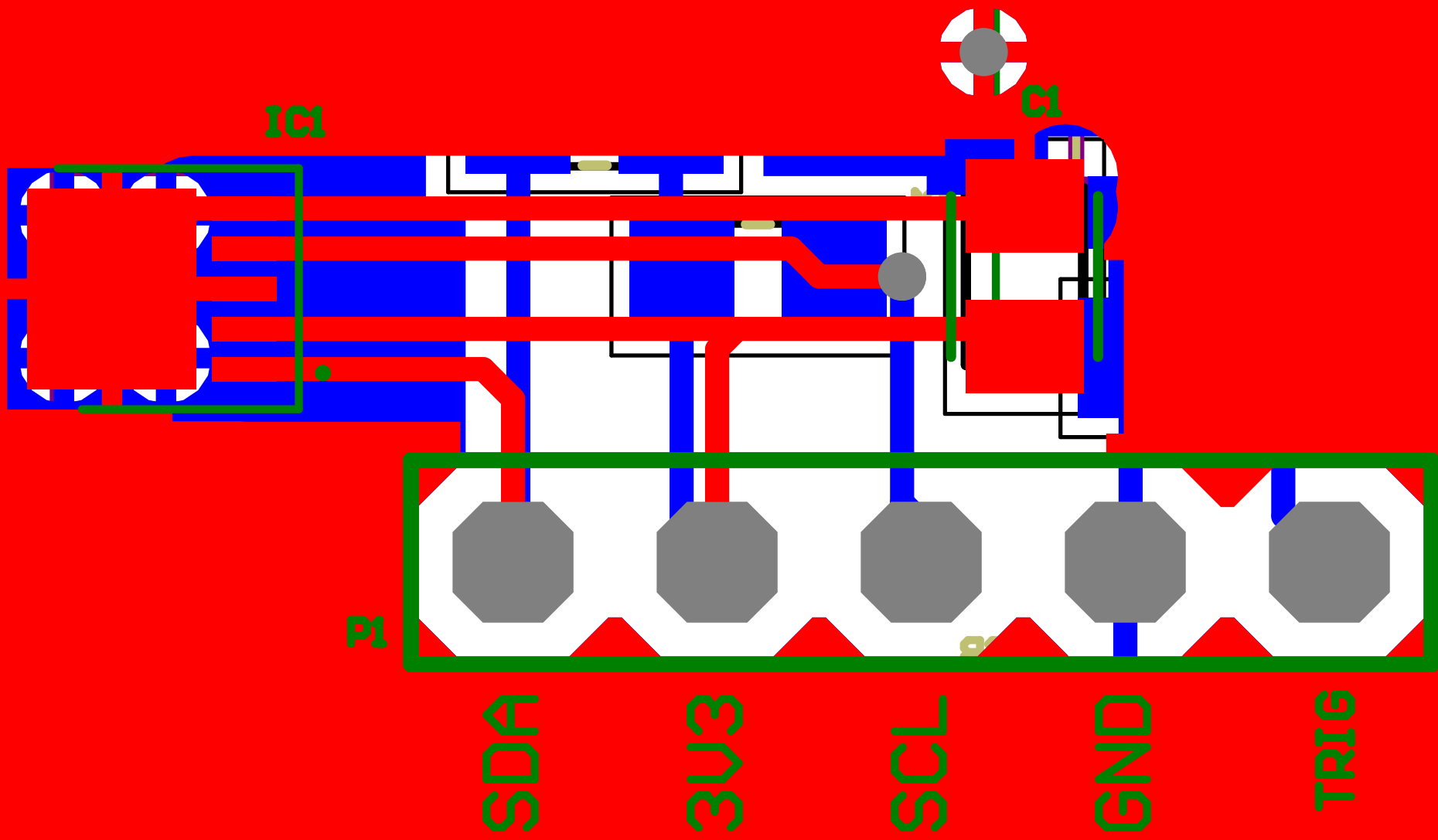
Trigger Circuit



PIN Header

PCB Board Size : 18x25 mm

Upstair technologies LLP	Cannot open file E:\Sagar Work\logo1.bmp
Title: Tempreture Sensor	
Name: TEMP Sensor- MLX90632.SchDoc	
Date: 8/20/2020	
Sheet: 1 of 1	



IC1

C1

R1

SDA

3V3

SCL

GND

TRIG